



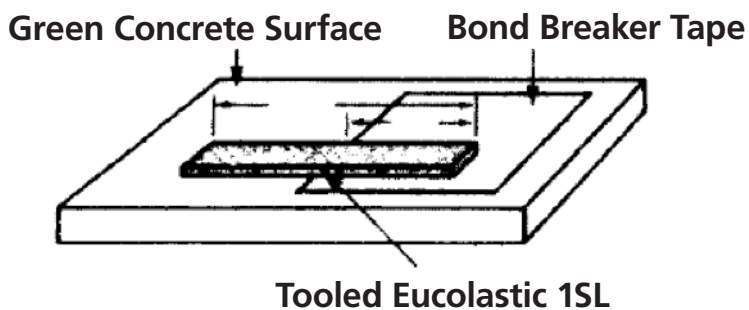
TECHNICAL BULLETIN CP-12

INSTALLATION OF EUCOLASTIC 1SL ON "GREEN" CONCRETE

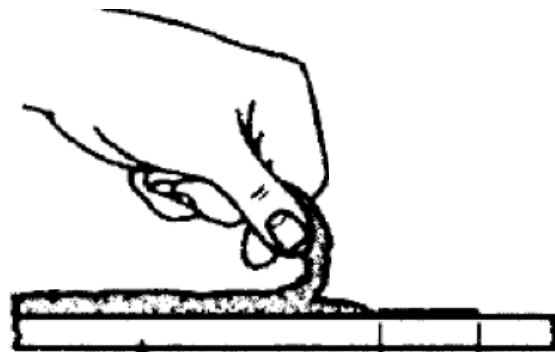
Eucolastic 1SL can be installed in concrete as soon as 24 hours after placement. If a curing compound or cure and seal was applied to the concrete, it must be removed from joint areas before applying the Eucolastic 1SL. Eucolastic 1NS, Eucolastic 2NS, and Eucolastic 2SL cannot be installed in "green" concrete.

To determine the adhesion of Eucolastic 1SL to "green" concrete, a strip of the sealant was poured and tooled on concrete that was 24 hours old. A portion of the sealant strip was placed over bond breaker tape to facilitate testing. The Eucolastic 1SL was allowed to cure for 21 days at 72°F (24°C) and 25% relative humidity. The strip was then pulled back, beginning at the bond breaker tape, at a 90 degree angle to the concrete surface to check for the mode of failure. As shown in the diagram below, the failure was 100% cohesive – the Eucolastic 1SL tore within itself and did not lose adhesion to the concrete.

Test Piece



Cohesive Failure – Excellent Bond to Concrete



Limitations:

- All concrete curing compounds or cure & seals must be removed from areas to be caulked/sealed before installing Eucolastic 1SL
- Do not apply Eucolastic 1SL where there is standing water in, or close to the joints