

posi klip

Head-of-Wall Positive Attachment Deflection Clip



DESCRIPTION

The Posi Klip is a simple, low-cost head-of-wall deflection clip that provides positive attachment while allowing unencumbered movement of the roof or floor deck above. Posi Klips are attached to the inside flange(s) of the ceiling track with two #6 tek screws and engage the short flange of the metal stud. Posi Klips can be used with any stud or track size or gauge.

- Different deflections are handled by varying track depth.
- Locks jamb or king studs at frames while allowing deflection.
- Reinforces any stud to track connection while allowing deflection.

MOVEMENT CAPABILITIES

NON-RATED: When used with deep leg track.

RATED:

- When used with deep leg track in conjunction with fire caulk or spray to achieve a fire rating.
- When used with Fire Trak to strengthen stud to track connection on deflections over 2". **NO fire caulk or spray necessary to achieve fire rating.**

ORDERING

- Posi Klips are available in three sizes:
 - › **XSR**- Extra Long Stud Return
 - › **LSR**- Long Stud Return
 - › **SSR**- Short Stud Return
- Sold in quantities of 100 clips.
- Major Credit Cards are accepted.
- Clip and freight prices subject to change.

SHIPPING

- No freight charge on clip orders sent FedEx Ground inside the Continental United States.
- FedEx Express Saver, 2-Day and Overnight shipping available. Quoted on order by order basis.
- All other freight options quoted on order by order basis.
- No returns on shipped orders.
- Freight prices subject to change.



Posi Klips used with Fire Trak Deflection Track and Firestopping System

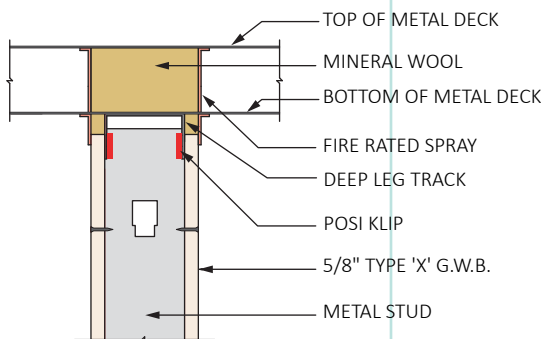
- Posi Klips are only U.L. required for use with the Fire Trak System when the deflection criteria exceeds 2".
- Please reference U.L. Listing HW-D-1011 for joints over 2".



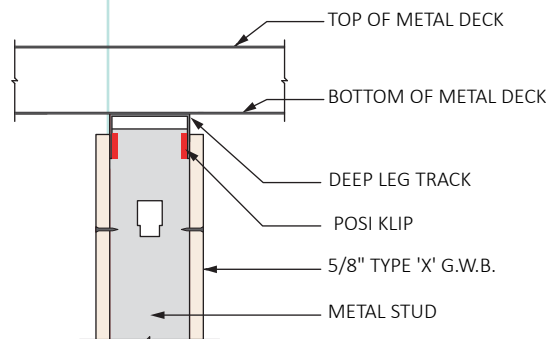
Posi Klips used with Deep Leg Track

- Posi Klips can be used with deep leg track to provide deflection for rated and non-rated walls.

HEAD-OF-WALL DETAILS



Perpendicular to Metal Deck
1/2" Deflection & Extension Typical | 1 Hr. Rating Using Fire Rated Spray



Perpendicular to Metal Deck
1" Deflection | Not Fire Rated

SUBMITTAL APPROVALS

Job Name:	
Contractor:	
Approved By:	Date:

MANUFACTURER

FIRETRAK
CORP

P.O. Box 485
104 Cedar Ave. S.
Watkins, MN 55389

800.394.9875 ph | firetrak.com
877.374.1928 fax | info@firetrak.com