

INTEGRATING FortiFlash® & Aquabar® "B" INTO TUB INSTALLATION

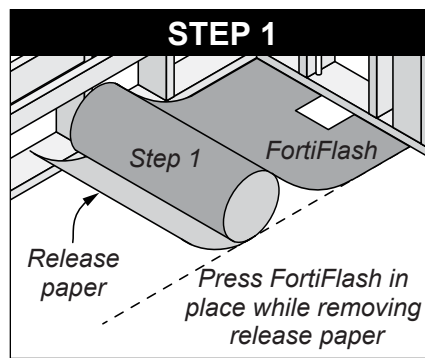
This guide focuses on optional ways to improve upon long accepted ANSI standards and TCNA Handbook methods of tub and shower installations. We are offering improvements for the traditional, most durable method, mortar bed, and for the newer cementitious backer unit (CBU) method so popular today. These improvements help to protect the framing from moisture intrusion.

Framing Requirements: It is the responsibility of the General Contractor to meet all code requirements for framing and plumbing. Also, it's required that any additional installation requirements called for by the tub manufacturer have been met. This includes, but not limited to, structural shear panels, fire and sound rated wall coverings.

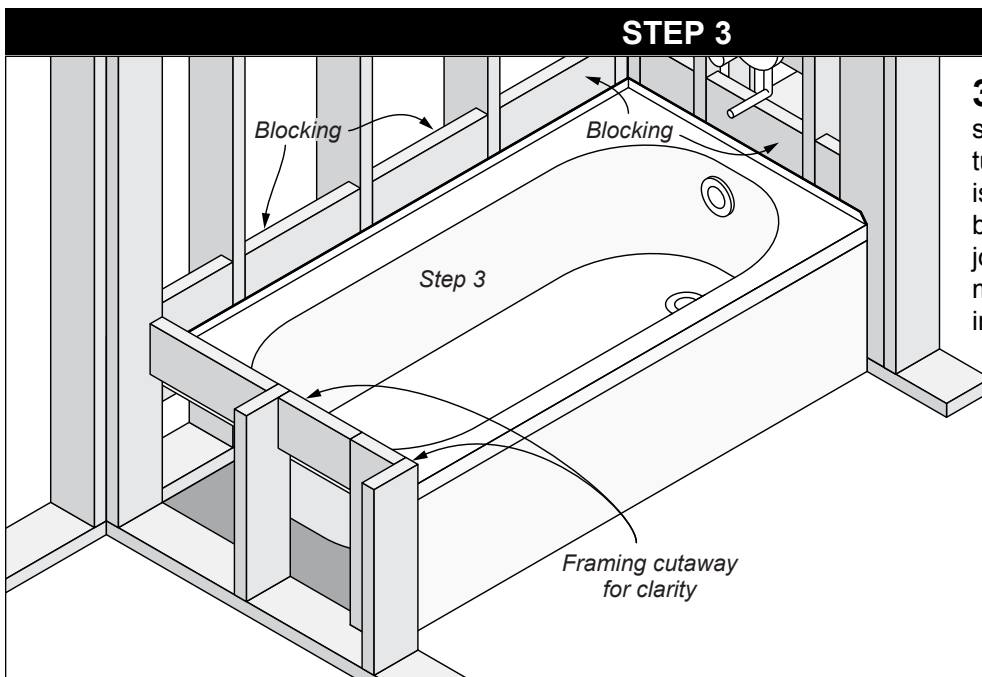
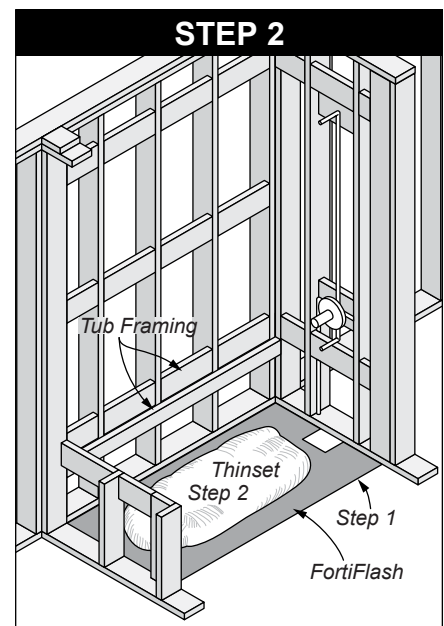
SITE PREPARATION & TUB INSTALLATION

Note: Test fit the tub to ensure that the framing is in proper order. Trace the location of the tub front on the sub floor.

1. Dry fit and trim 36" FortiFlash over tub or shower pan foot print to bottom plate and mark on floor. Then roll up FortiFlash, peel back release paper (Step 1 shown at right) from one end and apply to sub floor, continue peeling back the release paper while unrolling FortiFlash until foot print is completely covered. Roll FortiFlash to ensure a full adhesion to wood sub floor.



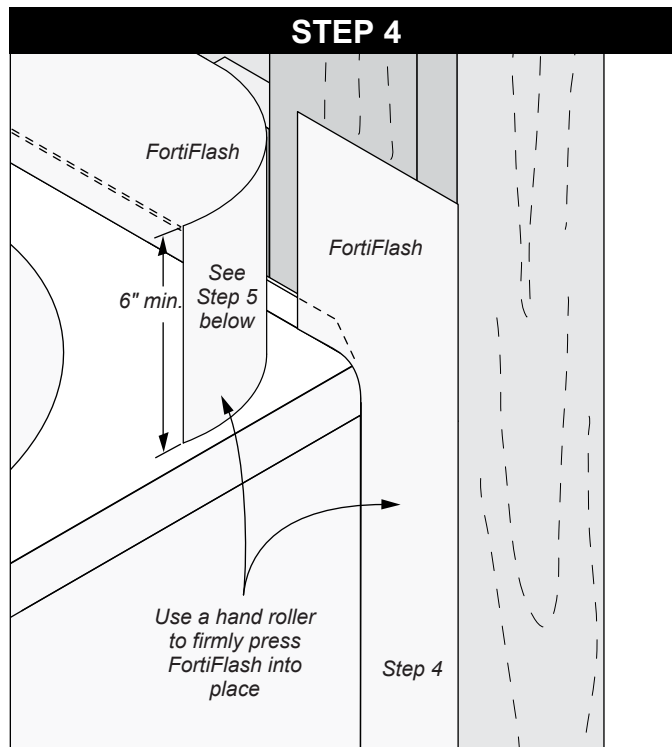
2. If required by tub or shower pan manufacture for support, apply liberal amount of quick setting cement, thinset, or product that tub manufacturer suggests on top of FortiFlash. Then install tub or shower pan following manufacturers installation instructions (Step 3 below).



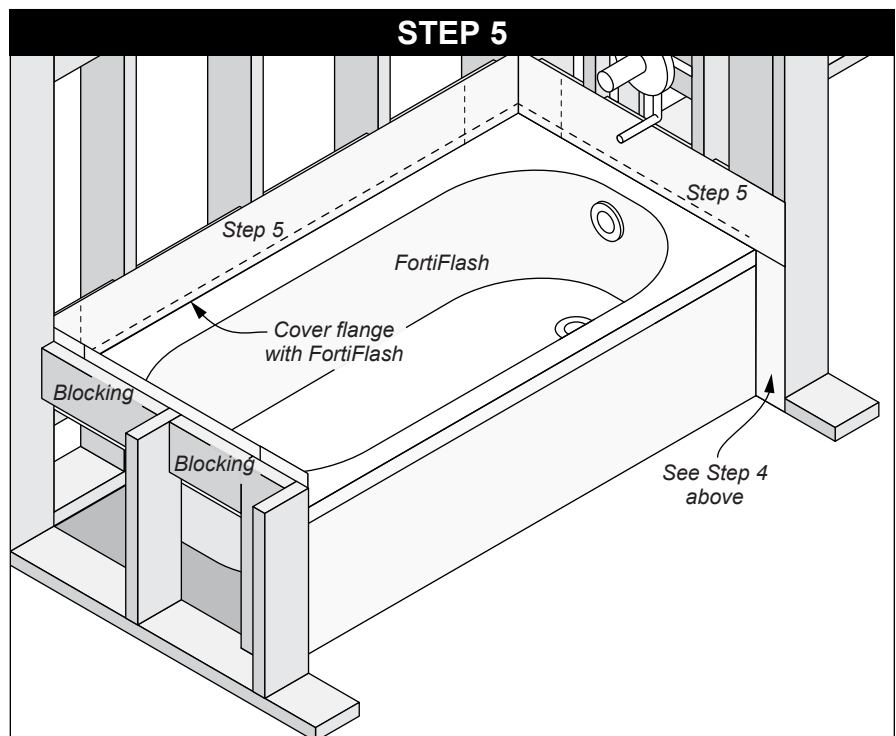
3. Blocking installed between studs as required by CBU and tub manufacturer. FortiFlash is an excellent addition over blocking behind CBU edge joints reducing the risk of rot, mold, or mildew due to moisture intrusion.

FORTIFLASH INSTALLATION

4. Use FortiFlash to protect framing members at front of unit from moisture damage. Dry fit and cut FortiFlash to cover front edge of tub or shower pan. Overlap flange and adjacent framing to a minimum height of 6". Extend outward to completely cover adjacent framing & blocking. After dry fitting, apply FortiFlash with previous peel and stick method - peel back, unroll and stick. Use hand roller and apply pressure to ensure full adhesion.



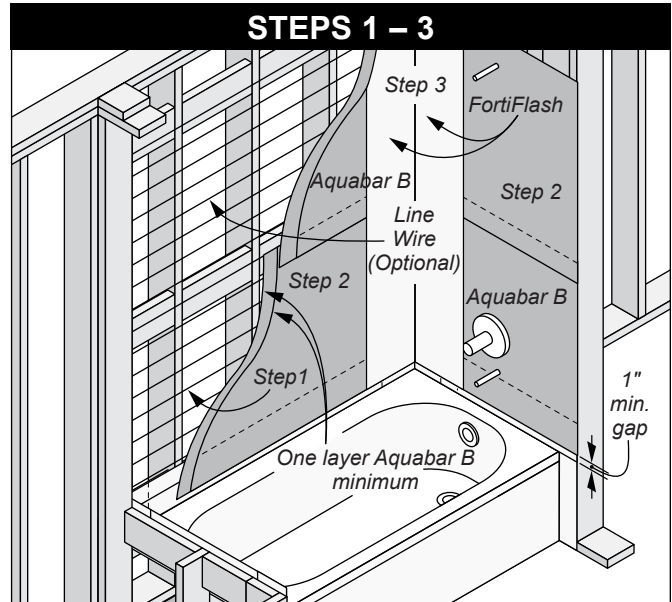
5. To protect framing above tub or pan from possible moisture leaks. Fit and cut to length a minimum 6" width of FortiFlash along the perimeter of the tub, (or shower pan unit) completely covering the flange, blocking, and studs. Also overlapping FortiFlash installed at front of unit in step 4. After dry fitting, peel and stick FortiFlash and use a hand roller to firmly press in place.



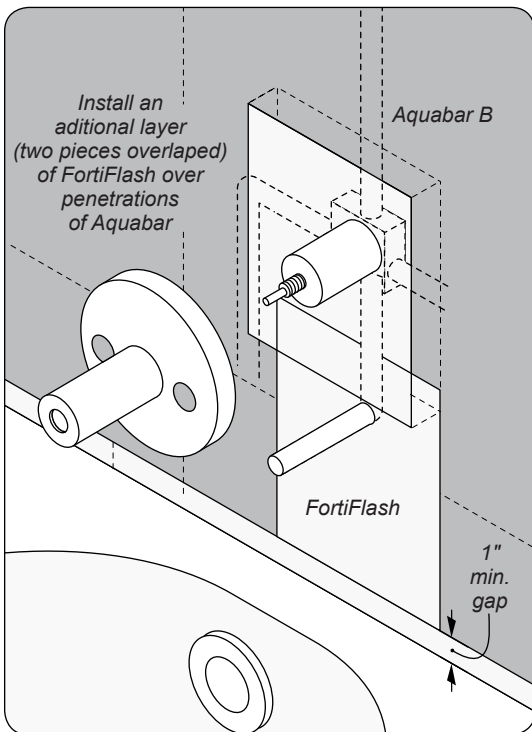
MORTAR BED ENVIRONMENTS

LINE WIRE & AQUABAR "B"

1. Aquabar "B" may be installed over plywood and other hard surfaces. As well as over open studs. Some contractors may want to use a support material, such as line or chicken wire, but is not required. Aquabar "B" cleavage membrane is required if a solid backer of water resistant gypsum or plywood rated Exposure 1 or Exterior is used. Be sure not to expose the gypsum to temperatures exceeding 125°F. See ANSI A108.1- 2.4.2- thru 2.4.5 and ANSI A108.02-3.8.
2. Starting at the outer blocking and minimum 1" above height of the tub, roll out a continuous layer of Aquabar "B". This layer starts at either end of the tub, then goes across the back, and out to the blocking at the other end of the tub. An identical upper layer of Aquabar "B" overlaps the lower by a minimum of 4".
3. Centered in both corners of the tub install a minimum 6" strip of FortiFlash from the tub flange to the top of the backer board field. This gives additional corner strength to the moisture-resistant membrane, protects Aquabar "B" during the metal lathe installation and provides greater moisture protection.

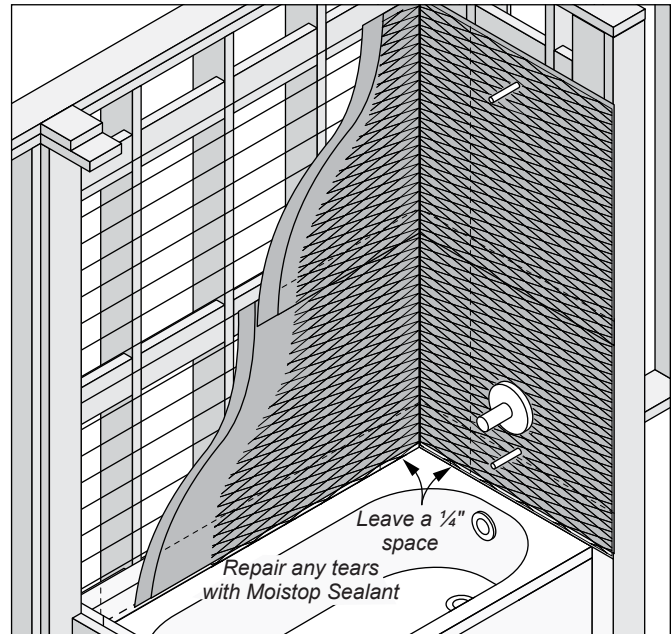


PLUMBING DETAIL



For optimal moisture management, install an additional layer of FortiFlash over base Aquabar "B", at the valve and faucet stub outs.

METAL LATH

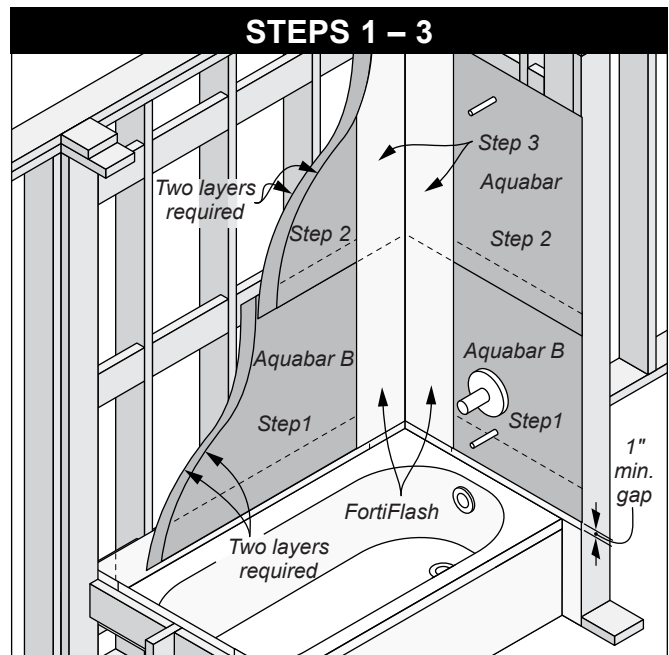


4. Install metal lath - reinforced wire mesh (aka, expanded wire mesh, etc) meeting ANSI A108-3.3.2, and ASTM C847 or other approved alternative meeting ASTM C933 or C1032. Metal lath must be installed over Aquabar cleavage membrane following local code, manufacturer's requirements and ANSI A108-3.3 codes and regional standards. Repair any tears after installation with Moistop® tape or Moistop Sealant. You are then ready to apply mortar to metal lath. Leave 1/4" gap between tub and bottom edge of mortar. Fill gap with waterproof backer rod and flexible adhesive sealant. Note: Moistop Sealant is not appropriate for this use.

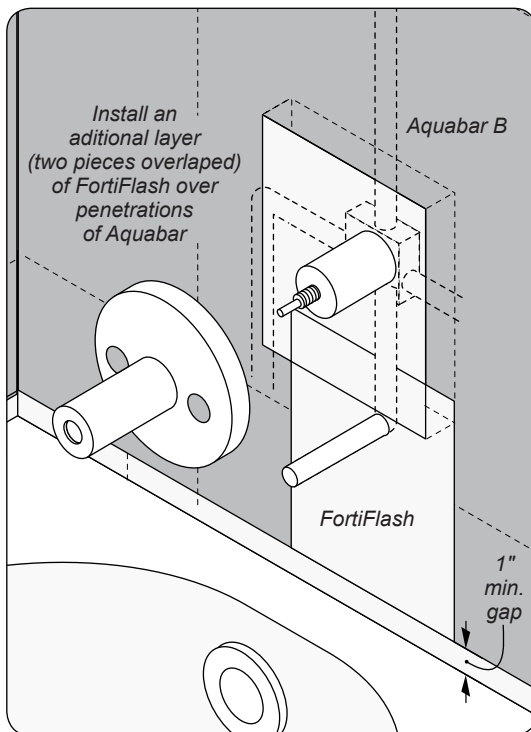
BACKER BOARD ENVIRONMENTS

AQUABAR "B" & FORTIFLASH

1. Starting at the outer blocking and height of the tub flange roll out a continuous layer of Aquabar "B". This layer starts at either end of the tub, then goes across the back, and out to the blocking at the other end of the tub.
2. An identical upper layer of Aquabar "B" overlaps the lower by a minimum of 4".
3. Centered in both corners of the tub install a minimum 6" strip of FortiFlash from the tub flange to the top of the backer board field. This gives additional corner strength to the moisture-resistant membrane, protects Aquabar "B" during the backer board installation and provides greater moisture protection.

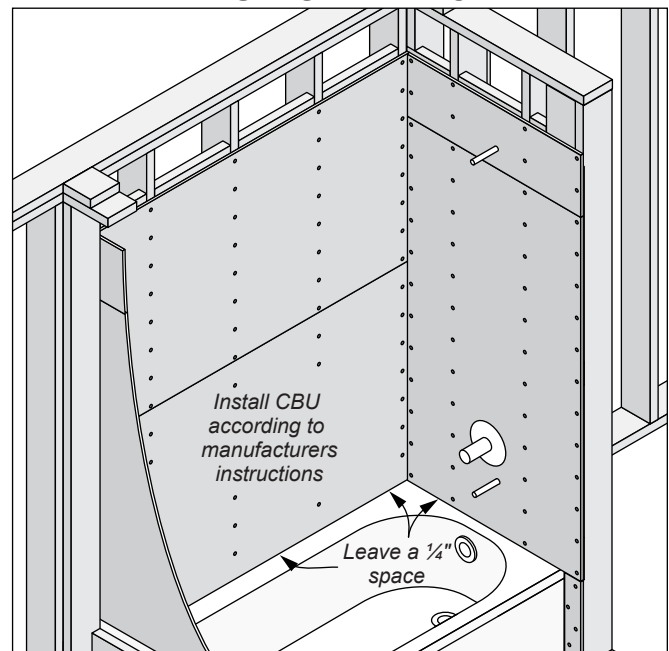


PLUMBING DETAIL



For optimal moisture management, install an additional layer of FortiFlash over base Aquabar "B", at the valve and faucet stub outs.

CBU INSTALLATION



To avoid wicking, leave a 1/4" space between the tub and bottom edge of CBU as recommended by CBU manufacturers, TCNA handbook and local building codes. Trim any Aquabar extending beyond edge of CBU. Fill gap with waterproof backer rod and flexible adhesive sealant. You are then ready to install tile or stone.

