

# Fortifiber Building Systems Group® HIGH PERFORMANCE WINDOW FLASHING SYSTEM

This system from **Fortifiber Building Systems Group** raises the standard for flashing windows and doors. The system starts with your choice of one of two tried and true **Fortifiber** products, **Moistop PF®** or **Moistop neXT®**. This base layer of flashing is mechanically attached (large-headed nails).

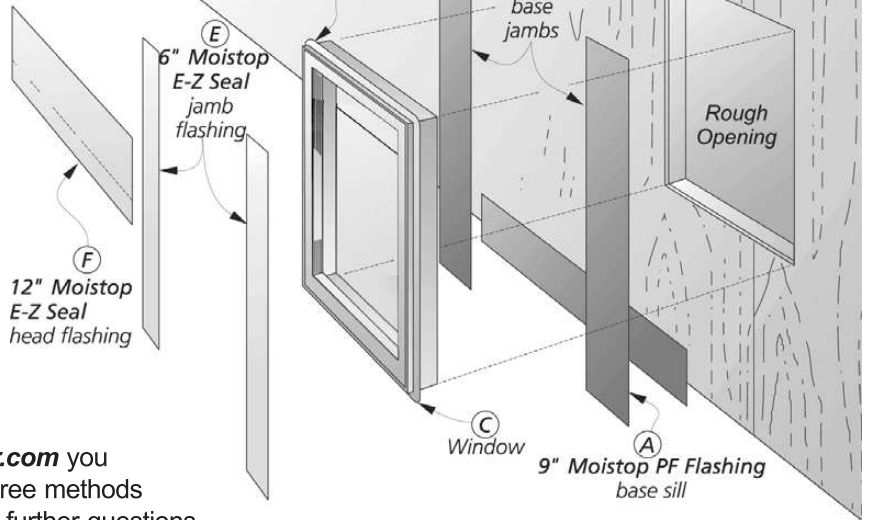
Next, the window is installed using the proper fasteners and **Moistop® Sealant**.

Finally, the jambs and head flange are covered with **Moistop E-Z Seal®**, **FortiFlash® Waterproof Flashing**, **FortiFlash Commercial Waterproof Flashing** or **FortiFlash Butyl Waterproof Flashing**.

The High Performance Window Flashing System depends on this sequential installation for its success.

Also, this system is just one of four proven methods for flashing windows. At [www.fortifiber.com](http://www.fortifiber.com) you can find detailed instructions for the remaining three methods (**Method A, A1 and Method B**). If you have any further questions, please call our Toll Free Technical Hotline at 800-773-4777.

Note: You can use FortiFlash, FortiFlash Commercial or FortiFlash Butyl in place of E-Z Seal



Note: You can use Moistop neXT in place of Moistop PF in base flashing applications.

Listed below are the sizes and lengths available of these **Fortifiber** products:

Mechanical flashing for base layer

- **Moistop neXT Flashing 6, 9 and 12 inch x 200' rolls**
- **Moistop PF Flashing 6, 9, 12 and 18 inch x 300' rolls**

Sealant for window flange

- **Moistop Sealant (Exceeds AAMA Standards)**

Self-adhesive flashing for the jambs and head flange

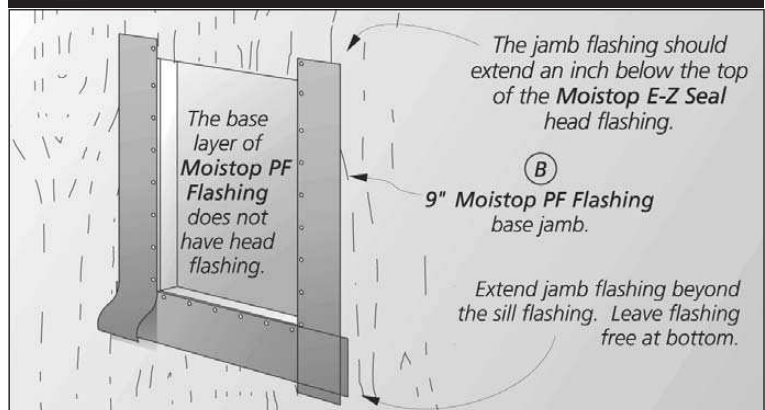
- **Moistop E-Z Seal Self Adhesive Flashing 6, 9 and 12 inch x 75' rolls**
- **FortiFlash Waterproof Flashing 4, 6, 9, 12, 18 and 36 inch x 75' rolls**
- **FortiFlash Commercial Waterproof Flashing 6, 9, 12 and 18 inch x 75' rolls**
- **FortiFlash Butyl Waterproof Flashing 4, 6, 9 and 12 inch x 75' rolls**

## 1 SILL FLASHING



Once the rough opening is prepared, proceed by attaching **Moistop PF Flashing (A)** flush along the bottom of the rough opening extending the flashing beyond the jamb flashing to be applied later. Be sure not to fasten the lower edge of the flashing so that a Fortifiber weather-resistant barrier may be slipped up underneath the flashing in a weather-board fashion.

## 2 JAMB FLASHING

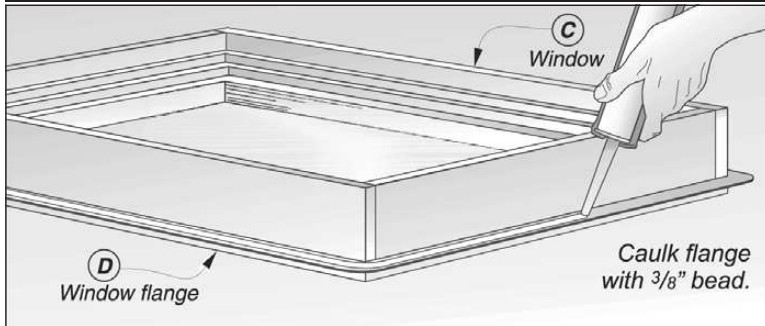


Cut a strip of **Moistop PF Flashing** long enough to extend beyond sill flashing already in place and above where the **Moistop E-Z Seal** head flashing will intersect. Next, attach the jamb flashing (**B**) flush to the edge of the rough opening leaving the bottom free. Repeat above steps for the remaining jamb.

**CONTINUED...**

CONTINUED FROM FRONT...

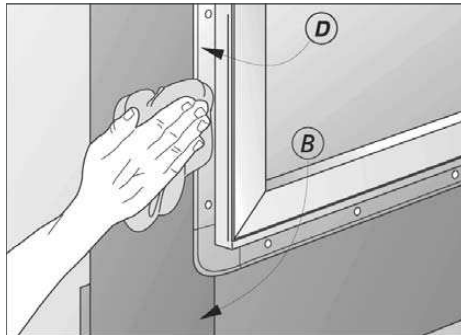
### 3 WINDOW INSTALLATION



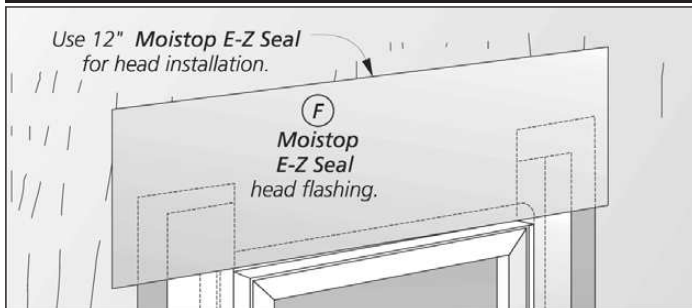
Before installing the window (C), apply a continuous 3/8" bead of **Moistop Sealant** to the perimeter of the rough opening or to the backside of the mounting flange (D) of the window. Install the window according to the window manufacturer's instructions.

### 4 SURFACE PREP

Wipe the window flange (D) and base **Moistop PF Flashing (B)** layer clean before applying **Moistop E-Z Seal**.



### 6 HEAD FLASHING



Cut a strip of **Moistop E-Z Seal** for the head (F) of the window extending beyond the jamb flashing already in place. Place the **Moistop E-Z Seal** on top of the flange (D) of the window with the adhesive strip overlaying the flange and seal by applying pressure along the strip. If desired, staples or sealant may be used to secure the top corners of the head flashing in place.

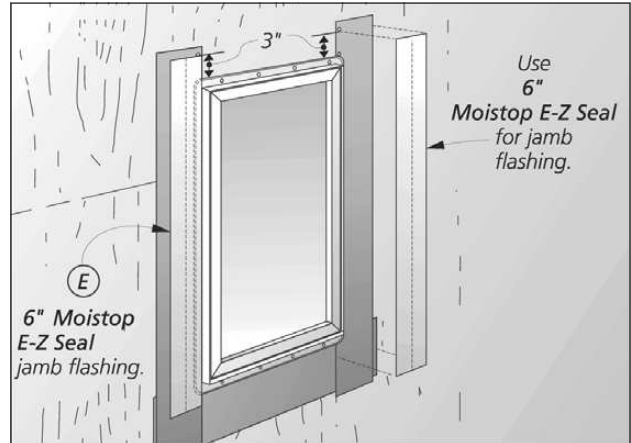
**Limitations:** For optimum adhesion, **Moistop E-Z Seal**, **FortiFlash** and **FortiFlash Commercial** flashings should be applied at temperatures between 40° F (4.4° C) and 120° F (48.9° C); **FortiFlash Butyl** may be applied at temperatures between 25° F (3.9° C) and 125° F (51.7° C). Be cautious about using **FortiFlash** where it can be exposed to temperatures above its Service Temperature such as hot climates or behind fiber cement and metal sidings that absorb a significant amount of heat. **FortiFlash**, **FortiFlash Commercial** and **FortiFlash Butyl** are the only Fortifiber flashing products that can be installed horizontally or at a slope of less than 60°. Where installed horizontally or with a slope of less than 60° do not use fasteners. Product should be covered as soon as possible. Inspect product to insure it is free of any protrusions or damage which may compromise its moisture-resistive properties. **FortiFlash is not compatible with EPDM or flexible (plasticized) Polyvinyl Chloride (PVC) based products. FortiFlash and Moistop E-Z Seal are not compatible with some sealants. Consult with sealant manufacturer for compatibility information.** Direct exposure of sealant to the adhesive side of **FortiFlash** or **Moistop E-Z Seal** can be detrimental if the amount of sealant exceeds what is specified above. Please follow these recommendations regarding location and amount of sealant to be used. Fortifiber strongly recommends against the practice of using a "knockdown bead of sealant," or "buttering the flange" with sealant, because this amount of sealant is excessive and unnecessary.

### USING SELF ADHESIVE FLASHING



A clean rag and a sharp knife are all that is required for installing **Moistop E-Z Seal**, **FortiFlash** or **FortiFlash Butyl** flashings. See steps 4 and 5 for details.

### 5 JAMB FLASHING



Using a sharp knife, cut the desired length of **Moistop E-Z Seal** for the jamb (E) of the window, extending beyond the flange (3" minimum top and bottom). Place the **Moistop E-Z Seal** on top of the flange (D) and seal by applying pressure along the strip. Repeat for the other jamb.

### OVERVIEW



Call 1-800-773-4777 for Technical Assistance  
[www.fortifiber.com](http://www.fortifiber.com)



**Fortifiber Building Systems Group®**

Protecting Your World from the Elements®

NATIONAL SALES OFFICE - Fernley, NV