

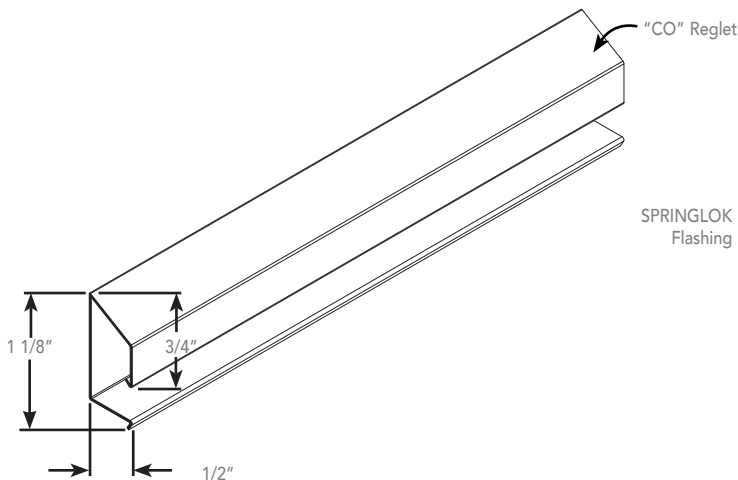
Used in poured-in-place concrete construction, this reglet is provided with a protective foam backer rod to prevent grout and concrete from entering the reglet opening.

**FEATURES AND BENEFITS**

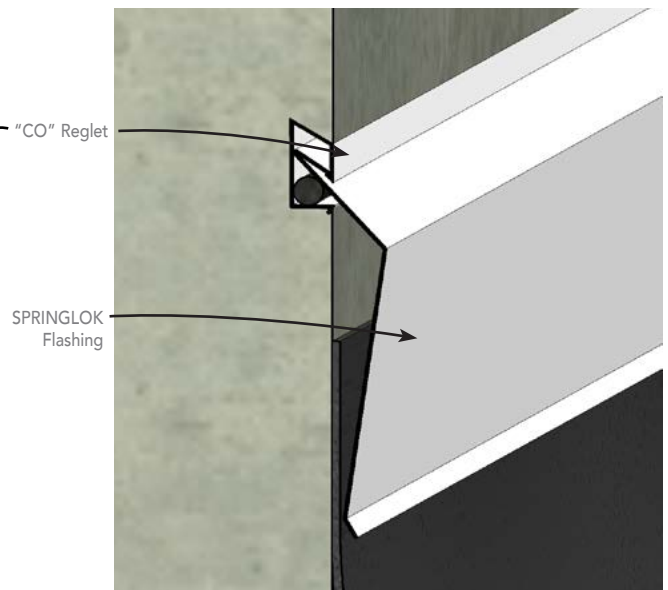
- Connector clips are included to provide positive alignment at joints
- Special staples are provided to simplify installation
- 1" end lap allows for proper alignment and eliminates leaky butt joints
- Roll-formed to ensure precise fit every time

**PRODUCT DESCRIPTION:**

<u>MATERIAL</u>	<u>THICKNESS</u>	<u>FINISH</u>	<u>COLOR</u>
Galvanized Steel	26 gage	Standard Zinc Finish	N/A
Copper	16oz	Standard Uncoated Finish	N/A
Aluminum	0.025"	Polyester Coating	Gray
Stainless Steel, Type 304	0.020"	Standard Uncoated Finish	N/A



PRODUCT DETAIL



ASSEMBLY DETAIL

## SPRINGLOK FLASHING SYSTEM FUNCTIONALLY UNIQUE.

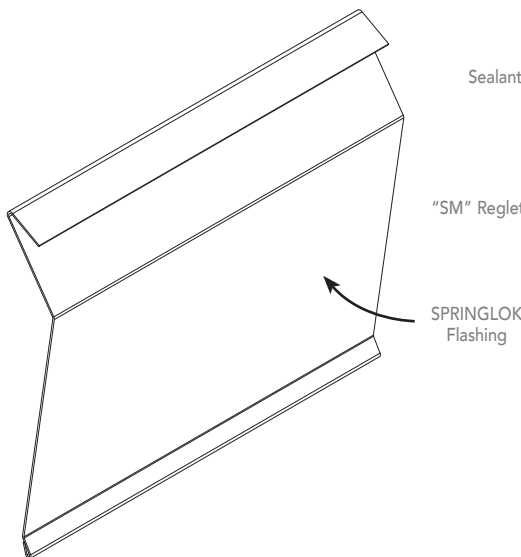
Fry Reglet comprehensive selection of moisture prevention products offer the ultimate in protection from the elements. Available nationwide in a variety of materials and finishes, Fry Reglet offers five pre-engineered flashing systems tailored for specific substrates - all designed, tested and proven to keep wind and moisture from getting under the roof. Plus, Fry Reglet provides a complete solution with drawings, installation instructions and the best technical support in the industry.

### FEATURES AND BENEFITS

- Tested in accordance with **ASTM D3161 - Wind Resistance** to withstand *110 MPH sustained wind velocity for two hours without evidence of uplift (Class F)*
- "The Springlok flashing system is designed to hold the flashing tightly against the parapet wall".
- Reglets and flashing are roll formed to ensure precise fit and finish every time.
- Embossed end details precisely align each profile and provide an overlap for added protection against water penetration.
- Five reglet profiles are available for any type of commercial construction.

### PRODUCT DESCRIPTION:

MATERIAL	THICKNESS	FINISH	COLOR
Galvanized Steel	24 gage	Standard Zinc Finish	N/A
Galvanized Steel	26 gage	Standard Zinc Finish	N/A
Copper	16oz	Standard Uncoated Finish	N/A
Aluminum	0.025" / 0.040"	Polyester Coating	Gray
Stainless Steel, Type 304	0.020"	Standard Uncoated Finish	N/A



**PRODUCT DETAIL**



**ASSEMBLY DETAIL  
(SHOWN WITH SM REGLET)**