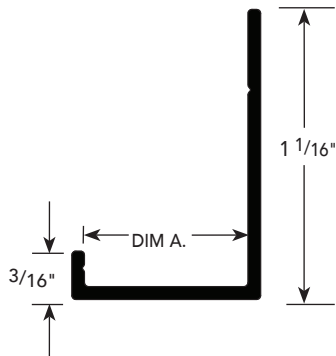


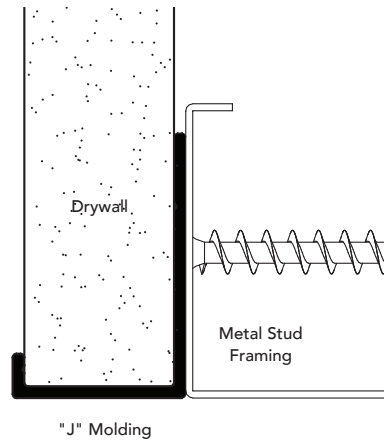
PRODUCT DETAIL



INSTALLATION DETAIL / Cross Section

DC.7

"J" MOLDING



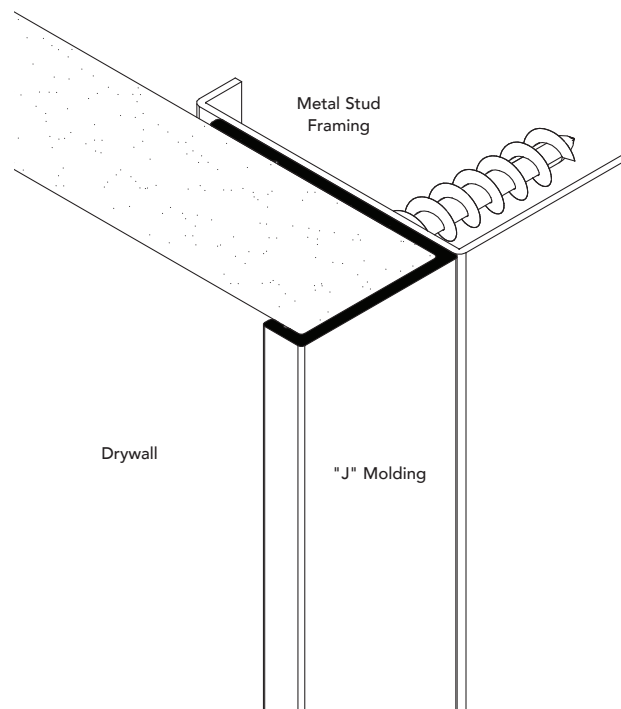
USAGE

Fry Reglet "J" Molding provides a clean, attractive termination for drywall or wood paneling. "J" section receives wall finish and conceals edge with no taping required.

GUIDE SPECIFICATION

Where indicated on drawings, Fry Reglet "J" Molding, as manufactured by Fry Reglet Corporation, shall be installed. Aluminum shall be extruded alloy 6063 T5, with chemical conversion coating, clear anodized or other specified finish. Refer to finish section.

INSTALLATION DETAIL / ISO View



SIZES

DIM A. "J" DEPTH	NUMBER
1/2"	JDM-50
5/8"	JDM-625