

FRY REGLET

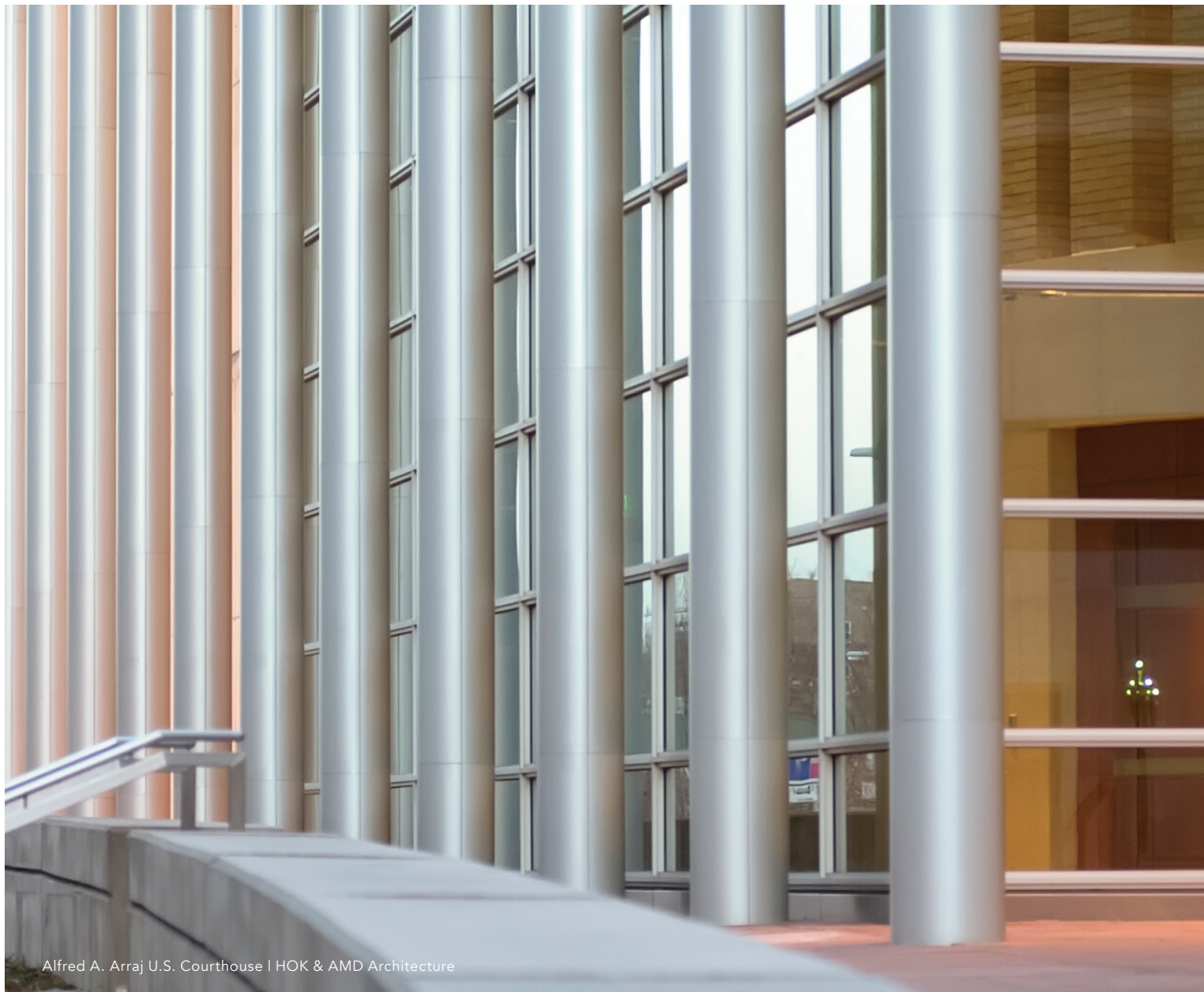
COLUMN COVER SYSTEMS



ABOUT

Explore highly customizable Column Cover Systems for interior and exterior applications. Choose from a wide range of materials, colors, and finishes. Get the shape you want and discover joints in lit and unlit options. Column Cover Systems can also be outfitted with base and ceiling transition profiles.

- Circular, elliptical, polygonal, air foil, and racetrack shapes
- Aluminum, Stainless Steel, and Galvanneal Steel material options
- Wide range of color, finish, and pattern options
- Lighting Systems compatible for LED integration
- Incorporate tech for wayfinding, power supplies, and more
- Column cover skins come in maximum 12' lengths



Alfred A. Arraj U.S. Courthouse | HOK & AMD Architecture





ATTACHMENT SYSTEMS & FINISHES

ATTACHMENT SYSTEMS

We offer a variety of column cover attachment systems for different use cases.

- **KS:** Key Slot
- **KSR:** Key Slot Reveal
- **SD:** Small Diameter
- **FF:** Field Finished
- **E:** E-Clips

FINISHES

We offer the following standard finish options.

- **Stainless Steel Standards:** #4 Brushed, #8 Mirror
- **Aluminum Standards:** Mill Finish (Raw), Powder Coated, Kynar Coated
- **Galvanneal Steel Standards:** Mill Finish (Galvanneal), Powder Coated

Custom powder coat and kynar colors available. Material pattern and texture options available. Please consult with customer service for details.

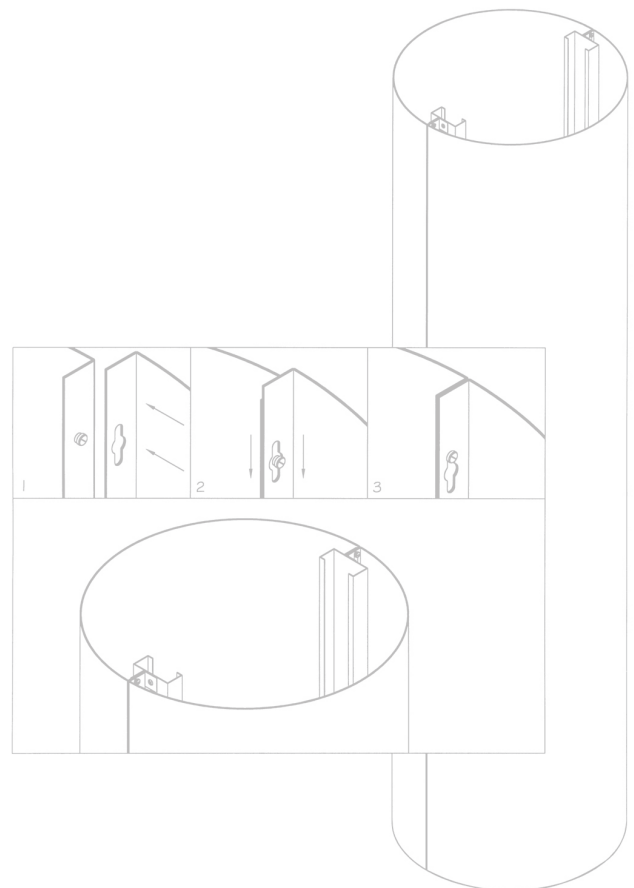


KS: KEY SLOT

DETAILS

Column covers with a KS connection provide a vertical butt joint while providing efficient installation and access to the interior of the system.

- Requires 3/4" head clearance or 3/4" reveal for installation and lift off
- Minimum diameter 12"
- If smaller diameter is required, refer to SD connection
- Installed by securing posts to existing structural column or attaching directly to standard drywall studs

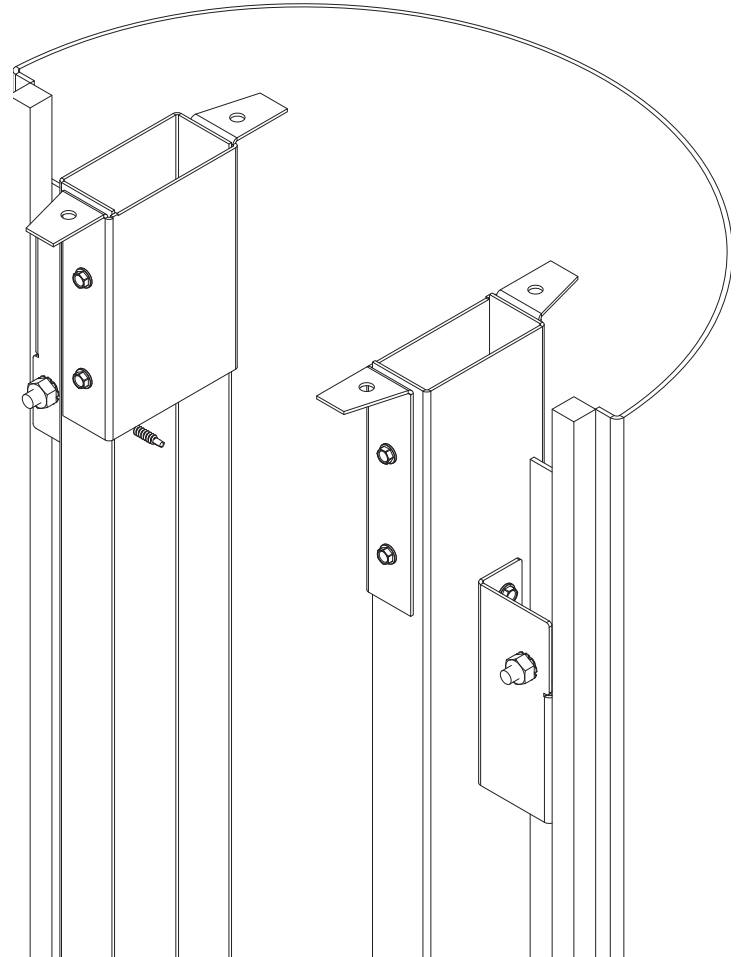


KSR: KEY SLOT REVEAL

DETAILS

Column covers with a KSR connection provide a vertical joint with a 1/2" reveal while providing access to the interior of the system.

- Requires 3/4" head clearance or 3/4" reveal for installation and lift off
- Minimum diameter 12"
- If smaller diameter is required, refer to SD connection
- Installed by securing posts to existing structural column or attaching directly to standard drywall studs

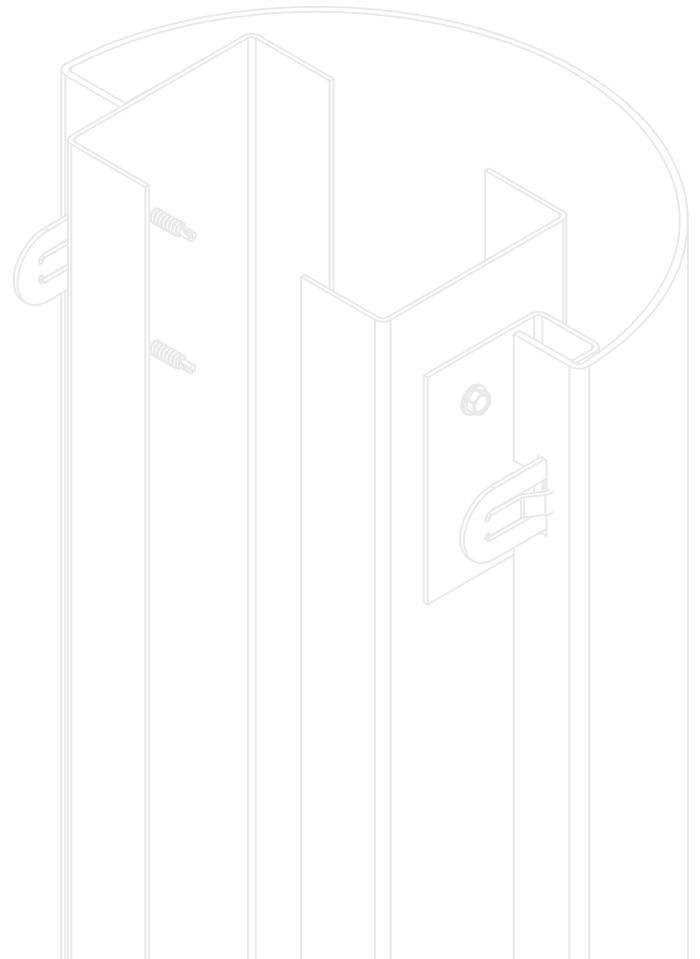
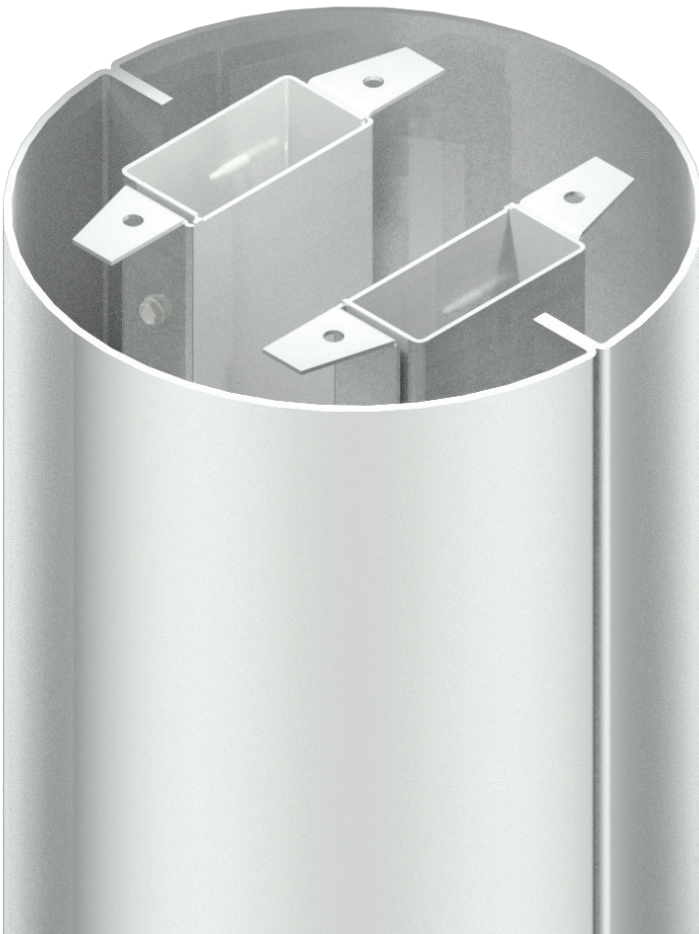


SD: SMALL DIAMETER

DETAILS

Column covers with an SD connection provide a vertical butt joint where space is limited.

- Only available in 8-12" diameters
 - * 8-10" diameters only available in painted or mill finish aluminum
 - * 11" diameter only available in painted or mill finish aluminum and galvanized steel
 - * 12" diameter available in aluminum, galvanized steel, and stainless steel
- System functions with a push-and-lock method rather than hanging/attaching to a clip
- Installed by securing posts to existing structural column or attaching directly to standard drywall studs

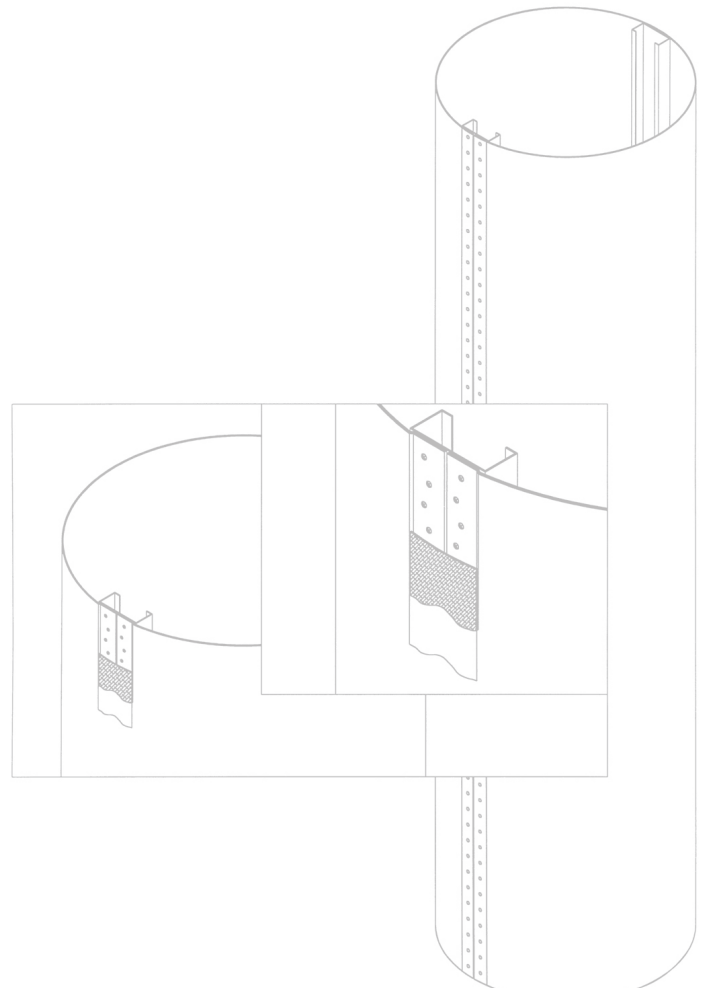
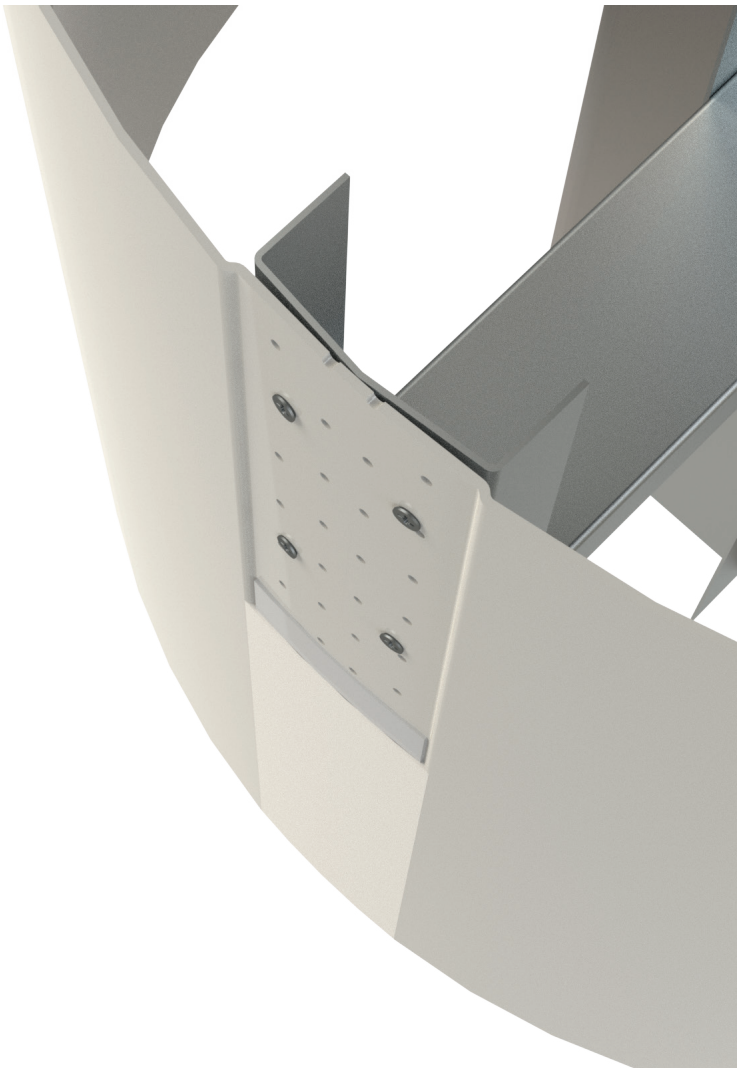


FF: FIELD FINISHED

DETAILS

Column covers with an FF connection provide a seamless look while using a tape and joint compound the installer applies in the field.

- Minimum diameter 8"
 - * 8-10" diameters only available in painted or mill finish aluminum
 - * 11"+ diameter only available in painted or mill finish aluminum and galvanized steel
- Installed by securing posts to existing structural column or attaching directly to standard drywall studs

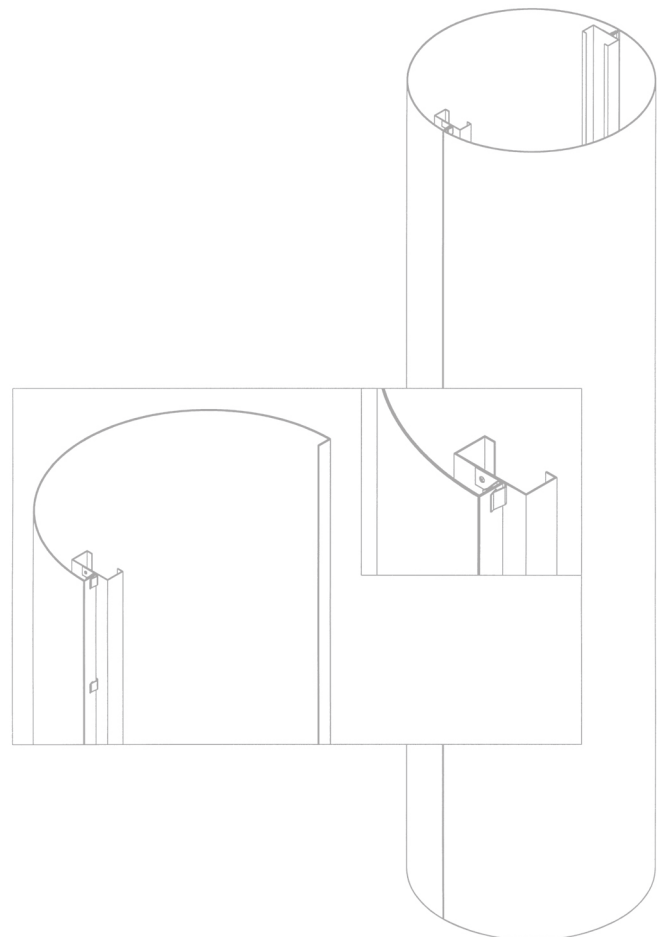


E: E-CLIPS

DETAILS

Column covers with an E connection provide a vertical butt joint while providing efficient installation without interior system access.

- Minimum diameter 16"
- If smaller diameter is required, refer to SD, KS, or KSR connection
- Installed by securing posts to existing structural column or attaching directly to standard drywall studs

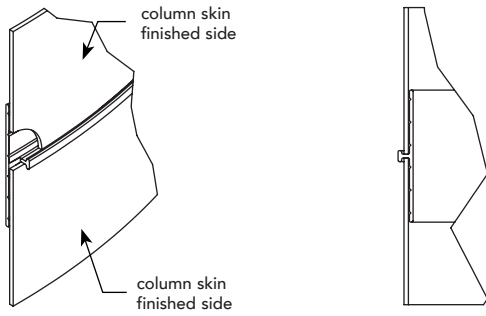


EX JOINTS

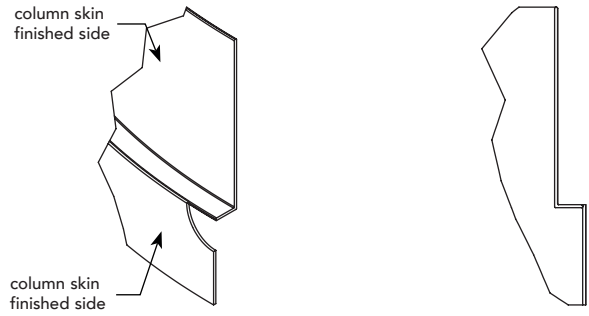
"EX" = "EXTRUDED"

Metal U-Channel that closes the gap between two adjacent, same-sized column cover skins and creates a reveal.

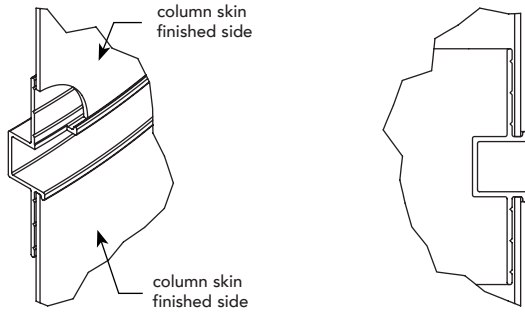
EX Stack Track



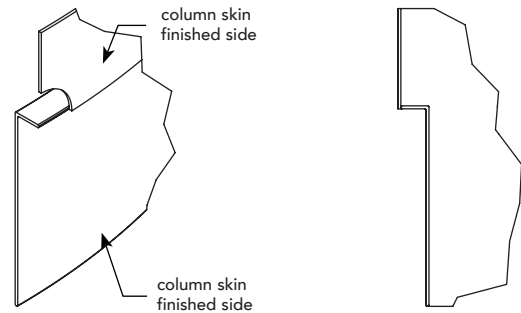
EX Top



EX Reveal Track



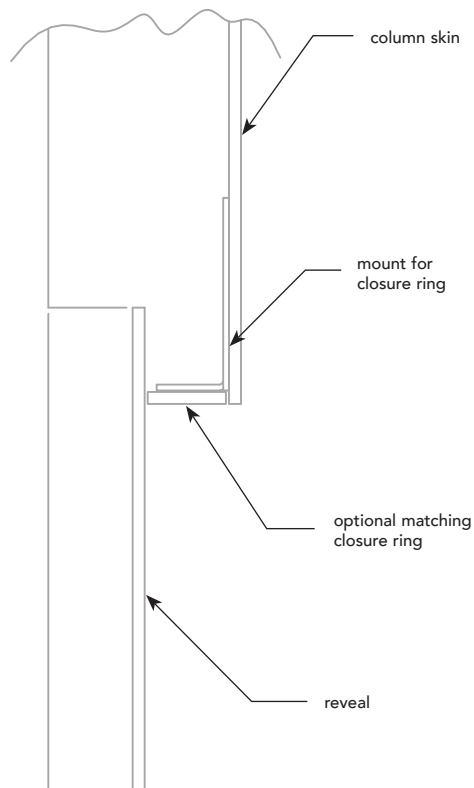
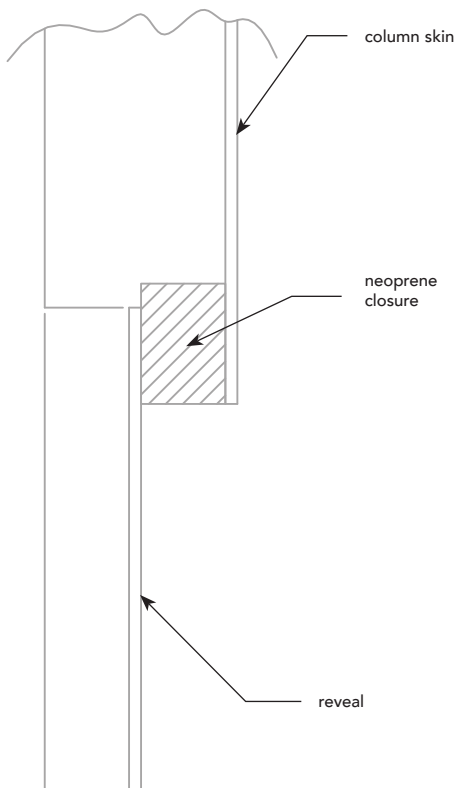
EX Base



CLOSURES

A closure is required when an inset column cover skin is used to create a reveal.

- **Neoprene Option:** Neoprene is the seam of a closed-cell (nonporous) foam gasket that closes the gap created from a reveal of two different sized skins.
- **Metal Option:** A metal piece that closes the gap of a reveal created by two column cover skins. Metal can be finished to match adjacent column cover skins.



** Details may vary depending on use case.*

CEILING TRANSITIONS

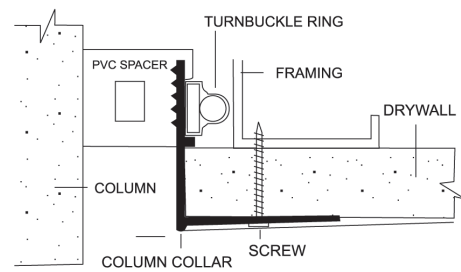
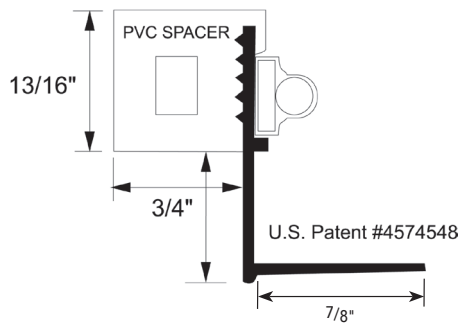
COLLARS

Column collars create a reveal at the transition between the column cover and the ceiling. A white or dark bronze PVC spacer ensures assembly without light leaks. Collars are available in clear anodized, powder coated, and chem film finishes.

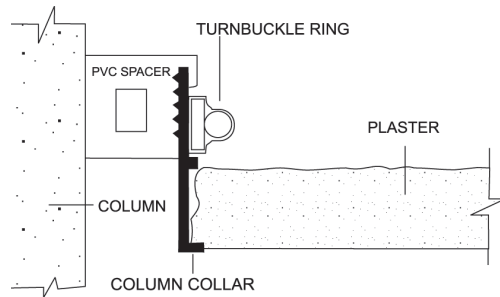
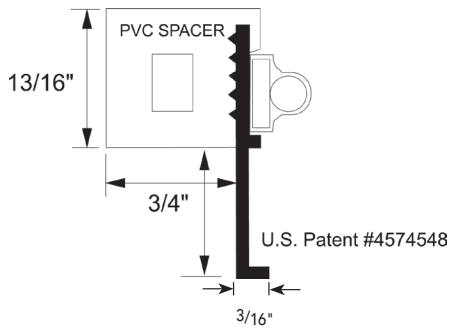
SIZES

Collars are manufactured to fit round column covers in 10"+ diameters.

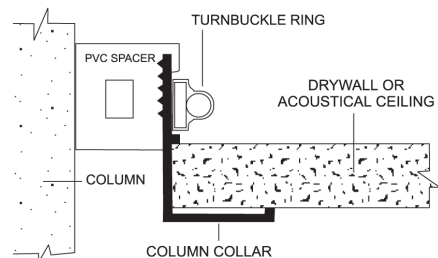
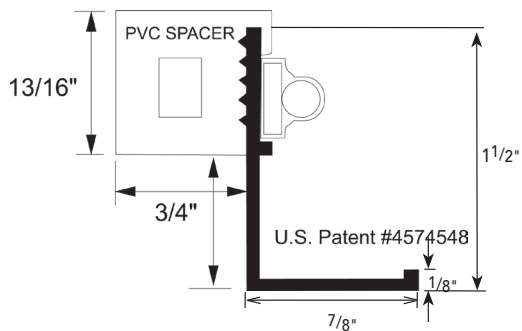
DRYWALL



PLASTER



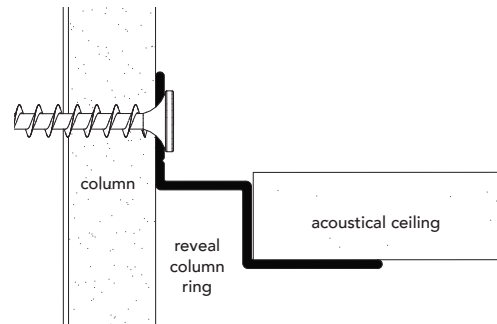
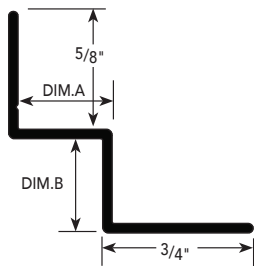
ACOUSTICAL



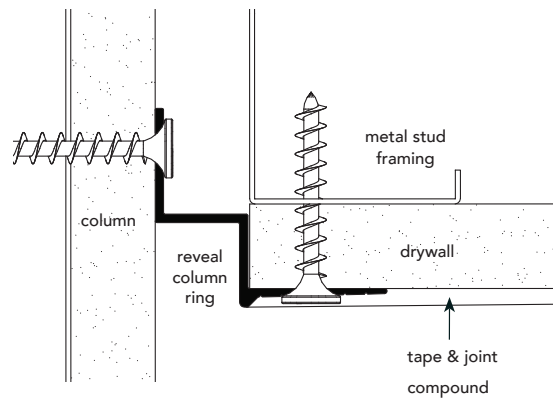
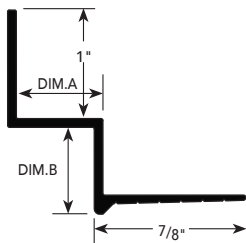
RINGS

Column rings complete the transition between a column cover and the ceiling with reveal options based on profile selection. Rings are available in clear anodized, powder coated, and chem film finishes.

ACOUSTICAL (WDM / WRM)



DRYWALL (DRWT)



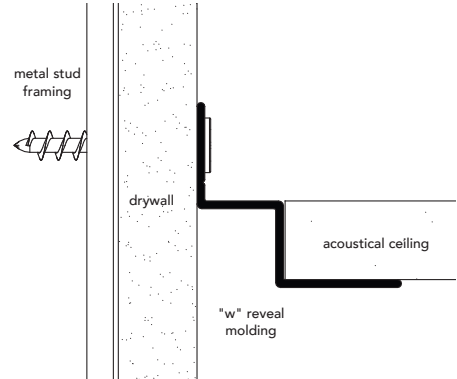
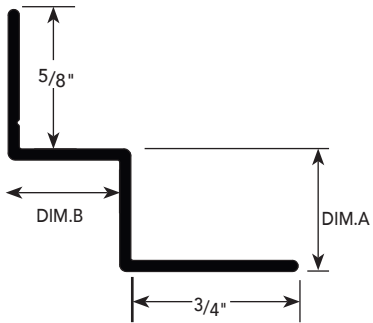
SIZES

COLUMN DIAMETER 18" +

| DIM. A REVEAL WIDTH | DIM. B REVEAL DEPTH | NUMBER |
|---------------------------|---------------------------|---------------|
| 1/2" | 1/2" | WDM-50-50-625 |
| 1/2" | 1/2" | DRWT-50-50 |
| 3/4" | 3/4" | WRM-75-75-625 |
| 3/4" | 3/4" | DRWT-75-75 |

CEILING TRANSITIONS CONT'D

ACOUSTICAL

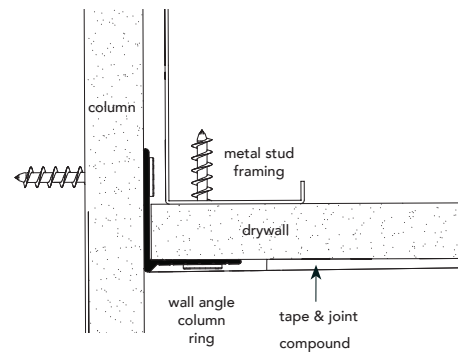
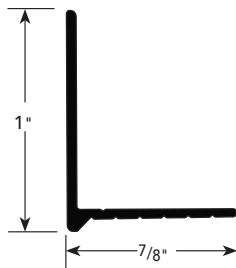


SIZES

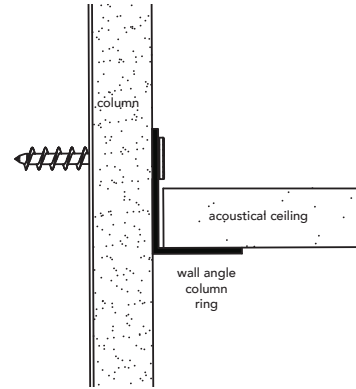
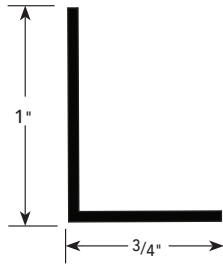
COLUMN DIAMETER 18"+

| DIM. A REVEAL DEPTH | DIM. B REVEAL WIDTH | NUMBER | |
|---------------------------|---------------------------|------------|--------------|
| | | NON-VENTED | VENTED |
| 1/2" | 1/2" | WDM-50-50 | WDM-50-V-50 |
| 1/2" | 3/4" | WDM-50-75 | WDM-50-V-75 |
| 5/8" | 3/4" | WDM-625-75 | WDM-625-V-75 |
| 3/4" | 3/4" | WRM-75-75 | WRM-75-V-75 |

DRYWALL



ACOUSTICAL



SIZES

COLUMN DIAMETER 18" TO 48"

| TYPE | NUMBER |
|------------|-----------------------------|
| ACOUSTICAL | WALL ANGLE |
| DRYWALL | WALL ANGLE w/ TAPING FLANGE |



FRY REGLET

FRYREGLET.COM | 800-237-9773