

# TRIMS

## FRY REGLET

FIBER CEMENT PANEL TRIMS PRODUCT BROCHURE



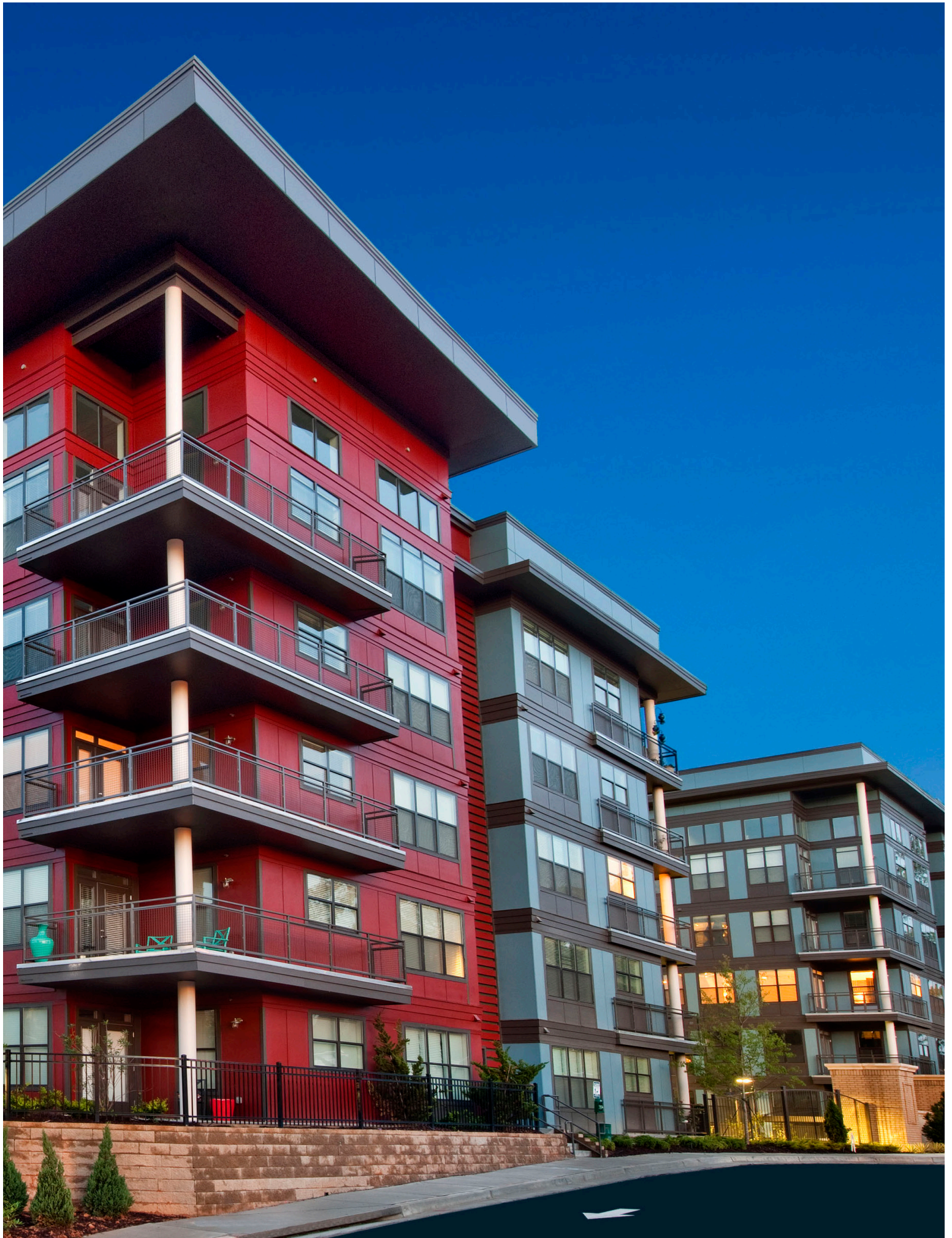


## PRECISION TRIMS PERFECTLY EXECUTED.

In collaboration with an industry-leading fiber cement panel manufacturer, Fry Reglet designed a comprehensive trim system, specifically engineered for fiber cement siding. This series of extruded aluminum trims provides a smooth, seamless, installation-friendly system which is unparalleled in the fiber cement panel industry. Vertical and horizontal trims align perfectly and allow for siding to be installed according to the panel manufacturer's prescribed fastener schedule without causing panel breakage or bowing. All trims are available in a variety of finishes including primed, clear anodized, factory powder coat, custom color, or perfectly matched to the fiber cement panel manufacturer's pre-finished color panels.

For over 65 years, Fry Reglet has been the trusted source for superior metal fabrications and component systems. All of Fry Reglet's products embody precision engineering, expert manufacturing, and inherent sustainability. At Fry Reglet, we pride ourselves on guaranteed quality and hands-on customer service which has solidified our reputation of excellence and is unmatched by our competitors.





## Fiber Cement Panel Trims

		Page		Page
Verticals	V1 - Vertical H Molding	12	V8 - T Piece	17
	V2 - Vertical Molding	13	V9 - Vertical H Molding 1060	18
	V3 - Vertical Retainer	14	V10 - Vertical H Slim	19
	V4 / V5 - Vertical Insert	15	V11 - Vertical H 625	20
	V6 / V7 - Double T	16	V12 - T Batten	21
Horizontals	H1 / H2 - Horizontal	22	H7 / H8 - Drip Cap	26
	H3 - Horizontal Notch	23	H9 - Double Drip Cap	27
	H4 / H5 - Double Horizontal	24	H10 - Base	28
	H6 - Sleek Horizontal	25	H11 - Panel Flashing	29
Inside Corners	IC1 - Inside Corner	30	IC2 - Integral Inside Corner	31
Outside Corners	OC1 - Outside Corner	32	OC7 - Outside Corner 1060	38
	OC2 - Bullnose Outside Corner	33	OC8 - Integral Outside Corner	39
	OC3 - Integral Outside Corner	34	OC9 / OC10 - Outside Corner Tuck	40
	OC4 - Double Outside Corner	35	OC11 - Outside Corner Retainer	41
	OC5 - Sleek Outside Corner	36	OC12 - Outside Corner Insert	42
	OC6 - Batten Outside Corner	37		
Terminations	T1 - F Molding	43	T3 / T4 - J Channel Tuck	45
	T2 - J Channel	44	T5 - J Channel 1060	46

## Fiber Cement Lap Siding Trims

Verticals	V20 / V21 - Integral Lap Insert	47		
Inside Corners	IC20 - Integral Inside Corner Lap	48	IC22 - Artisan Inside Corner	50
	IC21 - Lap Inside Corner	49		
Outside Corners	OC20 - Integral Outside Corner Lap	51	OC23 - Sleek Outside Corner Lap	54
	OC21 - Outside Corner Insert Lap	52	OC24 - Artisan Outside Corner	55
	OC22 - Outside Corner Lap	53		
Terminations	T20 / T21 - J Channel Lap	56	T24 - Lap Wall Angle	58
	T22 / T23 - F Channel Lap	57	T25 - Artisan J Channel	59

## Fiber Cement Transition Trims

Verticals	V3 - Vertical Retainer	60	V43 - Lap Panel Wall Angle	62
	V41 / V42 - Vertical Offset	61		
Outside Corners	OC40 - Outside Corner Transition	63		
Inside Corners	IC40 - Inside Corner Transition	64		

## Ventilation Trims

	VT1 - Soffit Vent	65	VT2 / VT3 - Rain Screen Vent Strip	66
--	-------------------	----	------------------------------------	----

## FCP - Stucco Trims

	V41 / V42 - Transition Insert	67	IC21 - Lap Inside Corner	70
	V20 / V21 - Lap Insert	68	OC40 - Outside Corner Transition	71
	IC40 - Inside Corner Transition	69		

## Ventilation

	Ventilation Information	72
--	-------------------------	----

## Finishes

	Finishes	73
--	----------	----

SHAPE FINDER INDEX

# Trims

USAGE

This chart is designed to help locate a specific shape in the Fry Reglet Shape Finder. Detailed information can be found on the page number above the shape.

## Fiber Cement Panel Trims

VERTICALS

V1 - VERTICAL H MOLDING  
PG. 12



V2 - VERTICAL MOLDING  
PG. 13



V3 - VERTICAL RETAINER  
PG. 14



V4 / V5 - VERTICAL INSERT  
PG. 15



V6 / V7 - DOUBLE T  
PG. 16



V8 - T PIECE  
PG. 17



V9 - VERTICAL H MOLDING 1060  
PG. 18



V10 - VERTICAL H  
PG. 19



V11 - VERTICAL H 625  
PG. 20



V12 - TBATTEN  
PG. 21



HORIZONTALS

H1 / H2 - HORIZONTAL  
PG. 22



H3 - HORIZONTAL NOTCH  
PG. 23



H4 / H5 - DOUBLE HORIZONTAL  
PG. 24



H6 - SLEEK HORIZONTAL  
PG. 25



## Trims

### USAGE

This chart is designed to help locate a specific shape in the Fry Reglet Shape Finder. Detailed information can be found on the page number above the shape.

**H7 / H8 - DRIP CAP / DRIP CAP 875**  
PG. 26



**H9 - DOUBLE DRIP CAP**  
PG. 27



**H10 - BASE**  
PG. 28

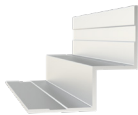


**H11 - PANEL FLASHING**  
PG. 29

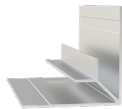


### INSIDE CORNERS

**IC1 - INSIDE CORNER**  
PG. 30



**IC2 - INTEGRAL INSIDE CORNER**  
PG. 31



### OUTSIDE CORNERS

**OC1 - OUTSIDE CORNER**  
PG. 32



**OC2 - BULLNOSE OUTSIDE CORNER**  
PG. 33



**OC3 - INTEGRAL OUTSIDE CORNER**  
PG. 34



**OC4 - DOUBLE OUTSIDE CORNER**  
PG. 35



**OC5 - SLEEK OUTSIDE CORNER**  
PG. 36



**OC6 - BATTEN OUTSIDE CORNER**  
PG. 37



**OC7 - OUTSIDE CORNER 1060**  
PG. 38



**OC8 - INTEGRAL OUTSIDE CORNER 1060**  
PG. 39





SHAPE FINDER INDEX

# Trims

USAGE

This chart is designed to help locate a specific shape in the Fry Reglet Shape Finder. Detailed information can be found on the page number above the shape.

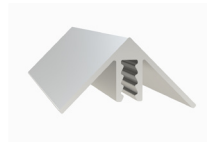
**OC9 / OC 10 - OUTSIDE CORNER TUCK**  
PG. 40



**OC11 - OUTSIDE CORNER RETAINER**  
PG. 41



**OC12 - OUTSIDE CORNER INSERT**  
PG. 42



TERMINATIONS

**T1 - F MOLDING**  
PG. 43



**T2 - J CHANNEL**  
PG. 44



**T3 / T4 - J CHANNEL TUCK**  
PG. 45



**T5 - J CHANNEL 1060**  
PG. 46



## Fiber Cement Lap Siding Trims

VERTICALS

**V3 - VERTICAL RETAINER**  
PG. 14



**V20 / V21 - VERTICAL LAP INSERT**  
PG. 47



INSIDE CORNERS

**IC20 - INTEGRAL INSIDE CORNER LAP**  
PG. 48



**IC21 - LAP INSIDE CORNER**  
PG. 49



**IC22 - ARTISAN INSIDE CORNER**  
PG. 50



## Trims

### USAGE

This chart is designed to help locate a specific shape in the Fry Reglet Shape Finder. Detailed information can be found on the page number above the shape.

### OUTSIDE CORNERS

**OC20 - INTEGRAL OUTSIDE CORNER LAP**  
PG. 51



**OC21 - OUTSIDE CORNER INSERT LAP**  
PG. 52



**OC22 - OUTSIDE CORNER LAP**  
PG. 53



**OC23 - SLEEK OUTSIDE CORNER LAP**  
PG. 54



### OUTSIDE CORNERS

**OC24 - ARTISAN OUTSIDE CORNER**  
PG. 55



### TERMINATIONS

**T20 / T21 - J CHANNEL LAP**  
PG. 56



**T22 / T23 - F CHANNEL LAP**  
PG. 57



**T24 - LAP WALL ANGLE**  
PG. 58



**T25 - ARTISAN J CHANNEL**  
PG. 59



## Fiber Cement Transition Trims

### VERTICAL

**V3 - VERTICAL RETAINER**  
PG. 60



**V41 / V42 - VERTICAL OFFSET**  
PG. 61



**V43 - LAP PANEL WALL ANGLE**  
PG. 62



SHAPE FINDER INDEX

## Trims

### USAGE

This chart is designed to help locate a specific shape in the Fry Reglet Shape Finder. Detailed information can be found on the page number above the shape.

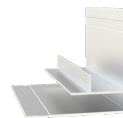
#### OUTSIDE CORNER

**OC40 - OUTSIDE CORNER  
TRANSITION**  
PG. 63



#### INSIDE CORNER

**IC40 - INSIDE CORNER  
TRANSITION**  
PG. 64



## Ventilation Trims

**VT1 - SOFFIT VENT**  
PG. 65



**VT2 / VT3 - RAIN SCREEN VENT  
STRIP**  
PG. 66



## Stucco Transition Trims

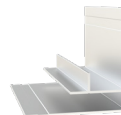
**V41 / V42 - TRANSITION  
INSERT**  
PG. 67



**V20 / V21 - LAP INSERT**  
PG. 68



**IC40 - INSIDE CORNER  
TRANSITION**  
PG. 69



**IC21 - LAP INSIDE  
CORNER**  
PG. 70



**OC40 - OUTSIDE CORNER  
TRANSITION**  
PG. 71

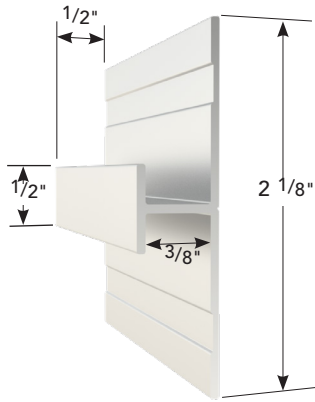


PRODUCT DETAIL

INSTALLATION DETAIL / Cross Section

V1

VERTICAL H MOLDING



USAGE

The Vertical H Molding creates a 1/2" spline between vertical 5/16" fiber cement panels. The exposed spline covers the panel's edges to create a vertical design element, hiding imperfections in field cuts. This can also be used in soffit applications. The Vertical H Molding is available in 10' lengths and a variety of finishes.

GUIDE SPECIFICATION

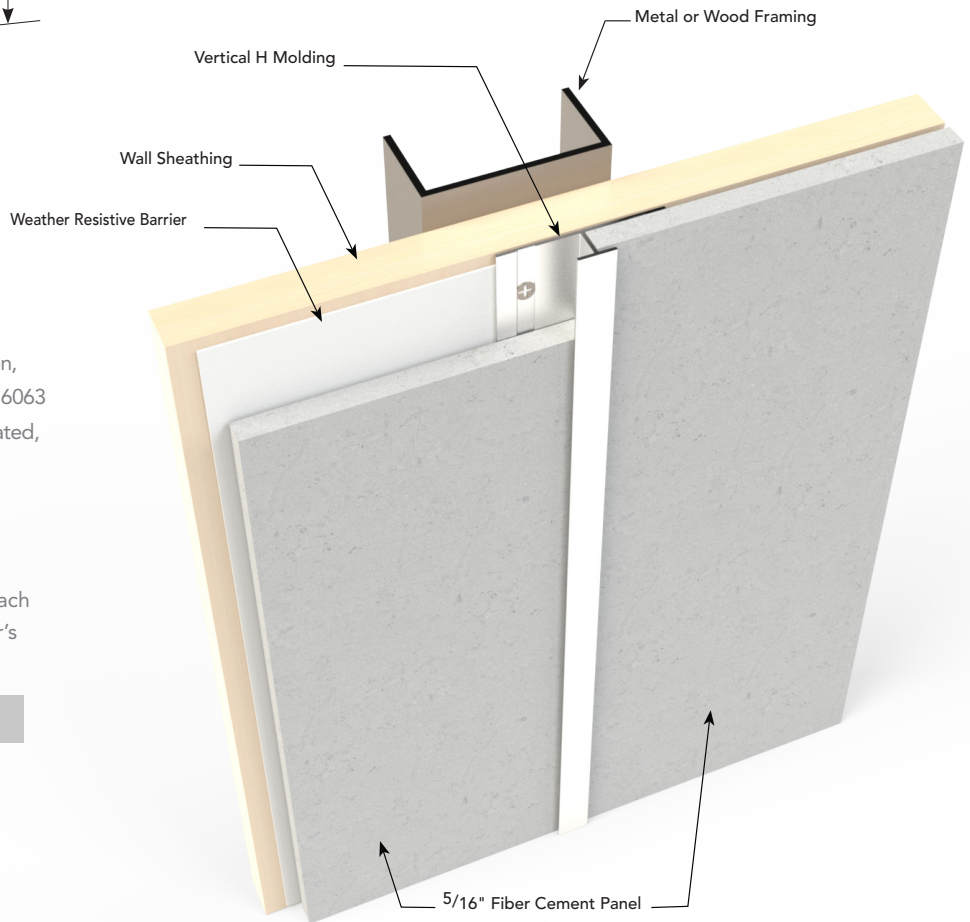
Where indicated on drawings, Fry Reglet Vertical H Molding, as manufactured by Fry Reglet Corporation, shall be installed. Aluminum shall be extruded alloy 6063 T5. Available in primed, clear anodized, powder coated, or custom finish. Refer to finish section on page 73.

NOTE

To be used in vertical applications. Do not install horizontally where moisture can accumulate. Attach panel in accordance with the panel manufacturer's fastening schedule.

SIZES

	REVEAL DEPTH	NUMBER
V1	NOM. 3/8"	FCP-H VERT MOLD

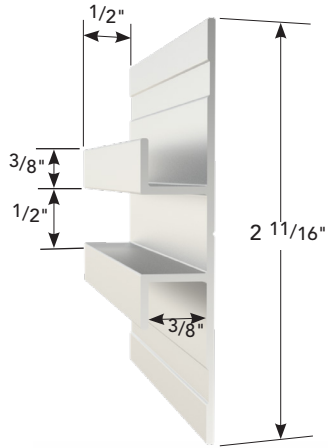


PRODUCT DETAIL

INSTALLATION DETAIL / Cross Section

VERTICAL MOLDING

V2



USAGE

The Vertical Molding creates a traditional 1/2" reveal between vertical 5/16" fiber cement panels. The exposed flanges cover the panel's edges to create a vertical design element, hiding imperfections in field cuts. This can also be used in soffit applications. The Vertical Molding is available in 10' lengths and a variety of finishes.

GUIDE SPECIFICATION

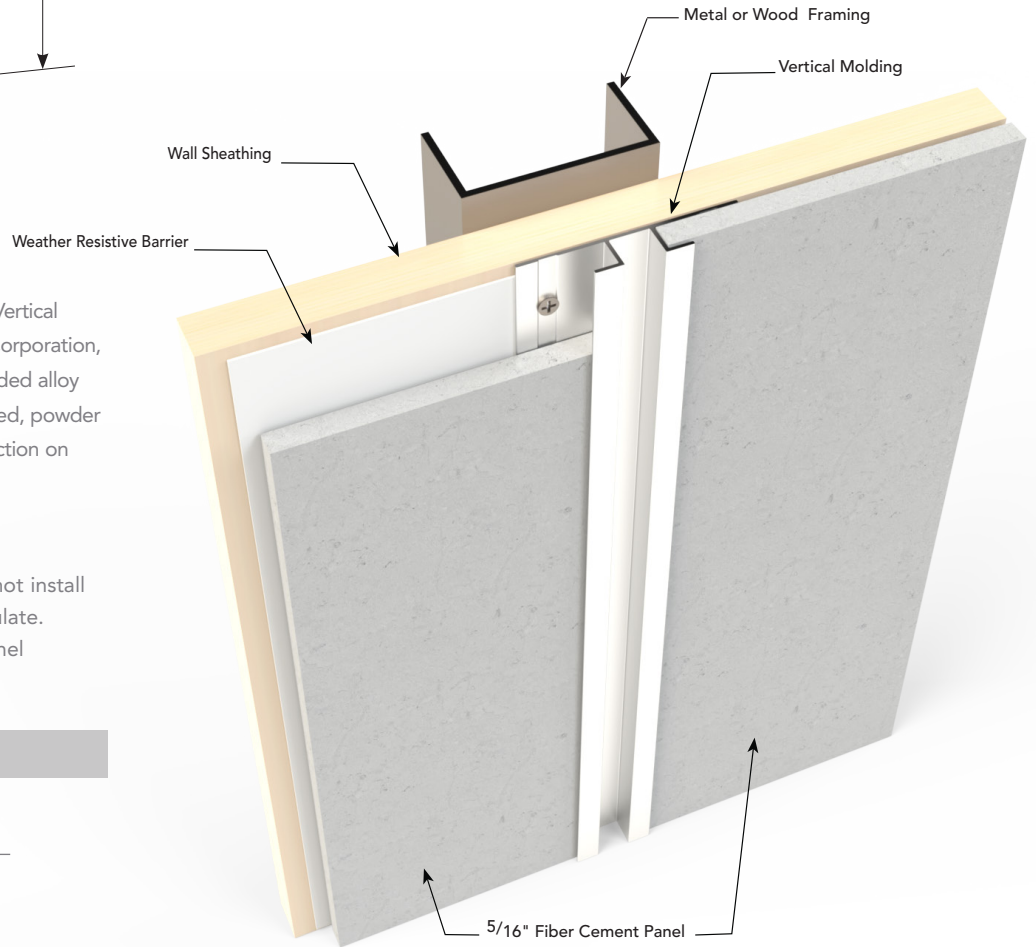
Where indicated on drawings, Fry Reglet Vertical Molding, as manufactured by Fry Reglet Corporation, shall be installed. Aluminum shall be extruded alloy 6063 T5. Available in primed, clear anodized, powder coated, or custom finish. Refer to finish section on page 73.

NOTE

To be used in vertical applications. Do not install horizontally where moisture can accumulate. Attach panel in accordance with the panel manufacturer's fastening schedule.

SIZES

	REVEAL DEPTH	NUMBER
V2	NOM. 3/8"	FCP-VERT MOLD



PRODUCT DETAIL

INSTALLATION DETAIL / Cross Section

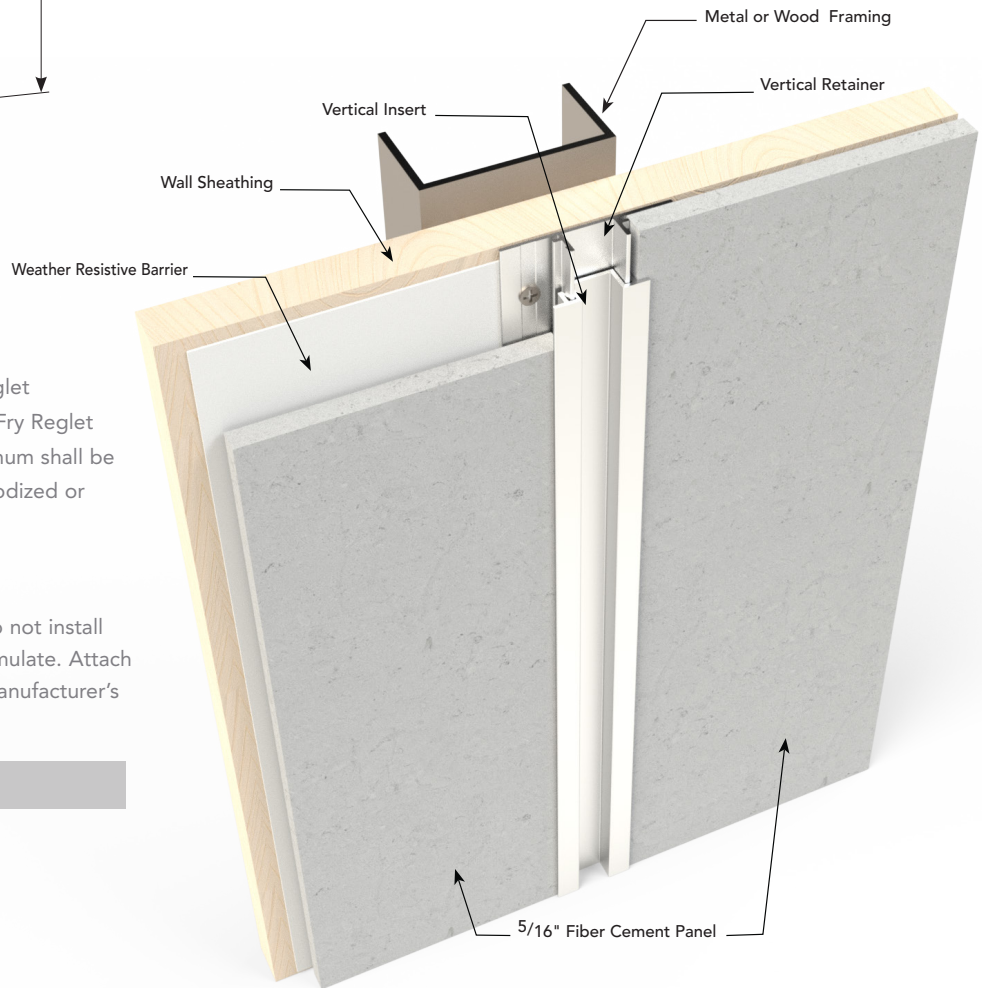
V3

VERTICAL  
RETAINER



USAGE

The Vertical Retainer is the female portion of an interlocking system that is used in conjunction with the Vertical Offset, Lap Wall Angle, Transition Insert and Lap Insert. The Vertical Retainer is available in 10' lengths in clear anodized and primed finishes.



GUIDE SPECIFICATION

Where indicated on drawings, Fry Reglet Vertical Retainer, as manufactured by Fry Reglet Corporation, shall be installed. Aluminum shall be extruded alloy 6063 T5, with clear anodized or primed finish.

NOTE

To be used in vertical applications. Do not install horizontally where moisture can accumulate. Attach panel in accordance with the panel manufacturer's fastening schedule.

SIZES

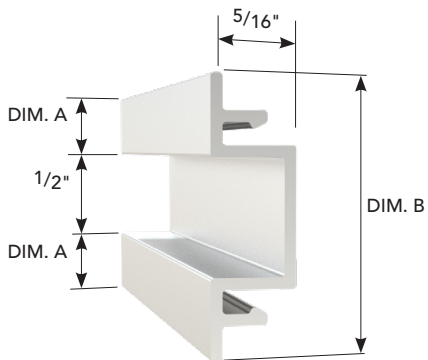
	REVEAL DEPTH	NUMBER
V3	NOM. 3/8"	FCP-HSINRET

PRODUCT DETAIL

INSTALLATION DETAIL / Cross Section

VERTICAL  
INSERT

V4 / V5



USAGE

The Vertical Insert is the male portion of an interlocking system that creates a traditional reveal between vertical 5/16" fiber cement panels. The exposed flanges cover the panel's edges to create a vertical design element, hiding imperfections in field cuts. The interlocking system allows for a non-progressive and easy installation. The Vertical Insert is available in 10' lengths and a variety of finishes.

GUIDE SPECIFICATION

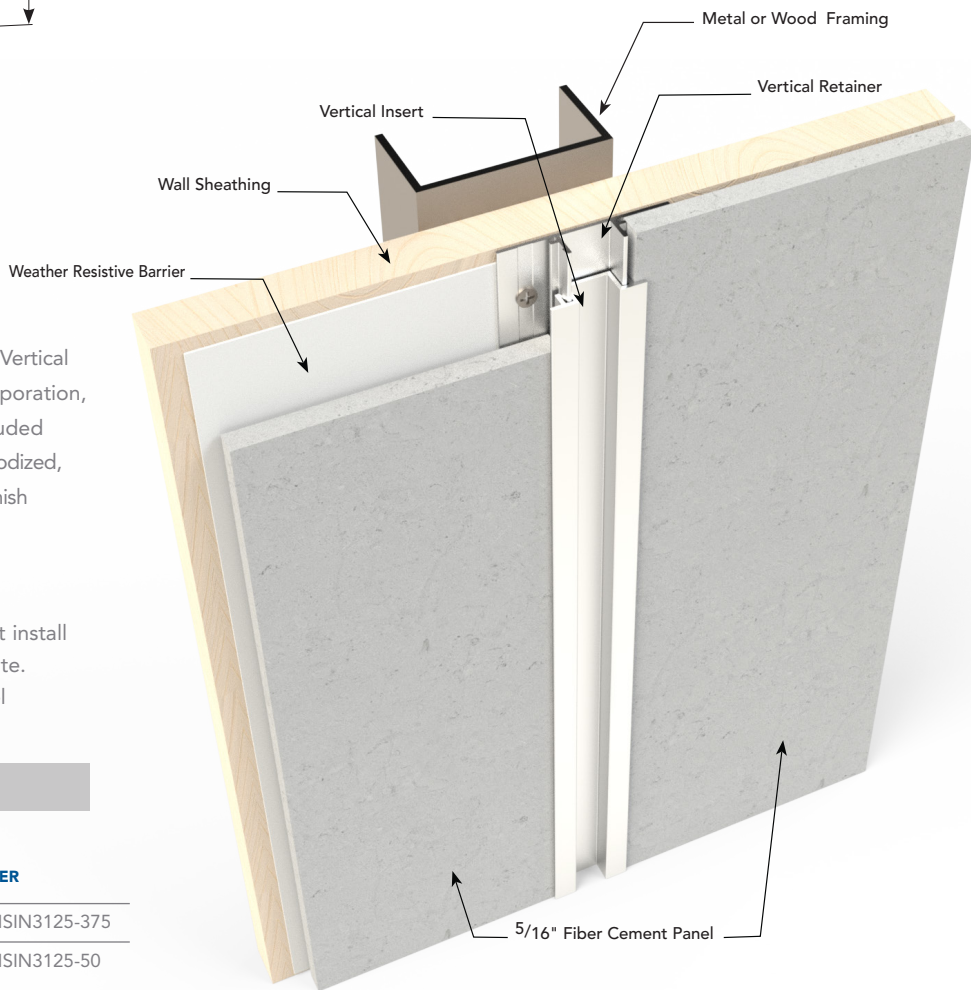
Where indicated on drawings, Fry Reglet Vertical Insert, as manufactured by Fry Reglet Corporation, shall be installed. Aluminum shall be extruded alloy 6063 T5. Available in primed, clear anodized, powder coated, or custom finish. Refer to finish section on page 73.

NOTE

To be used in vertical applications. Do not install horizontally where moisture can accumulate. Attach panel in accordance with the panel manufacturer's fastening schedule.

SIZES

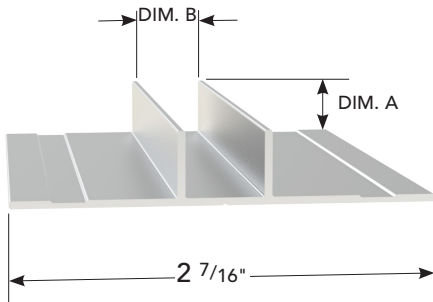
	DIM. A	DIM. B	NUMBER
V4	NOM. 3/8"	NOM. 11/16"	FCP-HSIN3125-375
V5	NOM. 1/2"	NOM 1 1/2"	FCP-HSIN3125-50



PRODUCT DETAIL

V6 / V7 DOUBLE T

INSTALLATION DETAIL / Cross Section



USAGE

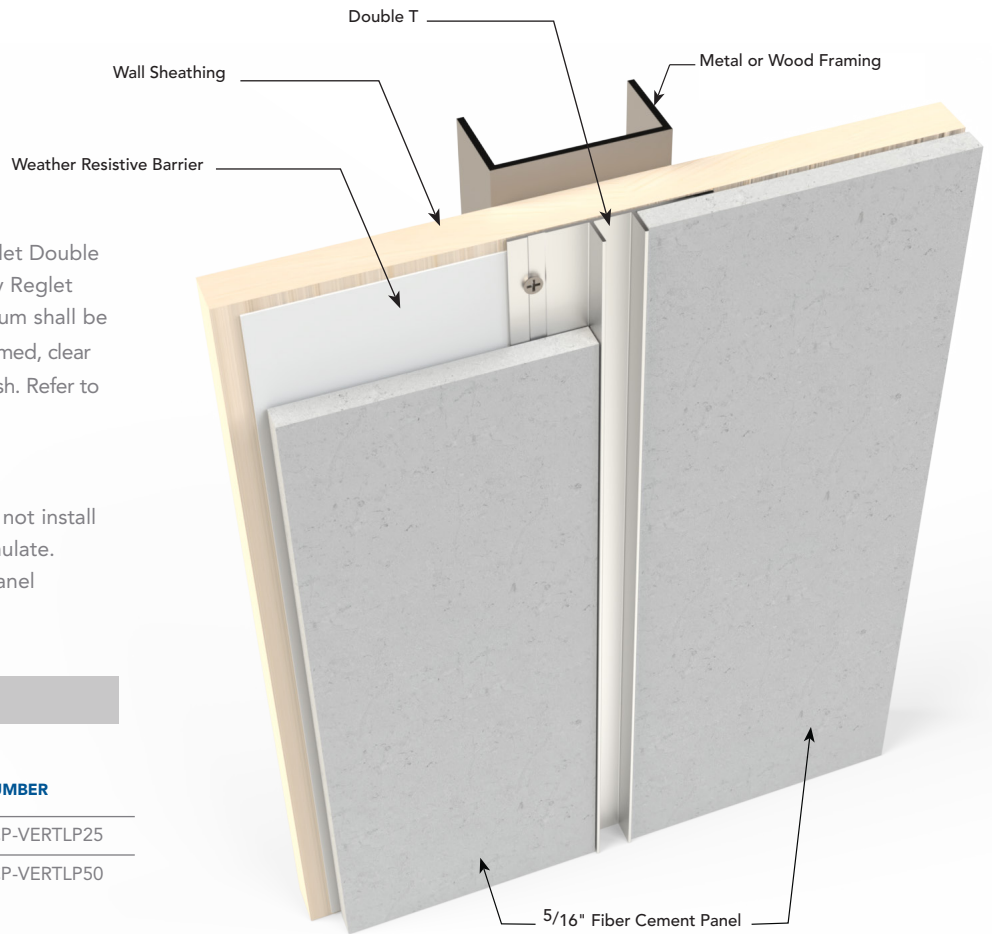
The Double T 1/4" and 1/2" create a contemporary reveal between vertical 5/16" fiber cement panels. The exposed reveal allows for easy installation and minimal extrusion exposed for a clean aesthetic. This can also be used in soffit applications. The Double T 1/4" and 1/2" are available in 10' lengths and a variety of finishes.

GUIDE SPECIFICATION

Where indicated on drawings, Fry Reglet Double T 1/2" or 1/4", as manufactured by Fry Reglet Corporation, shall be installed. Aluminum shall be extruded alloy 6063 T5. Available in primed, clear anodized, powder coated, or custom finish. Refer to finish section on page 73.

NOTE

To be used in vertical applications. Do not install horizontally where moisture can accumulate. Attach panel in accordance with the panel manufacturer's fastening schedule.



SIZES

	DIM. A	DIM. B	NUMBER
V6	NOM. 7/16"	NOM. 1/4"	FCP-VERTLP25
V7	NOM. 7/16"	NOM 1/2"	FCP-VERTLP50

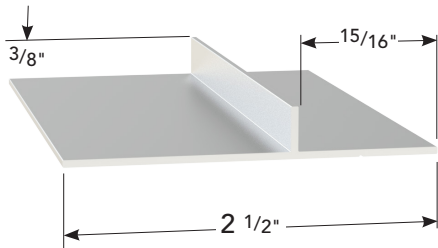


PRODUCT DETAIL

INSTALLATION DETAIL / Cross Section

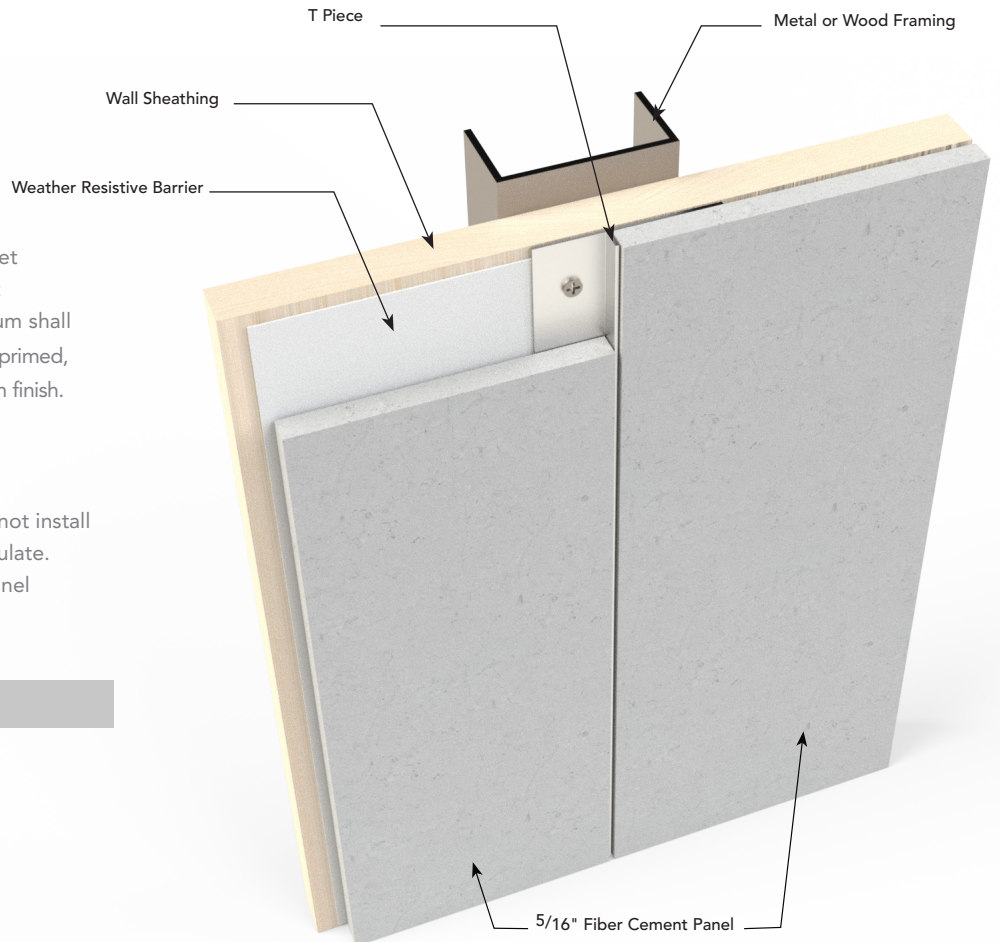
T PIECE

V8



USAGE

The T Piece creates a minimalistic shadow reveal between vertical 5/16" fiber cement panels. The exposed reveal allows for easy installation and minimal extrusion exposed for a clean aesthetic. This can also be used in soffit applications. The T Piece is available in 10' lengths and a variety of finishes.



GUIDE SPECIFICATION

Where indicated on drawings, Fry Reglet T Piece, as manufactured by Fry Reglet Corporation, shall be installed. Aluminum shall be extruded alloy 6063 T5. Available in primed, clear anodized, powder coated, or custom finish. Refer to finish section on page 73.

NOTE

To be used in vertical applications. Do not install horizontally where moisture can accumulate. Attach panel in accordance with the panel manufacturer's fastening schedule.

SIZES

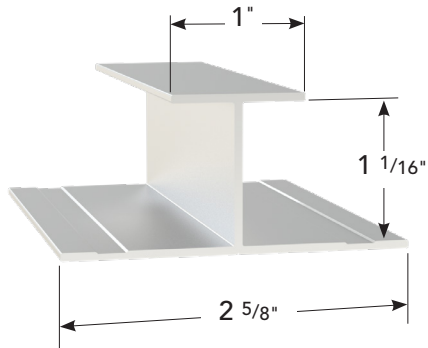
	REVEAL DEPTH	NUMBER
V8	NOM. 3/8"	FCP-T-PIECE

PRODUCT DETAIL

INSTALLATION DETAIL / Cross Section

V9

VERTICAL H  
MOLDING 1060



USAGE

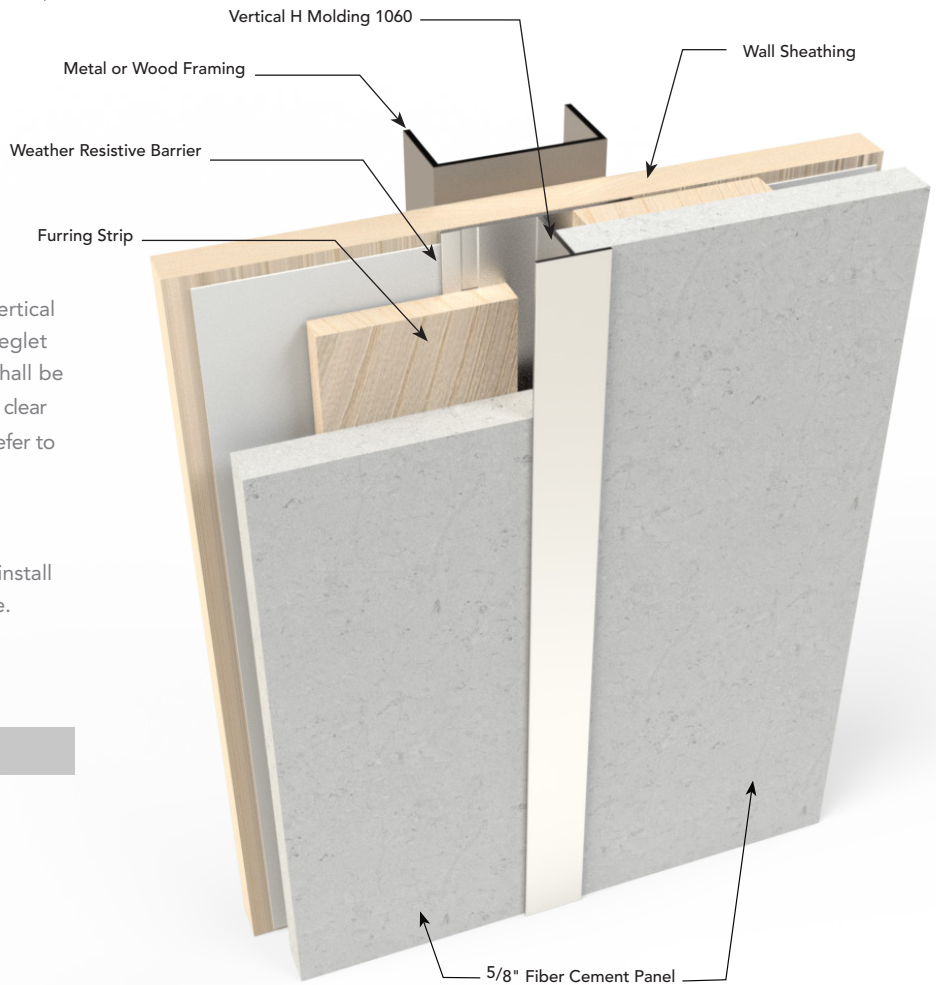
The Vertical H Molding 1060 creates a 1" spline between vertical 5/8" fiber cement panels when used with 3/8" furring strips. The exposed reveal covers the panel's edges to create a vertical design element, hiding imperfections in field cuts. This can also be used in soffit applications. The Vertical H Molding 1060 is available in 10' lengths and a variety of finishes.

GUIDE SPECIFICATION

Where indicated on drawings, Fry Reglet Vertical H Molding 1060, as manufactured by Fry Reglet Corporation, shall be installed. Aluminum shall be extruded alloy 6063 T5. Available in primed, clear anodized, powder coated, or custom finish. Refer to finish section on page 73.

NOTE

To be used in vertical applications. Do not install horizontally where moisture can accumulate. Attach panel in accordance with the panel manufacturer's fastening schedule.



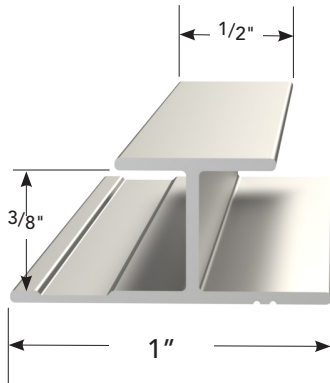
SIZES

	REVEAL DEPTH	NUMBER
V9	NOM. 1 1/8"	FCP-H 1060

PRODUCT DETAIL

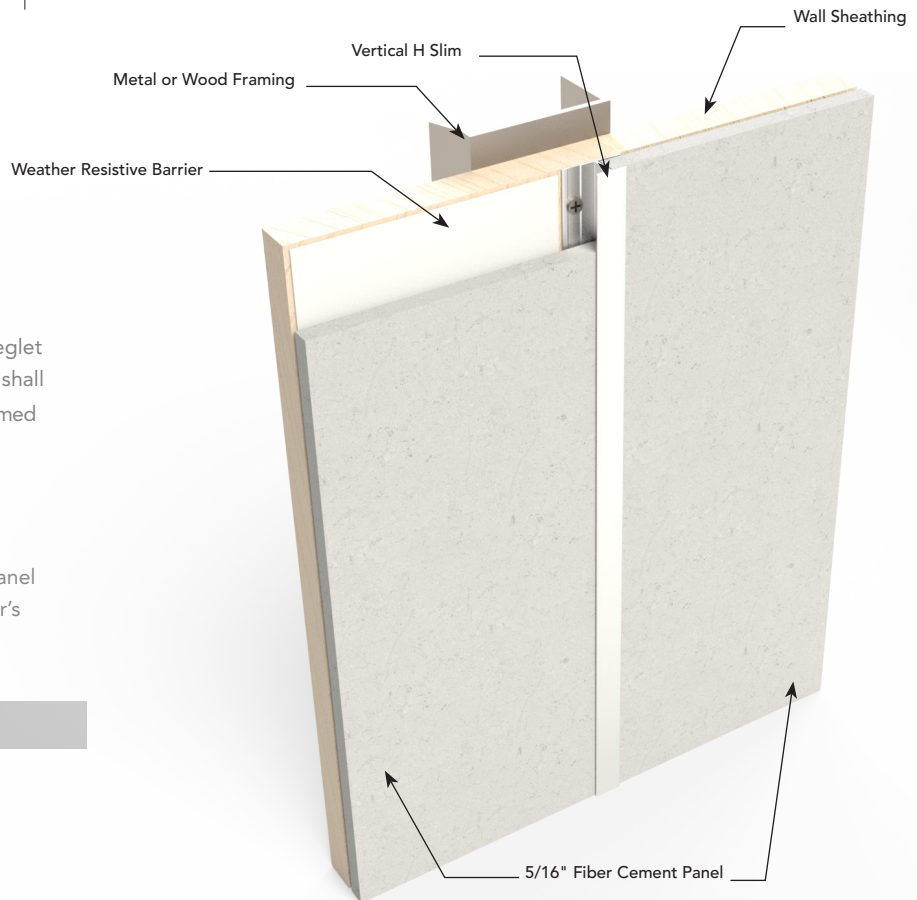
INSTALLATION DETAIL / Cross Section

VERTICAL H SLIM V10



USAGE

The Vertical H Slim creates a 1/2" spline between vertical 5/16" fiber cement panels. The exposed spline covers the panel's edges to create a vertical design element, hiding imperfections in field cuts. This profile is ideal for use as a general-purpose H molding and can also be used in soffit applications. The Vertical H Slim is available in 8' lengths with a primed finish.



GUIDE SPECIFICATION

Where indicated on drawings, Fry Reglet Vertical H Slim, as manufactured by Fry Reglet Corporation, shall be installed. Aluminum shall be extruded alloy 6063 T5. Available in primed finish.

NOTE

Not to be used in horizontal applications where moisture can accumulate. Attach panel in accordance with the panel manufacturer's fastening schedule.

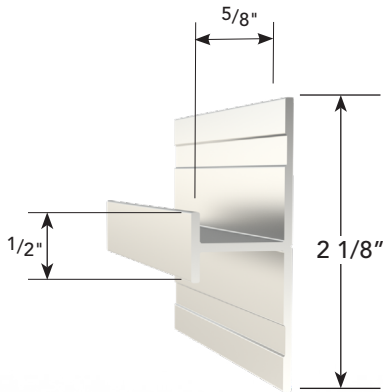
SIZES

	REVEAL DEPTH	NUMBER
V10	NOM. 3/8"	FCP-H SLIM

PRODUCT DETAIL

INSTALLATION DETAIL / Cross Section

V11 VERTICAL H 625



USAGE

The Vertical H 625 creates a 1/2" spline between exterior cladding. The exposed spline covers the panel's edges to create a vertical design element, hiding imperfections in field cuts. This can also be used in soffit applications. The Vertical H 625 is available in 10' lengths and a variety of finishes.

GUIDE SPECIFICATION

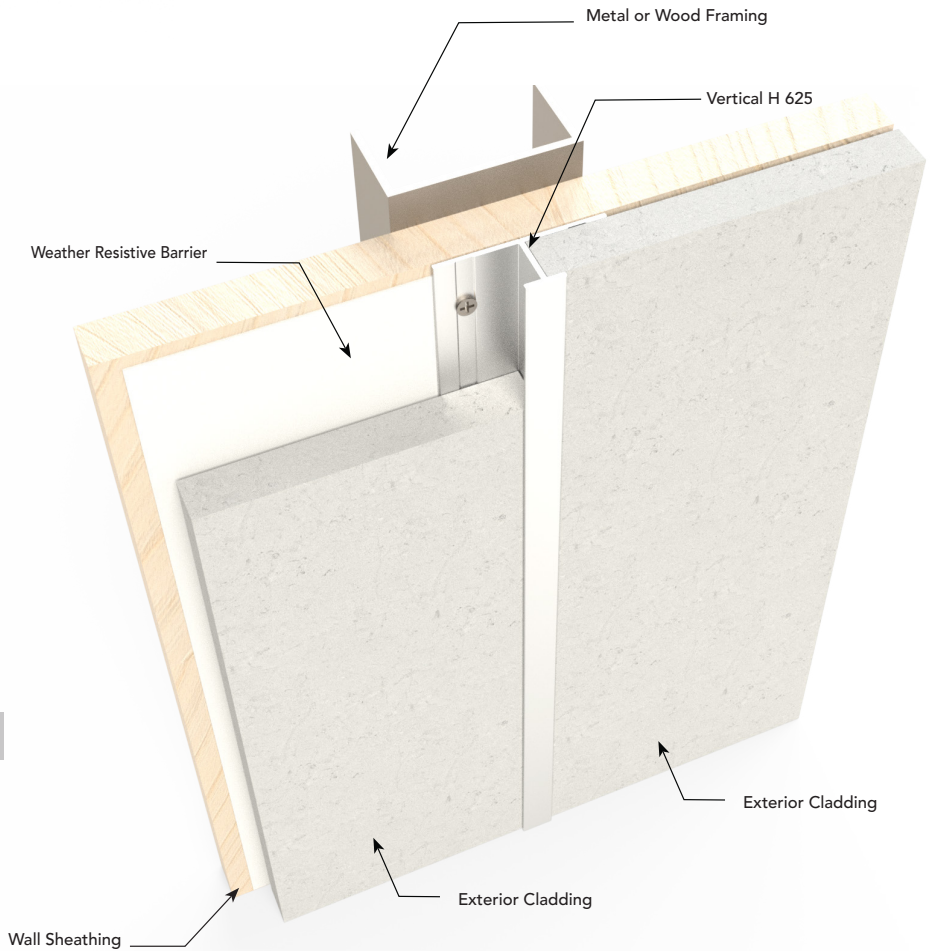
Where indicated on drawings, Fry Reglet Vertical H 625, as manufactured by Fry Reglet Corporation, shall be installed per manufacturer's recommendations. Aluminum shall be extruded alloy 6063 T5. Available in primed, clear anodized, powder coated, or custom finish. Refer to finish section on page 73.

NOTE

Not to be used in horizontal applications where moisture can accumulate. Attach panel in accordance with the panel manufacturer's fastening schedule.

SIZES

	REVEAL DEPTH	NUMBER
V11	NOM. 5/8"	FCP-HVERT625

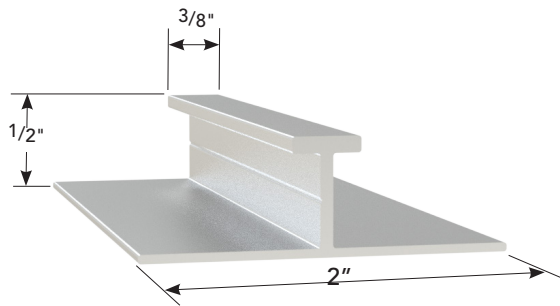


PRODUCT DETAIL

INSTALLATION DETAIL / Cross Section

T BATTEN

V12



USAGE

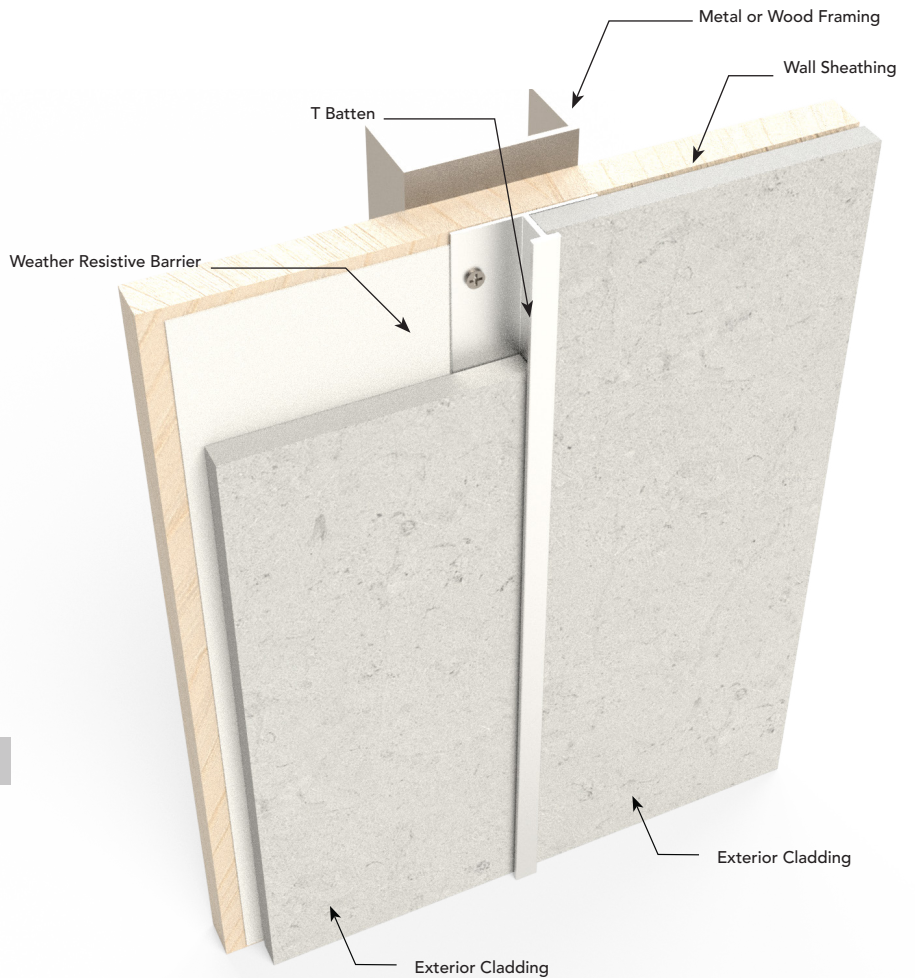
The T Batten creates a 3/8" spline between vertical 1/2" wall cladding materials. The exposed spline covers the panel's edges to create a vertical design element, hiding imperfections in field cuts. This can also be used in soffit applications. The T Batten is available in 10' lengths and a variety of finishes.

GUIDE SPECIFICATION

Where indicated on drawings, Fry Reglet T Batten, as manufactured by Fry Reglet Corporation, shall be installed per manufacturer's recommendations. Aluminum shall be extruded alloy 6063 T5. Available in primed, clear anodized, powder coated, or custom finish. Refer to finish section on page 73.

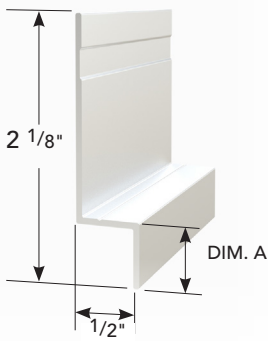
NOTE

Not to be used in horizontal applications where moisture can accumulate. Attach panel in accordance with the panel manufacturer's fastening schedule.



SIZES

	REVEAL DEPTH	NUMBER
V12	NOM. 1/2"	FCP-T BATTEN



**USAGE**

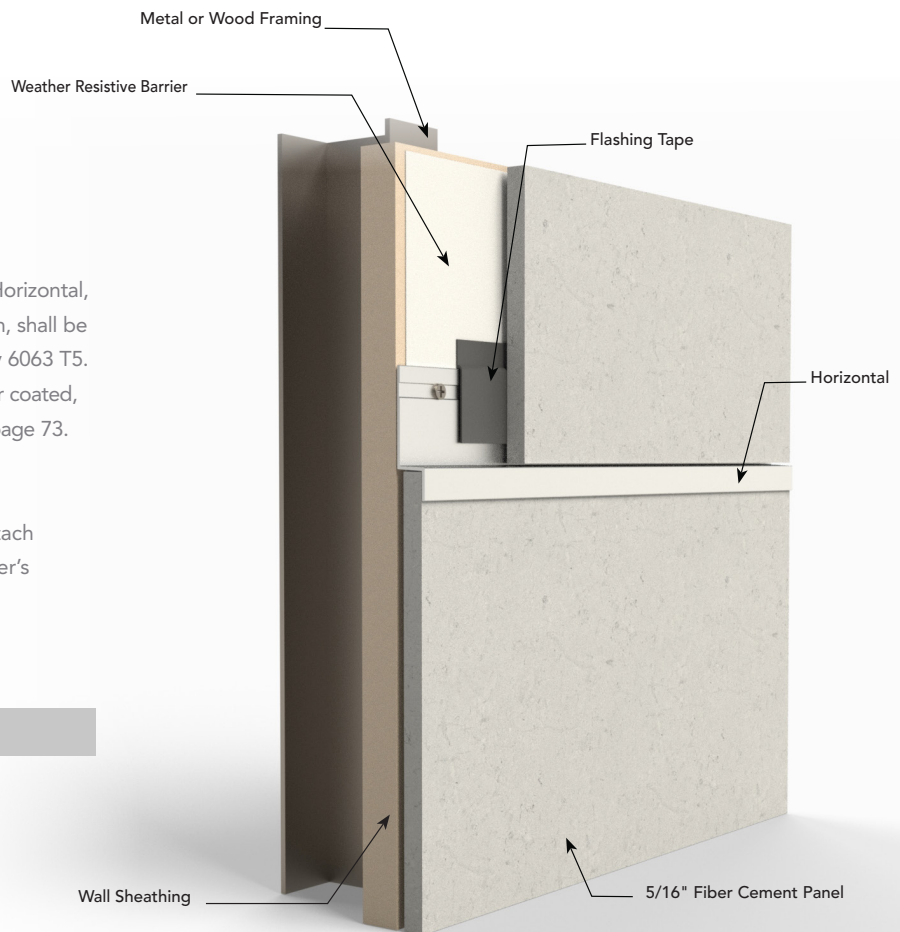
The Horizontal creates a traditional reveal between horizontal ends of 5/16" fiber cement panels. The exposed flange is angled to channel moisture away from the building's envelope. Additionally, the Horizontal provides a tucking element over vertical members, allowing for efficient and clean joinery details in the field. The Horizontal is available in 10' lengths and a variety of finishes.

**GUIDE SPECIFICATION**

Where indicated on drawings, Fry Reglet Horizontal, as manufactured by Fry Reglet Corporation, shall be installed. Aluminum shall be extruded alloy 6063 T5. Available in primed, clear anodized, powder coated, or custom finish. Refer to finish section on page 73.

**NOTE**

To be used in a horizontal application. Attach panel in accordance with the manufacturer's fastening schedule.



**SIZES**

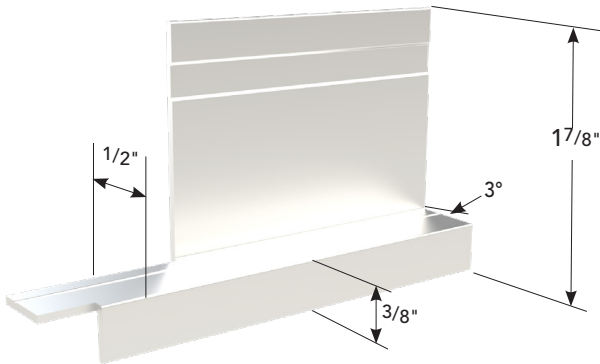
	DIM. A	NUMBER
H1	NOM. 3/8"	FCP-HOZ 50-375
H2	NOM. 1/2"	FCP-HOZ 50-50

PRODUCT DETAIL

INSTALLATION DETAIL / Cross Section

HORIZONTAL NOTCH

H3



USAGE

The Horizontal Notch creates a traditional reveal between horizontal ends of 5/16" fiber cement panels. The exposed reveal is angled to channel moisture away from the building's envelope. Additionally, the Horizontal Notch allows for perfect field alignment with corners and terminations, reducing any possibility of gaps or imperfections. The Horizontal Notch is available in 5' lengths, opposite hand pairs, and a variety of finishes.

GUIDE SPECIFICATION

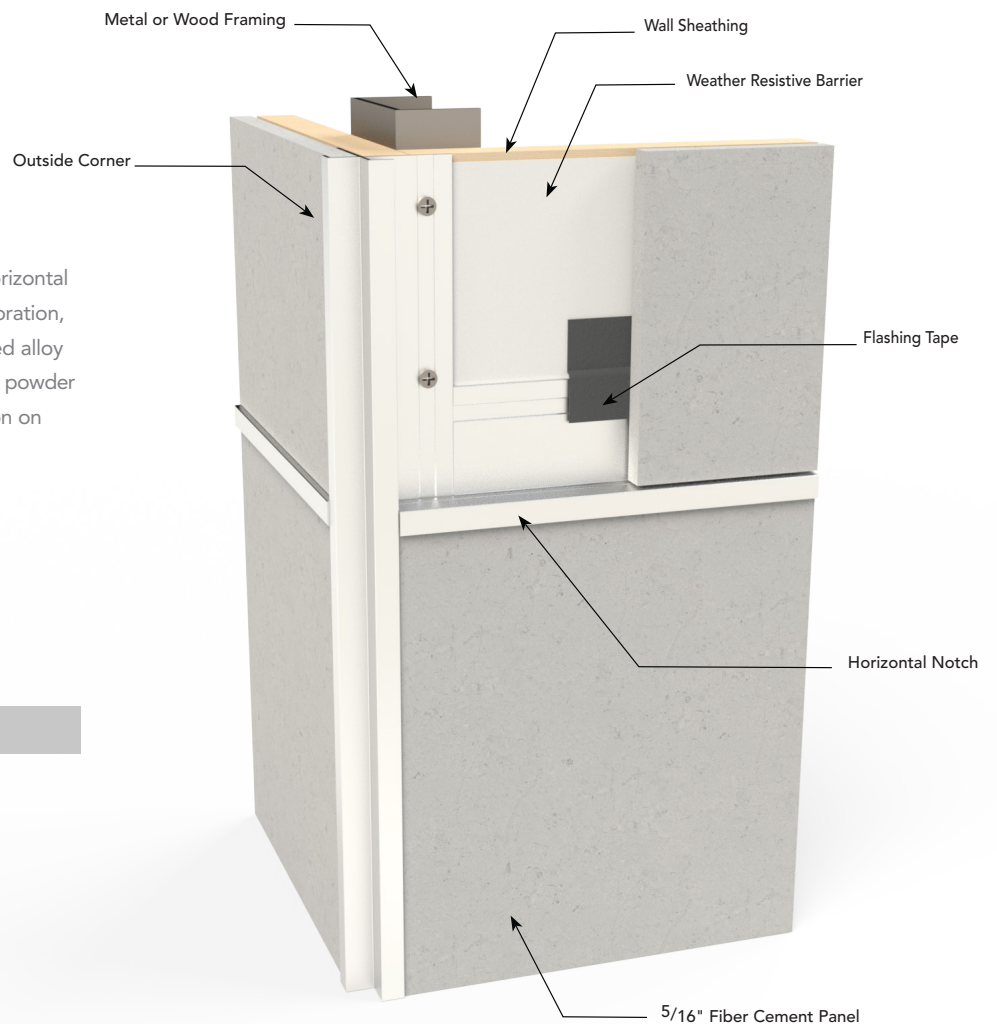
Where indicated on drawings, Fry Reglet Horizontal Notch, as manufactured by Fry Reglet Corporation, shall be installed. Aluminum shall be extruded alloy 6063 T5. Available in primed, clear anodized, powder coated, or custom finish. Refer to finish section on page 73.

NOTE

To be used in a horizontal application. Attach panel in accordance with the manufacturer's fastening schedule.

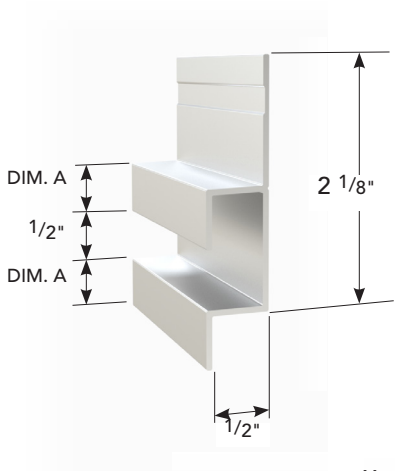
SIZES

	REVEAL DEPTH	NUMBER
H3	NOM. 1/2"	FCP-HOZ NOTCH



H4 / H5

**DOUBLE HORIZONTAL**



**USAGE**

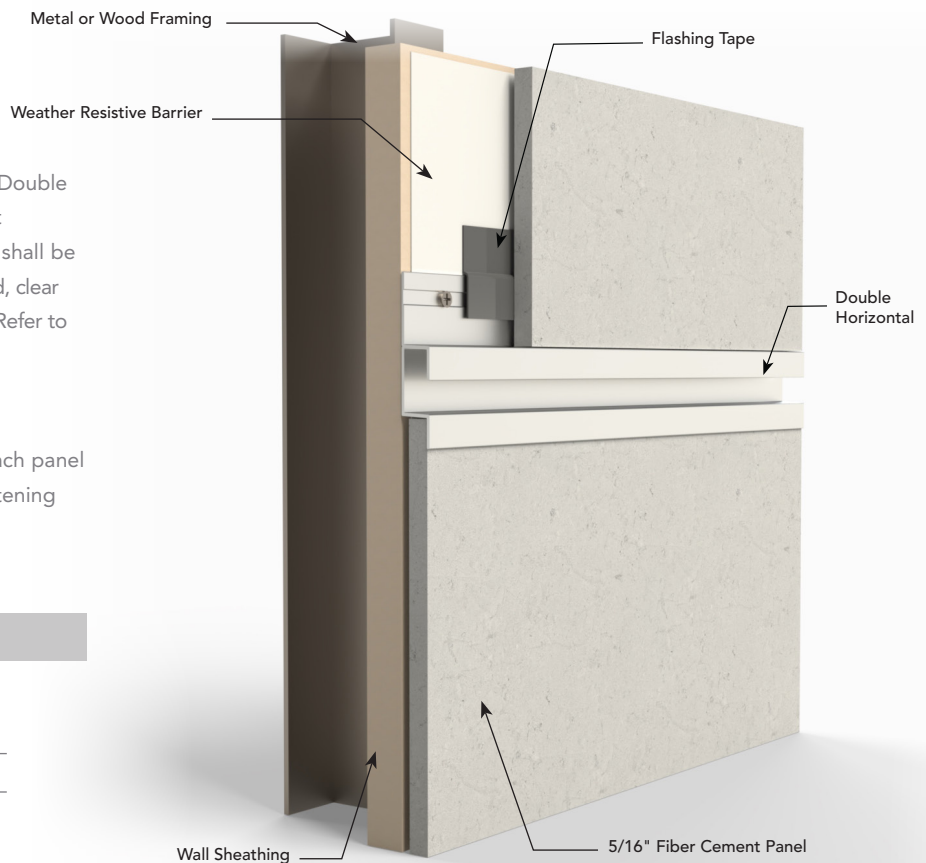
The Double Horizontal creates a bold, double flanged reveal between horizontal ends of 5/16" fiber cement panels. The exposed reveal is angled to channel moisture away from the building's envelope. Additionally, the Double Horizontal provides a tucking element over vertical members, allowing for efficient and clean joinery details in the field. The Double Horizontal is available in 10' lengths and a variety of finishes.

**GUIDE SPECIFICATION**

Where indicated on drawings, Fry Reglet Double Horizontal, as manufactured by Fry Reglet Corporation, shall be installed. Aluminum shall be extruded alloy 6063 T5. Available in primed, clear anodized, powder coated, or custom finish. Refer to finish section on page 73.

**NOTE**

To be used in a horizontal application. Attach panel in accordance with the manufacturer's fastening schedule.



**SIZES**

	DIM. A	NUMBER
<b>H4</b>	NOM. 3/8"	FCP-DBLHOZ50-375
<b>H5</b>	NOM. 1/2"	FCP-DBLHOZ50-50

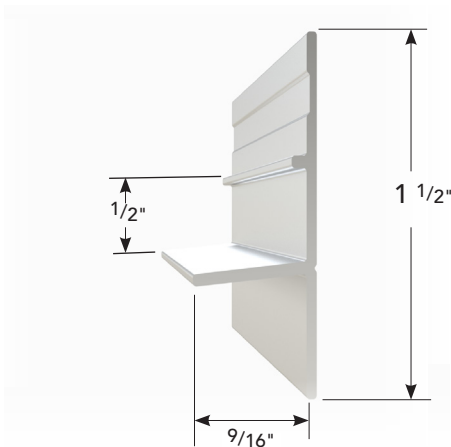


PRODUCT DETAIL

INSTALLATION DETAIL / Cross Section

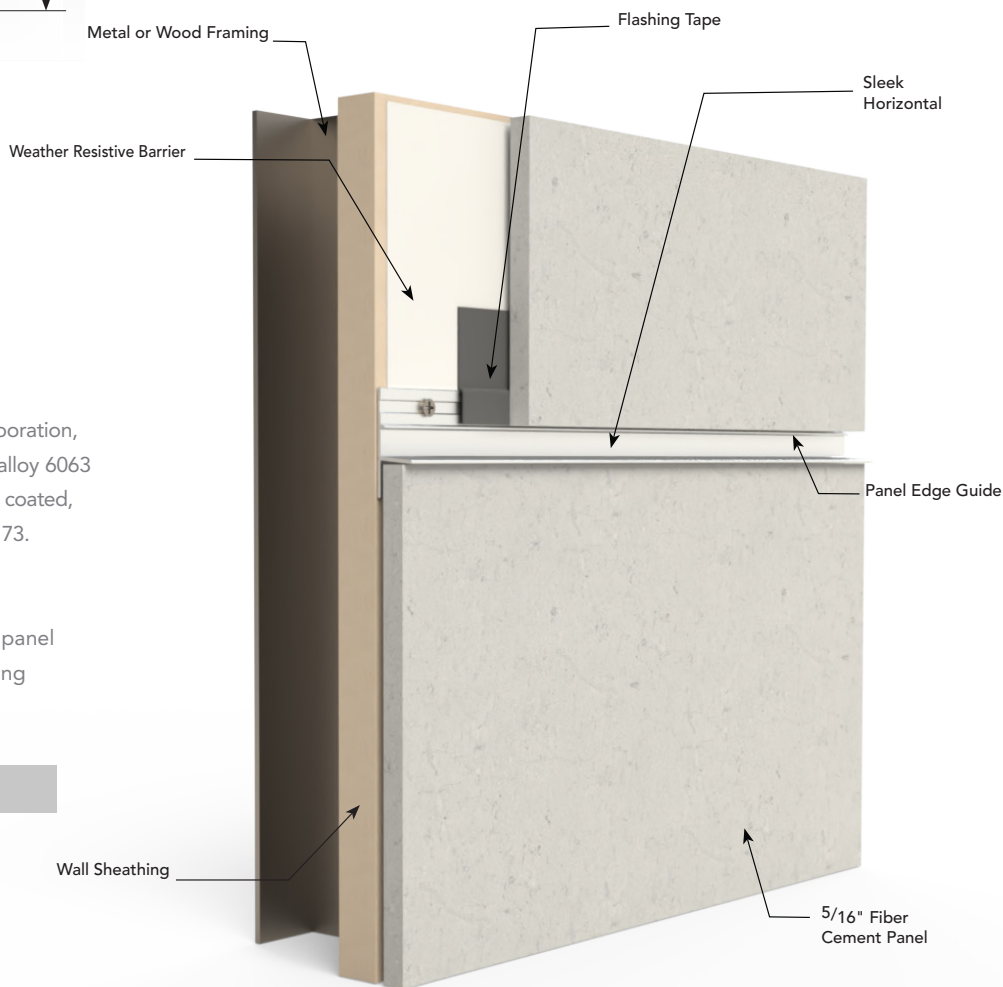
SLEEK HORIZONTAL

H6



USAGE

The Sleek Horizontal creates a contemporary reveal between horizontal ends of 5/16" fiber cement panels with minimal extrusion exposed. The exposed reveal is angled to channel moisture away from the building's envelope. Additionally, the sleek horizontal contains a guide to set the panel, ensuring a perfect and consistent 1/2" reveal. The Sleek Horizontal is available in 10' lengths and a variety of finishes.



GUIDE SPECIFICATION

Where indicated on drawings, Fry Reglet Sleek Horizontal, as manufactured by Fry Reglet Corporation, shall be installed. Aluminum shall be extruded alloy 6063 T5. Available in primed, clear anodized, powder coated, or custom finish. Refer to finish section on page 73.

NOTE

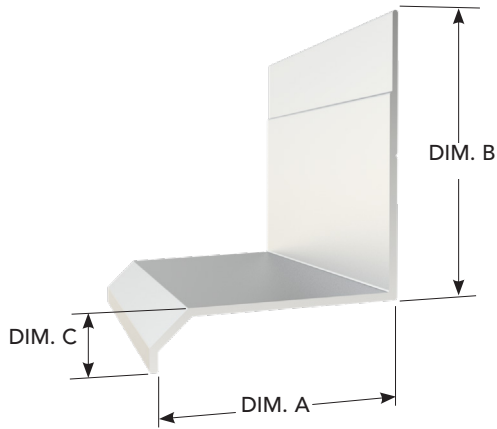
To be used in a horizontal application. Attach panel in accordance with the manufacturer's fastening schedule.

SIZES

	REVEAL DEPTH	NUMBER
H6	NOM. 9/16"	FCP-SHOZ5625

PRODUCT DETAIL

H7 / H8 DRIP CAP



GUIDE SPECIFICATION

Where indicated on drawings, Fry Reglet Drip Cap, as manufactured by Fry Reglet Corporation, shall be installed. Aluminum shall be extruded alloy 6063 T5. Available in primed, clear anodized, powder coated, or custom finish. Refer to finish section on page 73.

NOTE

To be used in a horizontal application. Attach panel in accordance with the manufacturer's fastening schedule.

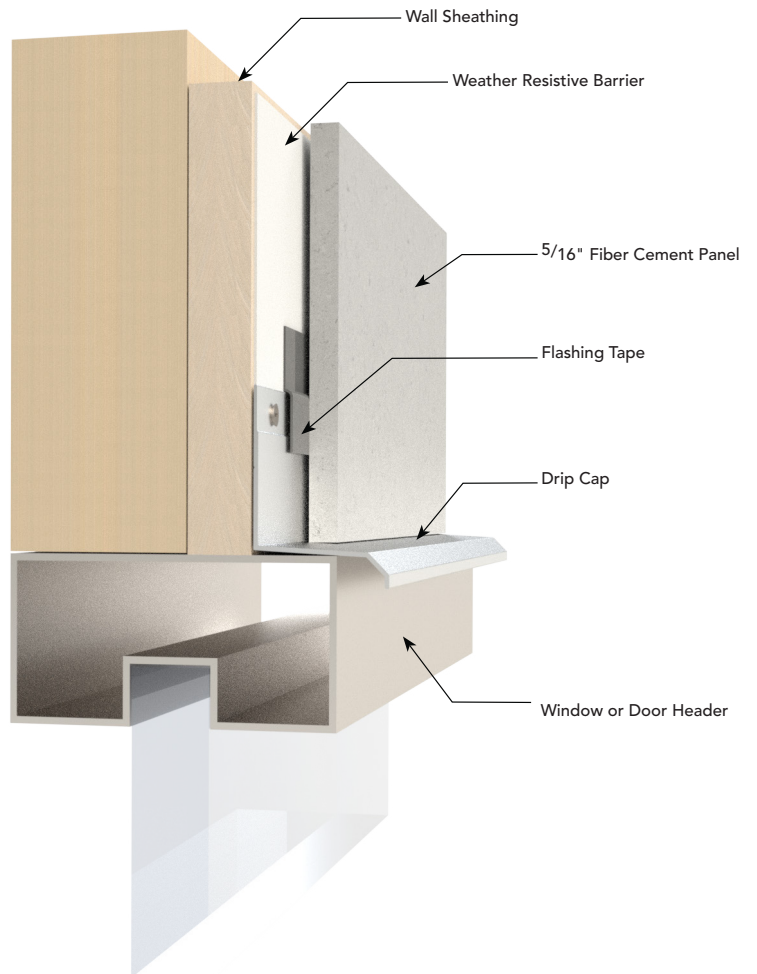
SIZES

	DIM. A	DIM. B	DIM. C	NUMBER
H7	7/8"	1 1/2"	1/2"	FCP-DRIP CAP 875
H8	1 1/2"	1 3/4"	3/8"	FCP-DRIP CAP

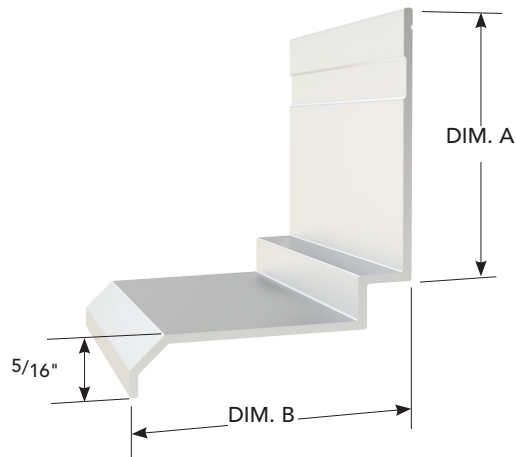
INSTALLATION DETAIL / Cross Section

USAGE

The Drip Cap creates a traditional reveal between horizontal ends of 5/16" fiber cement panels. The exposed reveal is angled to channel moisture away from the building's envelope. This profile is ideal for headers at window/door conditions, and as a starter on a rain screen system. The Drip Cap is available in 12' lengths and a variety of finishes.



PRODUCT DETAIL



GUIDE SPECIFICATION

Where indicated on drawings, Fry Reglet Double Drip Cap, as manufactured by Fry Reglet Corporation, shall be installed. Aluminum shall be extruded alloy 6063 T5. Available in primed, clear anodized, powder coated, or custom finish. Refer to finish section on page 73.

NOTE

To be used in a horizontal application. Attach panel in accordance with the manufacturer's fastening schedule.

SIZES

	DIM. A	DIM. B	NUMBER
H9	1 1/2"	1 9/16"	FCP-DRIPCAPDBL

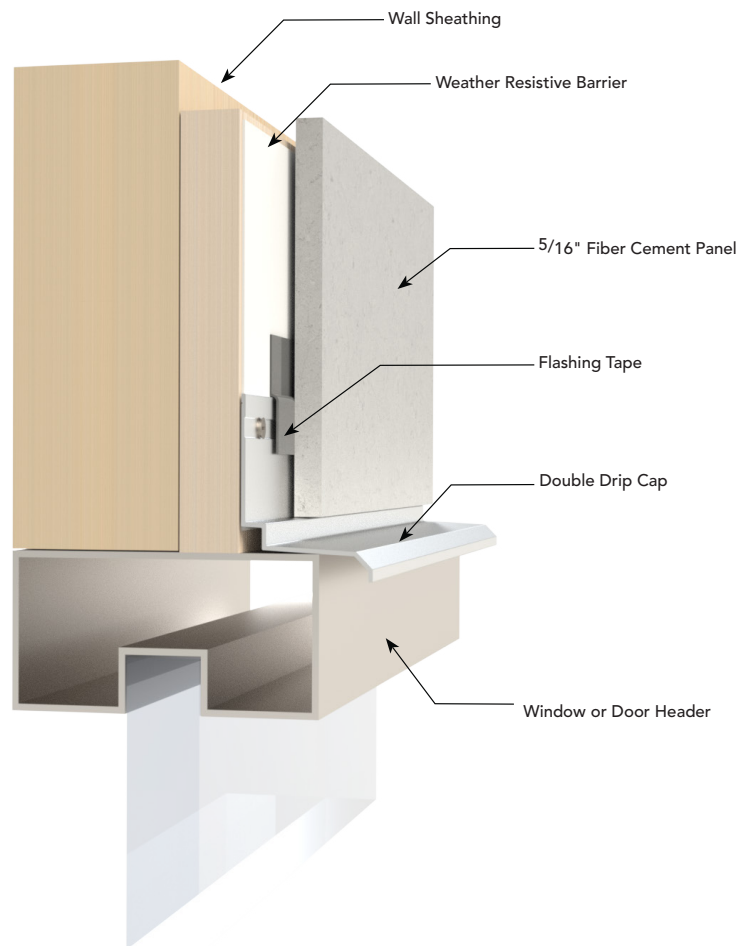
INSTALLATION DETAIL / Cross Section

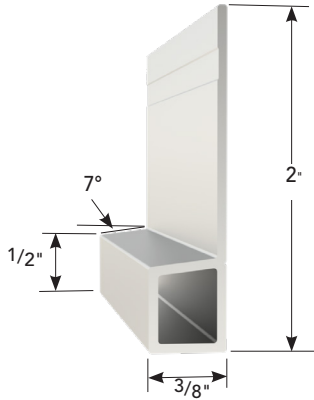
DOUBLE DRIP CAP

H9

USAGE

The Double Drip Cap creates a traditional double reveal between horizontal ends of 5/16" fiber cement panels. The exposed reveal is angled to channel moisture away from the building's envelope. This profile is ideal for headers at window/door conditions. The Double Drip Cap is available in 12' lengths and a variety of finishes.





**USAGE**

The Base creates a traditional reveal used as a starting, continuous horizontal ledge of 5/16" fiber cement siding. The exposed reveal is angled to channel moisture away from the building's envelope. The Base is available in 10' lengths and a variety of finishes.

**GUIDE SPECIFICATION**

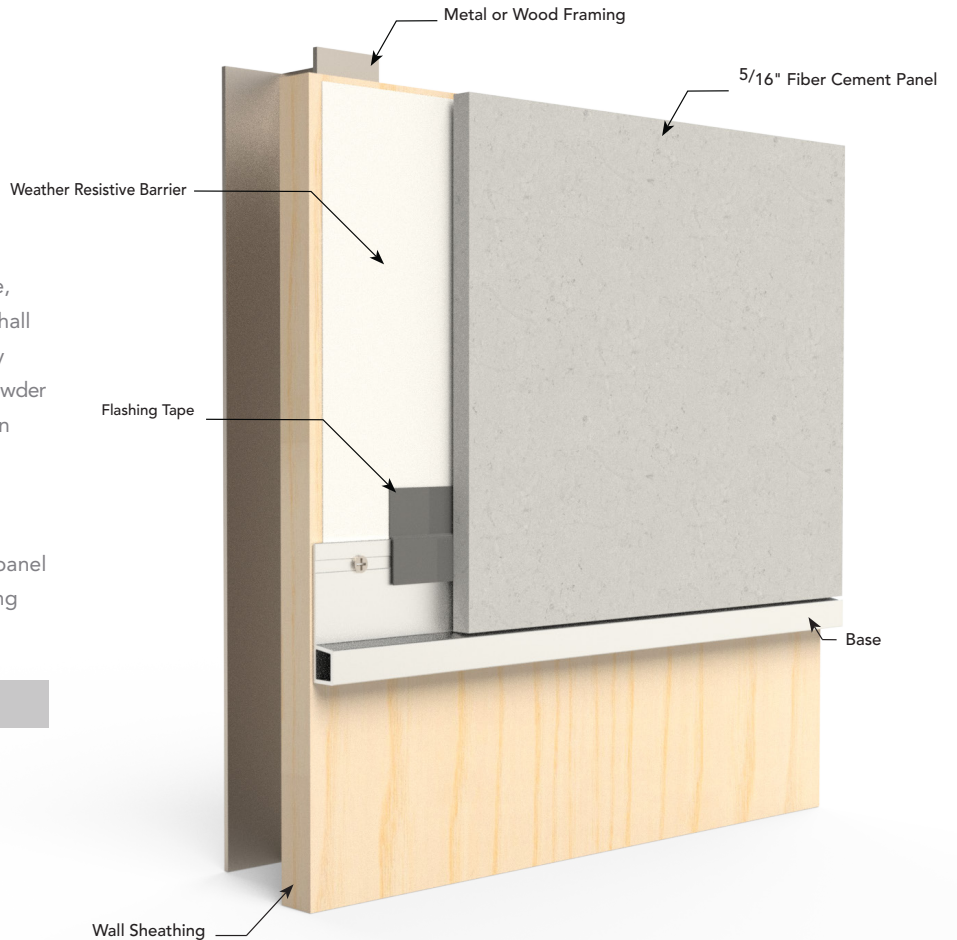
Where indicated on drawings, Fry Reglet Base, as manufactured by Fry Reglet Corporation, shall be installed. Aluminum shall be extruded alloy 6063 T5. Available in primed, clear anodized, powder coated, or custom finish. Refer to finish section on page 73.

**NOTE**

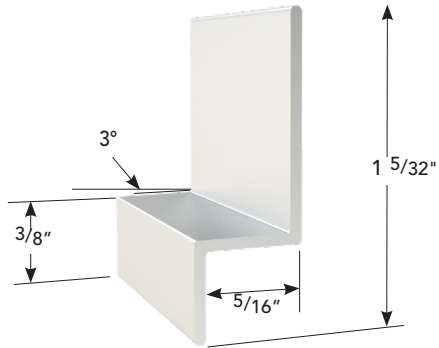
To be used in a horizontal application. Attach panel in accordance with the manufacturer's fastening schedule.

**SIZES**

	REVEAL DEPTH	NUMBER
H10	NOM. 3/8"	FCP-BASE



PRODUCT DETAIL



INSTALLATION DETAIL / Cross Section

PANEL FLASHING

H11

USAGE

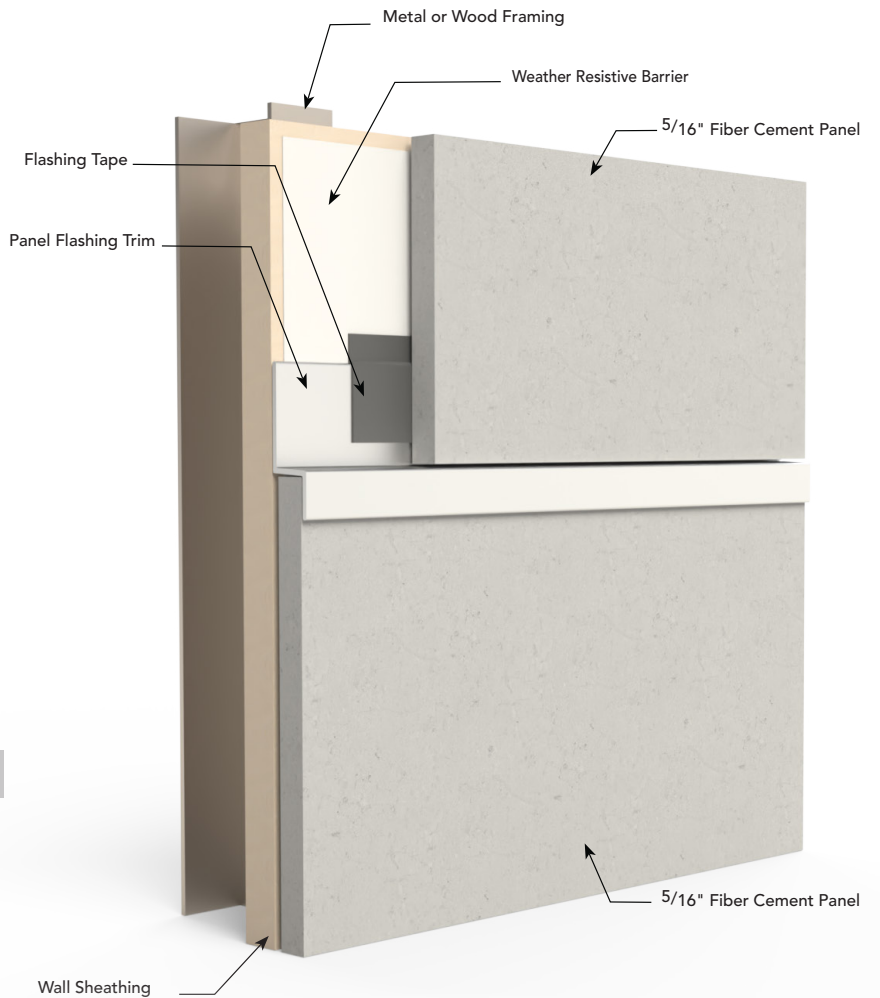
The Panel Flashing creates a traditional reveal between horizontal ends of 5/16" fiber cement panels. The exposed flange is angled to channel moisture away from the building's envelope. This profile is ideal for a general-purpose flashing and is economical in price with the advantages of extruded aluminum. The Panel Flashing is available in 8' lengths.

GUIDE SPECIFICATION

Where indicated on drawings, Fry Reglet Panel Flashing, as manufactured by Fry Reglet Corporation, shall be installed. Aluminum shall be extruded alloy 6063 T5. Available in primed, clear anodized, powder coated, or custom finish. Refer to finish section on page 73.

NOTE

To be used in a horizontal application. Attach panel in accordance with the manufacturer's fastening schedule.



SIZES

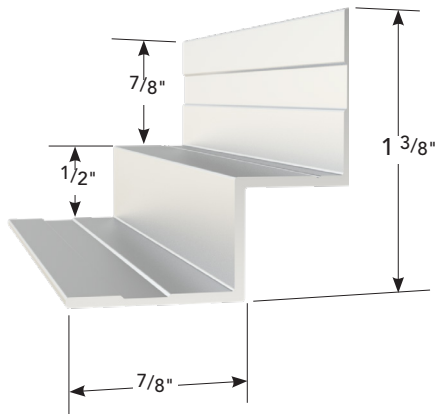
	REVEAL DEPTH	NUMBER
H11	NOM. 5/16"	FCP-P FLASH

PRODUCT DETAIL

INSTALLATION DETAIL / Cross Section

IC1

INSIDE  
CORNER



USAGE

The Inside Corner creates a square and true termination at inside corners of 5/16" fiber cement panels. This allows for easy installation and minimal extrusion exposed for a clean aesthetic. The Inside Corner is available in 10' lengths and a variety of finishes.

GUIDE SPECIFICATION

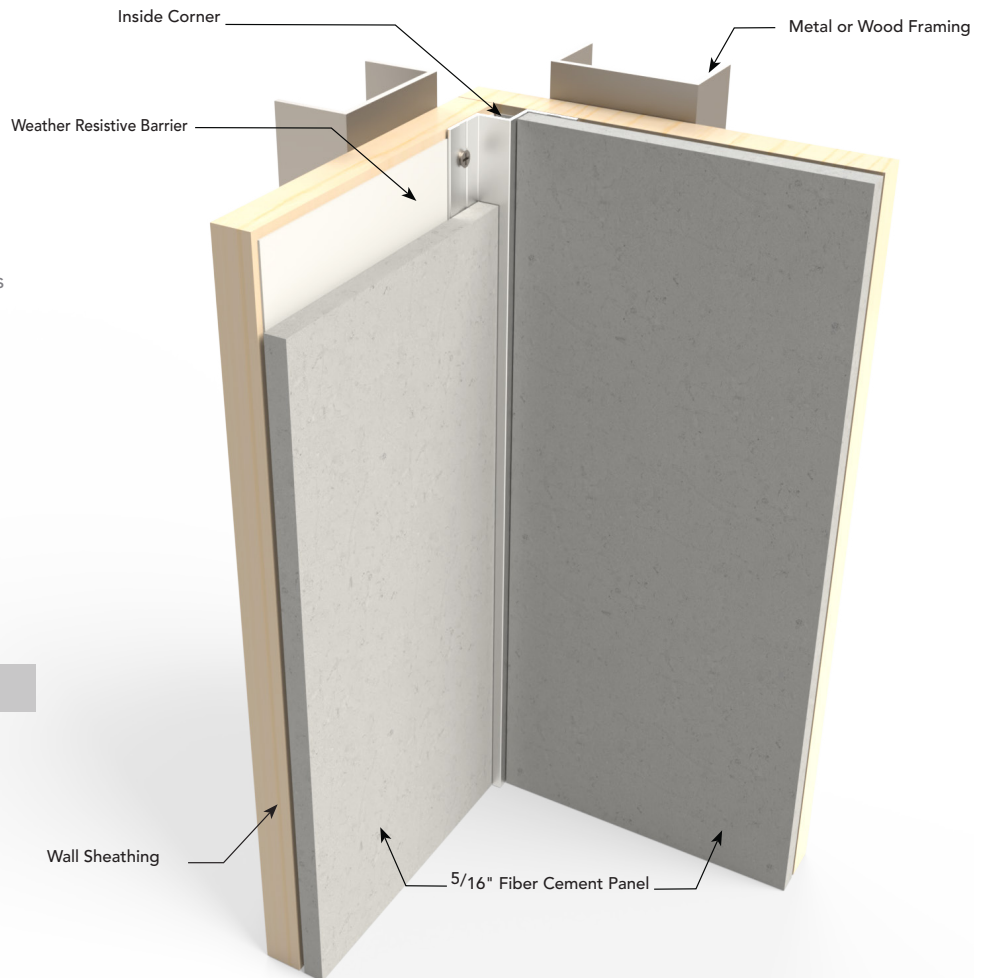
Where indicated on drawings, Fry Reglet Inside Corner, as manufactured by Fry Reglet Corporation, shall be installed per manufacturer's recommendations. Aluminum shall be extruded alloy 6063 T5. Available in primed, clear anodized, powder coated, or custom finish. Refer to finish section on page 73.

NOTE

To be used in a vertical application. Attach panel in accordance with the manufacturer's fastening schedule.

SIZES

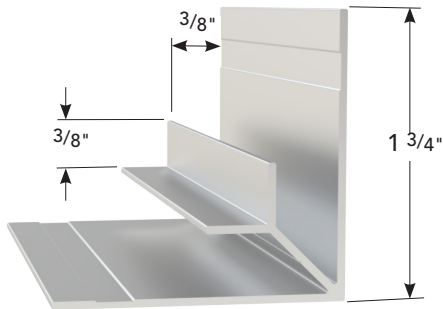
	REVEAL DEPTH	NUMBER
IC1	1/2"	FCP-INSIDE CNR



PRODUCT DETAIL

INSTALLATION DETAIL / Cross Section

INTEGRAL INSIDE CORNER IC2



USAGE

The Integral Inside Corner creates a traditional termination at inside corners of 5/16" fiber cement panels. The exposed flanges eliminate the need to miter cut in the field, hiding imperfections in field cuts. The Integral Inside Corner is available in 10' lengths and a variety of finishes.

GUIDE SPECIFICATION

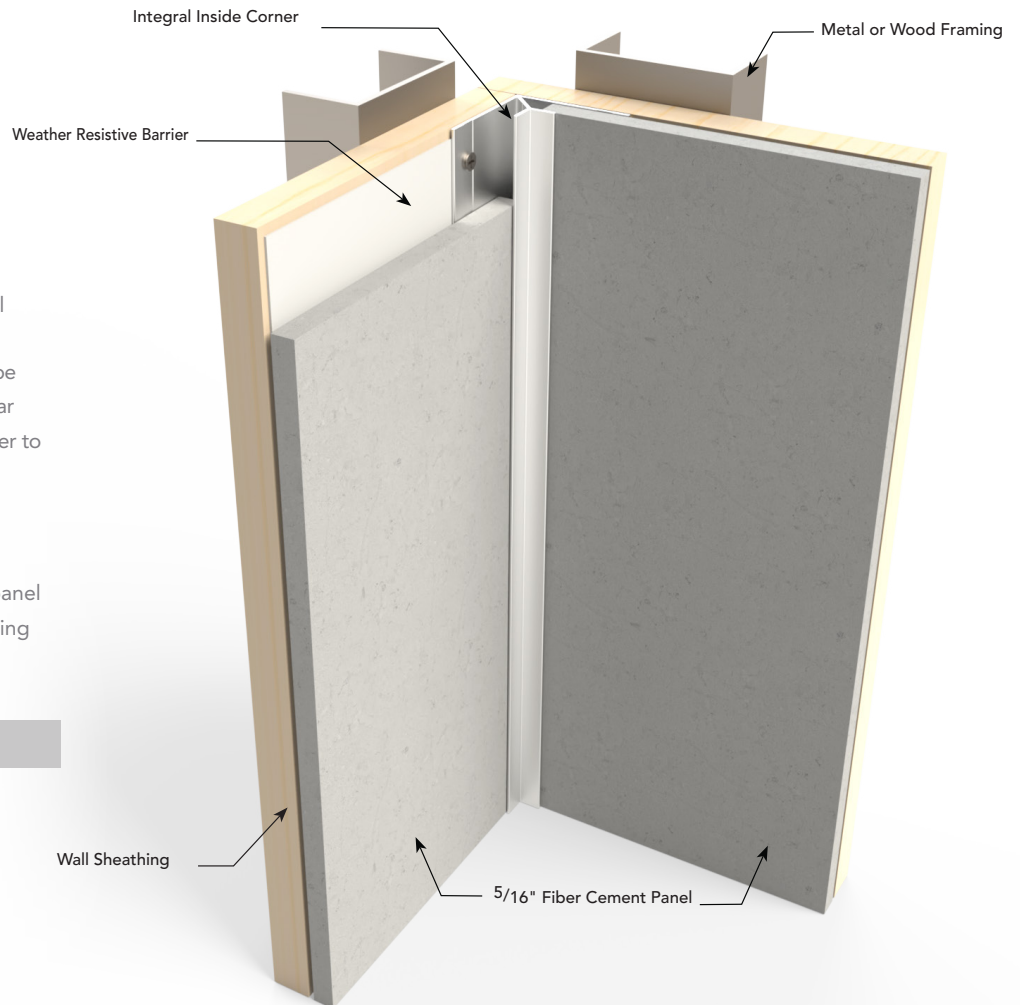
Where indicated on drawings, Fry Reglet Integral Inside Corner, as manufactured by Fry Reglet Corporation, shall be installed. Aluminum shall be extruded alloy 6063 T5. Available in primed, clear anodized, powder coated, or custom finish. Refer to finish section on page 73.

NOTE

To be used in a vertical application. Attach panel in accordance with the manufacturer's fastening schedule.

SIZES

	REVEAL DEPTH	NUMBER
IC2	3/8"	FCP-INTISCNR

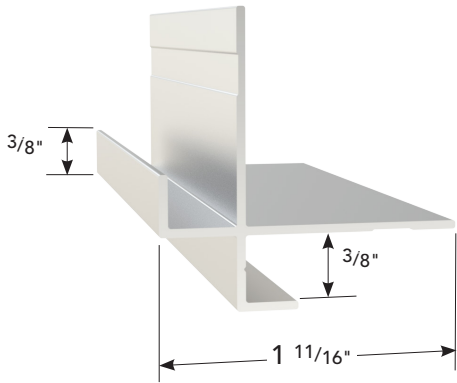


PRODUCT DETAIL

INSTALLATION DETAIL / Cross Section

OC1

OUTSIDE  
CORNER



USAGE

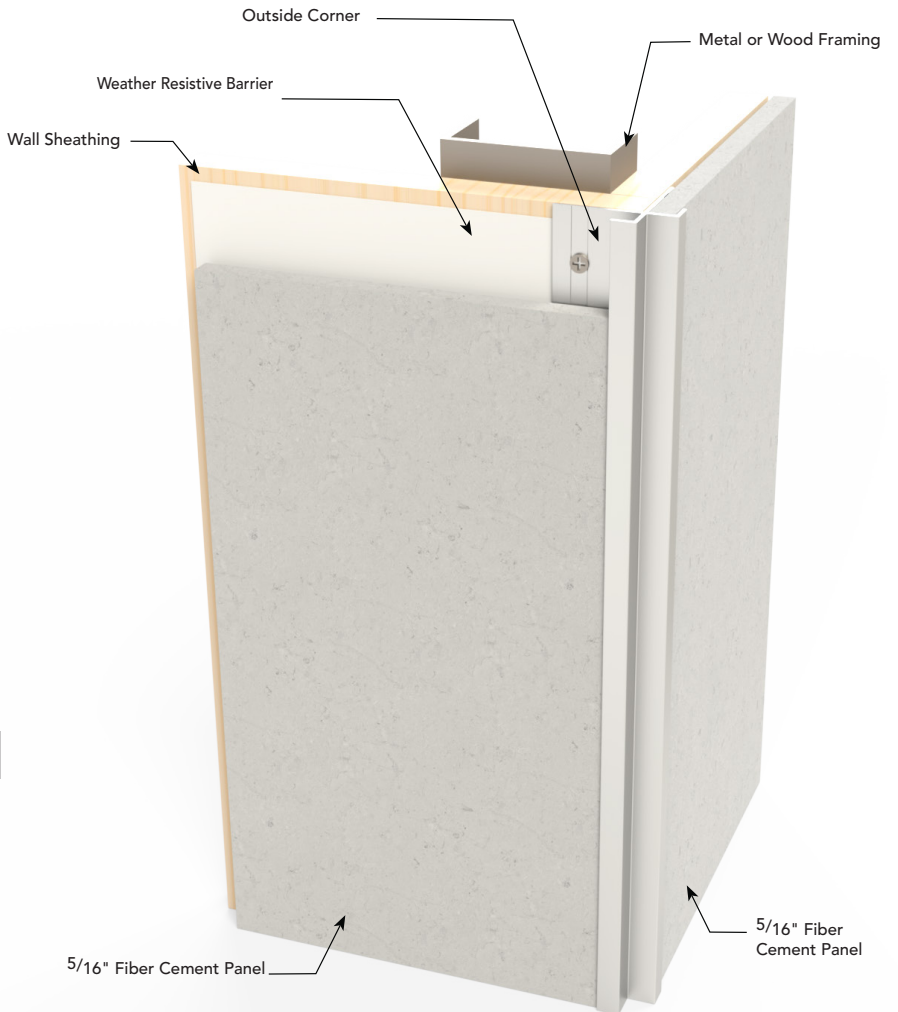
The Outside Corner creates a traditional reveal at outside corners of 5/16" fiber cement panels. The exposed reveal eliminates the need to miter cut in the field, hiding imperfections in field cuts. The Outside Corner is available in 10' lengths and variety of finishes.

GUIDE SPECIFICATION

Where indicated on drawings, Fry Reglet Outside Corner, as manufactured by Fry Reglet Corporation, shall be installed. Aluminum shall be extruded alloy 6063 T5. Available in primed, clear anodized, powder coated, or custom finish. Refer to finish section on page 73.

NOTE

To be used in a vertical application. Attach panel in accordance with the manufacturer's fastening schedule.



SIZES

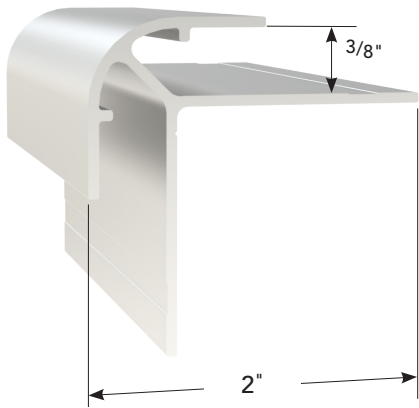
	REVEAL DEPTH	NUMBER
OC1	NOM. 3/8"	FCP-OUTSIDE CNR



PRODUCT DETAIL

INSTALLATION DETAIL / Cross Section

**BULLNOSE  
OUTSIDE CORNER** OC2



**USAGE**

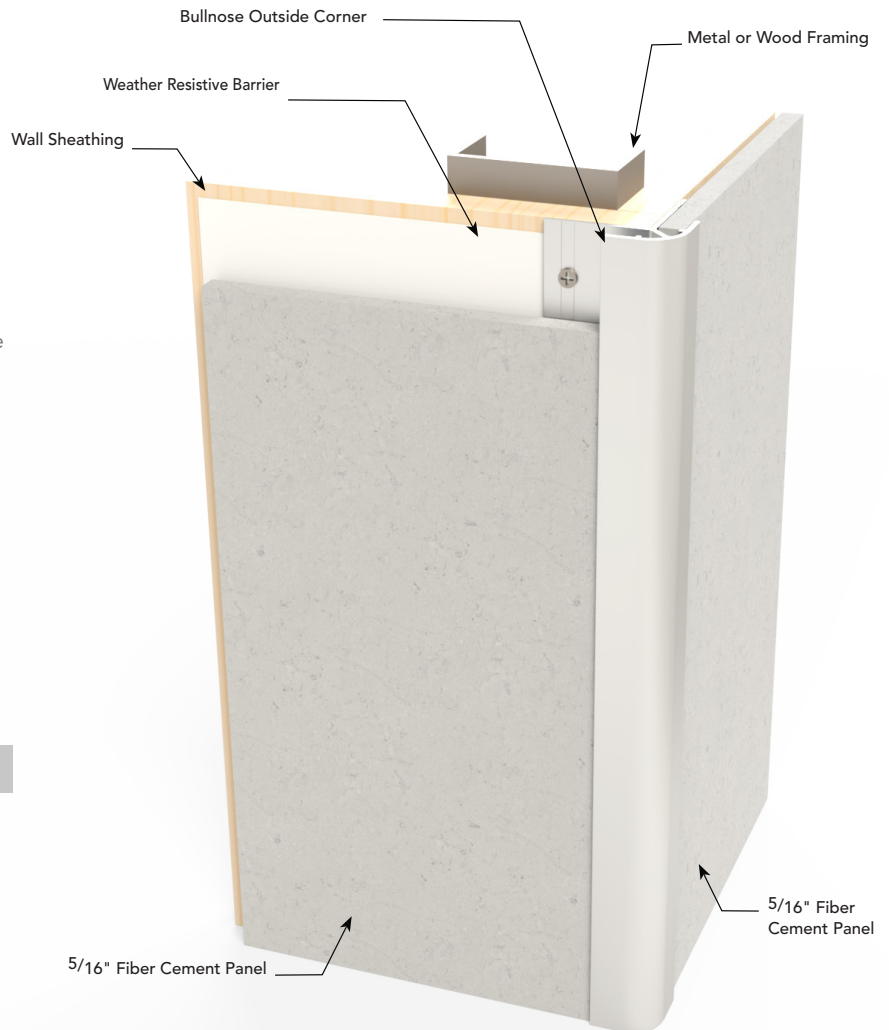
The Bullnose Outside Corner creates a rounded corner at outside corners of 5/16" fiber cement panels. The exposed corner eliminates the need to miter cut in the field, hiding imperfections in field cuts. The Bullnose Outside Corner is available in 10' lengths and a variety of finishes.

**GUIDE SPECIFICATION**

Where indicated on drawings, Fry Reglet Bullnose Outside Corner, as manufactured by Fry Reglet Corporation, shall be installed. Aluminum shall be extruded alloy 6063 T5. Available in primed, clear anodized, powder coated, or custom finish. Refer to finish section on page 73.

**NOTE**

To be used in a vertical application. Attach panel in accordance with the manufacturer's fastening schedule.



SIZES

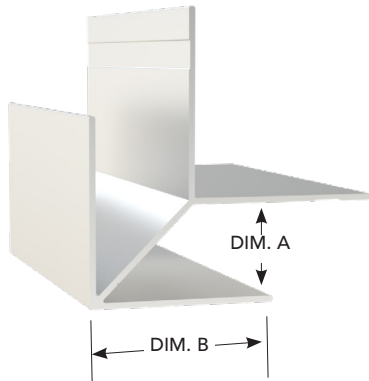
	REVEAL DEPTH	NUMBER
<b>OC2</b>	NOM. 3/8"	FCP-BULLNOSE

PRODUCT DETAIL

INSTALLATION DETAIL / Cross Section

OC3

INTEGRAL  
OUTSIDE  
CORNER



USAGE

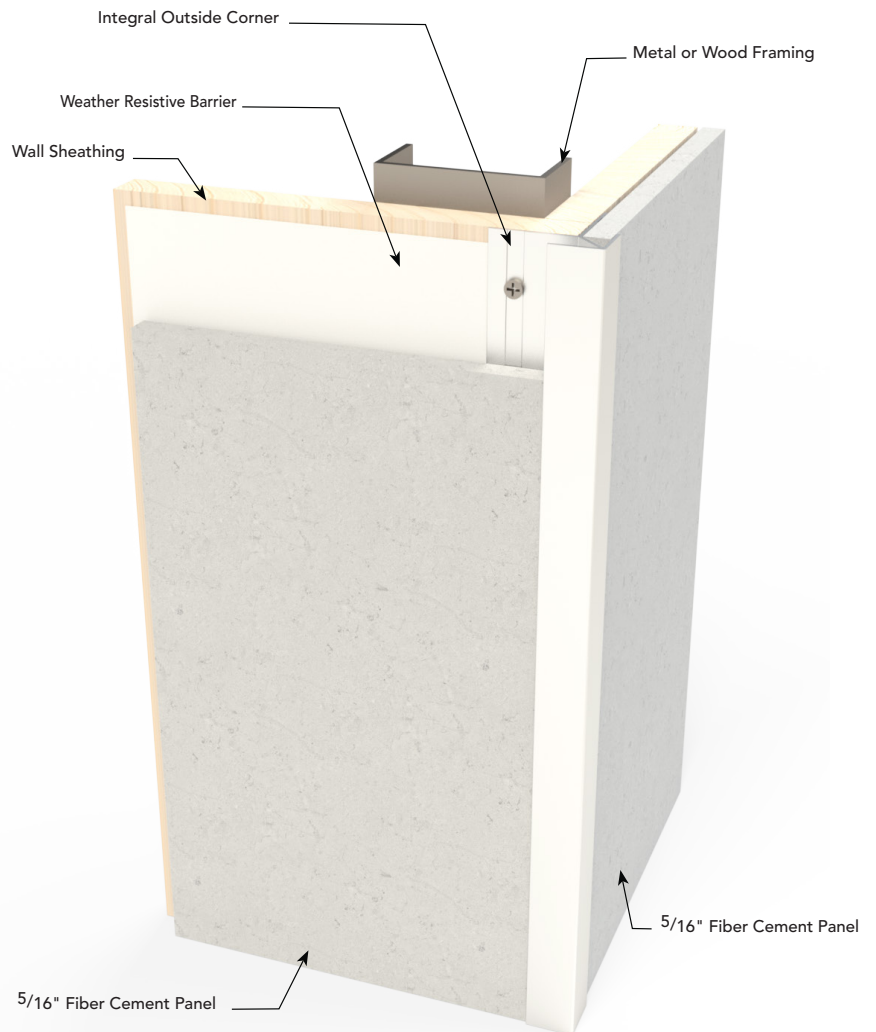
The Integral Outside Corner creates a traditional 90 degree corner at outside corners of 5/16" fiber cement panels. The exposed corner eliminates the need to miter cut in the field, hiding imperfection in field cuts. The Integral Outside Corner is available in 10' lengths and a variety of finishes.

GUIDE SPECIFICATION

Where indicated on drawings, Fry Reglet Integral Outside Corner, as manufactured by Fry Reglet Corporation, shall be installed. Aluminum shall be extruded alloy 6063 T5. Available in primed, clear anodized, powder coated, or custom finish. Refer to finish section on page 73.

NOTE

To be used in a vertical application. Attach panel in accordance with the manufacturer's fastening schedule.



SIZES

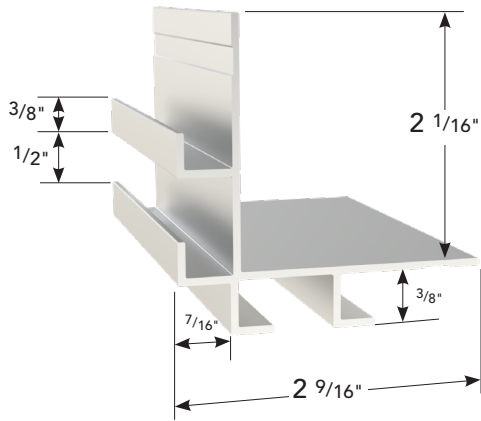
	DIM. A	DIM. B	NUMBER
OC3	NOM. 3/8"	NOM. 3/4"	FCP-INTOSCNR

PRODUCT DETAIL

INSTALLATION DETAIL / Cross Section

**DOUBLE  
OUTSIDE  
CORNER**

**OC4**



**USAGE**

The Double Outside Corner creates a traditional double reveal at outside corners of 5/16" fiber cement panels. The exposed reveal eliminates the need to miter cut in the field, hiding imperfections in field cuts. The Double Outside Corner is available in 10' lengths and a variety of finishes.

**GUIDE SPECIFICATION**

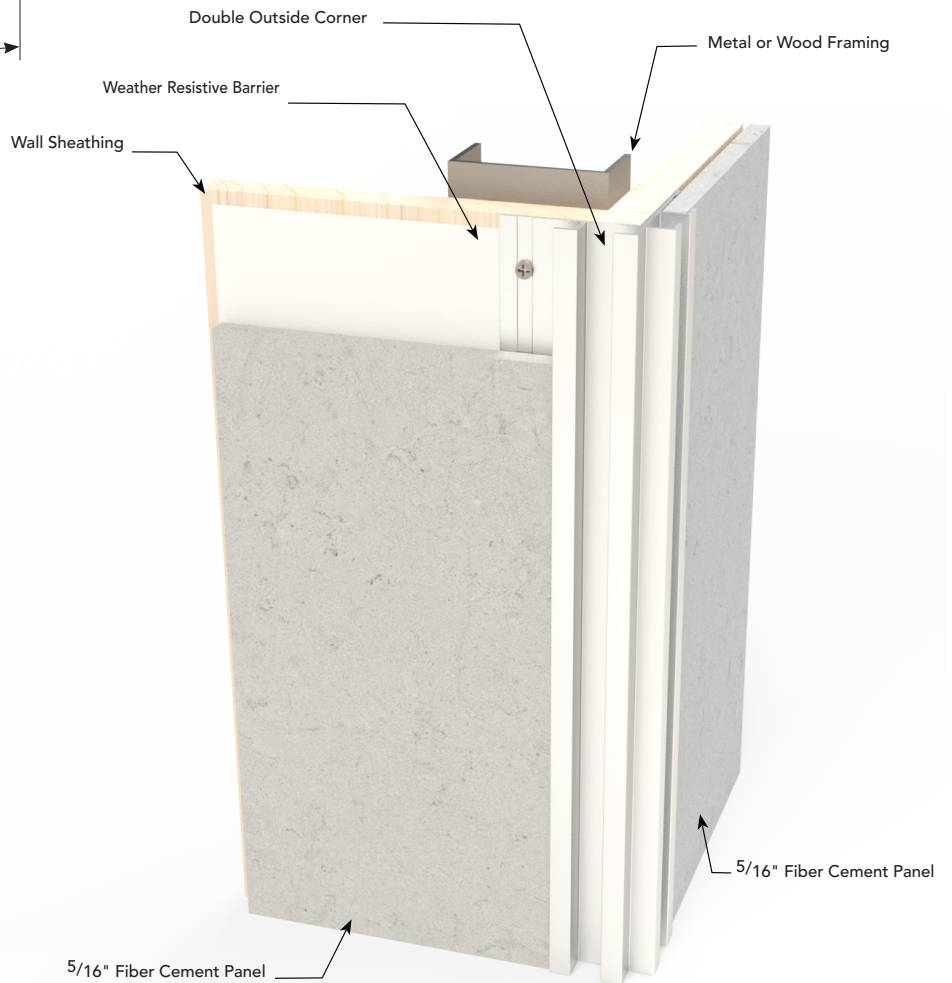
Where indicated on drawings, Fry Reglet Double Outside Corner, as manufactured by Fry Reglet Corporation, shall be installed. Aluminum shall be extruded alloy 6063 T5. Available in primed, clear anodized, powder coated, or custom finish. Refer to finish section on page 73.

**NOTE**

To be used in a vertical application. Attach panel in accordance with the manufacturer's fastening schedule.

**SIZES**

	REVEAL DEPTH	NUMBER
<b>OC4</b>	NOM. 3/8"	FCP-DBLOSC

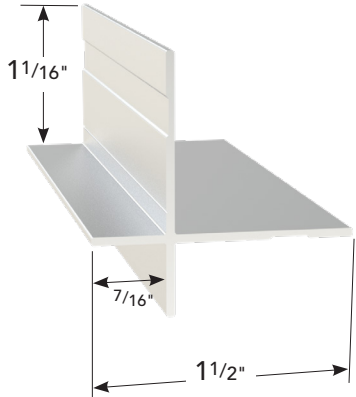


PRODUCT DETAIL

INSTALLATION DETAIL / Cross Section

OCS

SLEEK  
OUTSIDE  
CORNER



USAGE

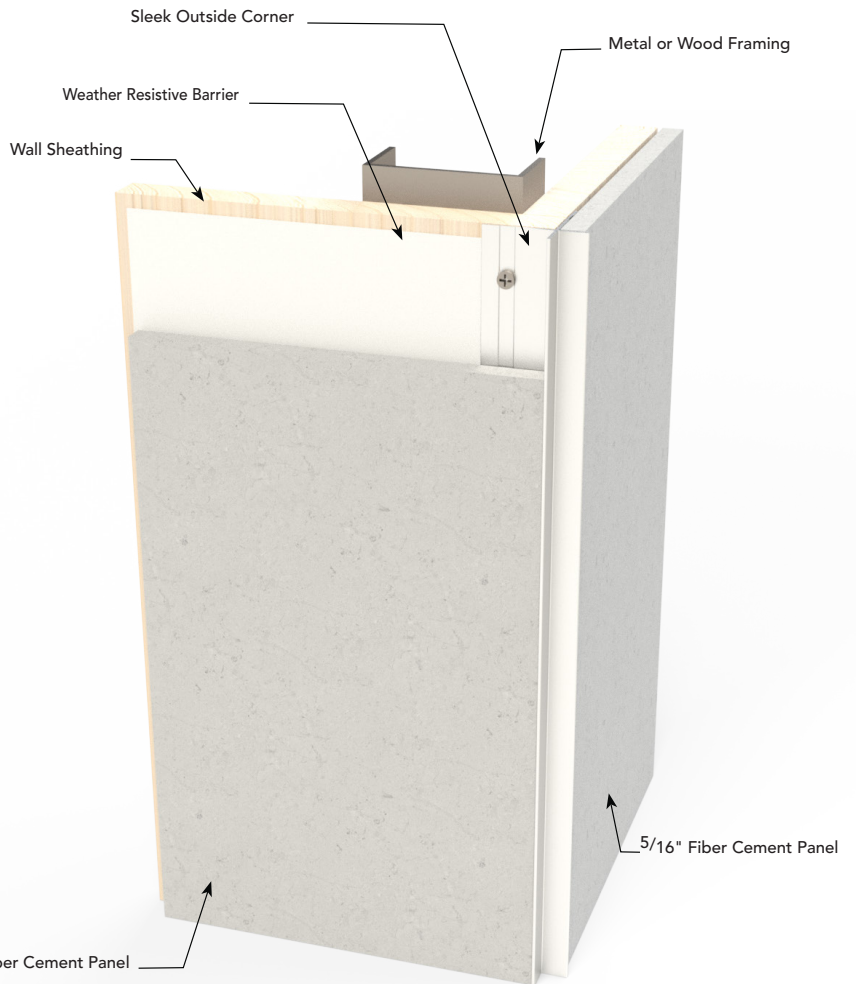
The Sleek Outside Corner creates a contemporary reveal at outside corners of 5/16" fiber cement panels. The exposed reveal allows for easy installation and minimal extrusion exposed for a clean aesthetic. The Sleek Outside Corner is available in 10' lengths and a variety of finishes.

GUIDE SPECIFICATION

Where indicated on drawings, Fry Reglet Sleek Outside Corner, as manufactured by Fry Reglet Corporation, shall be installed. Aluminum shall be extruded alloy 6063 T5. Available in primed, clear anodized, powder coated, or custom finish. Refer to finish section on page 73.

NOTE

To be used in a vertical application. Attach panel in accordance with the manufacturer's fastening schedule.



SIZES

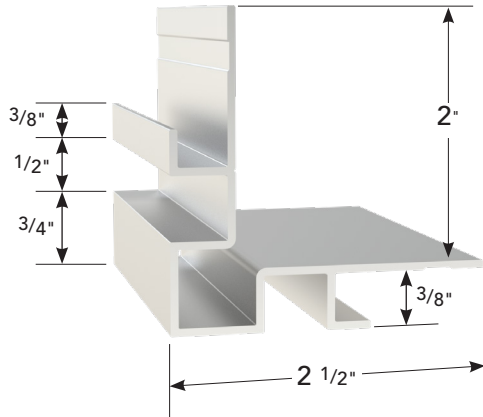
	REVEAL DEPTH	NUMBER
OCS	7/16"	FCP-LPO/SCNR

PRODUCT DETAIL

INSTALLATION DETAIL / Cross Section

**BATTEN  
OUTSIDE  
CORNER**

**OC6**



**USAGE**

The Batten Outside Corner creates a bold reveal at outside corners of 5/16" fiber cement panels. The exposed flanges eliminate the need to miter cut in the field, hiding imperfections in field cuts. The Batten Outside Corner is available in 10' lengths and a variety of finishes.

**GUIDE SPECIFICATION**

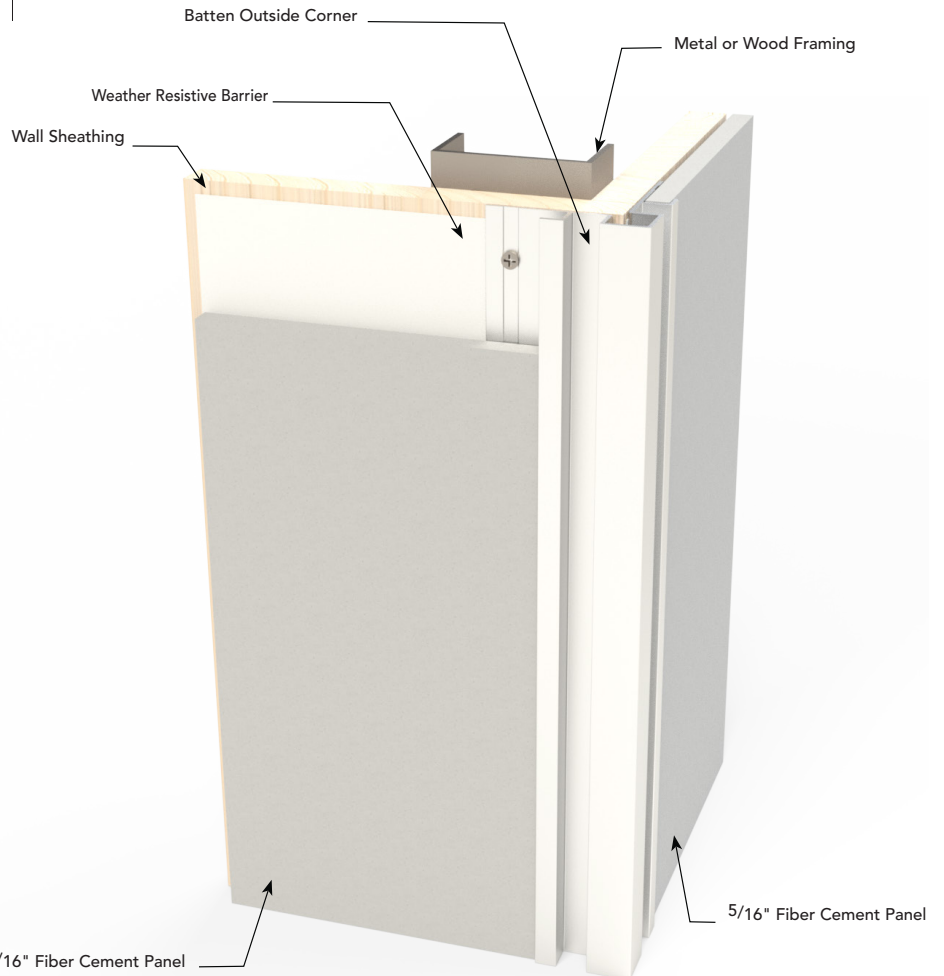
Where indicated on drawings, Fry Reglet Batten Outside Corner, as manufactured by Fry Reglet Corporation, shall be installed. Aluminum shall be extruded alloy 6063 T5. Available in primed, clear anodized, powder coated, or custom finish. Refer to finish section on page 73.

**NOTE**

To be used in a vertical application. Attach panel in accordance with the manufacturer's fastening schedule.

**SIZES**

	REVEAL DEPTH	NUMBER
<b>OC6</b>	NOM. 3/8"	FCP-O/SCNRRVL

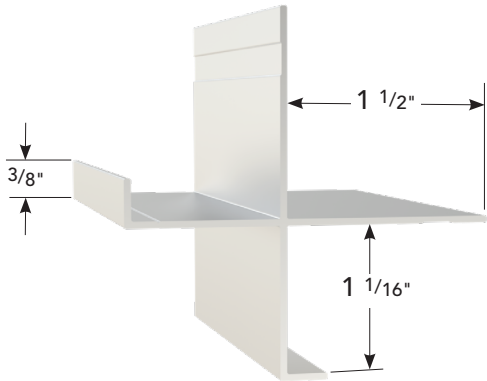


PRODUCT DETAIL

INSTALLATION DETAIL / Cross Section

OC7

OUTSIDE  
CORNER 1060



USAGE

The Outside Corner 1060 creates a traditional reveal at outside corners of 5/8" fiber cement panels when used with 3/8" furring strips. The exposed reveal eliminates the need to miter cut in the field, hiding imperfections in field cuts. The Outside Corner 1060 is available in 10' lengths and a variety of finishes.

GUIDE SPECIFICATION

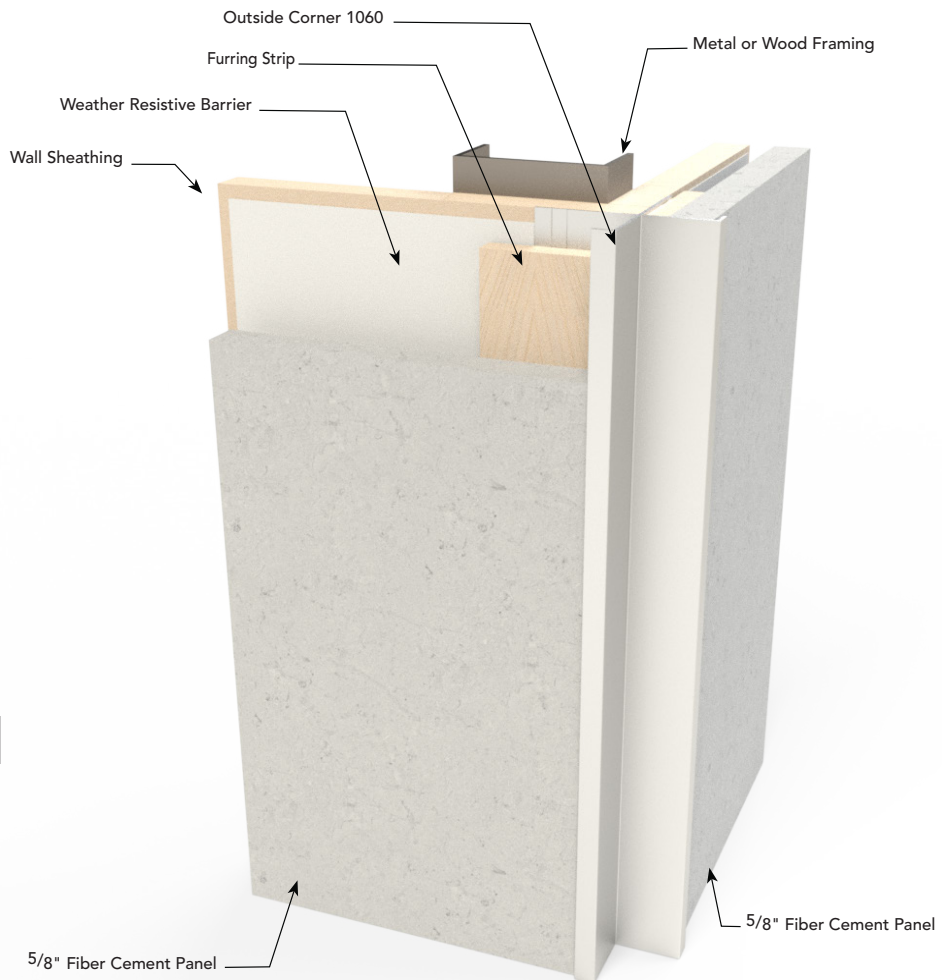
Where indicated on drawings, Fry Reglet Outside Corner 1060, as manufactured by Fry Reglet Corporation, shall be installed per manufacturer's recommendations. Aluminum shall be extruded alloy 6063 T5. Available in primed, clear anodized, powder coated, or custom finish. Refer to finish section on page 73.

NOTE

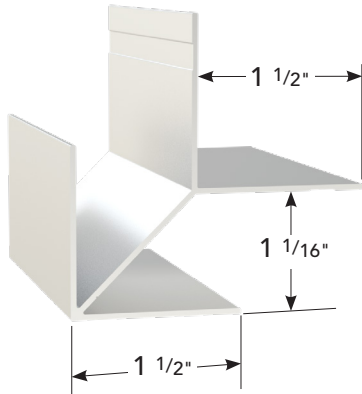
To be used in a vertical application. Attach panel in accordance with the manufacturer's fastening schedule.

SIZES

	REVEAL DEPTH	NUMBER
OC7	NOM. 1 1/16"	FCP-OSC 1060



PRODUCT DETAIL



INSTALLATION DETAIL / Cross Section

INTEGRAL OUTSIDE OC8 CORNER 1060

USAGE

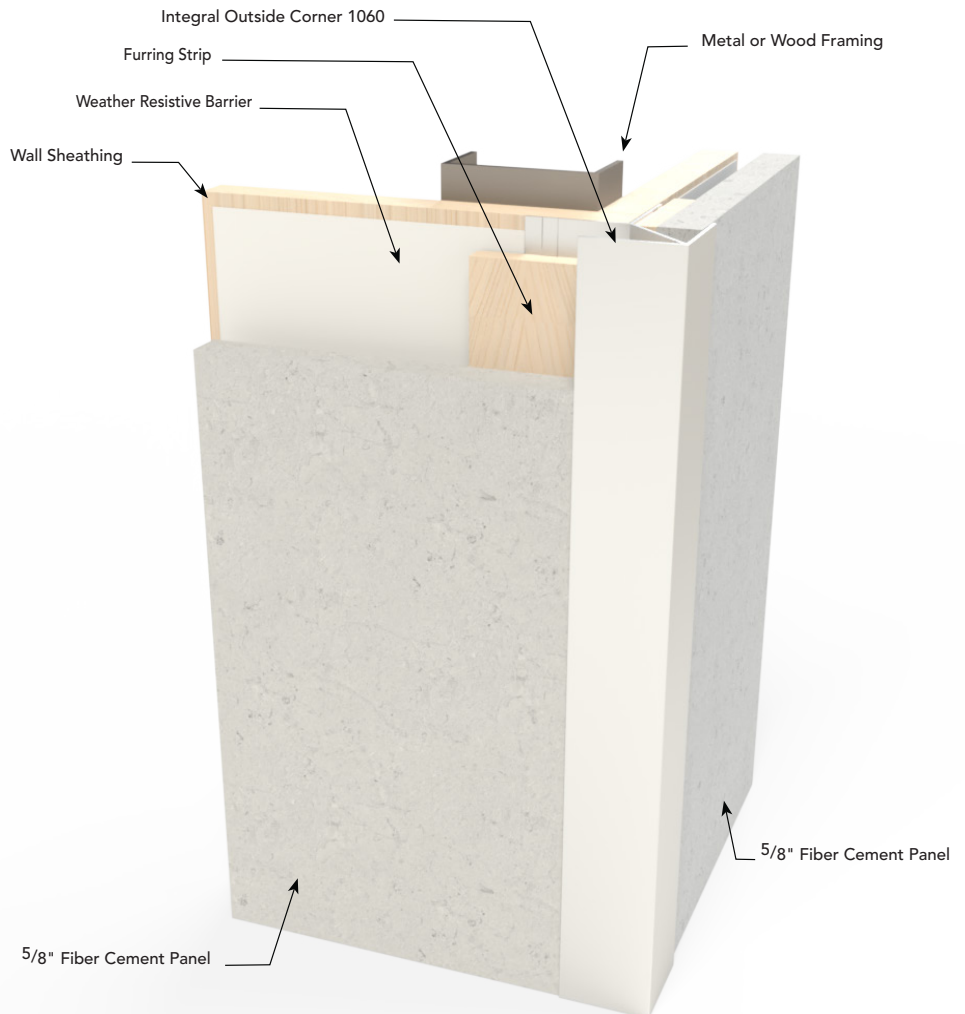
The Integral Outside Corner 1060 creates a traditional 90 degree corner at outside corners of 5/8" fiber cement panels when used with 3/8" furring strips. The exposed corner eliminates the need to miter cut in the field, hiding imperfections in field cuts. The Integral Outside Corner 1060 is available in 10' lengths and a variety of finishes.

GUIDE SPECIFICATION

Where indicated on drawings, Fry Reglet Integral Outside Corner 1060, as manufactured by Fry Reglet Corporation, shall be installed. Aluminum shall be extruded alloy 6063 T5. Available in primed, clear anodized, powder coated, or custom finish. Refer to finish section on page 73.

NOTE

To be used in a vertical application. Attach panel in accordance with the manufacturer's fastening schedule.



SIZES

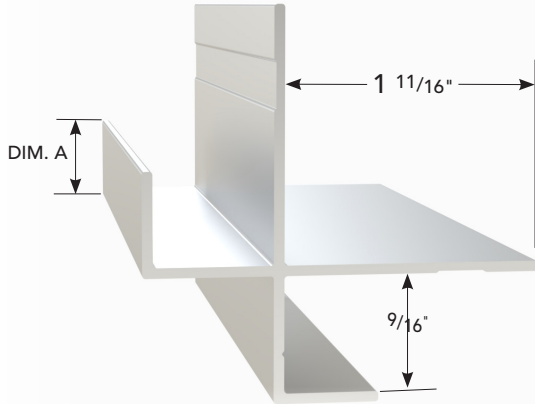
	REVEAL DEPTH	NUMBER
OC8	NOM. 1 1/16"	FCP-INTOSC 1060

PRODUCT DETAIL

INSTALLATION DETAIL / Cross Section

OC9 / OC10

OUTSIDE  
CORNER  
TUCK



USAGE

The Outside Corner Tuck creates a traditional reveal at outside corners of 5/16" fiber cement panels. The exposed flanges eliminate the need to miter cut in the field, hiding imperfections in field cuts. The deeper pocket allows for horizontal members to nest inside of the reveal, providing efficient and clean joinery details in the field. The Outside Corner Tuck is available in 10' lengths and a variety of finishes.

GUIDE SPECIFICATION

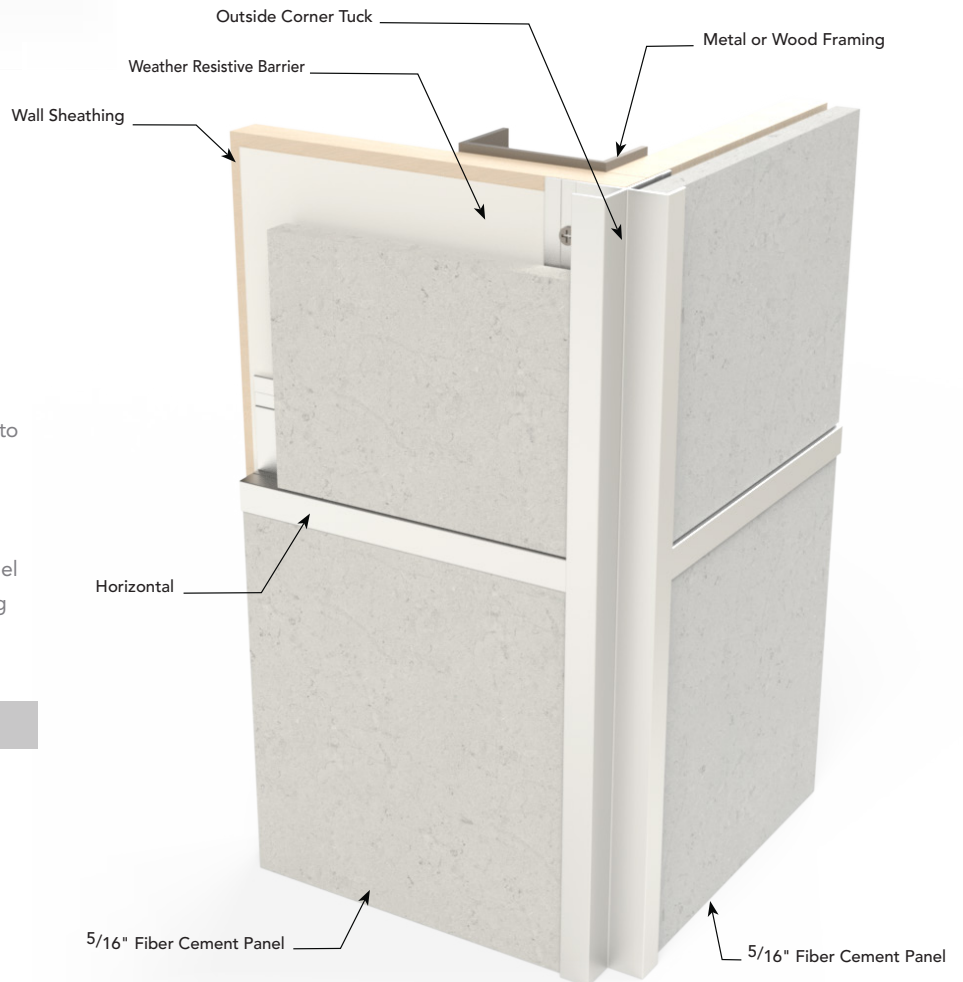
Where indicated on drawings, Fry Reglet Outside Corner Tuck, as manufactured by Fry Reglet Corporation, shall be installed. Aluminum shall be extruded alloy 6063 T5. Available in primed, clear anodized, powder coated, or custom finish. Refer to finish section on page 73.

NOTE

To be used in a vertical application. Attach panel in accordance with the manufacturer's fastening schedule.

SIZES

	DIM. A	NUMBER
OC9	NOM. 3/8"	FCP-XOSC5625-375
OC10	NOM. 1/2"	FCP-XOSC5625-50



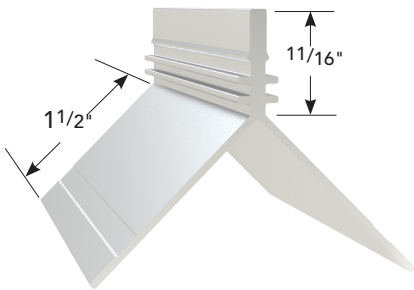


PRODUCT DETAIL

INSTALLATION DETAIL / Cross Section

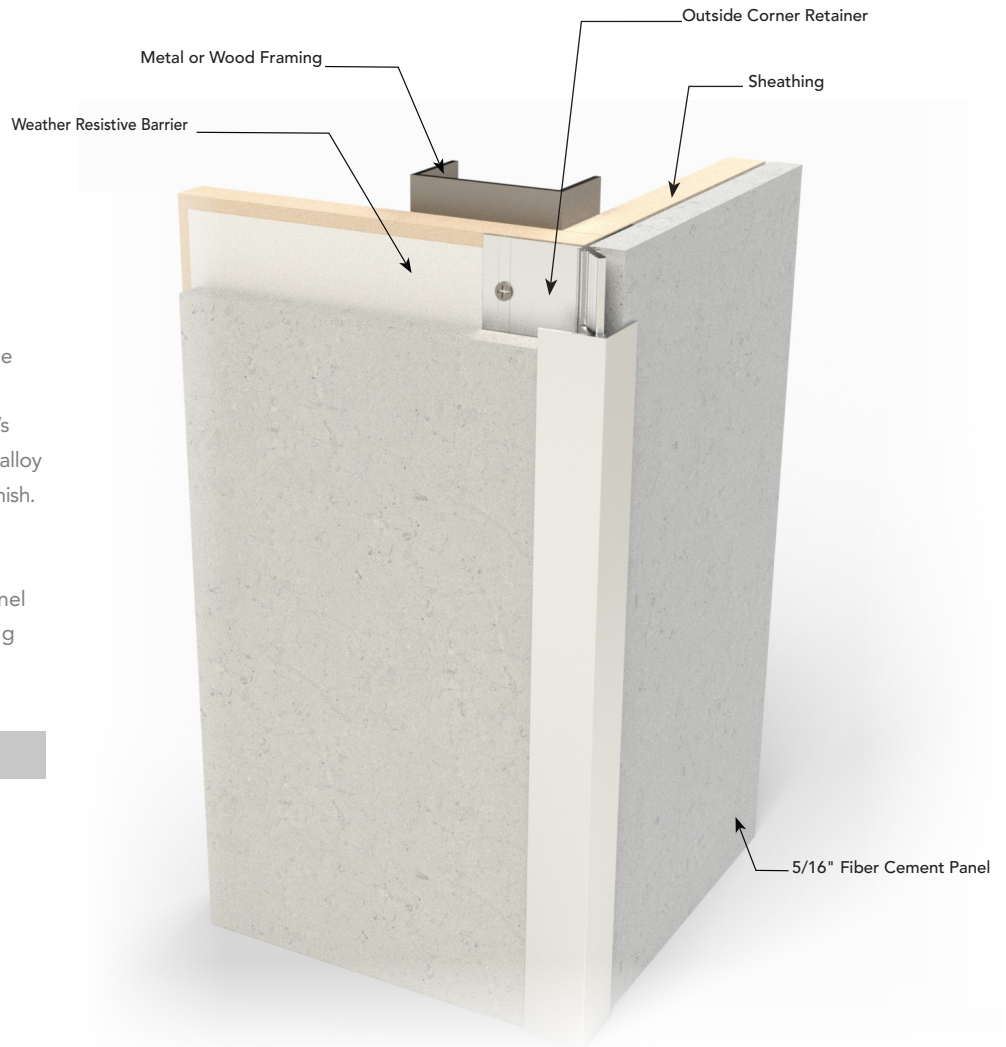
OUTSIDE  
CORNER  
RETAINER

OC11



USAGE

The Outside Corner Retainer is the male portion of an interlocking system that is used in conjunction with the Outside Corner Insert and Outside Corner Insert Lap. The interlocking system allows for horizontal members to nest inside of the flange, providing efficient and clean joinery details in the field. The Outside Corner Retainer is available in 10' Lengths and a clear or primed finish.



GUIDE SPECIFICATION

Where indicated on drawings, Fry Reglet Outside Corner Retainer, as manufactured by Fry Reglet Corporation, shall be installed per manufacturer's recommendations. Aluminum shall be extruded alloy 6063 T5. Available in clear anodized or primed finish.

NOTE

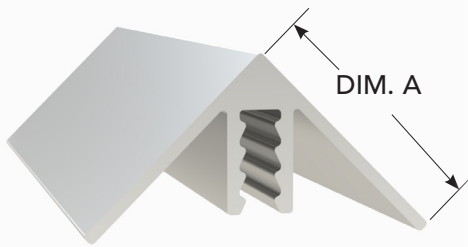
To be used in a vertical application. Attach panel in accordance with the manufacturer's fastening schedule.

SIZES

	REVEAL DEPTH	NUMBER
OC11	NOM. 11/16"	FCP-HSOSCRET

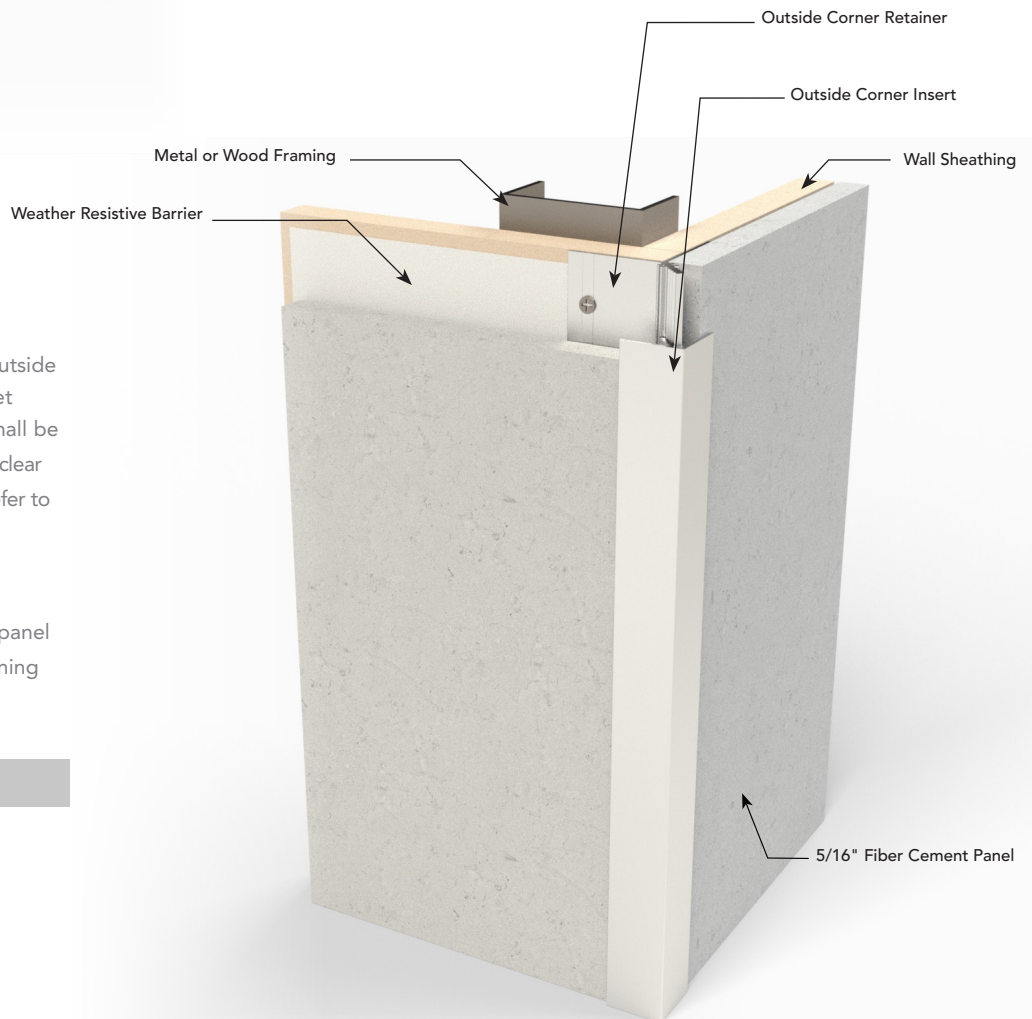
OC12

**OUTSIDE  
CORNER  
INSERT**



**USAGE**

The Outside Corner Insert is the female portion of an interlocking system that creates a traditional 90 degree corner at outside corners of 5/16" fiber cement panels. The exposed corner eliminates the need to miter cut in the field, hiding imperfections in field cuts. The interlocking system allows for horizontal members to nest inside of the flanges, providing efficient and clean joinery details in the field. This is ideal for wrapping columns. The Outside Corner Insert is available in 10' lengths and variety of finishes.



**GUIDE SPECIFICATION**

Where indicated on drawings, Fry Reglet Outside Corner Insert, as manufactured by Fry Reglet Corporation, shall be installed. Aluminum shall be extruded alloy 6063 T5. Available in primed, clear anodized, powder coated, or custom finish. Refer to finish section on page 73.

**NOTE**

To be used in a vertical application. Attach panel in accordance with the manufacturer's fastening schedule.

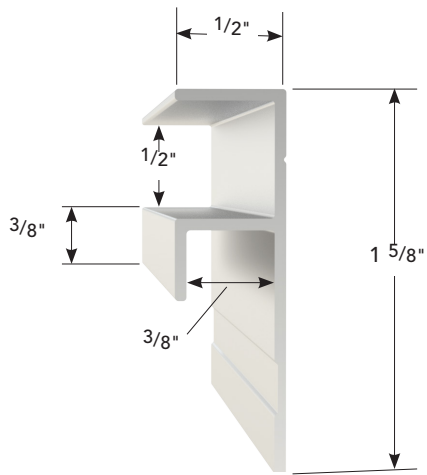
**SIZES**

	REVEAL DEPTH	NUMBER
<b>OC12</b>	NOM. 1"	FCP-HSOSC5625

PRODUCT DETAIL

INSTALLATION DETAIL / Cross Section

F MOLDING T1



GUIDE SPECIFICATION

Where indicated on drawings, Fry Reglet F Molding, as manufactured by Fry Reglet Corporation, shall be installed. Aluminum shall be extruded alloy 6063 T5. Available in primed, clear anodized, powder coated, or custom finish. Refer to finish section on page 73.

NOTE

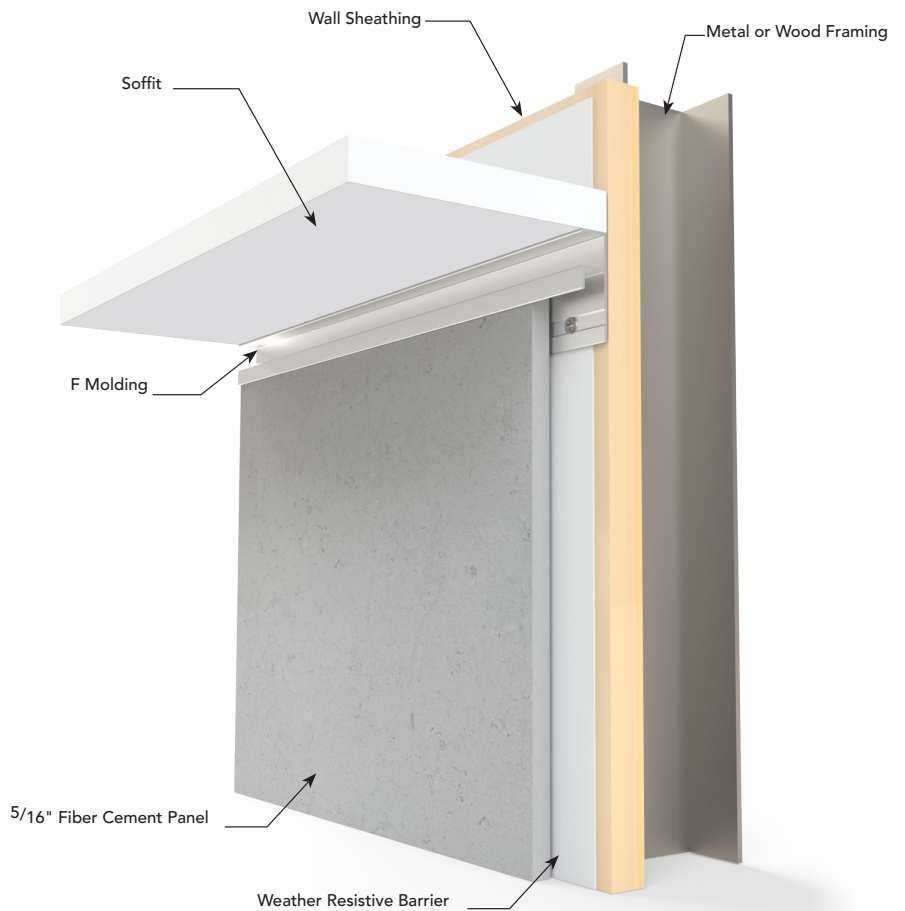
To be used in vertical applications. If used horizontally, do not install with the short leg pointing upwards where moisture can accumulate. Attach panel in accordance with the panel manufacturer's fastening schedule.

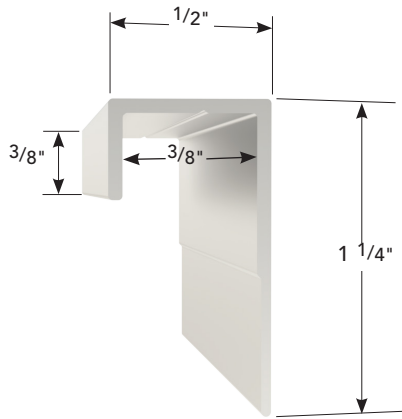
SIZES

	REVEAL DEPTH	NUMBER
T1	NOM. 3/8"	FCP-F MOLD

USAGE

The F Molding creates a 1/2" traditional reveal at terminations of 5/16" fiber cement panels. The exposed F Molding can be used in vertical or horizontal applications, hiding imperfections in field cuts. Creates an ideal usage at terminations between window sills, jambs, and general terminations. The F Molding is available in 10' lengths and a variety of finishes.





**GUIDE SPECIFICATION**

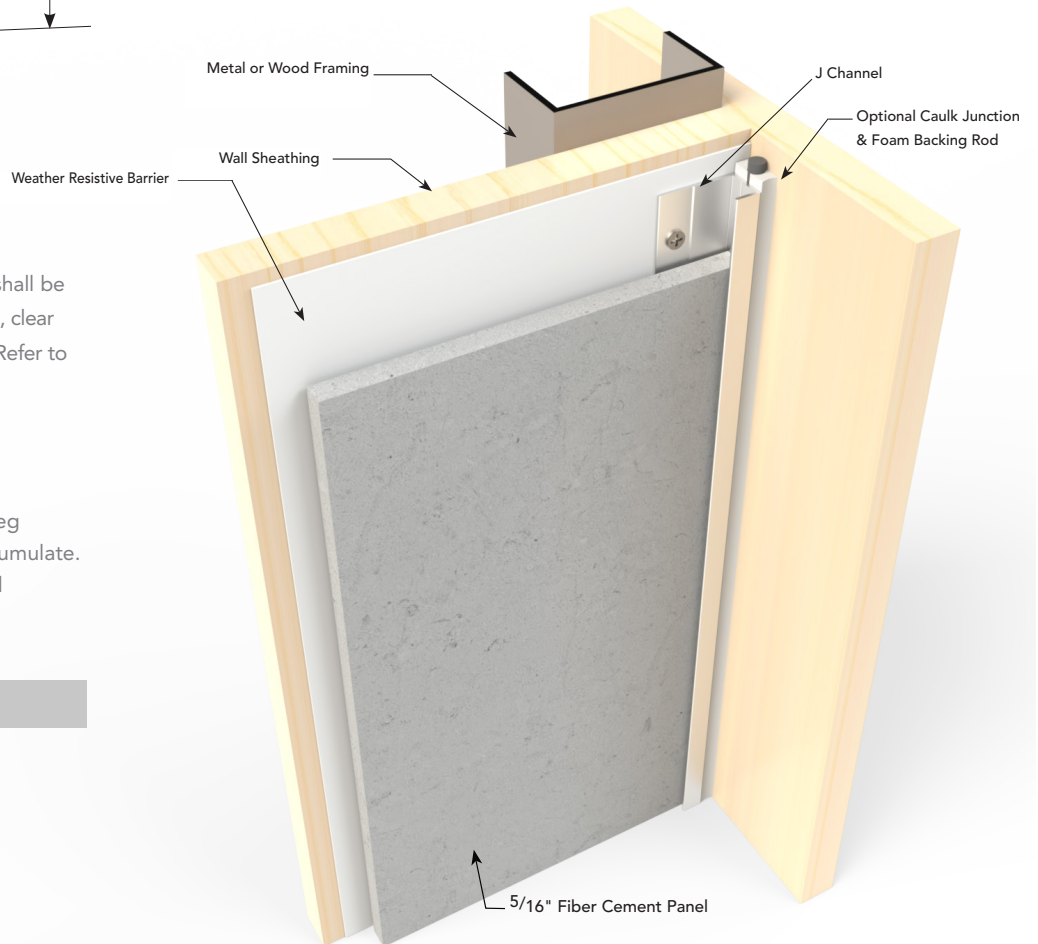
Where indicated on drawings, Fry Reglet J Channel, as manufactured by Fry Reglet Corporation, shall be installed. Aluminum shall be extruded alloy 6063 T5. Available in primed, clear anodized, powder coated, or custom finish. Refer to finish section on page 73.

**NOTE**

To be used in vertical applications. If used horizontally, do not install with the short leg pointing upwards where moisture can accumulate. Attach panel in accordance with the panel manufacturer's fastening schedule.

**USAGE**

The J Channel creates a traditional termination of 5/16" fiber cement panels. The exposed J Channel can be used in vertical and horizontal applications, hiding imperfections in field cuts. Creates an ideal usage at terminations between window sills, jambs, and general terminations. The J Channel is available in 10' lengths and a variety of finishes.



**SIZES**

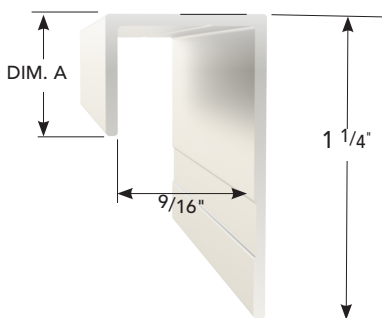
	REVEAL DEPTH	NUMBER
T2	NOM. 3/8"	FCP-J CHANNEL

PRODUCT DETAIL

INSTALLATION DETAIL / Cross Section

J CHANNEL TUCK

T3 / T4



USAGE

The J Channel Tuck creates a traditional termination of 5/16" fiber cement panels. The exposed J Channel Tuck can be used in vertical and horizontal applications, hiding imperfections in field cuts. The deeper pocket allows for horizontal members to nest inside of the reveal, providing efficient and clean joinery details in the field. Ideally used at terminations between window sills, jambs, and general terminations. The J Channel Tuck is available in 10' lengths and a variety of finishes.

GUIDE SPECIFICATION

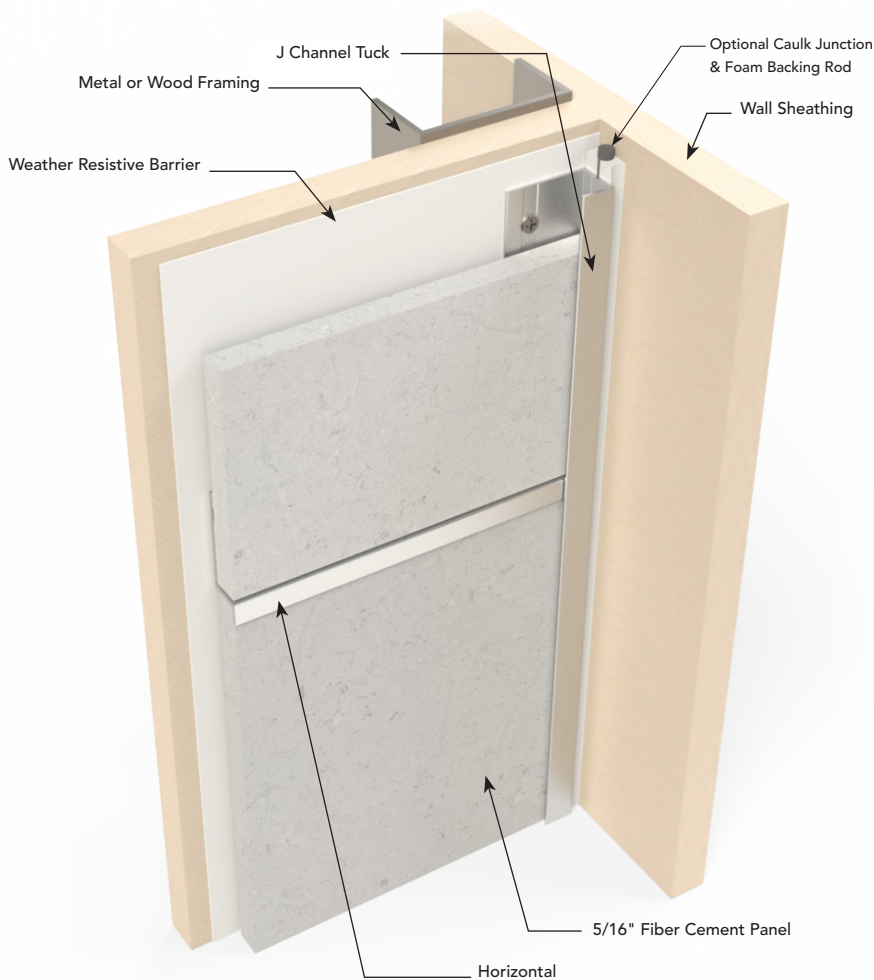
Where indicated on drawings, Fry Reglet J Channel Tuck, as manufactured by Fry Reglet Corporation, shall be installed. Aluminum shall be extruded alloy 6063 T5. Available in primed, clear anodized, powder coated, or custom finish. Refer to finish section on page 73.

NOTE

To be used in vertical applications. If used horizontally, do not install with the short leg pointing upwards where moisture can accumulate. Attach panel in accordance with the panel manufacturer's fastening schedule.

SIZES

	DIM. A	NUMBER
T3	NOM. 3/8"	FCP-JMOLD5625-375
T4	NOM. 1/2"	FCP-JMOLD5625-50

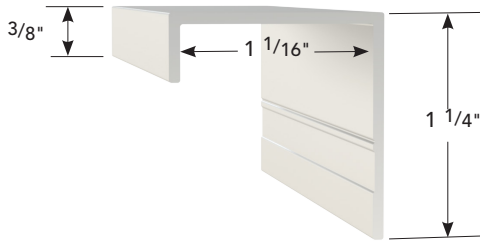


PRODUCT DETAIL

INSTALLATION DETAIL / Cross Section

T5

J CHANNEL  
1060



USAGE

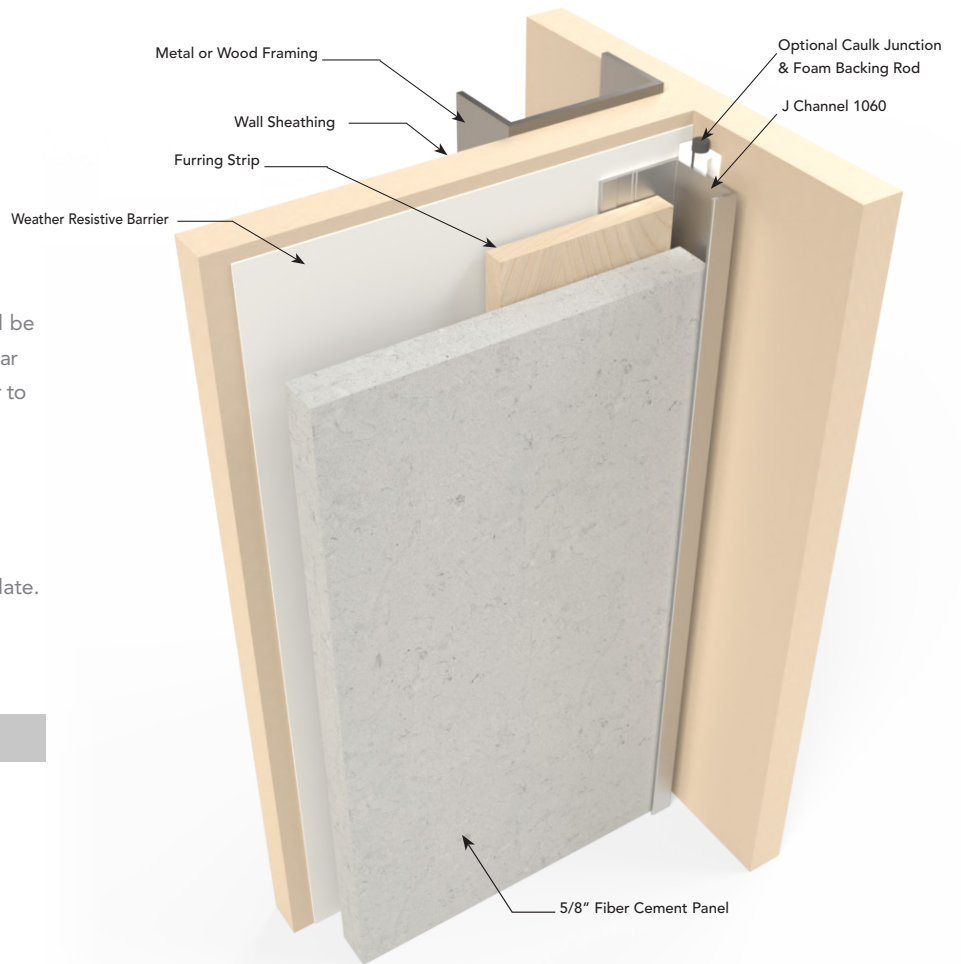
The J Channel 1060 creates a traditional termination of 5/8" fiber cement panels when used with 3/8" furring strips. The exposed J Channel 1060 can be used in vertical and horizontal applications, hiding imperfections in field cuts. Ideally used at terminations between window sills, jambs, and general terminations. The J Channel 1060 is available in 10' lengths and a variety of finishes.

GUIDE SPECIFICATION

Where indicated on drawings, Fry Reglet J Channel 1060 as manufactured by Fry Reglet Corporation, shall be installed. Aluminum shall be extruded alloy 6063 T5. Available in primed, clear anodized, powder coated, or custom finish. Refer to finish section on page 73.

NOTE

To be used in vertical applications. If used horizontally, do not install with the short leg pointing upwards where moisture can accumulate. Attach panel in accordance with the panel manufacturer's fastening schedule.



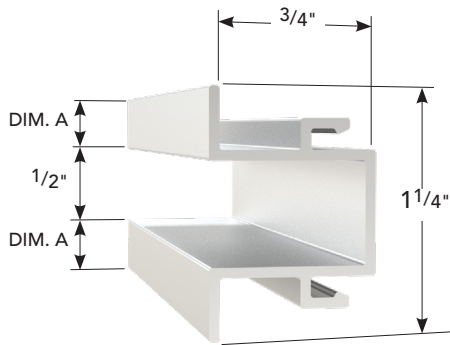
SIZES

	REVEAL DEPTH	NUMBER
T5	NOM. 1 1/16"	FCP-J 1060

PRODUCT DETAIL

INSTALLATION DETAIL / Cross Section

VERTICAL LAP V20 / V21 INSERT



USAGE

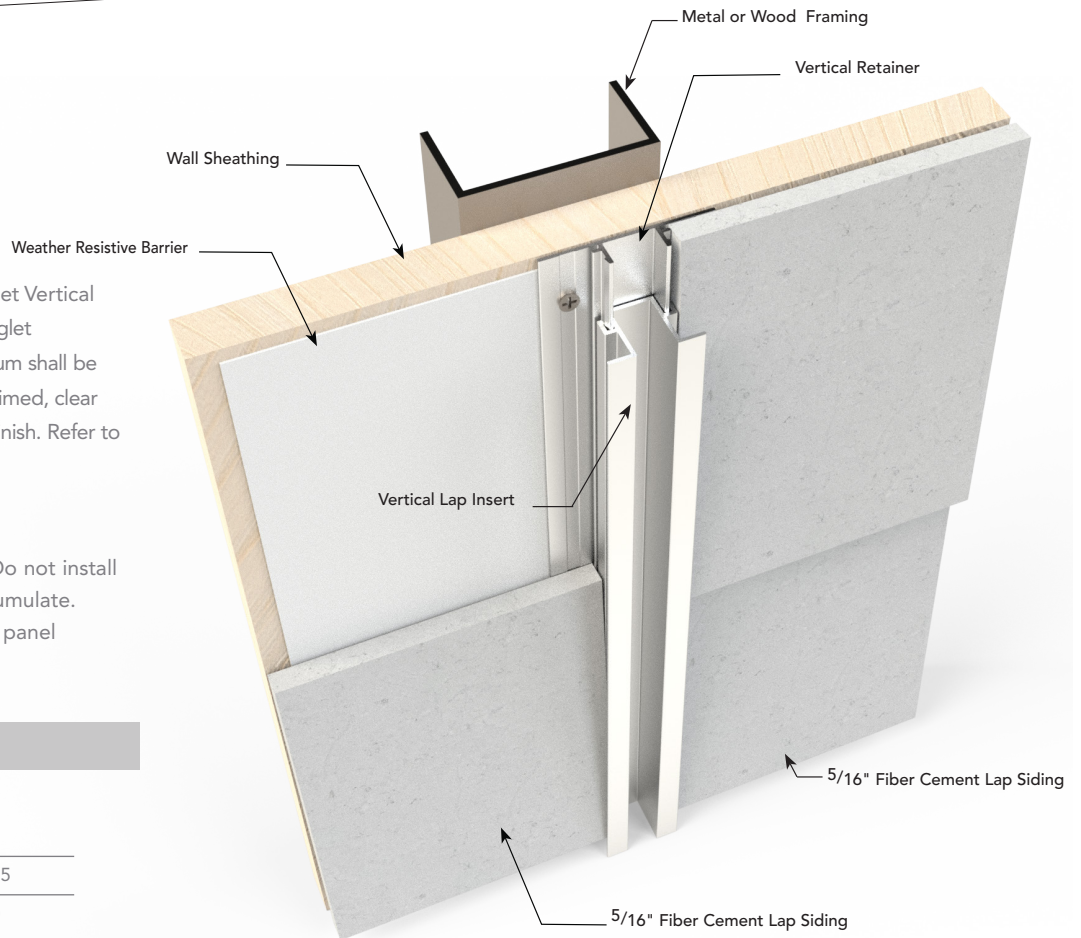
The Vertical Lap Insert is the male portion of an interlocking system that creates a traditional reveal between vertical 5/16" lap siding. The exposed reveal covers the panel's edges to create a vertical design element, hiding imperfections in field cuts. The interlocking system allows for a non-progressive and easy installation. The Vertical Lap Insert is available in 10' lengths and a variety of finishes.

GUIDE SPECIFICATION

Where indicated on drawings, Fry Reglet Vertical Lap Insert, as manufactured by Fry Reglet Corporation, shall be installed. Aluminum shall be extruded alloy 6063 T5. Available in primed, clear anodized, powder coated, or custom finish. Refer to finish section on page 73.

NOTE

To be used in vertical applications. Do not install horizontally where moisture can accumulate. Attach panel in accordance with the panel manufacturer's fastening schedule.



SIZES

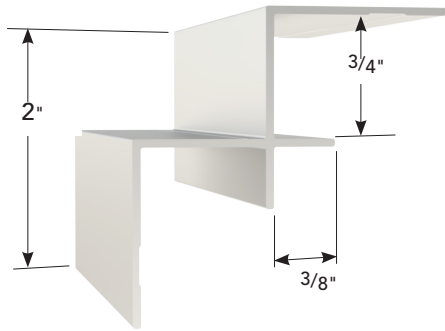
	DIM. A	NUMBER
V20	NOM. 3/8"	FCP-HSIN75-375
V21	NOM. 1/2"	FCP-HSIN75-50

PRODUCT DETAIL

INSTALLATION DETAIL / Cross Section

IC20

**INTEGRAL  
INSIDE  
CORNER LAP**



**USAGE**

The Integral Inside Corner Lap creates a traditional reveal at inside corners of 5/16" fiber cement lap siding. The exposed flanges eliminate the need to miter cut in the field, hiding imperfections in field cuts. The Integral Inside Corner Lap is available in 10' lengths and a variety of finishes.

**GUIDE SPECIFICATION**

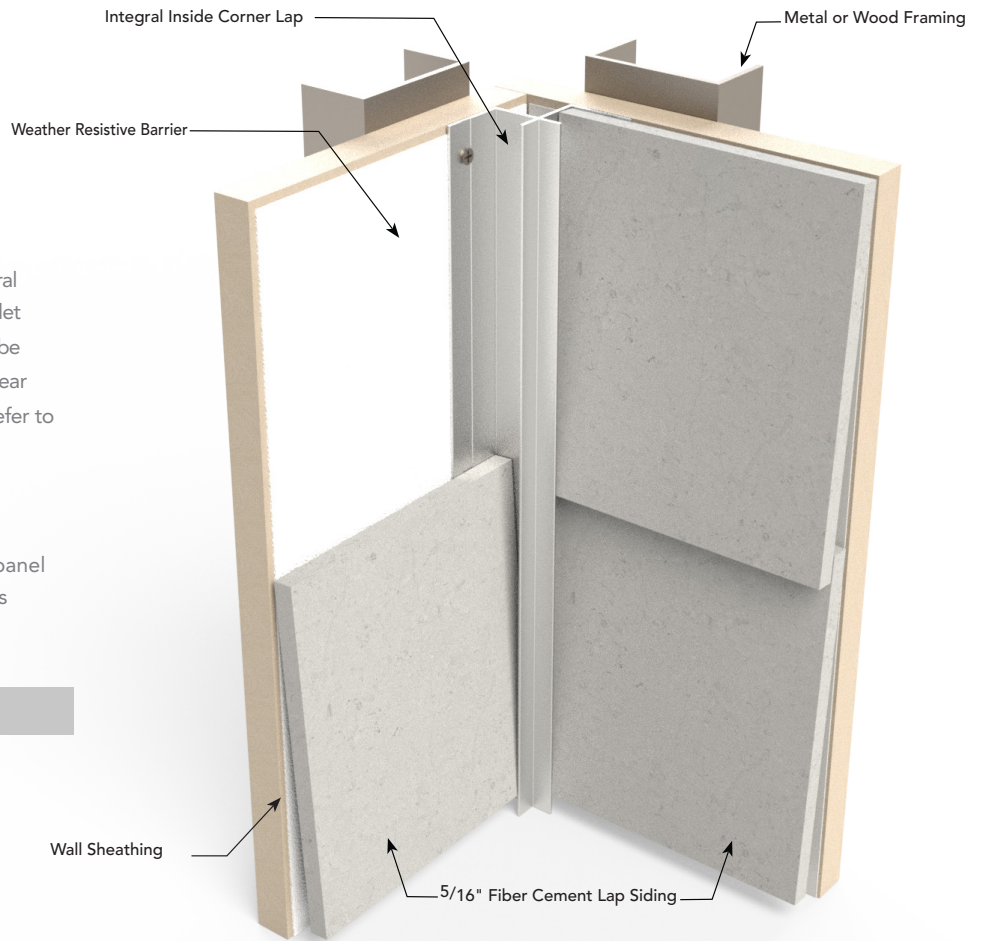
Where indicated on drawings, Fry Reglet Integral Inside Corner Lap, as manufactured by Fry Reglet Corporation, shall be installed. Aluminum shall be extruded alloy 6063 T5. Available in primed, clear anodized, powder coated, or custom finish. Refer to finish section on page 73.

**NOTE**

To be used in vertical applications. Attach panel in accordance with the panel manufacturer's fastening schedule.

**SIZES**

	REVEAL DEPTH	NUMBER
IC20	3/4"	FCP-INTISCNR750



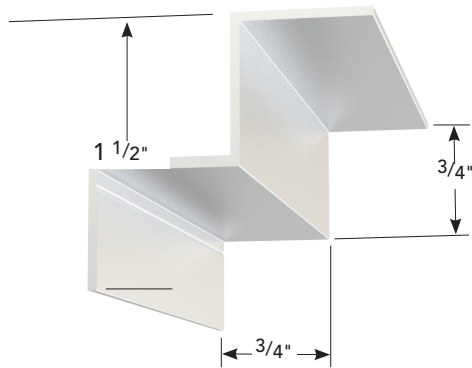


PRODUCT DETAIL

INSTALLATION DETAIL / Cross Section

LAP INSIDE CORNER

IC21



USAGE

The Lap Inside Corner creates a square and true termination reveal at inside corners of 5/16" fiber cement lap siding. This allows for easy installation and minimal extrusion exposed for a clean aesthetic. The Lap Inside Corner is available in 10' lengths and a variety of finishes.

GUIDE SPECIFICATION

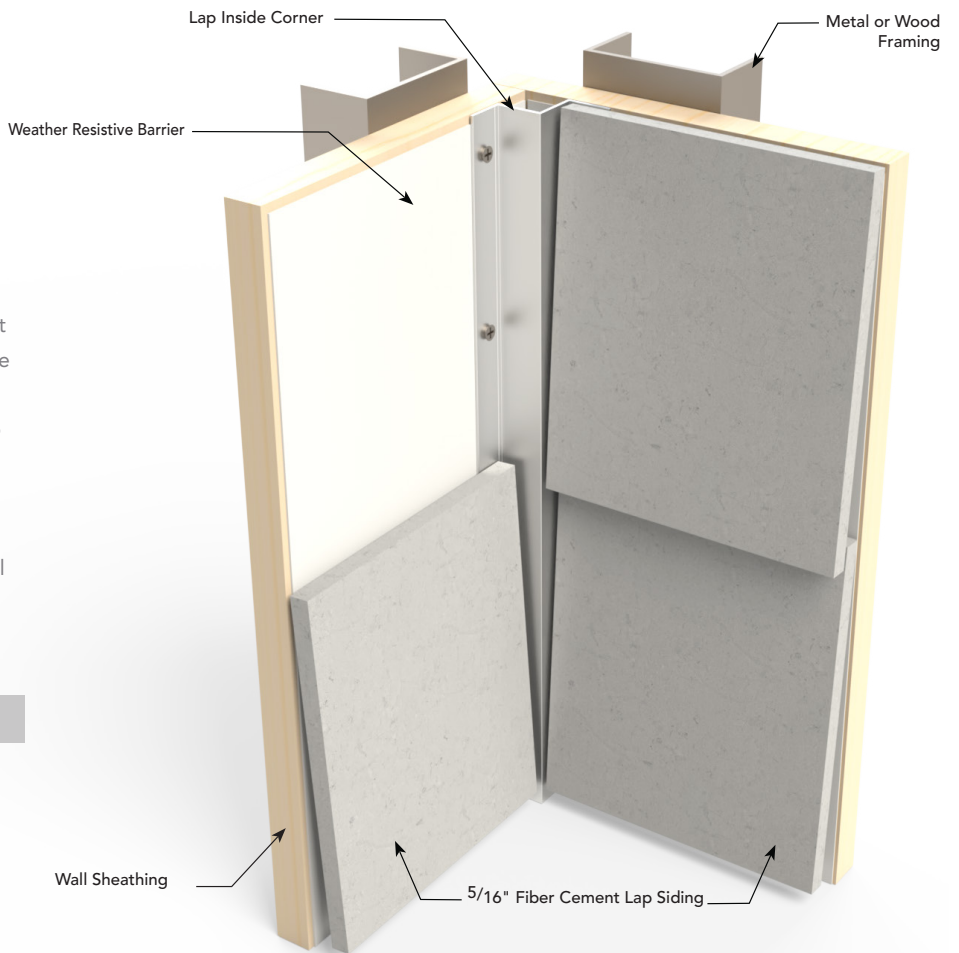
Where indicated on drawings, Fry Reglet Lap Inside Corner, as manufactured by Fry Reglet Corporation, shall be installed. Aluminum shall be extruded alloy 6063 T5. Available in primed, clear anodized, powder coated, or custom finish. Refer to finish section on page 73.

NOTE

To be used in a vertical application. Attach panel in accordance with the manufacturer's fastening schedule.

SIZES

	REVEAL DEPTH	NUMBER
IC21	NOM. 3/4"	FCP-WRM75-75-625

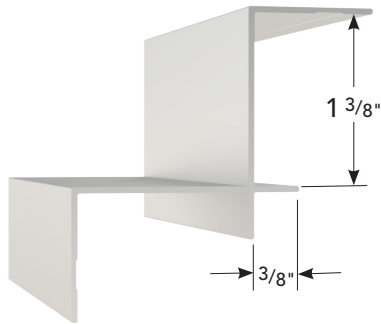


PRODUCT DETAIL

INSTALLATION DETAIL / Cross Section

IC22

ARTISAN  
INSIDE  
CORNER



USAGE

The Artisan Inside Corner creates a traditional reveal at inside corners of 5/8" artisan lap siding. The exposed flanges eliminate the need to miter cut in the field, hiding imperfections in field cuts. The Artisan Inside Corner is available in 10' lengths and a variety of finishes.

GUIDE SPECIFICATION

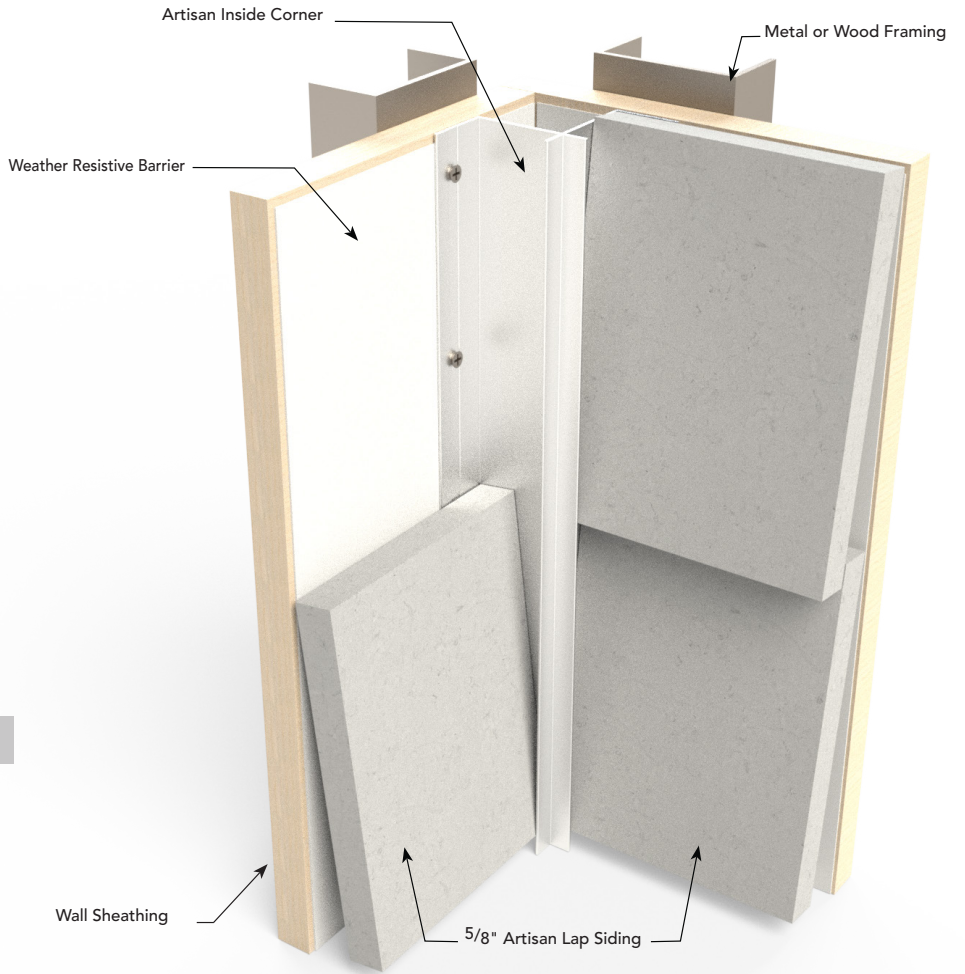
Where indicated on drawings, Fry Reglet Artisan Inside Corner, as manufactured by Fry Reglet Corporation, shall be installed. Aluminum shall be extruded alloy 6063 T5. Available in primed, clear anodized, powder coated, or custom finish. Refer to finish section on page 73.

NOTE

To be used in a vertical application. Attach panel in accordance with the manufacturer's fastening schedule.

SIZES

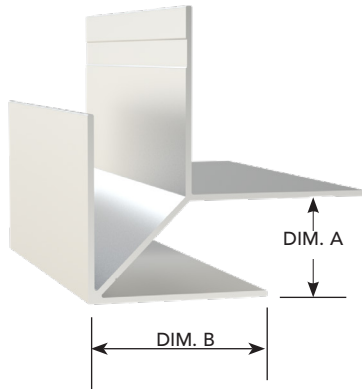
	REVEAL DEPTH	NUMBER
IC22	1 3/8"	FCP-I/SCNR1375



PRODUCT DETAIL

INSTALLATION DETAIL / Cross Section

**INTEGRAL  
OUTSIDE  
CORNER LAP** **OC20**



**USAGE**

The Integral Outside Corner Lap creates a traditional 90 degree corner at outside corners of 5/16" fiber cement lap siding. The exposed flanges eliminate the need to miter cut in the field, hiding imperfection in field cuts. The Integral Outside Corner Lap is available in 10' lengths and a variety of finishes.

**GUIDE SPECIFICATION**

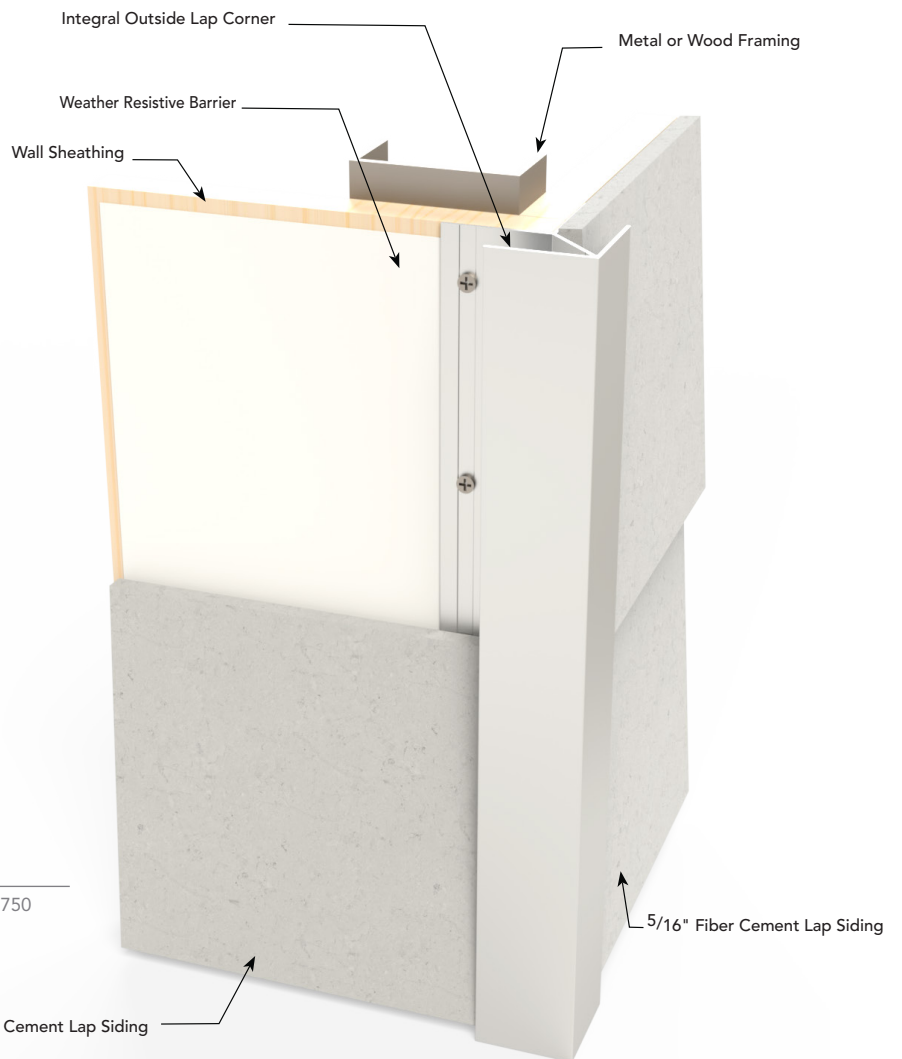
Where indicated on drawings, Fry Reglet Integral Outside Corner or Integral Outside Corner Lap, as manufactured by Fry Reglet Corporation, shall be installed. Aluminum shall be extruded alloy 6063 T5. Available in primed, clear anodized, powder coated, or custom finish. Refer to finish section on page 73.

**NOTE**

To be used in a vertical application. Attach panel in accordance with the manufacturer's fastening schedule.

**SIZES**

	DIM. A	DIM. A	NUMBER
<b>OC20</b>	NOM. 3/4"	NOM. 1 1/2"	FCP-INTOSCNR750

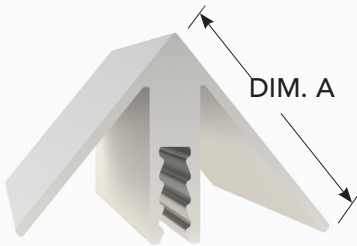


PRODUCT DETAIL

INSTALLATION DETAIL / Cross Section

OC21

OUTSIDE  
CORNER  
INSERT LAP



USAGE

The Outside Corner Insert Lap is the female portion of an interlocking system that creates a traditional 90 degree corner at outside corners of 5/16" fiber cement lap siding. The exposed flanges eliminate the need to miter cut in the field, hiding imperfection in field cuts. This is ideal for wrapping columns. The Outside Corner Insert Lap is available in 10' lengths and variety of finishes.

GUIDE SPECIFICATION

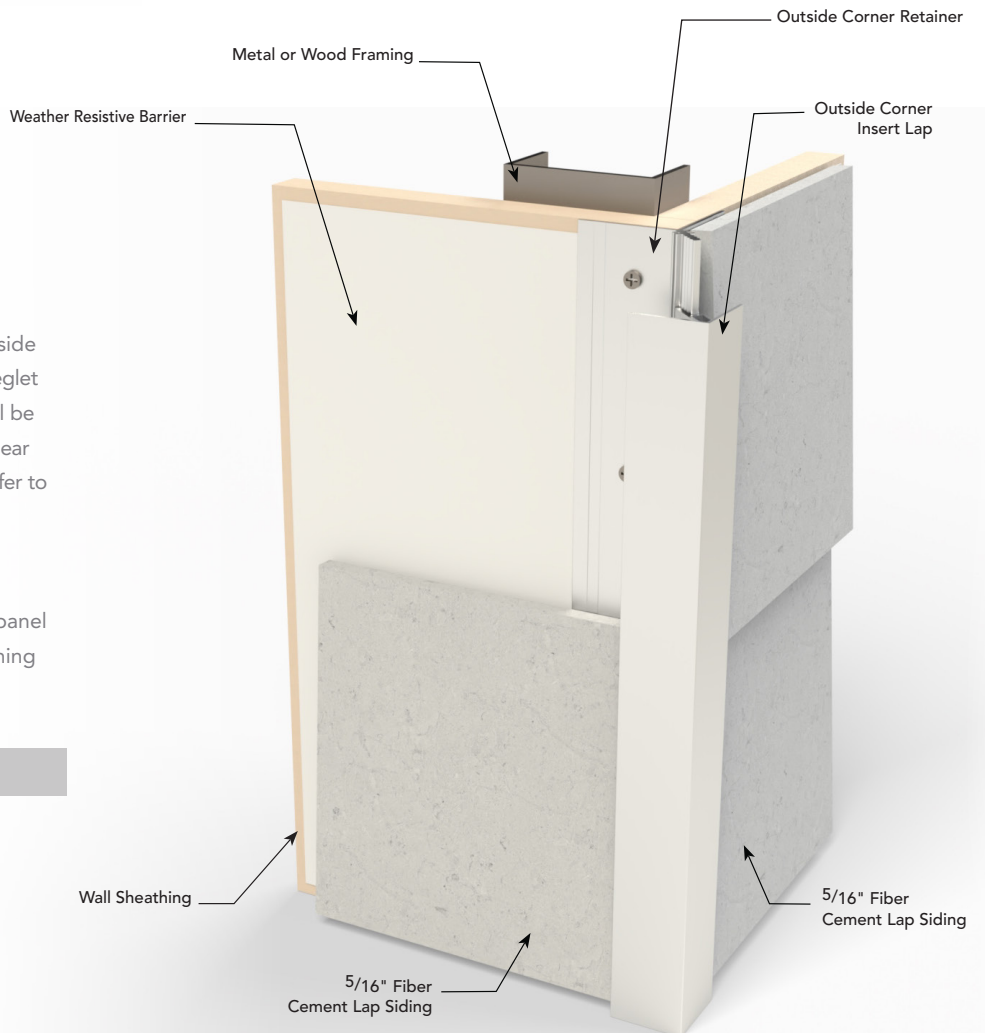
Where indicated on drawings, Fry Reglet Outside Corner Insert Lap, as manufactured by Fry Reglet Corporation, shall be installed. Aluminum shall be extruded alloy 6063 T5. Available in primed, clear anodized, powder coated, or custom finish. Refer to finish section on page 73.

NOTE

To be used in a vertical application. Attach panel in accordance with the manufacturer's fastening schedule.

SIZES

	REVEAL DEPTH	NUMBER
OC21	NOM. 1 3/16"	FCP-HSOSC75



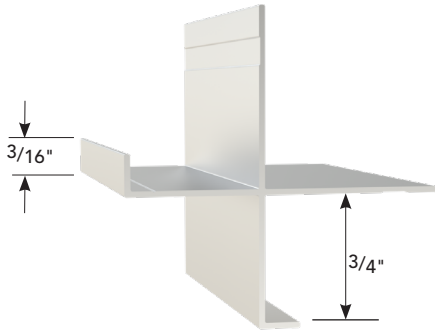
PRODUCT DETAIL

INSTALLATION DETAIL / Cross Section

OUTSIDE CORNER LAP

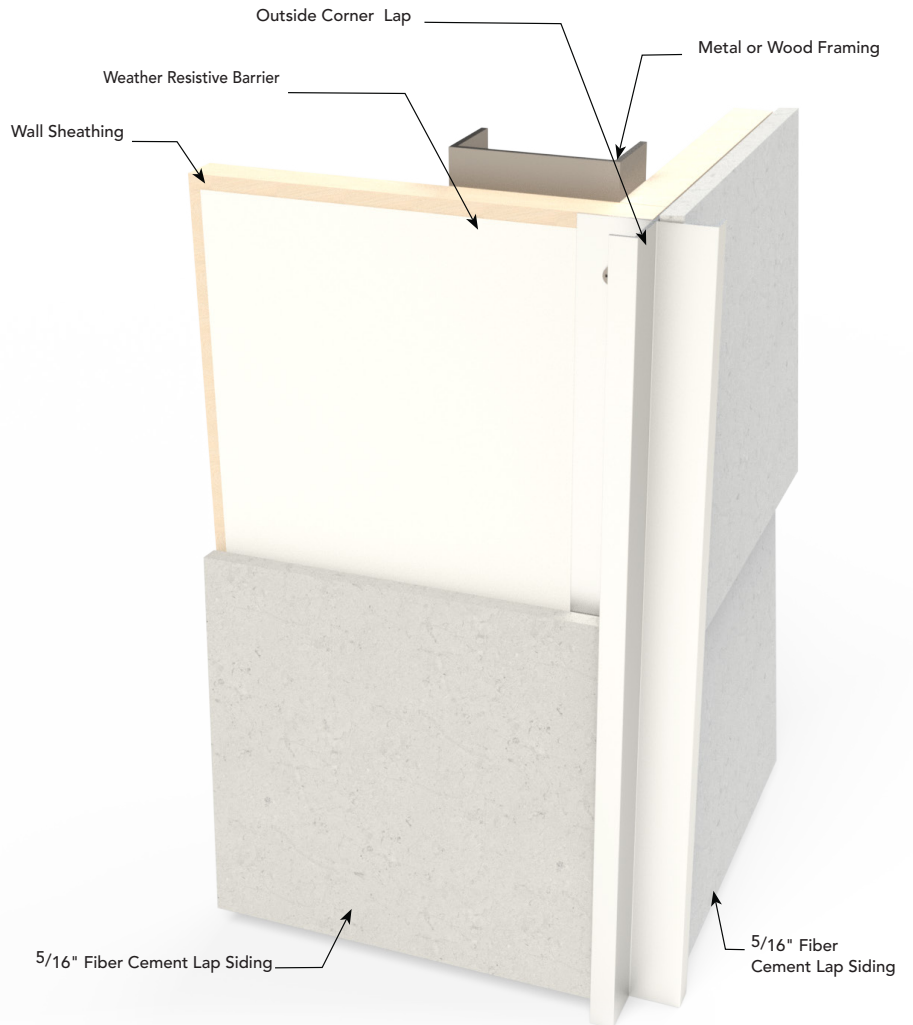
OC22

OUTSIDE CORNER LAP



USAGE

The Outside Corner Lap creates a traditional reveal at outside corners of 5/16" fiber cement lap siding. The exposed flanges eliminate the need to miter cut in the field, hiding imperfections in field cuts. The Outside Corner Lap is available in 10' lengths and variety of finishes.



GUIDE SPECIFICATION

Where indicated on drawings, Fry Reglet Outside Corner Lap, as manufactured by Fry Reglet Corporation, shall be installed. Aluminum shall be extruded alloy 6063 T5. Available in primed, clear anodized, powder coated, or custom finish. Refer to finish section on page 73.

NOTE

To be used in a vertical application. Attach panel in accordance with the manufacturer's fastening schedule.

SIZES

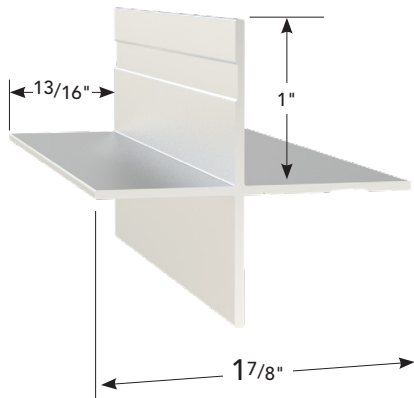
	REVEAL DEPTH	NUMBER
OC22	NOM. 3/4"	FCP-PXM7575

PRODUCT DETAIL

INSTALLATION DETAIL / Cross Section

OC23

SLEEK  
OUTSIDE  
CORNER



USAGE

The Sleek Outside Corner Lap creates a contemporary reveal at outside corners of 5/16" fiber cement lap siding. The exposed reveal allows for easy installation and minimal extrusion exposed for a clean aesthetic. The Sleek Outside Corner Lap is available in 10' lengths and a variety of finishes.

GUIDE SPECIFICATION

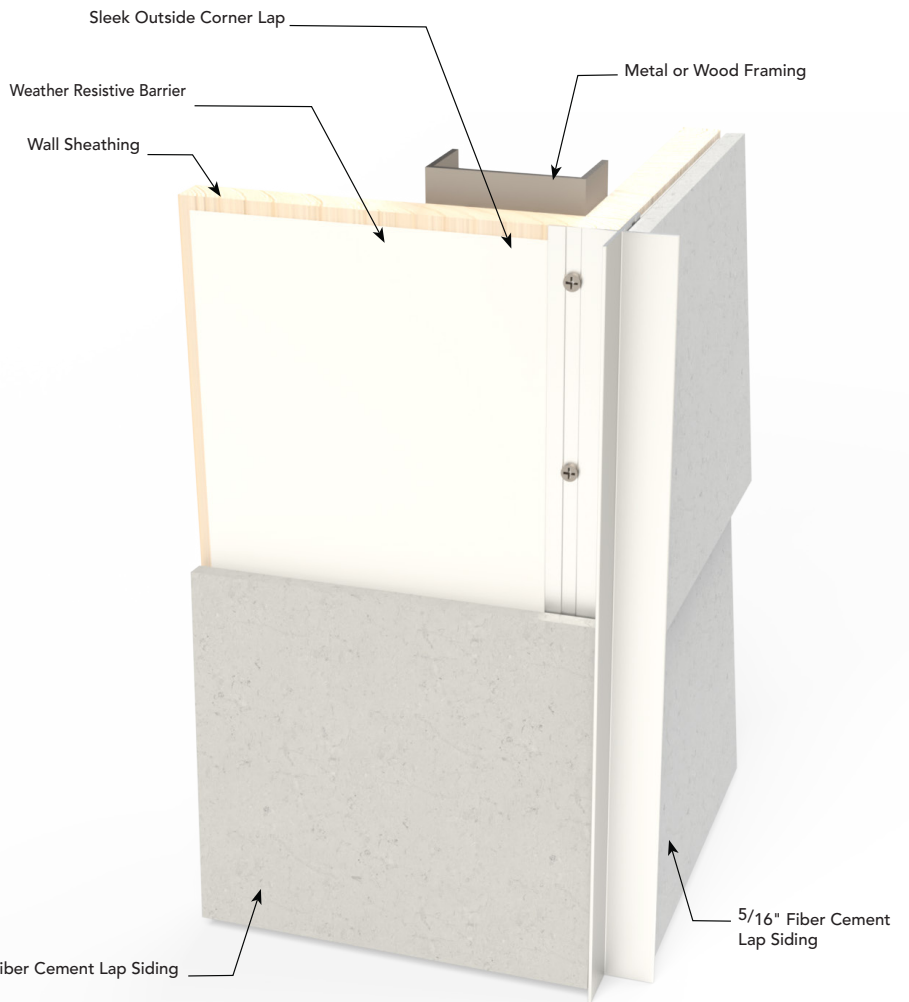
Where indicated on drawings, Fry Reglet Sleek Outside Corner Lap, as manufactured by Fry Reglet Corporation, shall be installed. Aluminum shall be extruded alloy 6063 T5. Available in primed, clear anodized, powder coated, or custom finish. Refer to finish section on page 73.

NOTE

To be used in a vertical application. Attach panel in accordance with the manufacturer's fastening schedule.

SIZES

	REVEAL DEPTH	NUMBER
OC23	NOM. 13/16"	FCP-LPO/SCNRLAP

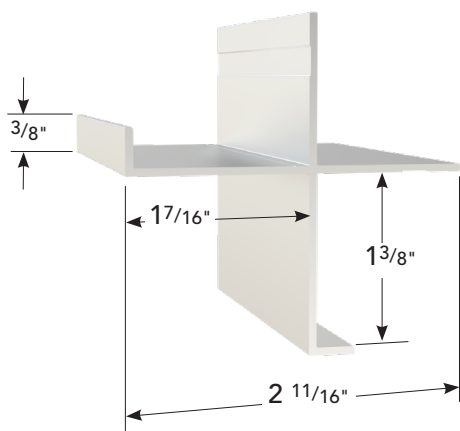


PRODUCT DETAIL

INSTALLATION DETAIL / Cross Section

ARTISAN  
OUTSIDE  
CORNER

OC24



USAGE

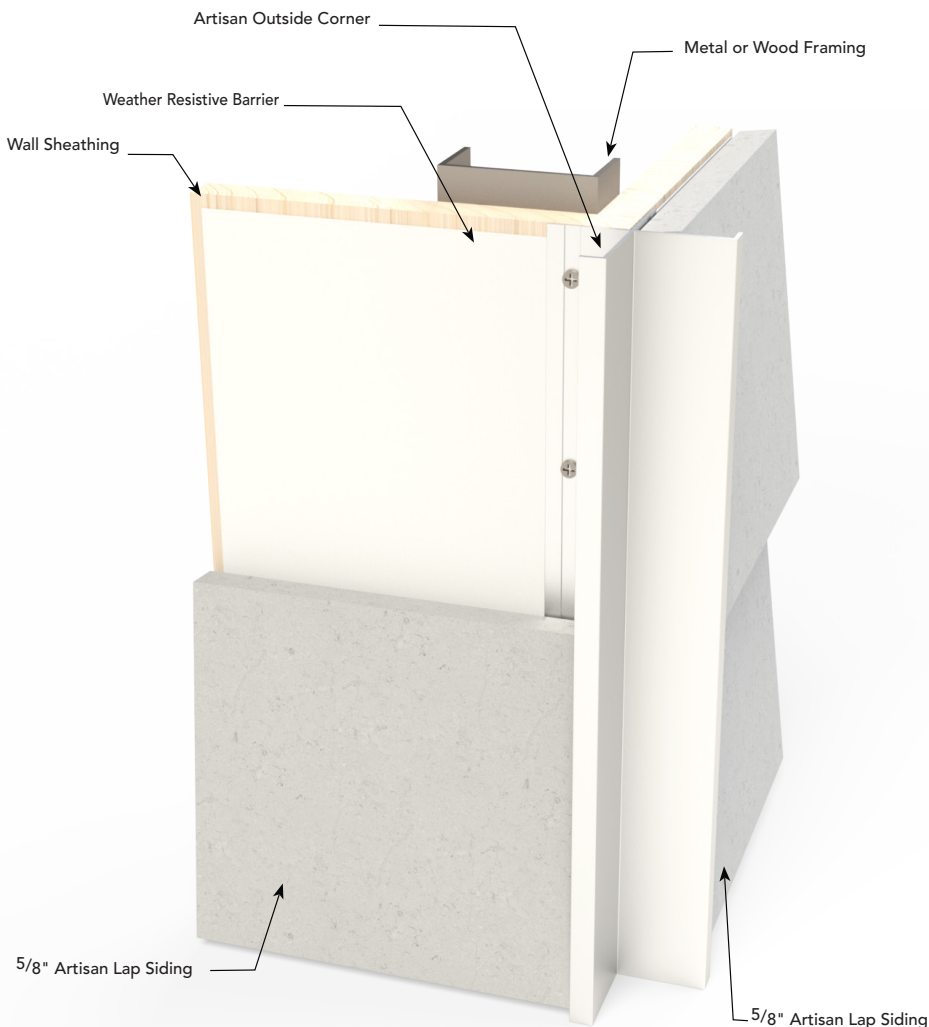
The Artisan Outside Corner creates a traditional reveal at outside corners of 5/8" artisan lap siding. The exposed reveal eliminates the need to miter cut in the field, hiding imperfections in field cuts. The Artisan Outside Corner is available in 10' lengths and variety of finishes.

GUIDE SPECIFICATION

Where indicated on drawings, Fry Reglet Artisan Outside Corner, as manufactured by Fry Reglet Corporation, shall be installed. Aluminum shall be extruded alloy 6063 T5. Available in primed, clear anodized, powder coated, or custom finish. Refer to finish section on page 73.

NOTE

To be used in a vertical application. Attach panel in accordance with the manufacturer's fastening schedule.



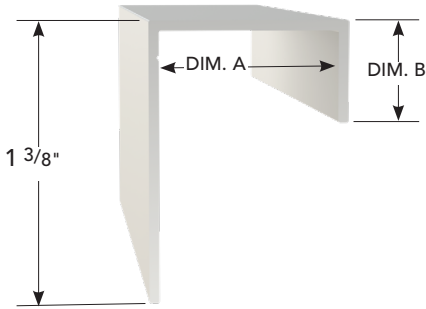
SIZES

	REVEAL DEPTH	NUMBER
OC24	1 3/8"	FCP-O/SCNR1375

PRODUCT DETAIL

INSTALLATION DETAIL / Cross Section

T20 / T21 J CHANNEL LAP



USAGE

The J Channel Lap creates a traditional termination of 5/16" fiber cement lap siding. The J Channel Lap can be used in vertical and horizontal applications, hiding imperfections in field cuts. Ideal usage at terminations between window sills, jambs, and general terminations. The J Channel Lap is available in 10' lengths and a variety of finishes.

GUIDE SPECIFICATION

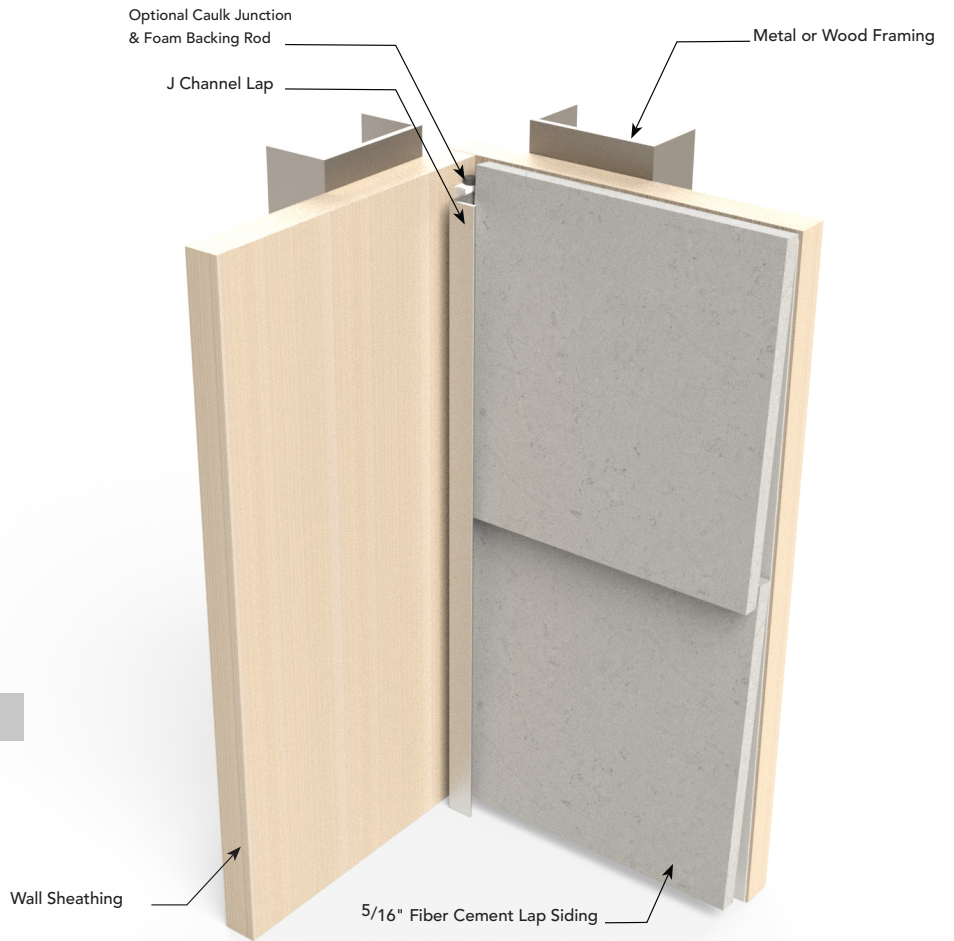
Where indicated on drawings, Fry Reglet J Channel Lap as manufactured by Fry Reglet Corporation, shall be installed. Aluminum shall be extruded alloy 6063 T5. Available in primed, clear anodized, powder coated, or custom finish. Refer to finish section on page 73.

NOTE

To be used in vertical applications. If used horizontally, do not install with the short leg pointing upwards where moisture can accumulate. Attach panel in accordance with the panel manufacturer's fastening schedule.

SIZES

	DIM. A	DIM. B	NUMBER
T20	3/4"	3/8"	FCP-JAM75
T21	7/8"	1/2"	FCP-JAM875

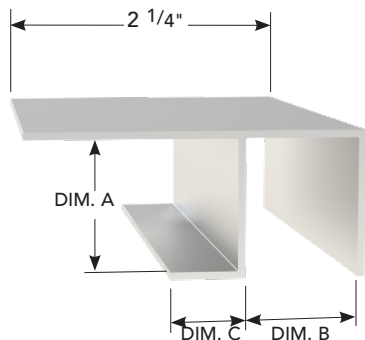




PRODUCT DETAIL

INSTALLATION DETAIL / Cross Section

F CHANNEL LAP T22 / T23



USAGE

The F Channel Lap creates a 1/2" or 3/4" traditional reveal at terminations of 5/16" fiber cement lap siding. The F Channel Lap can be used in vertical and horizontal applications, hiding imperfections in field cuts. Ideal usage at terminations between window sills, jambs, and general terminations. The F Channel Lap is available in 10' lengths and a variety of finishes.

GUIDE SPECIFICATION

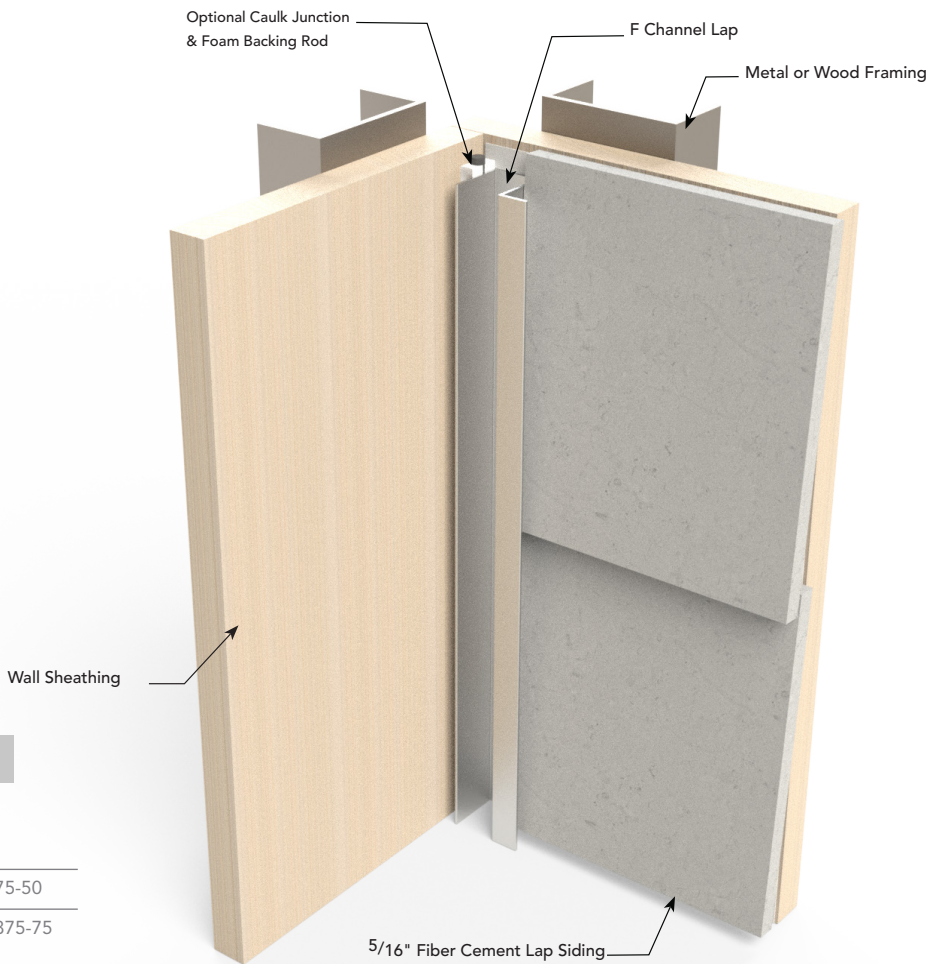
Where indicated on drawings, Fry Reglet F Channel Lap as manufactured by Fry Reglet Corporation, shall be installed. Aluminum shall be extruded alloy 6063 T5. Available in primed, clear anodized, powder coated, or custom finish. Refer to finish section on page 73.

NOTE

To be used in vertical applications. If used horizontally, do not install with the short leg pointing upwards where moisture can accumulate. Attach panel in accordance with the panel manufacturer's fastening schedule.

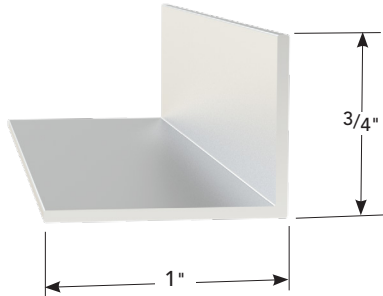
SIZES

	DIM. A	DIM. B	DIM. C	NUMBER
T22	3/4"	1/2"	3/8"	FCP-FARM-75-50
T23	7/8"	3/4"	1/2"	FCP-FARM-875-75



PRODUCT DETAIL

INSTALLATION DETAIL / Cross Section



USAGE

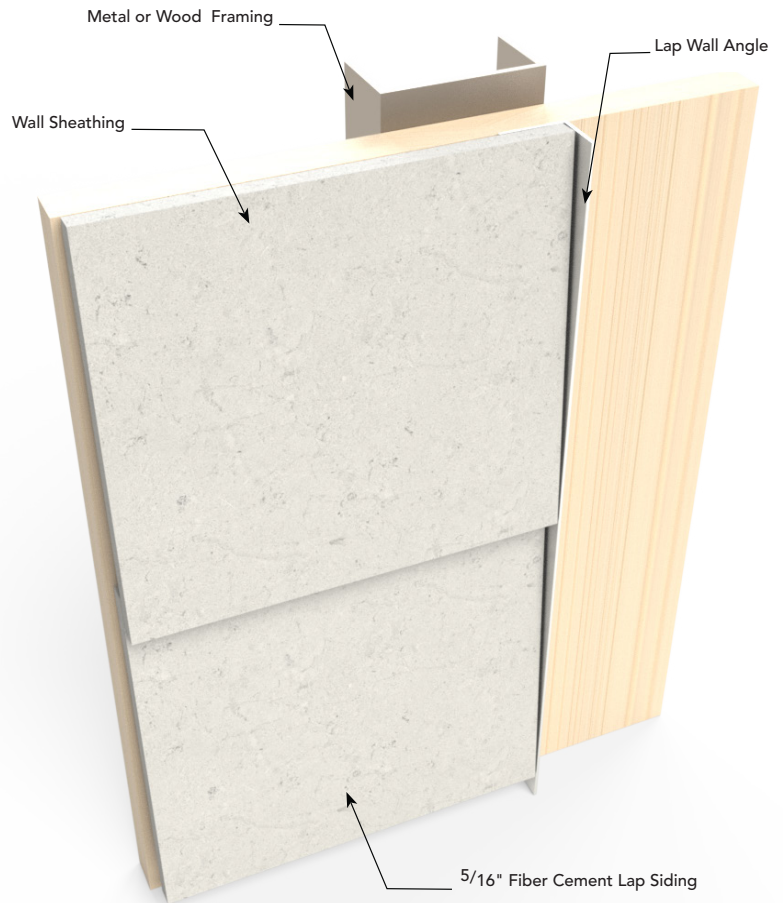
The Lap Wall Angle creates a contemporary reveal at terminations of 5/16" fiber cement lap siding. The exposed flange allows for easy installation and minimal extrusion exposed for a clean aesthetic in vertical and horizontal applications. Ideal usage at terminations between window sills, jambs, and general terminations. The Lap Wall Angle is available in 10' lengths and a variety of finishes

GUIDE SPECIFICATION

Where indicated on drawings, Fry Reglet Lap Wall Angle, as manufactured by Fry Reglet Corporation, shall be installed. Aluminum shall be extruded alloy 6063 T5. Available in primed, clear anodized, powder coated, or custom finish. Refer to finish section on page 73.

NOTE

To be used in vertical applications. If used horizontally, do not install where moisture can accumulate. Attach panel in accordance with the panel manufacturer's fastening schedule.



SIZES

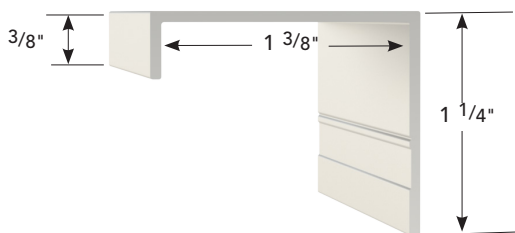
	REVEAL DEPTH	REVEAL DEPTH	NUMBER
T24	NOM. 3/4"	NOM. 1"	FCP-WA75100

PRODUCT DETAIL

INSTALLATION DETAIL / Cross Section

ARTISAN J CHANNEL

T25



USAGE

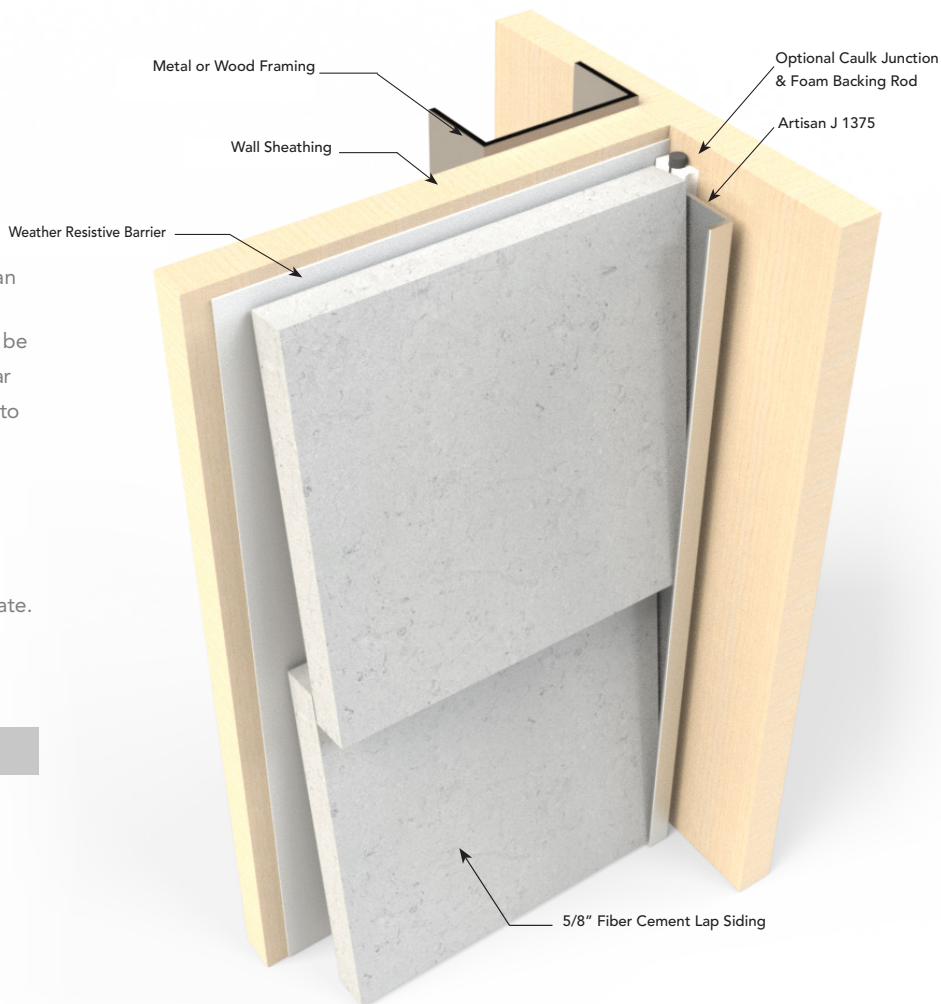
The Artisan J Channel creates a traditional termination of 5/8" fiber cement lap siding. The exposed flange hides imperfections in field cuts. Ideal usage at terminations between window sills, jambs, and general terminations. Can be used in vertical and horizontal applications. The Artisan J 1375 is available in 10' lengths and a variety of finishes.

GUIDE SPECIFICATION

Where indicated on drawings, Fry Reglet Artisan J Channel, as manufactured by Fry Reglet Corporation, shall be installed. Aluminum shall be extruded alloy 6063 T5. Available in primed, clear anodized, powder coated, or custom finish. Refer to finish section on page 73.

NOTE

To be used in vertical applications. If used horizontally, do not install with the short leg pointing upwards where moisture can accumulate. Attach panel in accordance with the panel manufacturer's fastening schedule.



SIZES

	REVEAL DEPTH	NUMBER
T25	NOM. 1 3/8"	FCP-J 1375

PRODUCT DETAIL

INSTALLATION DETAIL / Cross Section

V3

VERTICAL  
RETAINER



USAGE

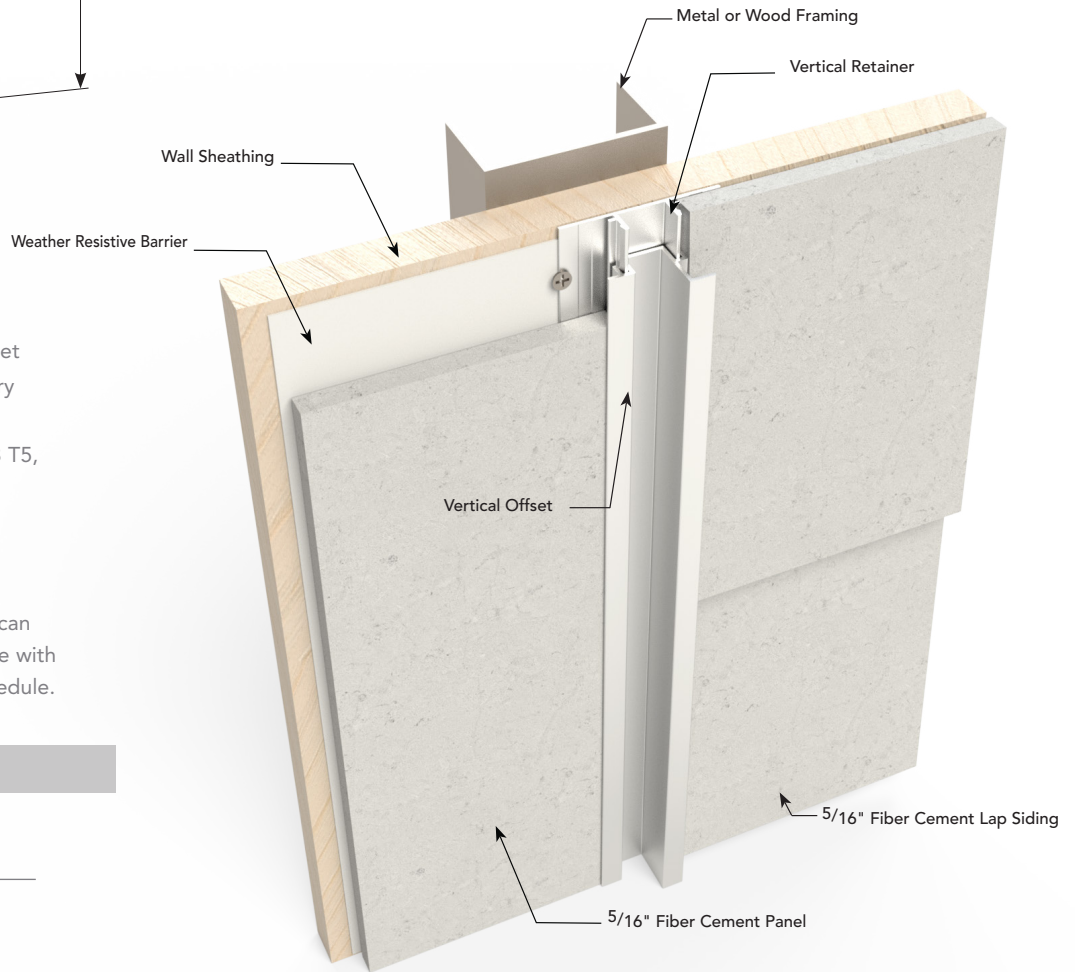
The Vertical Retainer is the female portion of an interlocking system that is used in conjunction with the Vertical Offset, Lap Panel Wall Angle, Transition Insert and Lap Insert. The Vertical Retainer is available in 10' lengths in clear anodized or primed finish.

GUIDE SPECIFICATION

Where indicated on drawings, Fry Reglet Vertical Retainer, as manufactured by Fry Reglet Corporation, shall be installed. Aluminum shall be extruded alloy 6063 T5, with clear anodized or primed finish.

NOTE

To be used in vertical applications. Do not install horizontally where moisture can accumulate. Attach panel in accordance with the panel manufacturer's fastening schedule.



SIZES

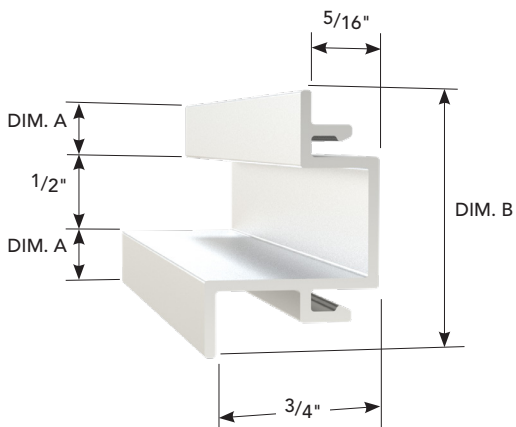
	REVEAL DEPTH	NUMBER
V3	NOM. 3/8"	FCP-HSINRET

PRODUCT DETAIL

INSTALLATION DETAIL / Cross Section

VERTICAL  
OFFSET

V41 / V42



USAGE

The Vertical Offset is the male portion of an interlocking system that creates a traditional reveal between vertical 5/16" fiber cement panels and 5/16" lap siding. The exposed flanges cover the panel's edges to create a vertical design element, hiding imperfections in field cuts. The interlocking system allows for a non-progressive and easy installation. The Vertical Offset is available in 10' lengths and a variety of finishes.

GUIDE SPECIFICATION

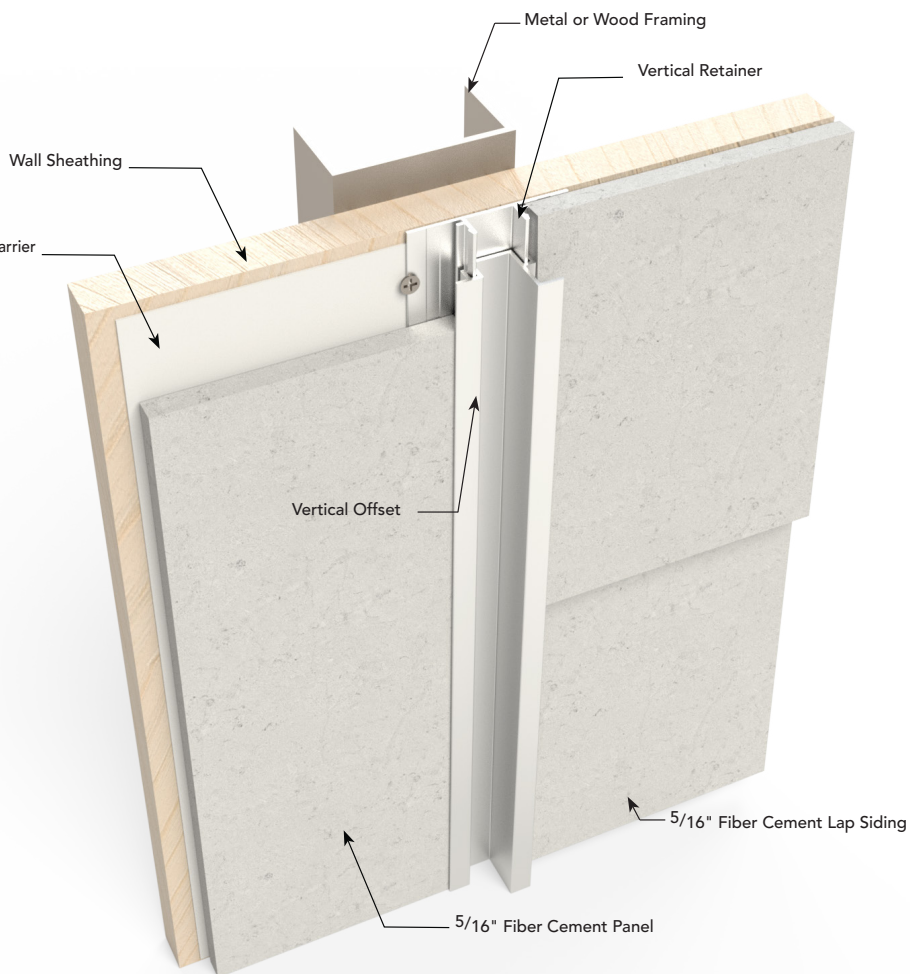
Where indicated on drawings, Fry Reglet Vertical Offset, as manufactured by Fry Reglet Corporation, shall be installed. Aluminum shall be extruded alloy 6063 T5. Available in primed, clear anodized, powder coated, or custom finish. Refer to finish section on page 73.

NOTE

To be used in vertical applications. Do not install horizontally where moisture can accumulate. Attach panel in accordance with the panel manufacturer's fastening schedule.

SIZES

	DIM. A	DIM. B	NUMBER
V41	3/8"	1 1/4"	FCP-HSINOFF-375
V42	1/2"	1 1/2"	FCP-HSINOFF-50

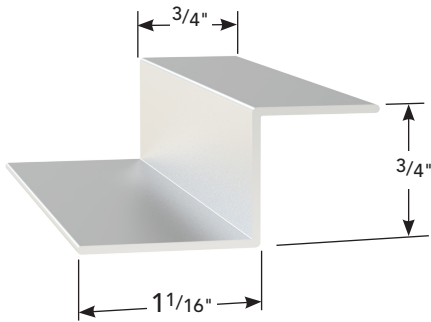


PRODUCT DETAIL

INSTALLATION DETAIL / Cross Section

V43

LAP PANEL WALL ANGLE



USAGE

The Lap Panel Wall Angle creates a traditional transition of 5/16" fiber cement panels and 5/16" lap siding. The exposed flanges allow for easy installation, hiding imperfections in field cuts. The Lap Panel Wall Angle is available in 10' lengths and a variety of finishes.

GUIDE SPECIFICATION

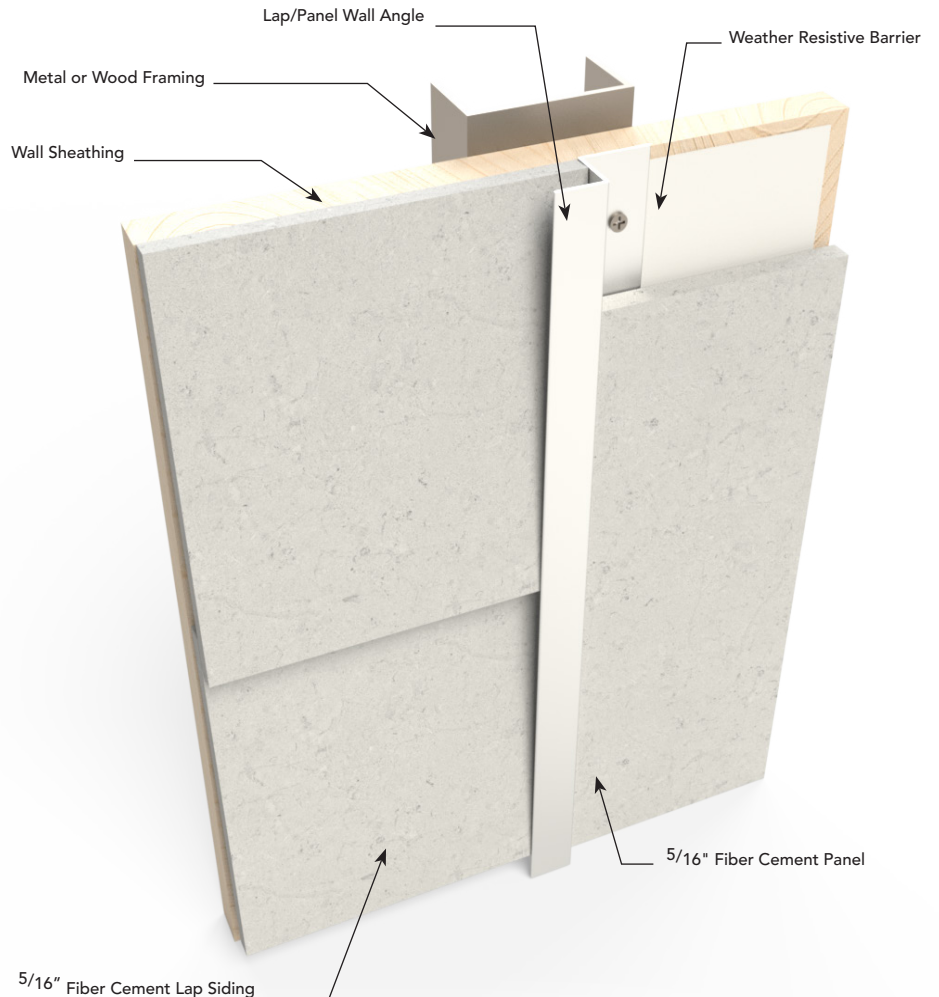
Where indicated on drawings, Fry Reglet Lap Panel Wall Angle, as manufactured by Fry Reglet Corporation, shall be installed. Aluminum shall be extruded alloy 6063 T5. Available in primed, clear anodized, powder coated, or custom finish. Refer to finish section on page 73.

NOTE

To be used in vertical applications. Do not install horizontally where moisture can accumulate. Attach panel in accordance with the panel manufacturer's fastening schedule.

SIZES

	REVEAL DEPTH	NUMBER
V43	NOM. 3/8"	FCP-PRM7575

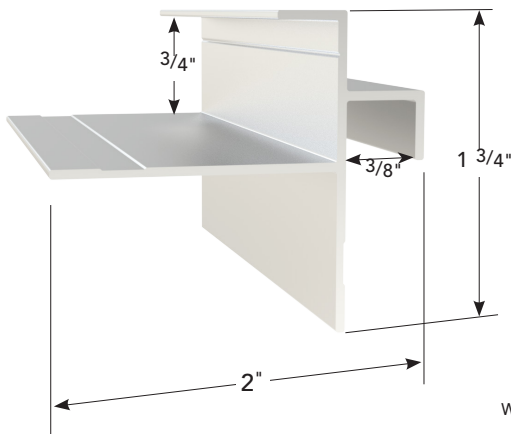


PRODUCT DETAIL

INSTALLATION DETAIL / Cross Section

OUTSIDE CORNER TRANSITION

OC40



USAGE

The Outside Corner Transition creates a traditional reveal at outside corners of 5/16" fiber cement panels and 5/16" lap siding. The exposed flanges eliminate the need to miter cut in the field, hiding imperfections in field cuts. The Outside Corner Transition is available in 10' lengths and a variety of finishes.

GUIDE SPECIFICATION

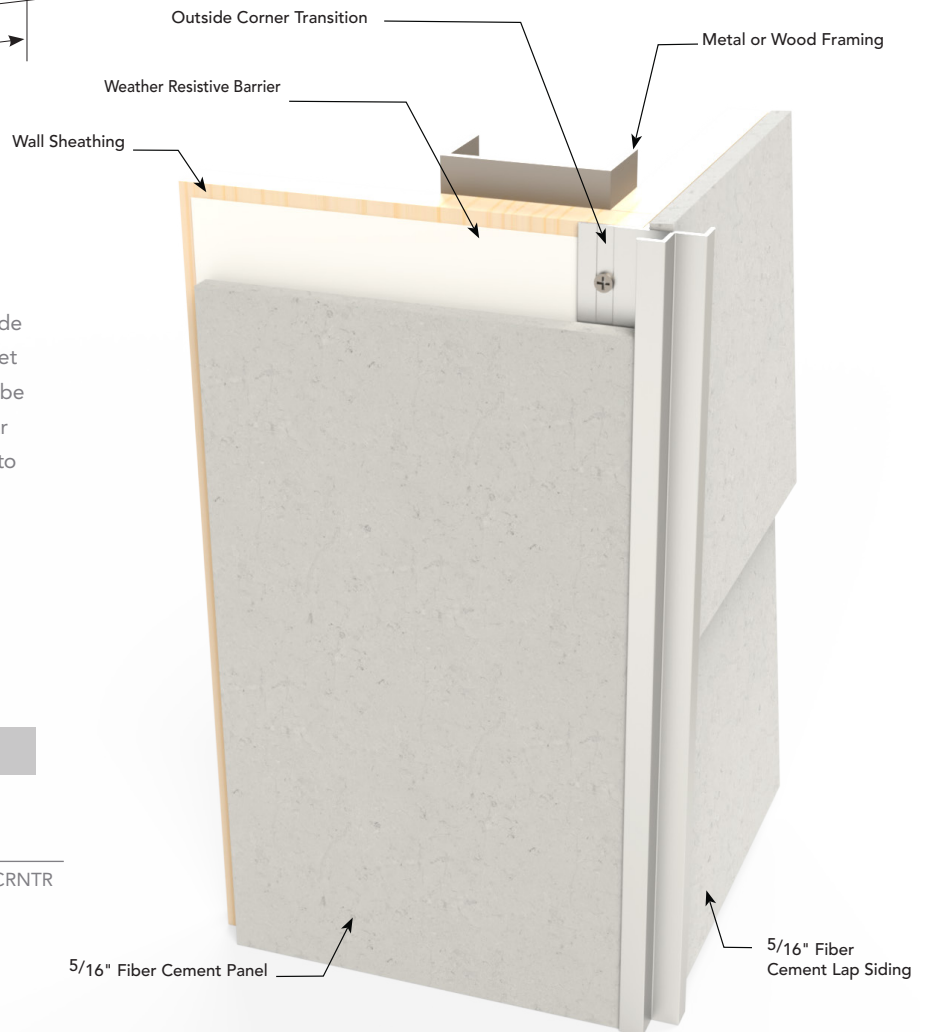
Where indicated on drawings, Fry Reglet Outside Corner Transition, as manufactured by Fry Reglet Corporation, shall be installed. Aluminum shall be extruded alloy 6063 T5. Available in primed, clear anodized, powder coated, or custom finish. Refer to finish section on page 73.

NOTE

To be used in a vertical application only. Attach panel in accordance with the manufacturer's fastening schedule.

SIZES

	REVEAL DEPTH	REVEAL DEPTH	NUMBER
OC40	NOM. 3/8"	NOM. 3/4"	FCP-O/SCRNTR

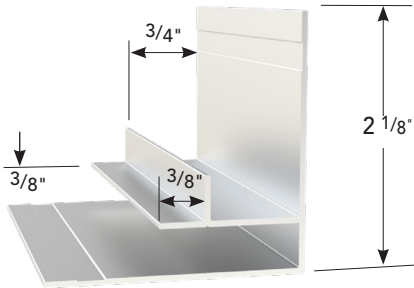


PRODUCT DETAIL

INSTALLATION DETAIL / Cross Section

IC40

INSIDE CORNER TRANSITION



USAGE

The Inside Corner Transition creates a traditional reveal at inside corners of 5/16" fiber cement panels and 5/16" lap siding. The exposed flanges eliminate the need to miter cut in the field, hiding imperfections and field cuts. The Inside Corner Transition is available in 10' lengths and a variety of finishes.

GUIDE SPECIFICATION

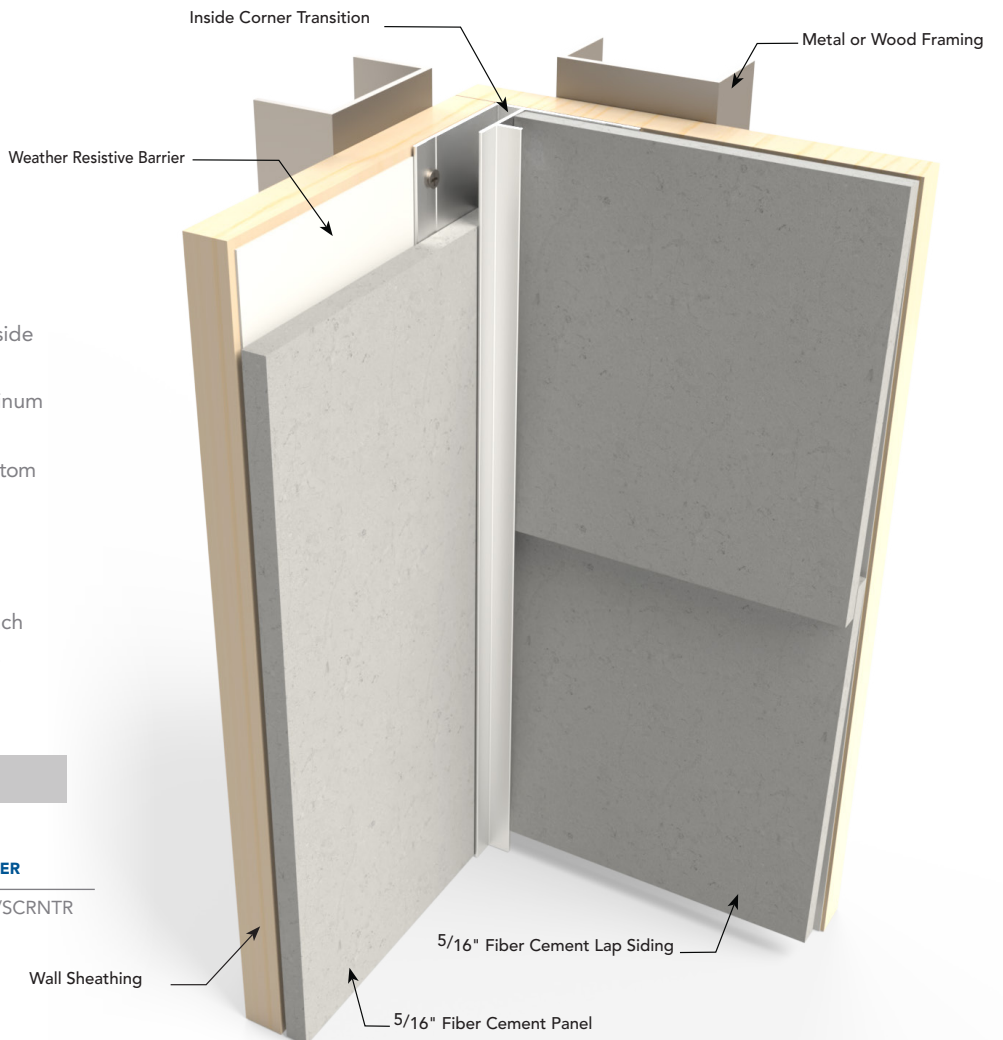
Where indicated on drawings, Fry Reglet Inside Corner Transition, as manufactured by Fry Reglet Corporation, shall be installed. Aluminum shall be extruded alloy 6063 T5. Available in primed, clear anodized, powder coated, or custom finish. Refer to finish section on page 73.

NOTE

To be used in a vertical application only. Attach panel in accordance with the manufacturer's fastening schedule.

SIZES

	REVEAL DEPTH	REVEAL DEPTH	NUMBER
IC40	3/8"	3/4"	FCP-I/SCRNTR



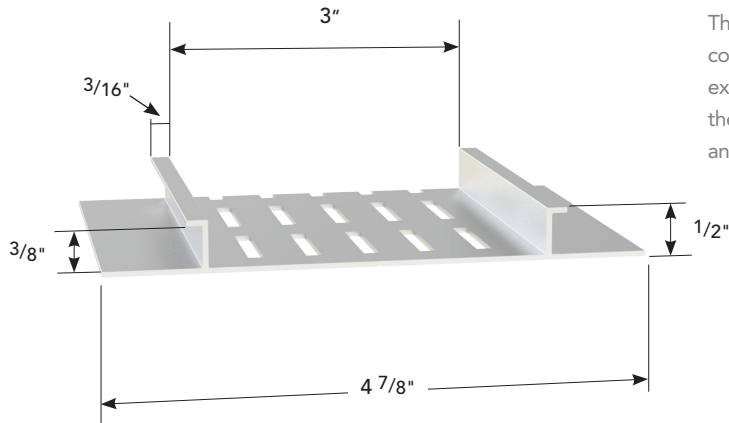


PRODUCT DETAIL

INSTALLATION DETAIL / Cross Section

SOFFIT VENT

VT1



USAGE

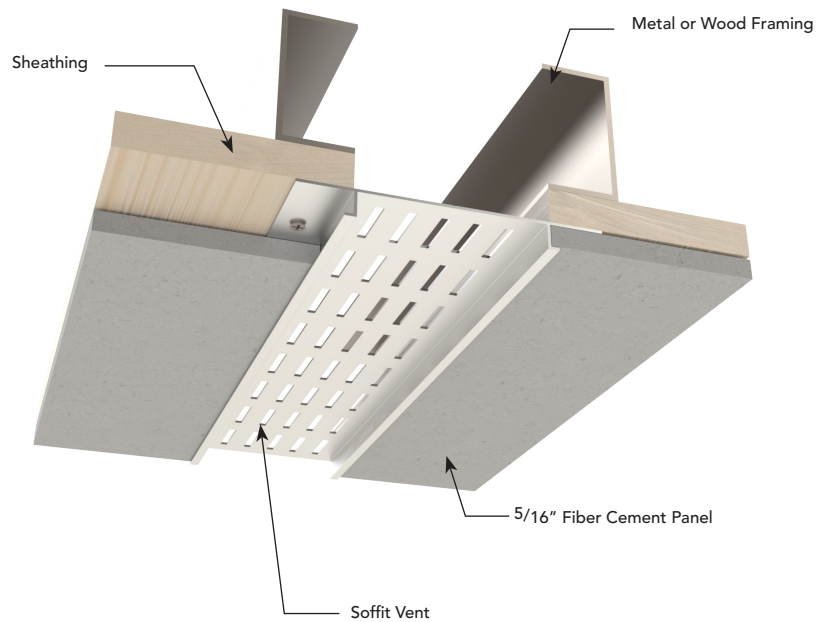
The Soffit Vent creates a traditional reveal at soffit conditions of 5/16" fiber cement panels. The exposed reveal provides ventilation to areas above the soffit. The Soffit Vent is available in 10' lengths and a variety of finishes.

GUIDE SPECIFICATION

Where indicated on drawings, Fry Reglet Soffit Vent, as manufactured by Fry Reglet Corporation, shall be installed. Aluminum shall be extruded alloy 6063 T5. Available in primed, clear anodized, powder coated, or custom finish. Refer to finish section on page 73.

NOTE

To be used in horizontal applications in soffit. Attach panel in accordance with the manufacturer's fastening schedule. Designed to provide ventilation, see page 72 for additional info\*.



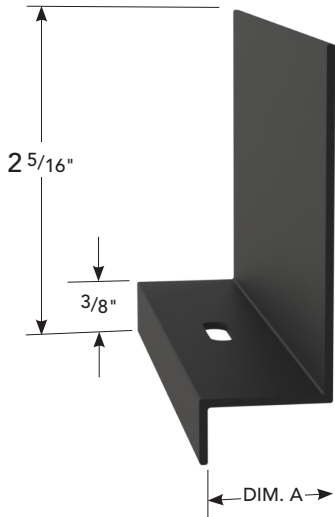
SIZES

	REVEAL DEPTH	REVEAL DEPTH	NUMBER
VT1	NOM. 3/8"	NOM. 3"	FCP-PCS375V300

\*See page 73 for data on number of vents and amount of vented area/sq. ft.

PRODUCT DETAIL

VT2 / VT3 RAIN SCREEN VENT STRIP



INSTALLATION DETAIL / Cross Section

USAGE

The Rain Screen Vent Strip captures the bottom edges of furring strips when used in conjunction with a rain screen system, and is designed to allow moisture mitigation from the system while allowing air to flow freely. The extruded PVC member is designed to accommodate both 3/8" and 3/4" furring strips. Available in 10' lengths.

GUIDE SPECIFICATION

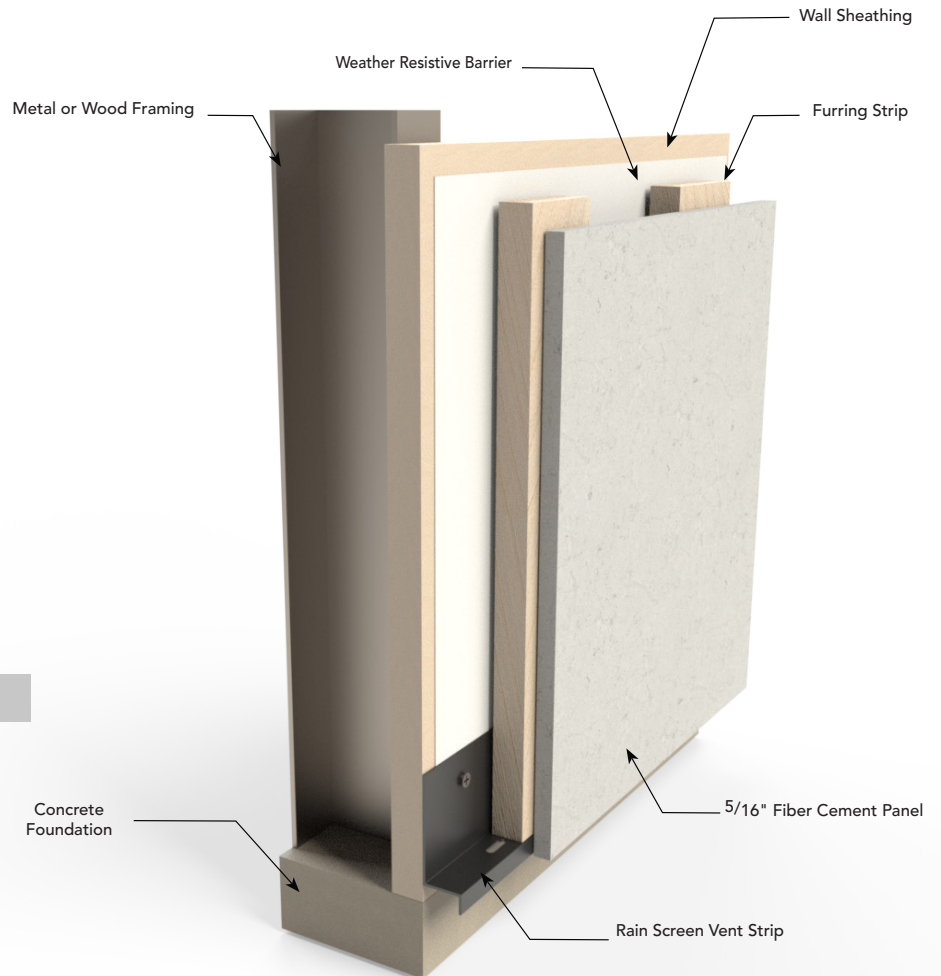
Where indicated on drawings, Fry Reglet PVC Rain Screen Vent Strip, as manufactured by Fry Reglet Corporation, shall be installed.

NOTE

Product is constructed out of extruded PVC and is black in color.

SIZES

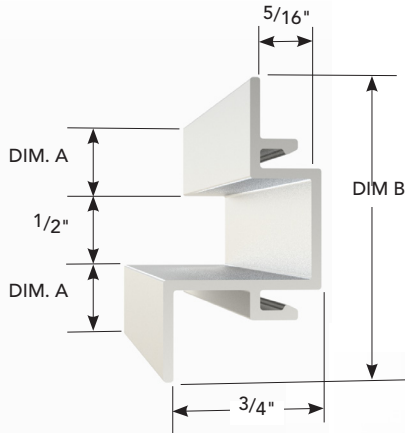
	REVEAL DEPTH	NUMBER
VT2	NOM. 3/8"	FCP-VST375
VT3	NOM. 3/4"	FCP-VST75



PRODUCT DETAIL

INSTALLATION DETAIL / Cross Section

TRANSITION INSERT V41 / V42



USAGE

The Transition Insert is the male portion of an interlocking system that creates a traditional reveal between vertical 5/16" fiber cement panels and traditional 3/4" stucco. The exposed reveal covers the panel's edges to create a vertical design element, hiding installation imperfections. The Transition Insert is available in 10' lengths and a variety of finishes.

GUIDE SPECIFICATION

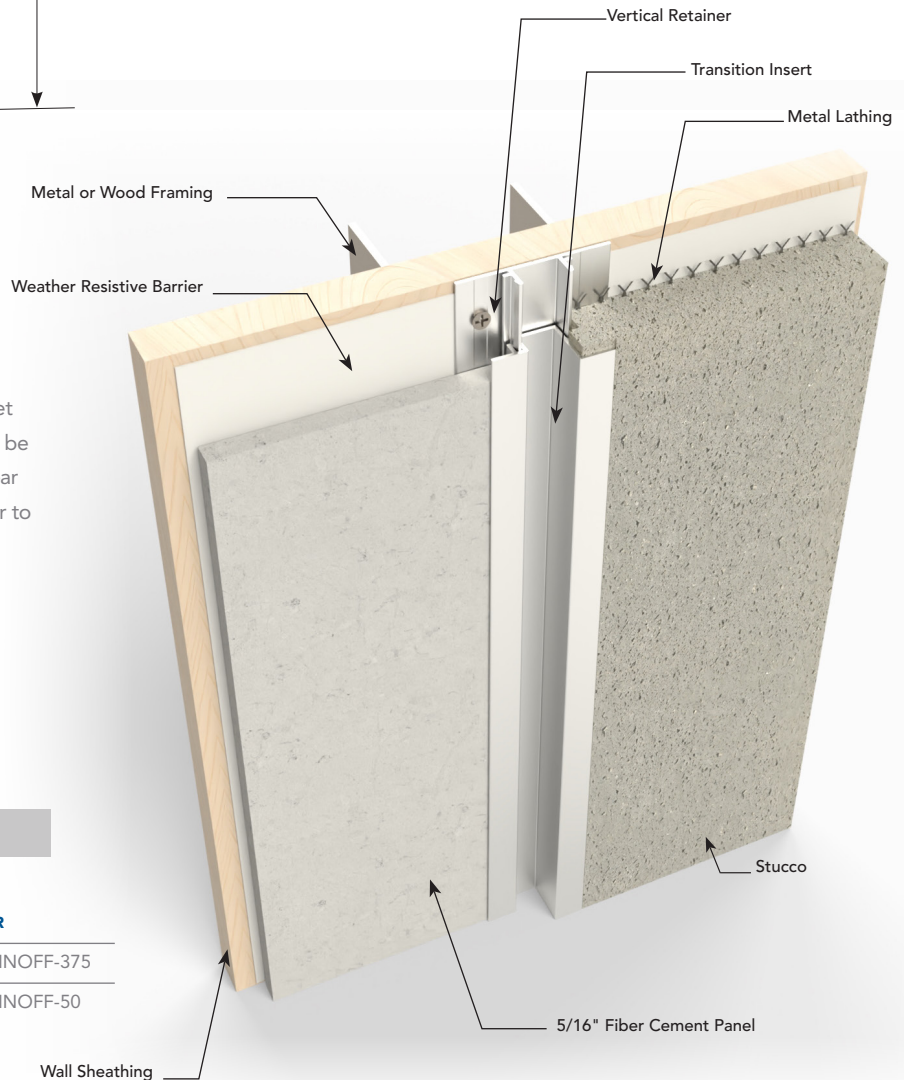
Where indicated on drawings, Fry Reglet Transition Insert, as manufactured by Fry Reglet Corporation, shall be installed. Aluminum shall be extruded alloy 6063 T5. Available in primed, clear anodized, powder coated, or custom finish. Refer to finish section on page 73.

NOTE

Not to be used in horizontal applications where moisture can accumulate. Attach panel in accordance with the panel manufacturer's fastening schedule.

SIZES

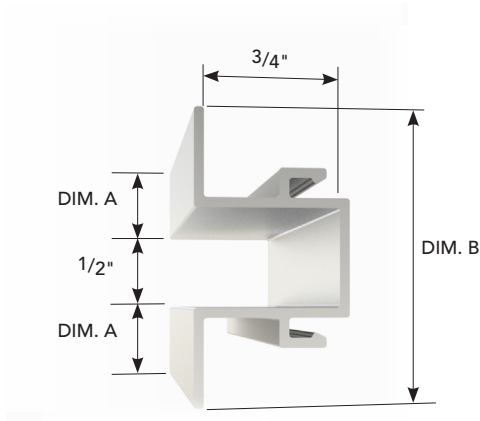
	DIM. A	DIM. B	NUMBER
V41	NOM. 3/8"	1 1/4"	FCP-HSINOFF-375
V42	NOM. 1/2"	1 1/2"	FCP-HSINOFF-50



PRODUCT DETAIL

V20 / V21 LAP INSERT

INSTALLATION DETAIL / Cross Section



USAGE

The Lap Insert is the male portion of an interlocking system that creates a traditional reveal between vertical 5/16" fiber cement lap siding and traditional 3/4" stucco. The exposed reveal covers the panel's edges to create a vertical design element, hiding installation imperfections. The Lap Insert is available in 10' lengths and a variety of finishes.

GUIDE SPECIFICATION

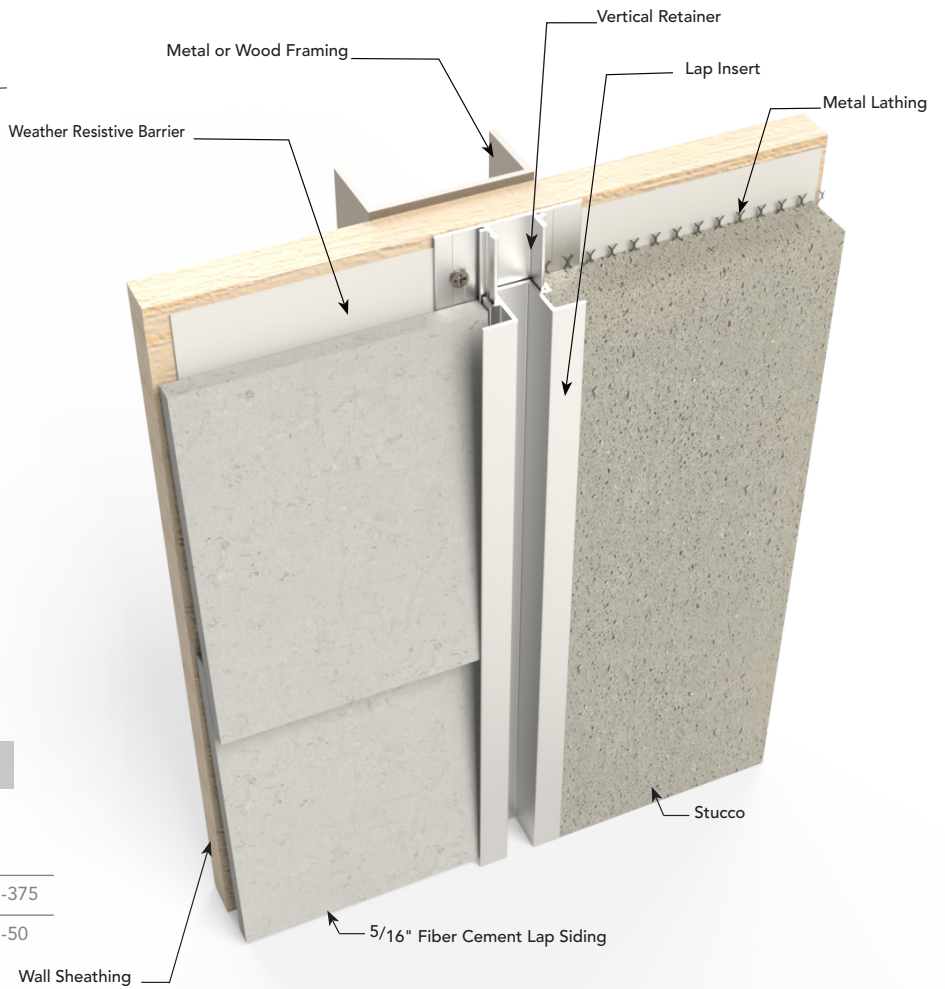
Where indicated on drawings, Fry Reglet Lap Insert, as manufactured by Fry Reglet Corporation, shall be installed. Aluminum shall be extruded alloy 6063 T5. Available in primed, clear anodized, powder coated, or custom finish. Refer to finish section on page 73.

NOTE

Not to be used in horizontal applications where moisture can accumulate. Attach panel in accordance with the panel manufacturer's fastening schedule.

SIZES

	DIM. A	DIM. B	NUMBER
V20	NOM. 3/8"	1 1/4"	FCP-HSIN75-375
V21	NOM. 1/2"	1 1/2"	FCP-HSIN75-50

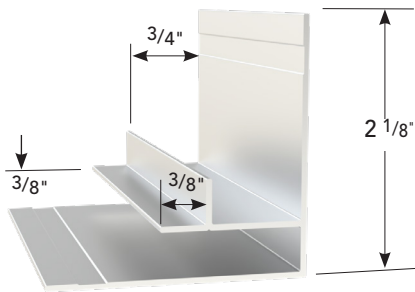


PRODUCT DETAIL

INSTALLATION DETAIL / Cross Section

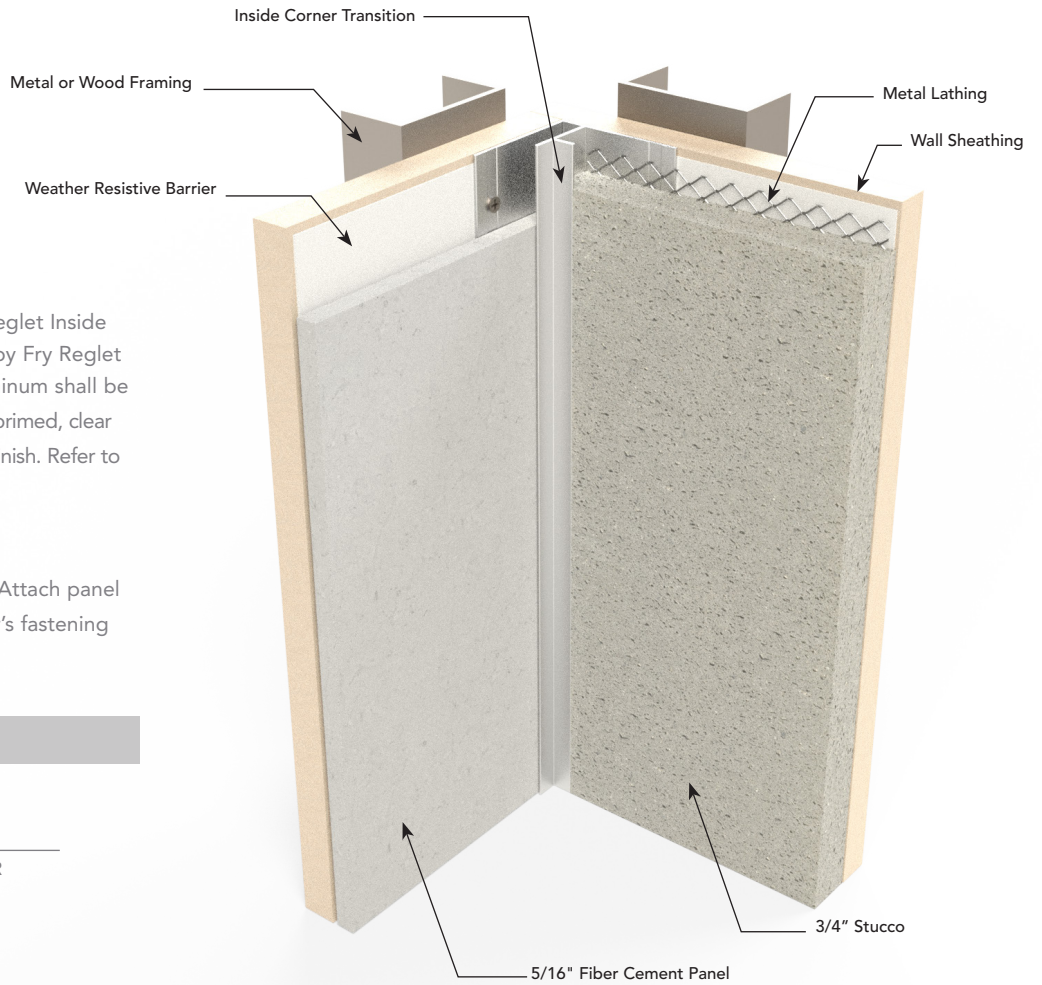
INSIDE CORNER TRANSITION

IC40



USAGE

The Inside Corner Transition creates a traditional termination at inside corner of 5/16" fiber cement panels and traditional 3/4" stucco. The exposed flanges eliminate the need to miter cut in the field, hiding imperfections in field cuts. The Inside Corner Transition is available in 10' lengths and a variety of finishes.



GUIDE SPECIFICATION

Where indicated on drawings, Fry Reglet Inside Corner Transition, as manufactured by Fry Reglet Corporation, shall be installed. Aluminum shall be extruded alloy 6063 T5. Available in primed, clear anodized, powder coated, or custom finish. Refer to finish section on page 73.

NOTE

To be used in a vertical application. Attach panel in accordance with the manufacturer's fastening schedule.

SIZES

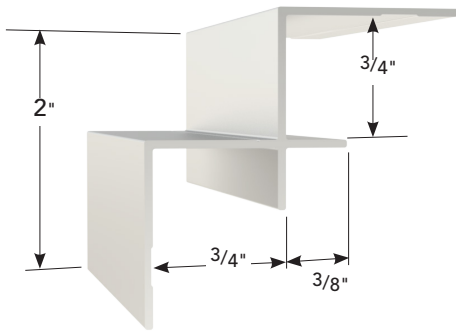
	REVEAL DEPTH	NUMBER
IC40	NOM. 3/8"	FCP-I/SCRNTR

PRODUCT DETAIL

IC21

LAP INSIDE CORNER

INSTALLATION DETAIL / Cross Section



USAGE

The Lap Inside Corner creates a traditional reveal at inside corners of 5/16" fiber cement lap siding and traditional 3/4" stucco. The exposed flanges eliminate the need to miter cut in the field, hiding imperfections in field installation. The Lap Inside Corner is available in 10' lengths and a variety of finishes.

GUIDE SPECIFICATION

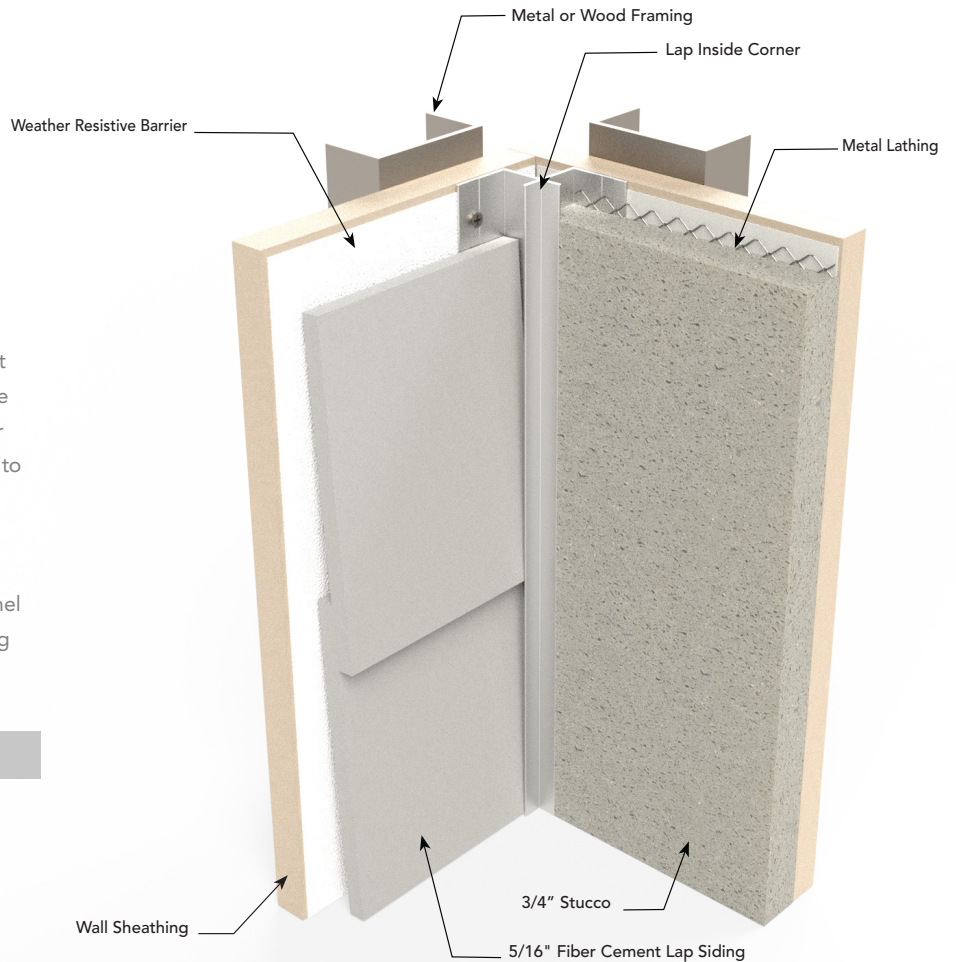
Where indicated on drawings, Fry Reglet Lap Inside Corner, as manufactured by Fry Reglet Corporation, shall be installed. Aluminum shall be extruded alloy 6063 T5. Available in primed, clear anodized, powder coated, or custom finish. Refer to finish section on page 73.

NOTE

To be used in a vertical application. Attach panel in accordance with the manufacturer's fastening schedule.

SIZES

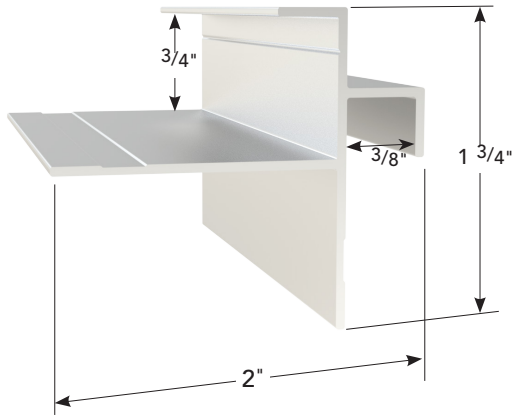
	REVEAL DEPTH	NUMBER
IC21	NOM. 3/8"	FCP-INTISCNR750



PRODUCT DETAIL

INSTALLATION DETAIL / Cross Section

OUTSIDE CORNER TRANSITION OC40



USAGE

The Outside Corner Transition creates a traditional reveal at outside corners of 5/16" fiber cement panels and traditional 3/4" stucco. The exposed flanges eliminate the need to miter cut in the field, hiding imperfections in field cuts. The Outside Corner Transition is available in 10' lengths and variety of finishes.

GUIDE SPECIFICATION

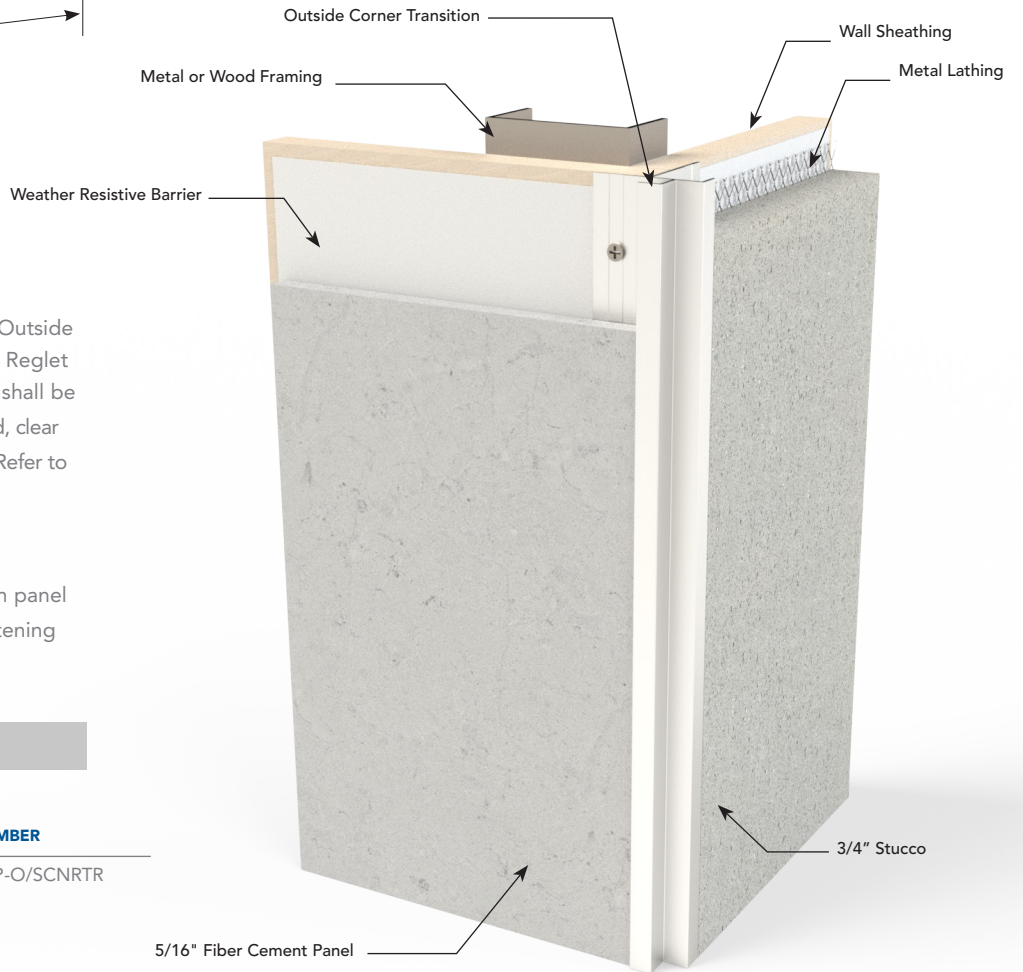
Where indicated on drawings, Fry Reglet Outside Corner Transition, as manufactured by Fry Reglet Corporation, shall be installed. Aluminum shall be extruded alloy 6063 T5. Available in primed, clear anodized, powder coated, or custom finish. Refer to finish section on page 73.

NOTE

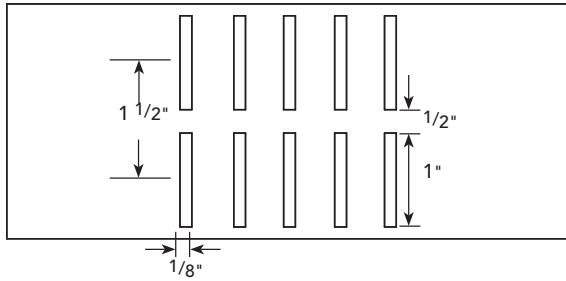
To be used in a vertical application. Attach panel in accordance with the manufacturer's fastening schedule.

SIZES

	REVEAL DEPTH	REVEAL DEPTH	NUMBER
OC40	NOM. 3/8"	NOM. 3/4"	FCP-O/SCNRTR



VENTILATION INFORMATION



Example of vented profile with five rows of slots shown. Venting is available in one row of slots up to five rows dependent on width of the reveal.

USAGE

Moldings requiring venting are provided with vents for air movement. In size charts they are identified with a "V" in the center of the product number.

GUIDE SPECIFICATION

All vent slots are 1/8" wide by 1" long, spaced 1 1/2" on center lengthwise. Multiple rows are spaced laterally 1/2" on center. Each row of vent slots lengthwise provides approximately one square inch of vented area per lineal foot.

VENTILATION INFORMATION

REVEAL WIDTH	VENT SLOT	VENT AREA PER LINEAL FOOT (APPROX.)	PERCENT OF AREA VENTED (APPROX.)
1/2"	1	1 sq. inch	15.0%
3/4"	1	1 sq. inch	12.5%
1"	1	1 sq. inch	9.4%
1 1/2"	2	2 sq. inch	12.5%
2"	3	3 sq. inch	14.1%
3"	5	5 sq. inch	14.3%



**PRODUCT DETAIL****FINISHES****CLEAR AND COLOR ANODIZED COATINGS**

Anodizing is an electrochemical process in which the aluminum is immersed in an acid solution through which electric current is passed. It is an electrolytic passivation process used to increase the thickness of the natural oxide layer on the surface of aluminum parts.

**GENERAL NOTE CONCERNING ANODIZED COATINGS:**

Due to the nature of the anodizing process, shade variations can be expected from one element to another.

**POWDER PAINT**

Fry Reglet Powder Paint provides a durable finish and is the standard Fry Reglet paint finish for FCP trims. This factory applied, baked-on finish is available at standard lead times in the colors shown and in custom colors to match swatches provided.

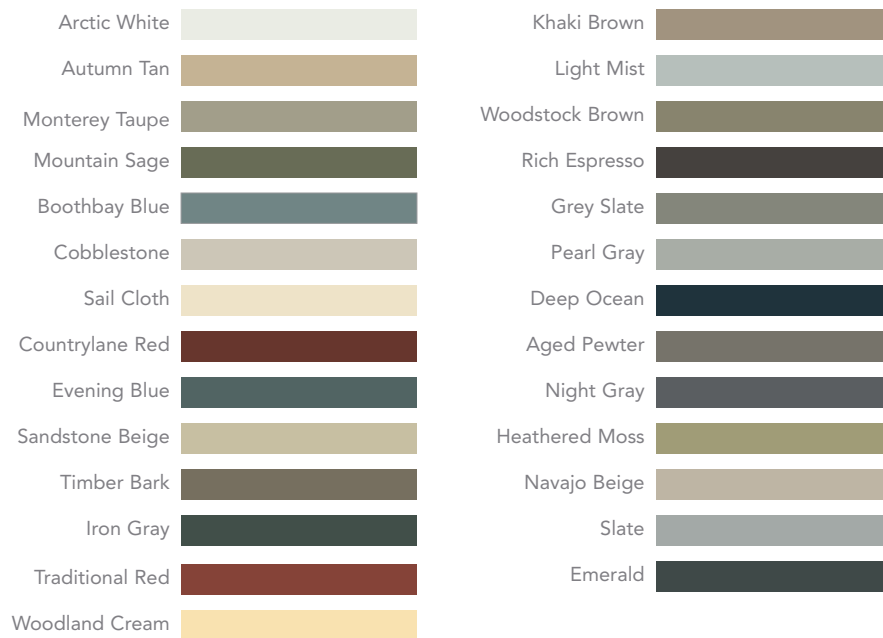
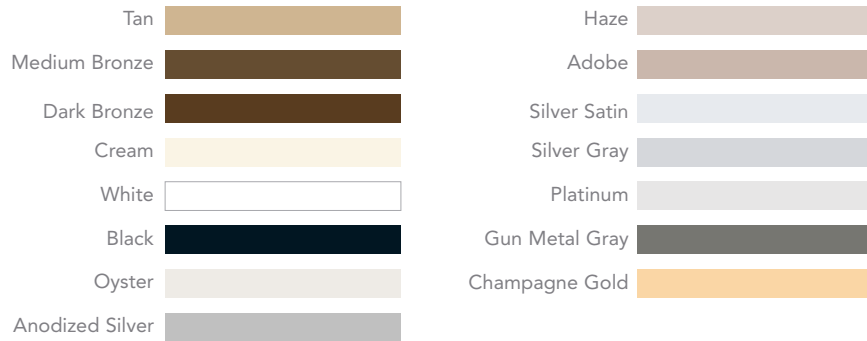
**PRIME FINISH**

Fry Reglet Prime Paint is spray-applied in the factory and baked on so that it serves as an ideal base for finish painting in the field.

## Anodized Colors
















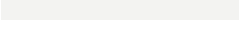








## Powder Coat Colors





\*matched to James Hardie colors

FRY REGLET FINISHES

FINISHES

Autumn Red		Granite Gray	
Sable Brown		Savannah Wicker	
Hearthstone		Marigold	
Suede		Desert Tan	
Taupe		Linen	
Olive		Sterling Gray	
Forest		Snow	
Pacific Blue		Cedar	
Coastal Blue		Maple	
Flagstone		Mahogany	
Pewter		Redwood	

\*matched to Allura colors

Aspen Ridge		Stone Blue	
Cascade Slate		Summer Wheat	
Coastal Gray		Tamarack Green	
Mountain Cedar		Timber Trail	
Old Cherry		Vintage Cabernet	
River Rock		Warm Espresso	
Roasted Walnut		White Granite	
Rosewood		Wild Berry	
Smokey Alder		Winchester Brown	
Sand Castle		Caribou Trails	
Midnight Tide		Black Canyon	
White Rapids			

\*matched to Woodtone colors

# FRY REGLET

800-237-9773 | [www.fryreglet.com](http://www.fryreglet.com)