

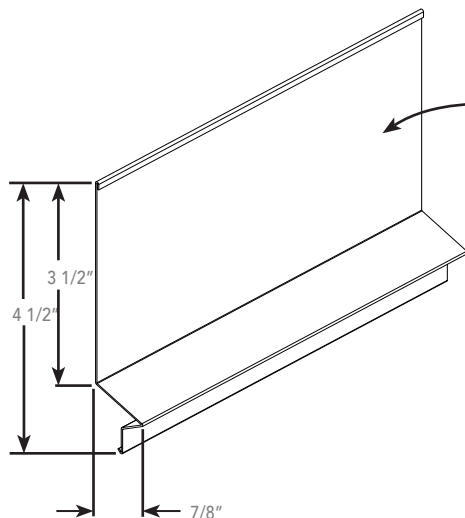
Our **NEW AND IMPROVED** STX Stucco reglet now features a 3 1/2" vertical flange that provides for an easier installation and helps prevent moisture penetration. The STX Stucco reglet is specifically engineered for stucco over block conditions, and designed to accept Springlok flashing and other flexible flashing.

**FEATURES AND BENEFITS**

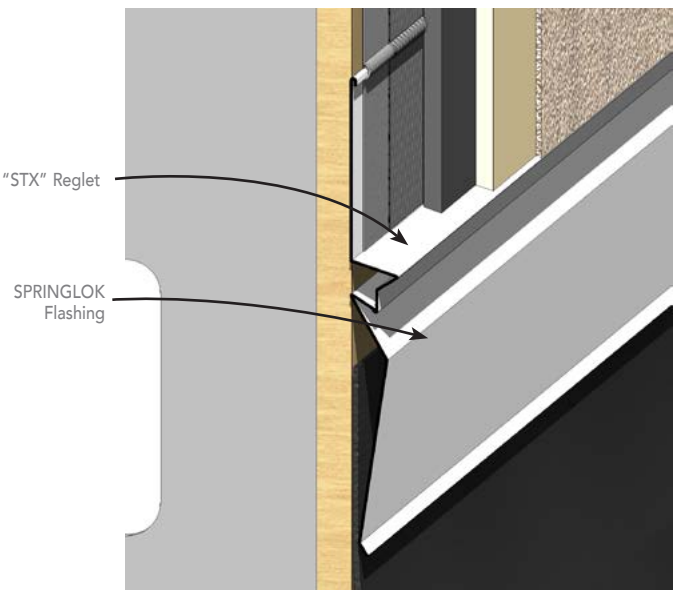
- Redesigned with 3 1/2" vertical leg for ease of installation.
- A "V" projection allows stucco to be applied directly over reglet.
- Designed to eliminate a nailer or backing strip.
- 1" end lap allows for proper alignment and eliminates leaky butt joints.
- Roll-formed to ensure precise fit every time.

**PRODUCT DESCRIPTION:**

<u>MATERIAL</u>	<u>THICKNESS</u>	<u>FINISH</u>	<u>COLOR</u>
Galvanized Steel	24 gage	Standard Zinc Finish	N/A
Galvanized Steel	24 gage	Kynar 500/Hylar 500	Specify color
Galvanized Steel	24 gage	Factory applied powder paint	Specify color
Copper	16oz	Standard Uncoated Finish	N/A
Aluminum	0.025" / 0.040"	Polyester Coating	Gray
Stainless Steel, Type 304	0.020"	Standard Uncoated Finish	N/A



**PRODUCT DETAIL**



**ASSEMBLY DETAIL**

## SPRINGLOK FLASHING SYSTEM FUNCTIONALLY UNIQUE.

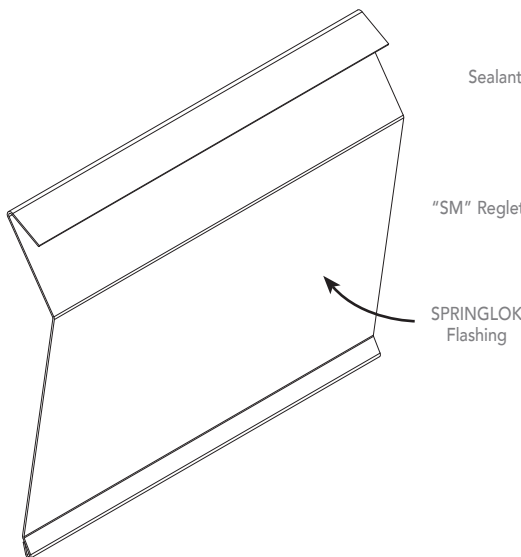
Fry Reglet comprehensive selection of moisture prevention products offer the ultimate in protection from the elements. Available nationwide in a variety of materials and finishes, Fry Reglet offers five pre-engineered flashing systems tailored for specific substrates - all designed, tested and proven to keep wind and moisture from getting under the roof. Plus, Fry Reglet provides a complete solution with drawings, installation instructions and the best technical support in the industry.

### FEATURES AND BENEFITS

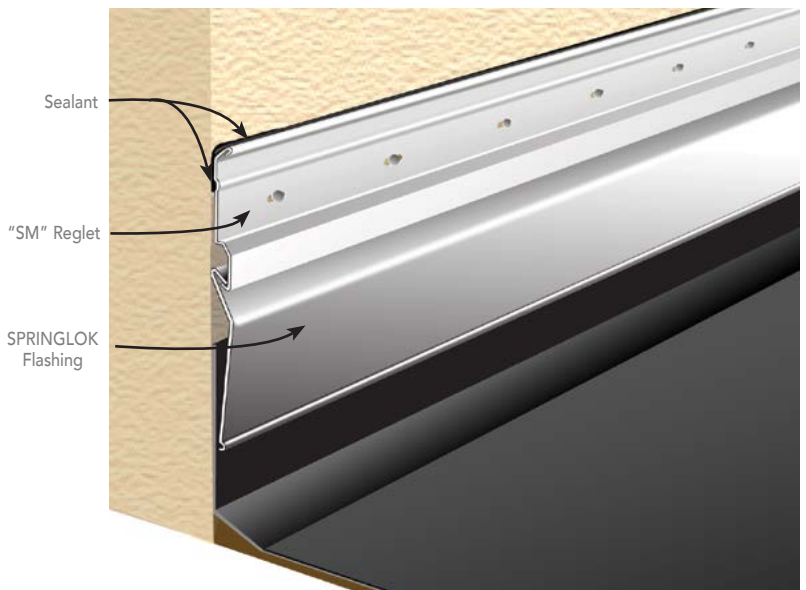
- Tested in accordance with **ASTM D3161 - Wind Resistance** to withstand *110 MPH sustained wind velocity for two hours without evidence of uplift (Class F)*
- "The Springlok flashing system is designed to hold the flashing tightly against the parapet wall".
- Reglets and flashing are roll formed to ensure precise fit and finish every time.
- Embossed end details precisely align each profile and provide an overlap for added protection against water penetration.
- Five reglet profiles are available for any type of commercial construction.

### PRODUCT DESCRIPTION:

MATERIAL	THICKNESS	FINISH	COLOR
Galvanized Steel	24 gage	Standard Zinc Finish	N/A
Galvanized Steel	26 gage	Standard Zinc Finish	N/A
Copper	16oz	Standard Uncoated Finish	N/A
Aluminum	0.025" / 0.040"	Polyester Coating	Gray
Stainless Steel, Type 304	0.020"	Standard Uncoated Finish	N/A



**PRODUCT DETAIL**



**ASSEMBLY DETAIL  
(SHOWN WITH SM REGLET)**