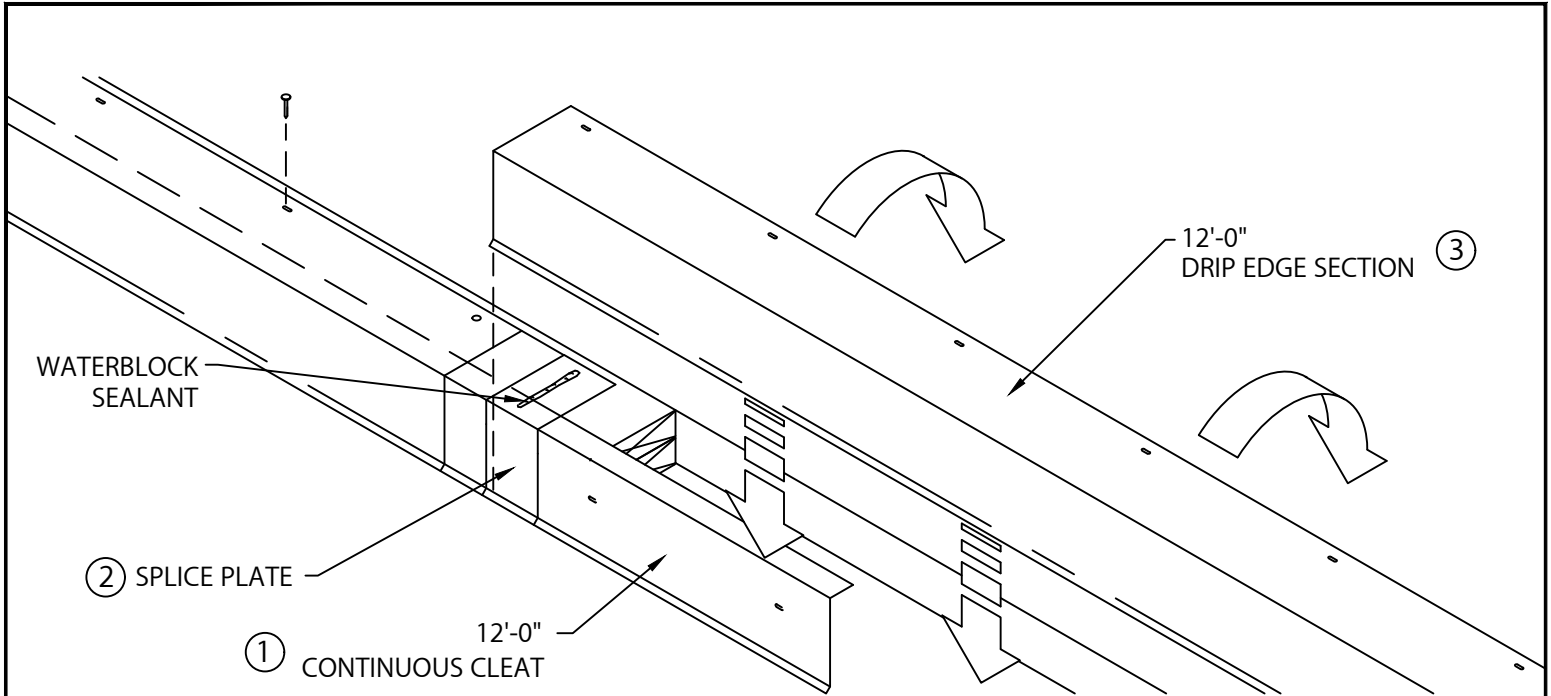


# EVERGUARD DRIP EDGE

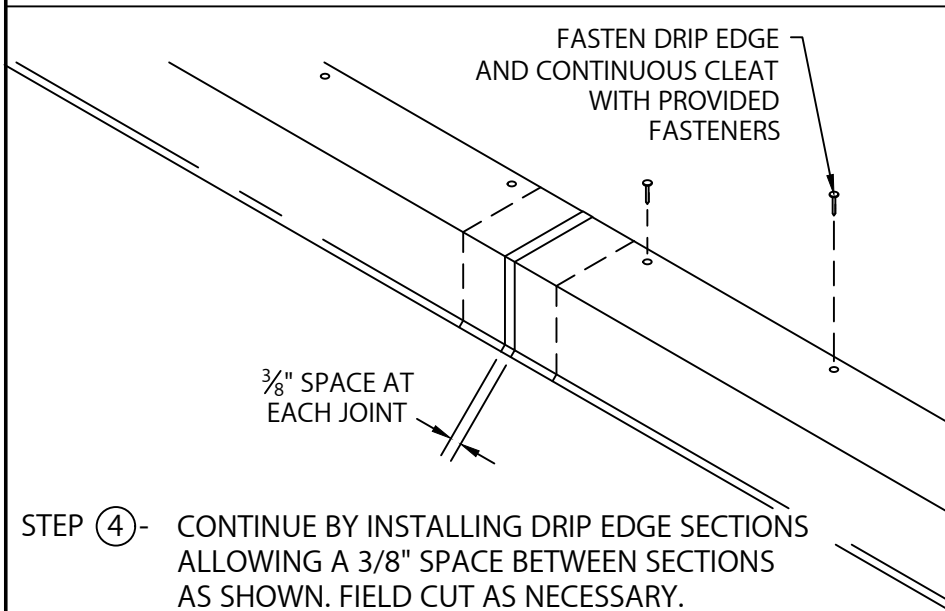
WITH CONTINUOUS CLEAT  
INSTALLATION INSTRUCTIONS



STEP ① - POSITION AND FASTEN CONTINUOUS CLEAT 12" O.C. AS SHOWN WITH PROVIDED FASTENERS.

STEP ② - LOCATE AND FASTEN 6" WIDE SPLICE PLATES AT EACH JOINT. WATERBLOCK SEALANT TO BE FIELD APPLIED TO TOP OF EACH SPLICE PLATE AS SHOWN.

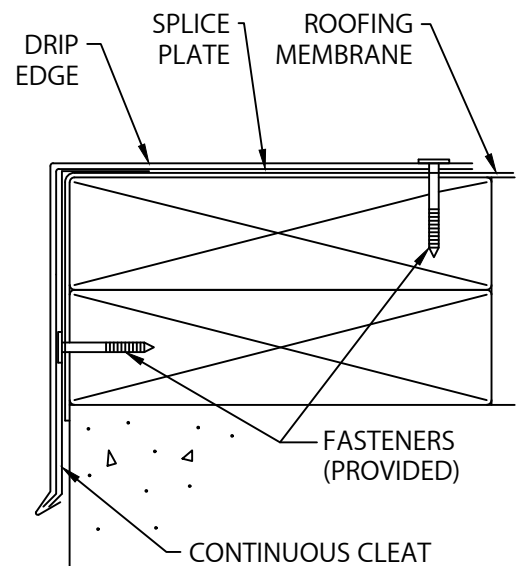
STEP ③ - HOOK DRIP EDGE OF EACH DRIP EDGE SECTION ONTO CONTINUOUS CLEAT, ROTATE INTO PLACE, AND FASTEN WITH PROVIDED FASTENERS.



STEP ④ - CONTINUE BY INSTALLING DRIP EDGE SECTIONS ALLOWING A 3/8" SPACE BETWEEN SECTIONS AS SHOWN. FIELD CUT AS NECESSARY.

CAUTION : REMOVE PROTECTIVE FILM IMMEDIATELY AFTER INSTALLATION. INSTALLERS SHALL WEAR PROTECTIVE EYEWEAR TO PREVENT INJURY.

## TYPICAL INSTALLATION



Customer Service  
Phone: 800-558-2162 Fax: 800-373-9156

DATE: 04/06/22  
DRN BY: MLM  
CKD BY: MM

SHT.# \_\_\_ OF \_\_\_  
DWG# 25110-10233

B