

EverGuard Standard EZ Fascia EX

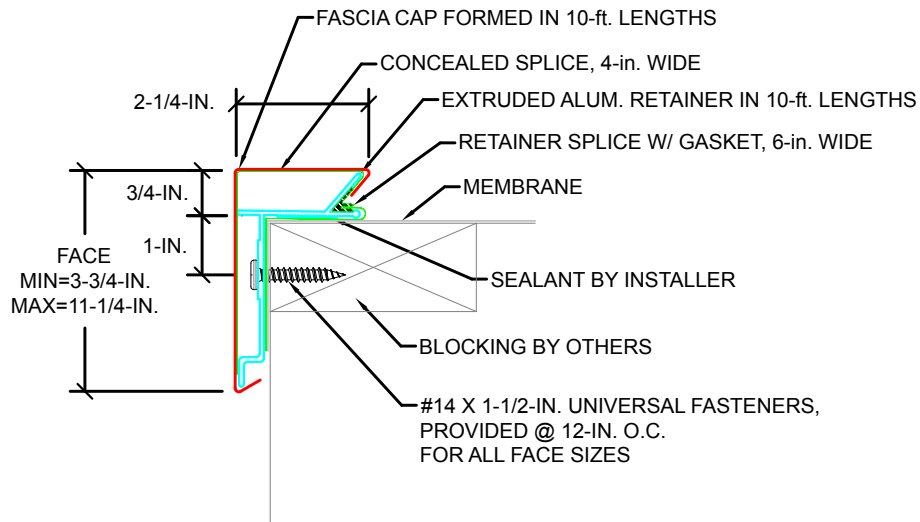
Extruded Aluminum Retainer For Single-Ply



Order Specification Form

ANSI/SPRI/FM4435/ES-1 TEST PRESSURES UP TO 260 PSF (HORIZONTAL)

STANDARD FACE SIZES	
3.75"	
5.25"	
6.75"	
8.25"	
11.25"	



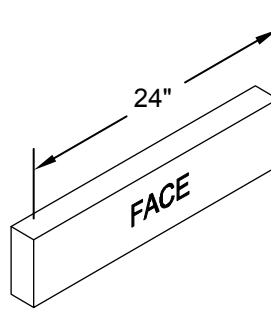
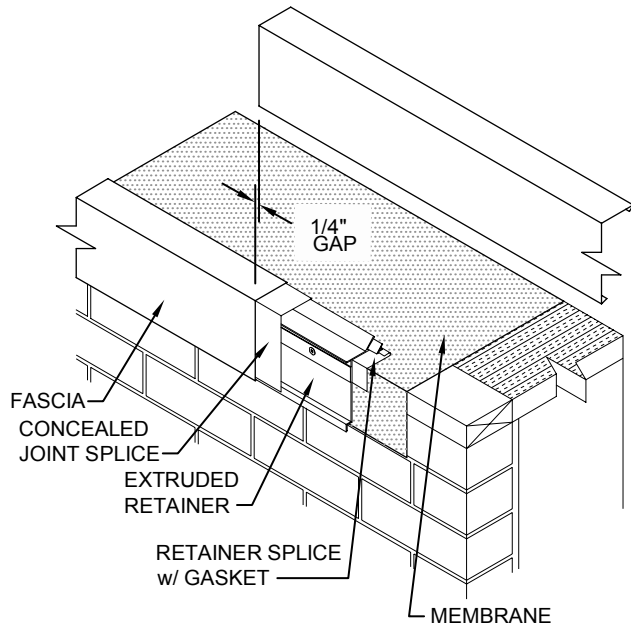
PRE-DRILL WITH 3/16-IN. DRILL BIT FOR MASONRY CONDITIONS.

CONTACT US FOR APPROPRIATE RECOMMENDATIONS NEEDED TO MEET/EXCEED ANSI/SPRI/FM4435/ES-1 DESIGN CRITERIA

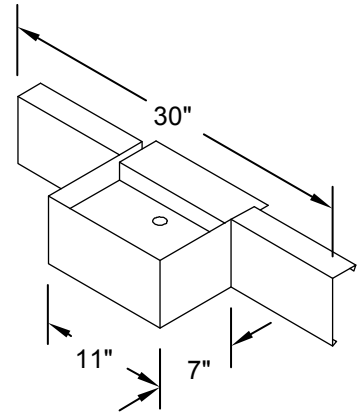
APPROVALS	COVER MATERIAL	THICKNESS	COVER FINISH
	Aluminum Galvanized Steel Stainless Steel	24Ga. 22Ga. .040 in. .050 in. .063 in.	Mill Prefinished Kynar Premium Prefinished Kynar Post Finished Kynar Prefinished Anodized Post Finished Anodized
QUANTITY _____ Straight Length _____ Total Miters (Inside: _____ / Outside: _____) _____ Total End Caps (Left: _____ / Right: _____) _____ Total End Terms (Left: _____ / Right: _____) _____ Radius Notched _____ Radius to Straight Miter Notched _____ Radius End Cap _____ Vault Welded _____ Vault to Straight Miter Welded _____ Vault End Cap _____ Z-Miter _____ Ridge Miter _____ Valley Miter _____ Sumps _____ Spillouts	ACCESSORY TYPE Welded Folded	CUSTOMER APPROVAL Approved for Fabrication Approved with Changes Not Approved _____ Authorized Customer Signature _____ Title Date	
COLOR _____	Job Name: Project Location: Customer: Representative:		

EverGuard Standard EZ Fascia EX

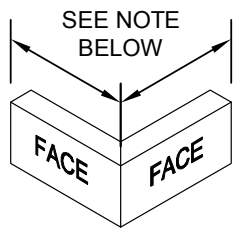
**Extruded Aluminum
Retainer For Single-Ply**



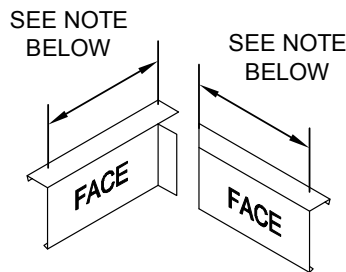
END CAP
LEFT HAND SHOWN



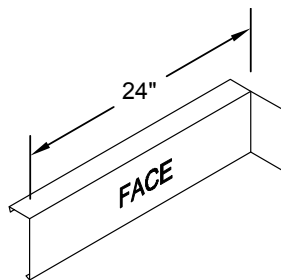
SUMP
2 PIECE ASSEMBLY



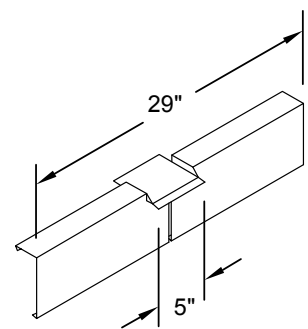
OUTSIDE MITER



INSIDE MITER
2 PIECE ASSEMBLY



END TERM
RIGHT HAND SHOWN



SPILLOUT
3 PIECE ASSEMBLY

Standard fascia miter leg lengths: 12" nominal

Standard fascia miter angle is 90°

For special miter requirements, attach sketches or consult manufacturer for assistance.