

Tapered Design Sell Sheet (COMGN274)

Updated: 1/16



*Quality You Can Trust...From
North America's Largest Roofing Manufacturer!™*



Quality You Can Trust... From North America's Largest Roofing Manufacturer!™

EnergyGuard™

POLYISO INSULATION

Get The Longevity You Deserve Out Of Your Roof!

Tapered polyiso insulation provides a logical and economical answer for roofs that do not permit adequate positive drainage, like low-slope roofs. When correctly installed, tapered insulation helps eliminate problems due to ponding water and can extend the longevity of your low-slope roofing system.

GAF offers a full lineup of tapered panels to provide you with different options to help you create the best design for roofing project.

POLYISO INSULATION

Tapered Polyiso Foam Roof Insulation

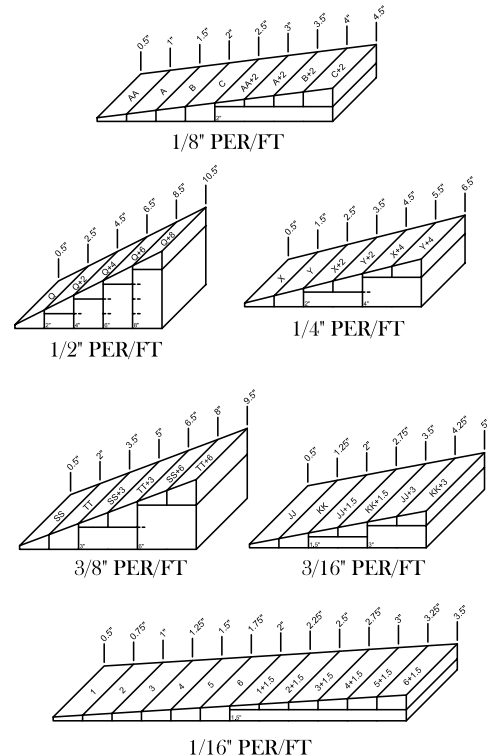
TAPERED PANELS - 4' X 4'

	BOARD STYLE	DIMENSIONS IN INCHES	AVERAGE THICKNESS	BD FEET PER PANEL
1/8"	AA	0.5" - 1"	0.75"	12
	A	1" - 1.5"	1.25"	20
	B	1.5" - 2"	1.75"	28
	C	2" - 2.5"	2.25"	36
	* D	2.5" - 3"	2.75"	44
	* E	3" - 3.5"	3.25"	52
	* F	3.5" - 4"	3.75"	60
	* FF	4" - 4.5"	4.25"	68
1/4"	X	0.5" - 1.5"	1"	16
	Y	1.5" - 2.5"	2"	32
	* Z	2.5" - 3.5"	3"	48
	* ZZ	3.5" - 4.5"	4"	64
	G	1" - 2"	1.5"	24
	H	2" - 3"	2.5"	40
1/2"	* I	3" - 4"	3.5"	56
	Q	0.5" - 2.5"	1.5"	24
	* QQ	2.5" - 4.5"	3.5"	56
	* XX	1" - 3"	2"	32
3/16"	* JJ	0.5" - 1.25"	0.875"	14
	* KK	1.25" - 2"	1.625"	26
	* LL	2" - 2.75"	2.375"	38
	* MM	2.75" - 3.5"	3.125"	50
	* J	1" - 1.75"	1.375"	22
	* K	1.75" - 2.5"	2.125"	34
	* L	2.5" - 3.25"	2.875"	46
	* M	3.25" - 4"	3.625"	58
3/8"	* SS	0.5" - 2"	1.25"	20
	* TT	2" - 3.5"	2.75"	44
	* S	1" - 2.5"	1.75"	28
1/16"	1	0.5" - .75"	0.625"	10
	2	.75" - 1"	0.875"	14
	3	1" - 1.25"	1.125"	18
	4	1.25" - 1.5"	1.375"	22
	5	1.5" - 1.75"	1.625"	26
	6	1.75" - 2"	1.875"	30
	* 7	2" - 2.25"	2.125"	34
	* 8	2.25" - 2.5"	2.375"	38

*Availability for these tapered panel systems may vary for each region.

TAPERED PANELS MATRIX

FT	1/8"	1/4"	1/2"	3/16"	3/8"	1/16"
4	1"	1.5"	2.5"	1.25"	2"	.75"
8	1.5"	2.5"	4.5"	2"	3.5"	1"
12	2"	3.5"	6.5"	2.75"	5"	1.25"
16	2.5"	4.5"	8.5"	3.5"	6.5"	1.5"
20	3"	5.5"	10.5"	4.25"	8"	1.75"
24	3.5"	6.5"	12.5"	5"	9.5"	2"
28	4"	7.5"	14.5"	5.75"	11"	2.25"
32	4.5"	8.5"	16.5"	6.5"	12.5"	2.5"
36	5"	9.5"	18.5"	7.25"	14"	2.75"
40	5.5"	10.5"	20.5"	8"	15.5"	3"
44	6"	11.5"	22.5"	8.75"	17"	3.25"
48	6.5"	12.5"	24.5"	9.5"	18.5"	3.5"
52	7"	13.5"	26.5"	10.25"	20"	3.75"
56	7.5"	14.5"	28.5"	11"	21.5"	4"
60	8"	15.5"	30.5"	11.75"	23"	4.25"
64	8.5"	16.5"	32.5"	12.5"	24.5"	4.5"
68	9"	17.5"	34.5"	13.25"	26"	4.75"
72	9.5"	18.5"	36.5"	14"	27.5"	5"
76	10"	19.5"	38.5"	14.75"	29"	5.25"
80	10.5"	20.5"	40.5"	15.5"	30.5"	5.5"



The key benefit of an extended panel design versus a standard panel design is the savings you will get on adhesive when fully adhering polyiso. In addition, you save on material since it uses an additional 3" panel and requires less fill...that translates to less handling and less labor.

Extended Panel Design

Standard Panel Design

