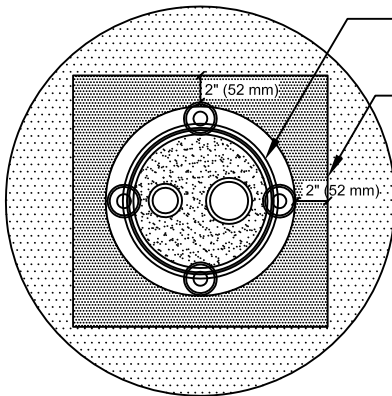


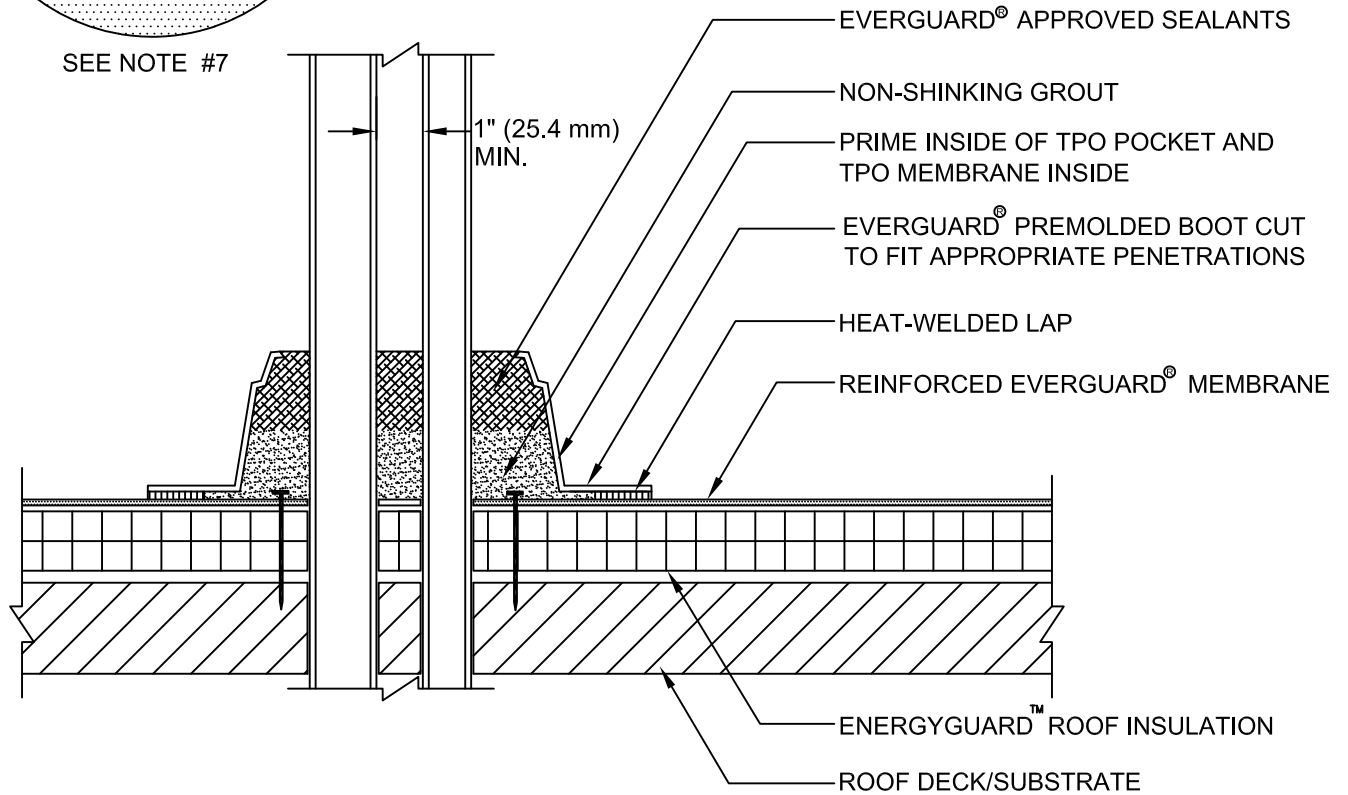
ALTERNATE INSTALLATION



SEE NOTE #7

EVERGUARD® TPO PREFORMED VENT BOOT

TARGET MADE FROM EVERGUARD® MEMBRANE



NOTE:

1. EXISTING PROJECTION MUST BE CLEANED AND FREE OF INSULATING MATERIALS .
2. DO NOT USE OVER EXISTING PENETRATION POCKETS.
3. DO NOT USE WHEN SERVICE LINE TEMP. EXCEEDS 140°F (60°C).
4. IF THE PLATES AND FASTENERS INTRUDE INTO BOOT FLANGE AREA, THEN A TARGET MUST FIRST BE INSTALLED OVER PLATES AND FASTENERS BEFORE BOOT INSTALLATION.
5. 25 YEAR GUARANTEES AND ABOVE MUST USE EXTREME ACCESSORIES
6. APPLY EVERGUARD® TPO CUT EDGE SEALANT TO ALL CUT REINFORCED TPO EDGES (REFER TO EVERGUARD® DETAIL 115).



EverGuard
SINGLE-PLY ROOFING SYSTEMS
ROOF PENETRATION
SERIES

DRAWING #

522

SCALE
N.T.S.

PREFORMED PENETRATION
FLASHING DETAIL

THIS DETAIL APPLIES TO:

ALL SYSTEMS

REVISION DATE
6-22-16

www.gaf.com
1 Campus Drive,
Parsippany, NJ 07054