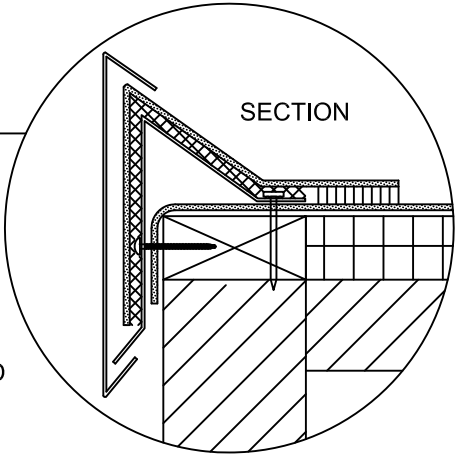
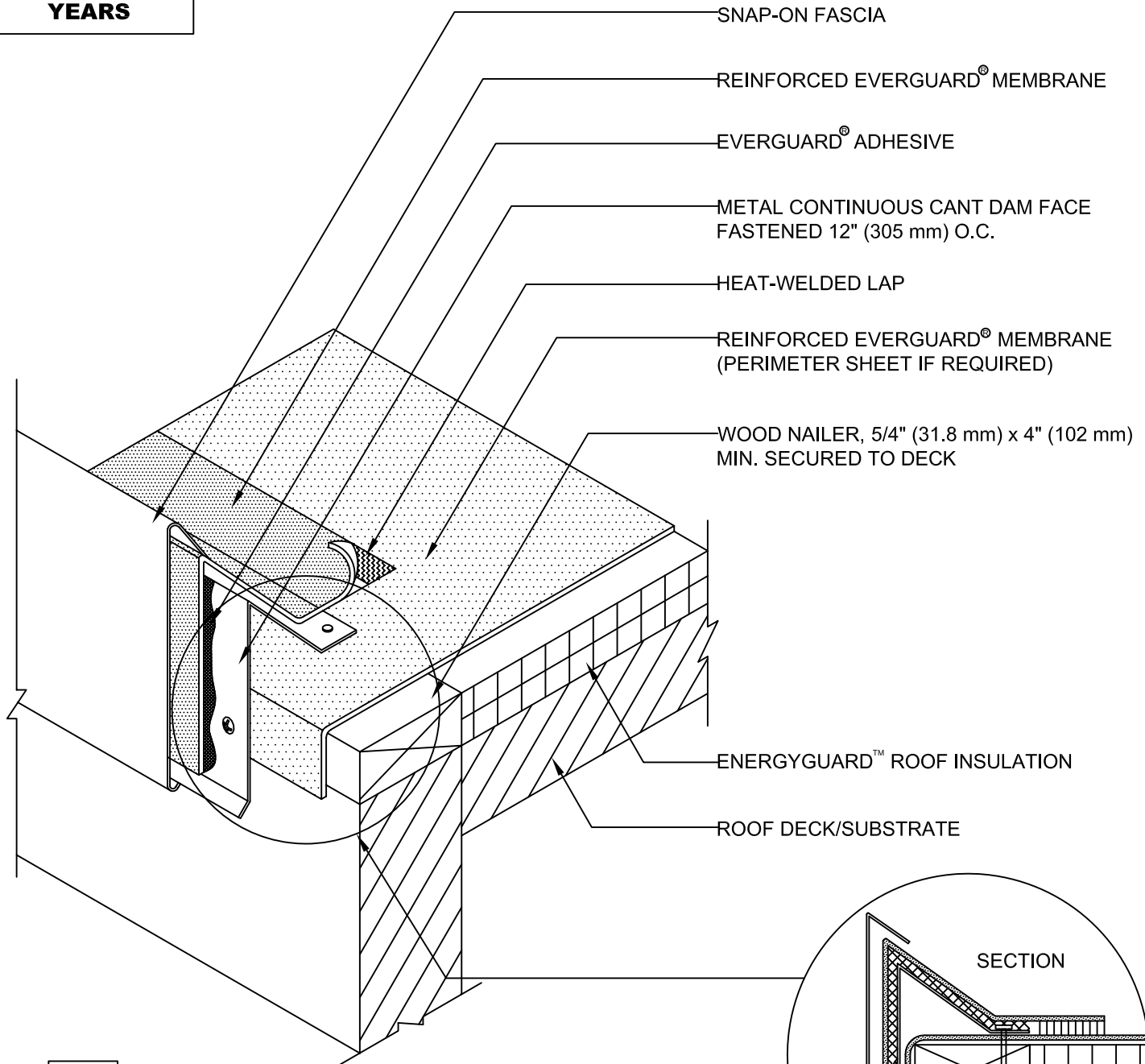


**FOR EXTENDED  
WARRANTY 20+  
YEARS**



**NOTE:**

1. ADD BALLAST PER SPECIFICATION FOR BALLASTED SYSTEMS. REFER TO APPROPRIATE DETAIL.
2. APPLY EVERGUARD® TPO CUT EDGE SEALANT TO ALL CUT REINFORCED TPO EDGES (REFER TO EVERGUARD® DETAIL 115).



**EverGuard**  
SINGLE-PLY ROOFING SYSTEMS  
ROOF EDGE SERIES

DRAWING #  
**206**

**SNAP-ON FASCIA ROOF  
EDGE DETAIL - OPTION 2**

**THIS DETAIL APPLIES TO:**  
Adhered Systems  
Ballasted Systems  
Mechanically Attached Systems  
Self-Adhered Systems (Heat-weld only)  
TriPosite Systems

www.gaf.com  
1 Campus Drive,  
Parsippany, NJ 07054

SCALE  
N.T.S.

REVISION DATE  
6-23-15