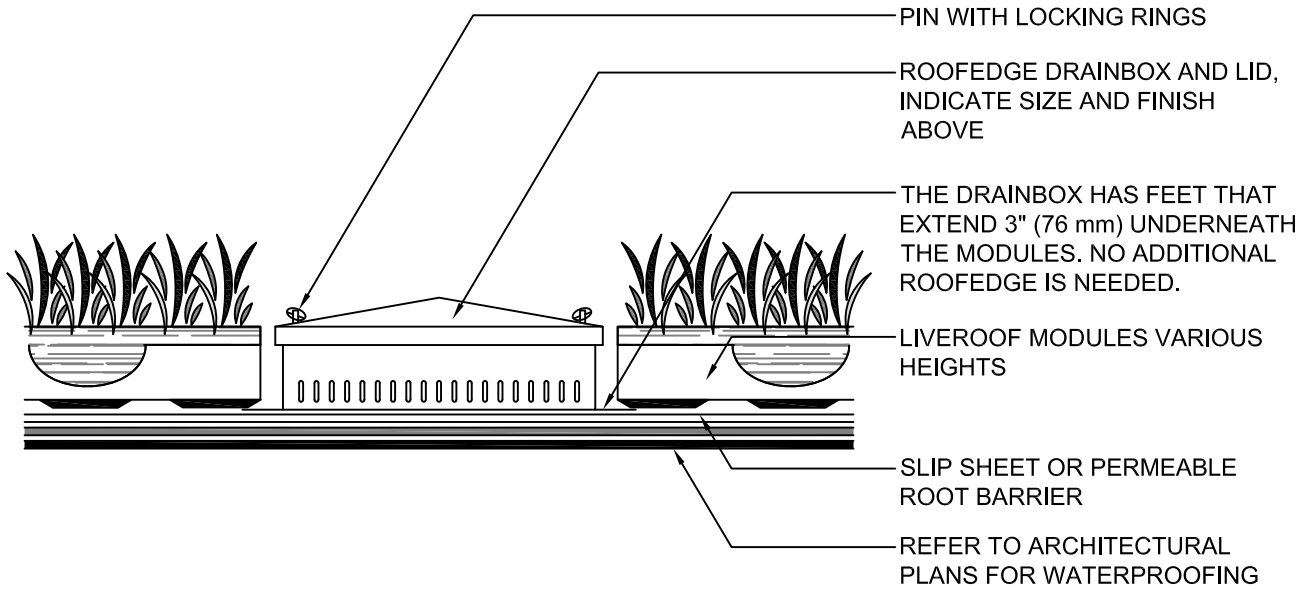
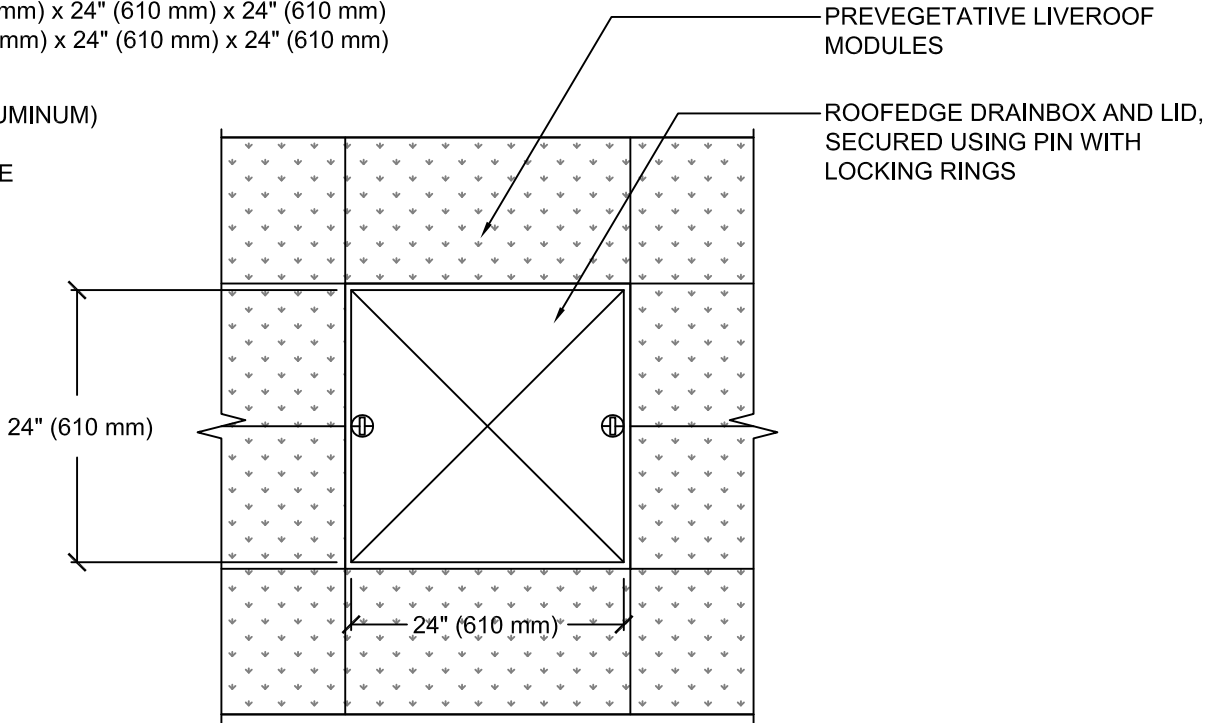


DRAINBOX SIZES (ALUMINUM)

- LITE: 2.75" (70 mm) x 24" (610 mm) x 24" (610 mm)
- STANDARD: 4.25" (108 mm) x 24" (610 mm) x 24" (610 mm)
- DEEP: 6.50" (165 mm) x 24" (610 mm) x 24" (610 mm)
- MAXX: 8.50" (216 mm) x 24" (610 mm) x 24" (610 mm)

LID FINISHES (ALUMINUM)

- MILL
- BRONZE ANODIZE
- BLACK ANODIZE



NOTE:

1. DRAIN COMPONENTS AND FLASHING SHOULD BE INSTALLED ACCORDING TO MANUFACTURER INSTRUCTIONS.



**DRAIN APPLICATION
USING ROOFEDGE® DRAINBOX AND LID**

**DESIGNED FOR USE WITH
LIVEROOF® GREEN ROOF SYSTEM**

SYSTEM
LR

SCALE
N.T.S.

DRAWING #
301

ISSUE/ REVISION DATE
12-1-16