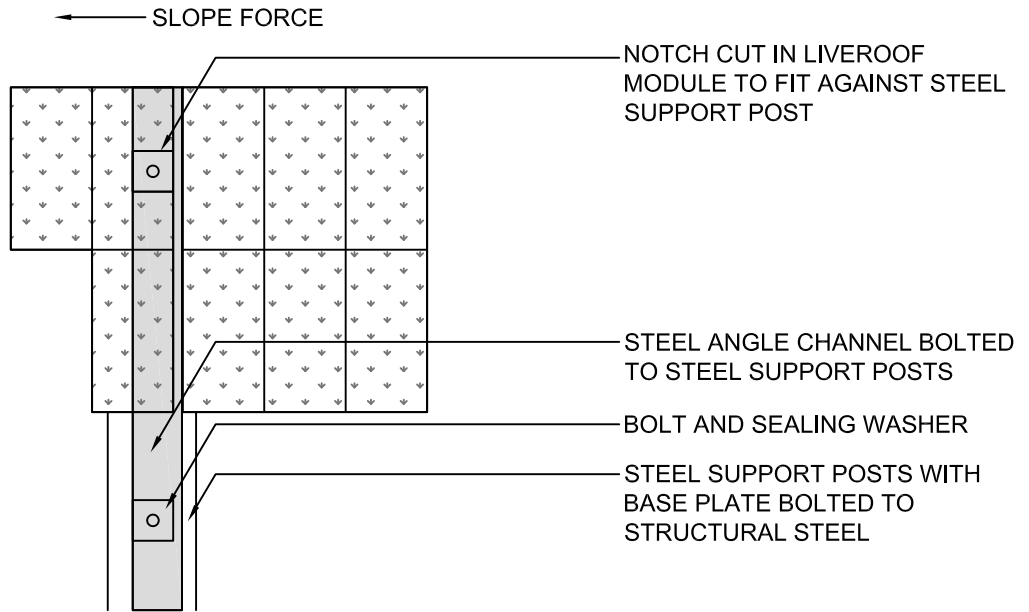
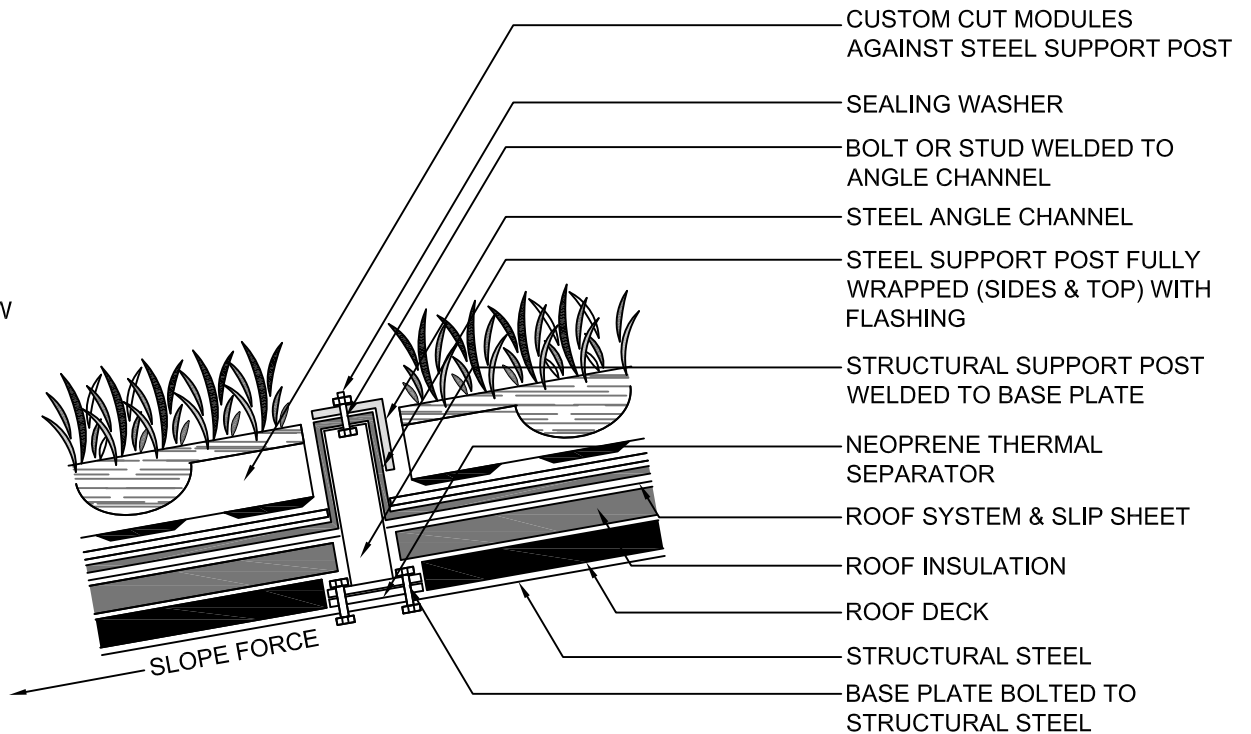


TOP VIEW



SIDE VIEW



**NOTE:**

1. ILLUSTRATIONS ARE TO CONCEPTUALLY ASSIST PROFESSIONALS IN DESIGNING LIVEROOF INSTALLATIONS. LIVEROOF DOES NOT ACCEPT RESPONSIBILITY FOR ENGINEERING BASED ON ILLUSTRATIONS. A QUALIFIED ROOFING SPECIALIST SHOULD BE CONSULTED TO DETERMINE APPROPRIATE WATERPROOFING AND ROOF DECK MATERIALS AND SUITABLE DESIGN.



**SLOPED APPLICATION**  
 BOLTED STRUCTURAL POST AND STEEL ANGLE CHANNEL CONSTRAINT AGAINST DOWNWARD FORCE

DESIGNED FOR USE WITH  
 LIVEROOF® GREEN ROOF SYSTEM

SYSTEM  
**LR**

SCALE  
 N.T.S.

DRAWING #  
**803**

ISSUE/ REVISION DATE  
 12-1-16