

LeakBuster™ MWeld MScupper

Data Sheet

Updated: 1/10



*Quality You Can Trust Since 1886...
From North America's Largest Roofing Manufacturer™*



LEAKBUSTER™ MWELD MSCUPPER (1 OF 2)

Description

The MScupper is a pre-flashed metal through-wall roof drain designed for easy installation to aid in quick lateral removal of water.

- Built to accommodate a 4 1/2" (114 mm) cant strip where the wall and roof deck intersect. Non-canted models are available on a custom basis.
- Stock sizes are 3" (76 mm) x 2 1/2" (64 mm) x 15" (38 cm) and 5" (127 mm) x 2 1/2" (64 mm) x 15" (38 cm). Custom sizes are available upon request.
- MScuppers are flashed with an APP or SBS smooth surfaced membrane. Unflashed MScuppers are also available.
- Packaging: 2 flashed or 10 unflashed per box.

Uses

- Designed to accommodate through-wall draining. Prompt draining of water on the roof deck will help prevent premature degradation of the roof membrane. In addition, ponding water adds weight and stress to the foundation and building structure.

Uses (Continued)

- Scupper inserts are available for retrofit applications, thus eliminating the need for removal of existing scuppers and their waterproofing.

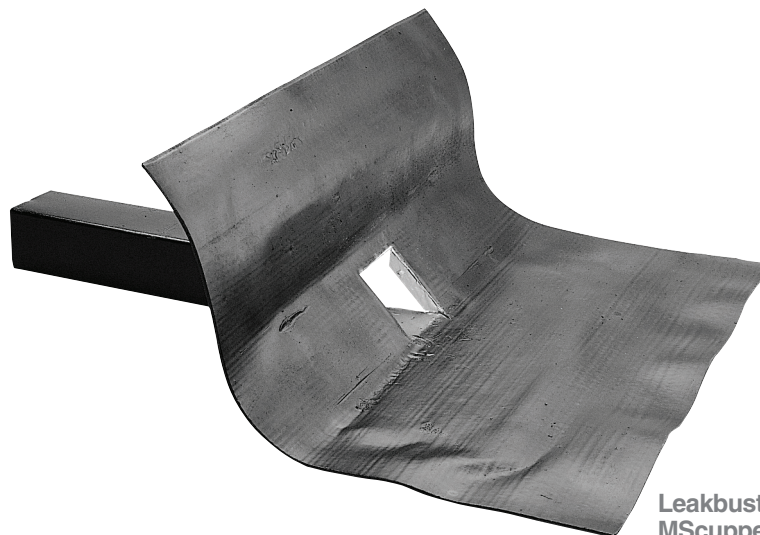
Advantages

- Eliminates the need for special metal work.
- No messy primer needed and no clean up.
- Preflashing process insures excellent material adhesion to metal, even in hard-to-reach places.
- Helps eliminate call backs and labor costs.
- Quick and easy installation helps eliminate production delays

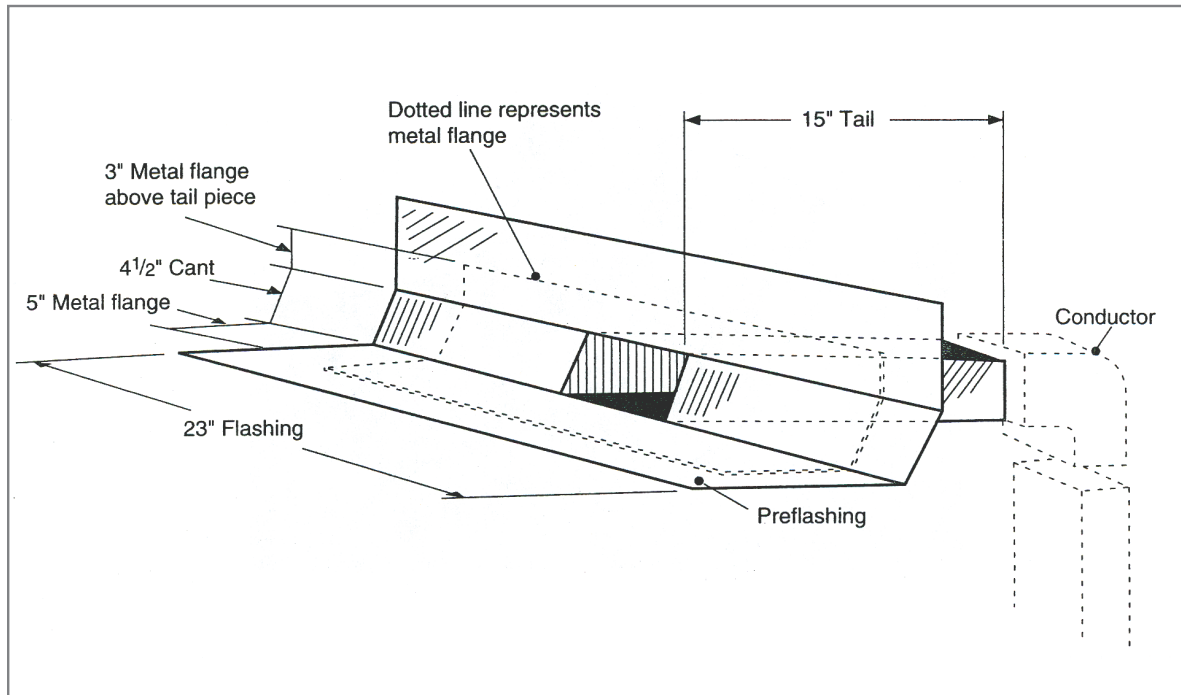
Technical Data

Scupper Material Available:

- 24 Gauge Galvanized Steel
- Flashing Material Available:
 - APP Smooth
 - SBS Smooth



Leakbuster™ Mweld
MScupper



Installation:

1. Install base sheet down parapet wall and onto deck as required by system manufacturer.
2. Cut through base sheet at drain hole and insert the long or tail end of the scupper through the hole until the flashing fits snugly against the wall and deck.
3. Check "tail" of scupper on outside of wall to be sure it is level or downsloping for proper drainage. Wood fill or insulation may be needed to immobilize the tail and insure proper scupper position.
- 4a. For APP installation:
 - Use MScupper with APP membrane flashing.
 - Heat both the base sheet and MScupper flashing until glossy sheen appears.
 - Insert "tail" through the wall and press scupper firmly in place.
 - While torching, work flashing in with a trowel to insure proper seating and bonding against base sheet.
- 4b. For hot asphalt installation or cold adhesive application:
 - Use SBS MScuppers with SBS membrane flashing.
 - Mop hot asphalt, or cold adhesive, around the drain hole.
 - Insert "tail" through the wall and press scupper firmly in place.
 - Work flashing in with a trowel to insure proper seating and bonding against base sheet.
5. MScuppers may be mechanically fastened to the substrate prior to installing the field sheet.
6. Cut a hole in the field membrane to match scupper drain size. Lay field membrane over scupper taking care to match the holes.
7. Install field sheet per manufacturer's specifications.

Note: Sufficient roof drainage is essential for good roof performance and to avoid overloading the roof under heavy rainfall conditions. Ensuring that the size and number of drains is adequate for the roof area and location is the responsibility of the building owner or their roofing consultant.