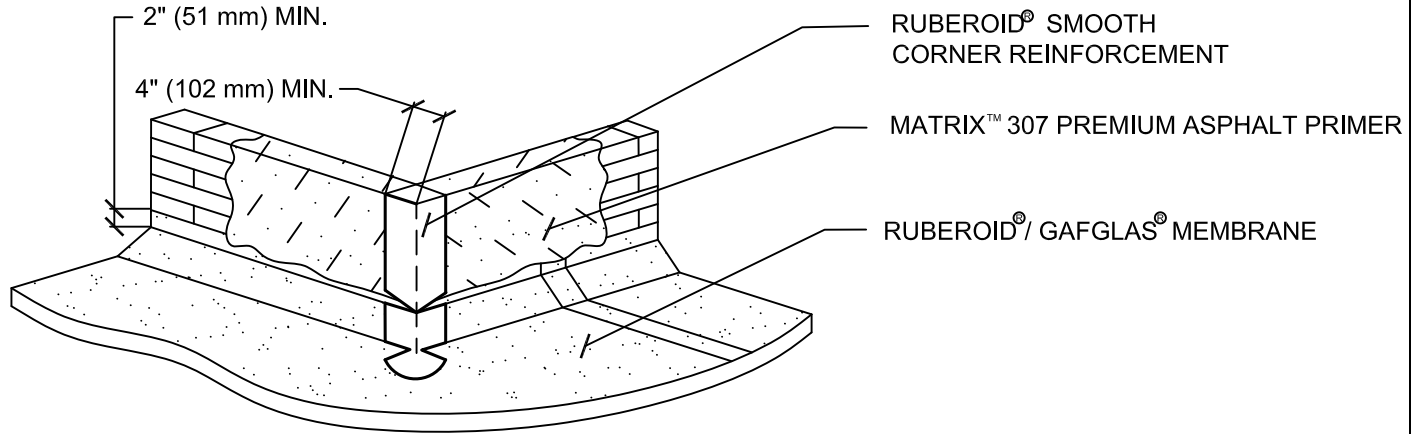
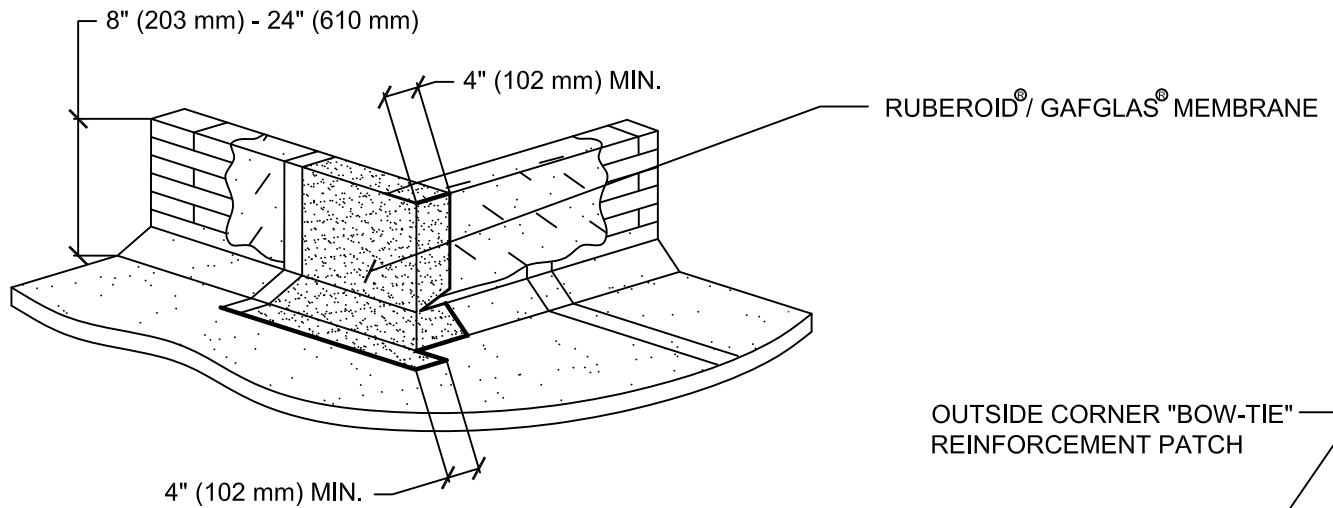


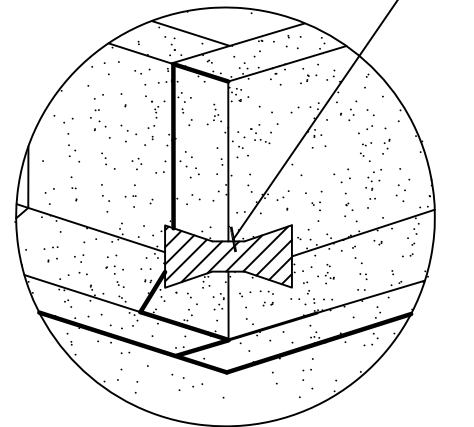
**STEP 1:**



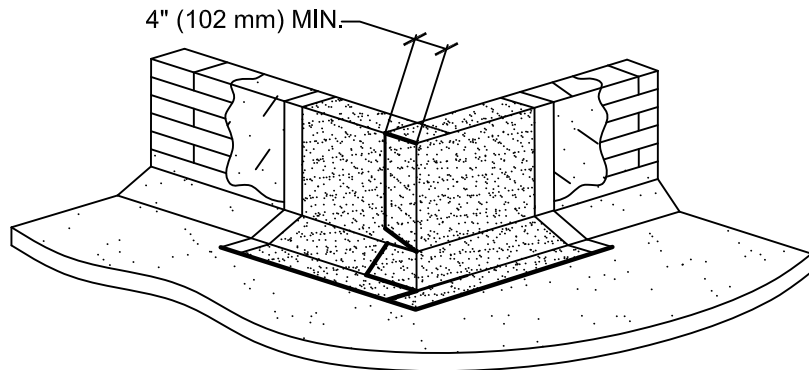
**STEP 2:**



OUTSIDE CORNER "BOW-TIE" REINFORCEMENT PATCH



**STEP 3:**



**OUTSIDE CORNER DETAIL**

DRAWING #

12

SYSTEM

MB/BUR

SCALE

N.T.S.

ISSUE/ REVISION DATE

7-01-14