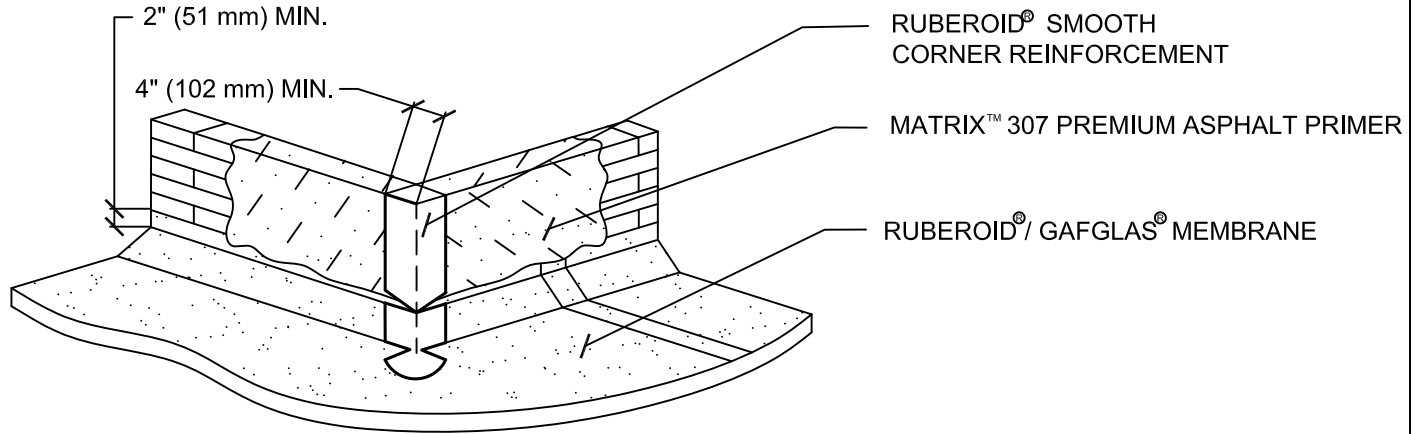
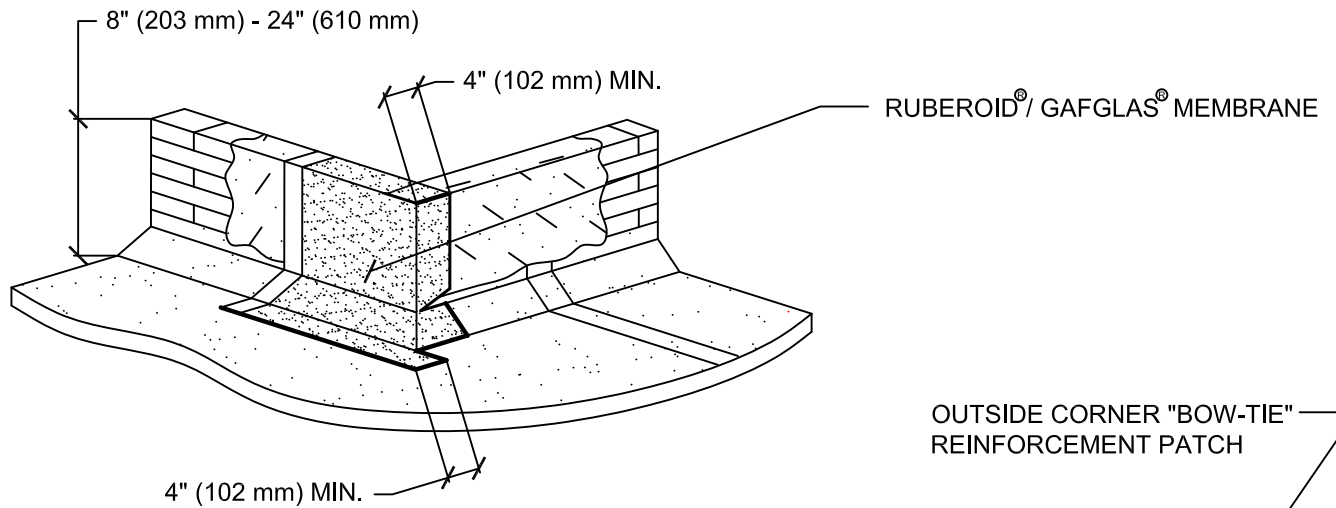


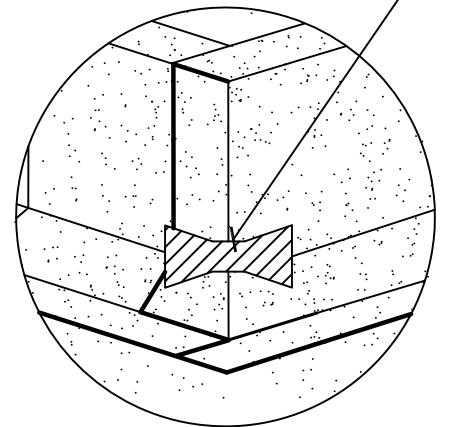
STEP 1:



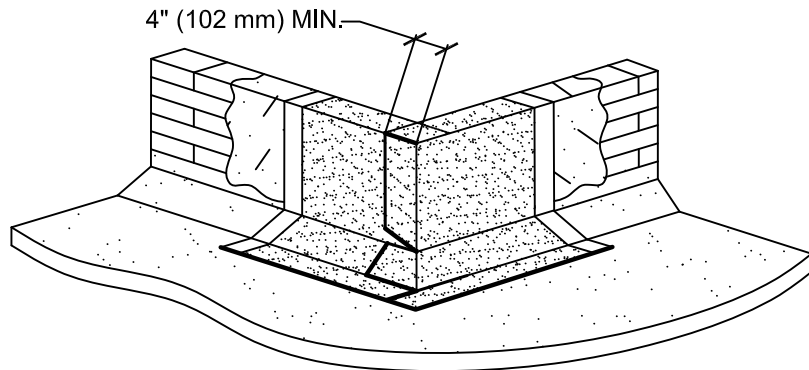
STEP 2:



OUTSIDE CORNER "BOW-TIE" REINFORCEMENT PATCH



STEP 3:



GAFGLAS[®]
Built-Up Roofing Systems
RUBEROID[®]
Modified Bitumen Roofing Systems

OUTSIDE CORNER DETAIL

DRAWING #

12

SYSTEM

MB/BUR

SCALE

N.T.S.

ISSUE/ REVISION DATE

7-01-14