



[DBPR HOME](#) | [ABOUT DBPR](#) | [DBPR DIVISIONS](#) | [CONTACT DBPR](#)

[BCIS Home](#) | [Log In](#) | [User Registration](#) | [Hot Topics](#) | [Submit Surcharge](#) | [Stats & Facts](#) | [Publications](#) | [Contact Us](#) | [BCIS Site Map](#) | [Links](#) | [Search](#)



Product Approval
USER: Public User

[Product Approval Menu](#) > [Product or Application Search](#) > [Application List](#) > **Application Detail**

▶ OFFICE OF THE SECRETARY

FL #	FL18449-R3
Application Type	Revision
Code Version	2020
Application Status	Approved
Comments	
Archived	<input type="checkbox"/>
Product Manufacturer	GAF/LL Building Products, Inc sub of GAF
Address/Phone/Email	1 Campus Drive Parsippany, NJ 07054 (800) 766-3411 mstieh@gaf.com
Authorized Signature	Michael Stieh mstieh@gaf.com
Technical Representative	Steve Boehling
Address/Phone/Email	295 McKoy Road Burgaw, NC 28425 sboehling@gaf.com
Quality Assurance Representative	
Address/Phone/Email	
Category	Roofing
Subcategory	Roofing Accessories that are an Integral Part of the Roofing System
Compliance Method	Evaluation Report from a Florida Registered Architect or a Licensed Florida Professional Engineer <input type="checkbox"/> Evaluation Report - Hardcopy Received
Florida Engineer or Architect Name who developed the Evaluation Report	Robert Nieminen
Florida License	PE-59166
Quality Assurance Entity	UL LLC
Quality Assurance Contract Expiration Date	03/23/2025
Validated By	John W. Knezevich, PE <input checked="" type="checkbox"/> Validation Checklist - Hardcopy Received
Certificate of Independence	FL18449 R3 COI 2020 01 COI NIEMINEN.pdf
Referenced Standard and Year (of Standard)	Standard TAS 100(A) Year 1995
Equivalence of Product Standards	
Certified By	
Sections from the Code	

Product Approval Method

Method 1 Option D

Date Submitted 09/21/2020
 Date Validated 09/26/2020
 Date Pending FBC Approval 10/02/2020
 Date Approved 12/15/2020

Summary of Products

FL #	Model, Number or Name	Description
18449.1	GAF Master Flow® Attic Ventilation Products	Galvanized steel, off-ridge, powered and static roof exhaust vents.
Limits of Use Approved for use in HVHZ: No Approved for use outside HVHZ: Yes Impact Resistant: N/A Design Pressure: N/A Other: Refer to ER Section 5 for Limits of Use.		Installation Instructions FL18449_R3_II_2020_09_18_FINAL_ER_LLBP_Ventilation_FL18449-R3.pdf Verified By: Robert Nieminen PE-59166 Created by Independent Third Party: Yes Evaluation Reports FL18449_R3_AE_2020_09_18_FINAL_ER_LLBP_Ventilation_FL18449-R3.pdf Created by Independent Third Party: Yes

[Back](#) [Next](#)

[Contact Us](#) :: 2601 Blair Stone Road, Tallahassee FL 32399 Phone: 850-487-1824

The State of Florida is an AA/EEO employer. [Copyright 2007-2013 State of Florida.](#) :: [Privacy Statement](#) :: [Accessibility Statement](#) :: [Refund Statement](#)

Under Florida law, email addresses are public records. If you do not want your e-mail address released in response to a public-records request, do not send electronic mail to this entity. Instead, contact the office by phone or by traditional mail. If you have any questions, please contact 850.487.1395. *Pursuant to Section 455.275(1), Florida Statutes, effective October 1, 2012, licensees licensed under Chapter 455, F.S. must provide the Department with an email address if they have one. The emails provided may be used for official communication with the licensee. However email addresses are public record. If you do not wish to supply a personal address, please provide the Department with an email address which can be made available to the public. To determine if you are a licensee under Chapter 455, F.S., please click [here](#).





NEMO|etc.

Certificate of Authorization #32455
353 Christian Street, Unit #13
Oxford, CT 06478
(203) 262-9245

ENGINEER

EVALUATE

TEST

CONSULT

EVALUATION REPORT

GAF/LL Building Products, Inc. subsidiary of GAF

1 Campus Drive
Parsippany, NJ 07054

Evaluation Report GAF-CT8575.08.15-R2

FL18449-R3

Date of Issuance: 08/28/2015

Revision 2: 09/18/2020

SCOPE:

This Evaluation Report is issued under **Rule 61G20-3** and the applicable rules and regulations governing the use of construction materials in the State of Florida. The documentation submitted has been reviewed by Robert Nieminen, P.E. for use of the product under the Florida Building Code. The products described herein have been evaluated for compliance with the **7th Edition (2020) Florida Building Code** sections referenced herein.

DESCRIPTION: GAF Master Flow® Attic Ventilation Products

LABELING: Labeling shall be in accordance with the requirements of the Accredited Quality Assurance Agency noted herein.

CONTINUED COMPLIANCE: This Evaluation Report is valid until such time as the named product(s) changes, the referenced Quality Assurance or production facility location(s) changes, or Code provisions that relate to the product(s) change. Acceptance of our Evaluation Reports by the named client constitutes agreement to notify NEMO ETC, LLC of any changes to the product(s), the Quality Assurance or the production facility location(s). NEMO ETC, LLC requires a complete review of its Evaluation Report relative to updated Code requirements with each Code Cycle.

ADVERTISEMENT: The Florida Product Approval Number (FL#) preceded by the words "NEMO|etc. Evaluated" may be displayed in advertising literature. If any portion of the Evaluation Report is displayed, then it shall be done in its entirety.

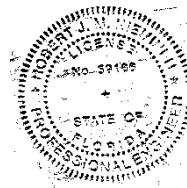
INSPECTION: Upon request, a copy of this entire Evaluation Report shall be provided to the user by the manufacturer or its distributors and shall be available for inspection at the job site at the request of the Building Official.

This Evaluation Report consists of pages 1 through 4.

Prepared by:

Robert J.M. Nieminen, P.E.

Florida Registration No. 59166, Florida DCA ANE1983



The facsimile seal appearing was authorized by Robert Nieminen, P.E. on 09/18/2020. This does not serve as an electronically signed document.

CERTIFICATION OF INDEPENDENCE:

1. NEMO ETC, LLC does not have, nor does it intend to acquire or will it acquire, a financial interest in any company manufacturing or distributing products it evaluates.
2. NEMO ETC, LLC is not owned, operated or controlled by any company manufacturing or distributing products it evaluates.
3. Robert Nieminen, P.E. does not have nor will acquire, a financial interest in any company manufacturing or distributing products for which the evaluation reports are being issued.
4. Robert Nieminen, P.E. does not have, nor will acquire, a financial interest in any other entity involved in the approval process of the product.
5. This is a building code evaluation. Neither NEMO ETC, LLC nor Robert Nieminen, P.E. are, in any way, the Designer of Record for any project on which this Evaluation Report, or previous versions thereof, is/was used for permitting or design guidance unless retained specifically for that purpose.

ROOFING COMPONENT EVALUATION:

1. SCOPE:

Product Category: Roofing
Sub-Category: Roofing Accessories that are an Integral Part of the Roofing System
Compliance Statement: **GAF Master Flow® Attic Ventilation Products**, as produced by **GAF**, have demonstrated compliance with the following sections of the **7th Edition (2020) Florida Building Code**. Compliance is subject to the Installation Requirements and Limitations / Conditions of Use set forth herein.

2. CODE SECTIONS:

Section	Property	Standard	Year
1523.6.5.2.13	Wind Driven Rain	TAS 100(A)	1995

3. REFERENCES:

Entity	Examination	Reference	Date
PRI (TST 5878)	Wind Driven Rain	LLB-027-02-01	01/23/2015
PRI (TST 5878)	Wind Driven Rain	LLB-027-02-01 (extension)	01/28/2016
UL LLC (QUA9625)	Quality Control	Service Confirmation	05/21/2019
UL LLC (QUA9625)	Quality Control	Florida BCIS	Current

4. PRODUCT DESCRIPTION:

	Product	Plant(s)	Description	Published NFVA ¹
4.1	Master Flow® Power Attic Vent ERV4 – Roof Mount	Burgaw, NC	Off-ridge, powered mechanical roof exhaust vent with a 0.020-inch thick galvanized steel base and hood (Section 10, Figure 1) and a 1/12 horsepower motor	1,000 cubic feet per minute airflow
4.2	Master Flow® Power Attic Vent ERV5 – Roof Mount	Burgaw, NC	Off-ridge, powered mechanical roof exhaust vent with a 0.020-inch thick galvanized steel base and hood (Section 10, Figure 1) and a 1/12 horsepower motor	1,250 cubic feet per minute airflow
4.3	Master Flow® Power Attic Vent ERV6 – Roof Mount	Burgaw, NC	Off-ridge, powered mechanical roof exhaust vent with a 0.020-inch thick galvanized steel base and hood (Section 10, Figure 1) and a 1/5 horsepower motor	1,500 cubic feet per minute airflow
4.4	Master Flow® High Capacity Dome Vent – HCD144	Burgaw, NC	Off-ridge, static roof exhaust vent with a 0.020-inch thick galvanized steel base and hood (Section 10, Figure 1)	144 in ²

5. LIMITATIONS:

- 5.1 This is a building code evaluation. Neither NEMO ETC, LLC nor Robert Nieminen, P.E. are, in any way, the Designer of Record for any project on which this Evaluation Report, or previous versions thereof, is/was used for permitting or design guidance unless retained specifically for that purpose.
- 5.2 This Evaluation Report is not for use in FBC High Velocity Hurricane Zone jurisdictions (i.e., Broward and Miami-Dade Counties).
- 5.3 This Evaluation Report pertains to above-deck roof components. Roof decks and structural members shall be in accordance with FBC requirements to the satisfaction of the Authority Having Jurisdiction.
- 5.4 The minimum slope is 2:12.

¹ Net Free Ventilation Area reported herein is as published by the manufacturer at the time of evaluation. The report user should verify current published data at the time of design and/or permitting to the satisfaction of the Authority Having Jurisdiction.

5.5 **Wind Classification:**

5.5.1 When installed in accordance with GAF standard attachment procedures, installation is limited to maximum 33 ft mean roof height in Exposure B or C conditions. Refer to FBC 1609 or FBCR Chapter 3 for design wind speeds and exposure categories.

5.6 **GAF Master Flow® Attic Ventilation Products** are for use with asphalt-composition shingle roofs only.

5.7 Installation shall result in minimum net free ventilation area requirements set forth in **FBC 1203.2**.

6. INSTALLATION:

6.1 **GAF Master Flow® Attic Ventilation Products** shall be installed in accordance with **GAF** published installation instructions subject to the Limitations set forth in Section 5 herein and the specifics noted below.

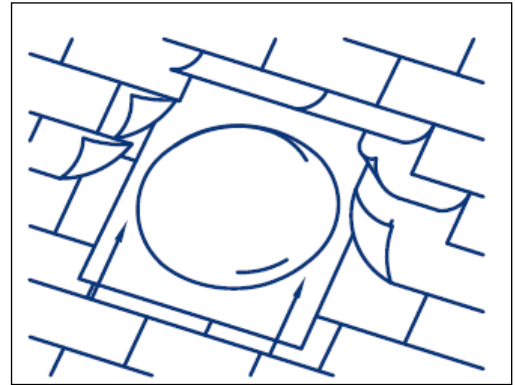
6.1.1 The specifics herein pertain to attachment of the vent to the roof deck, as tested, to meet wind load requirements at mean roof height less than or equal to 33 ft. Refer to published installation requirements for other important aspects of the installation.

**6.2 Master Flow® Power Attic Vent – Roof Mount ERV4, ERV5 or ERV6
Master Flow® High Capacity Dome Vent:**

6.2.1 After locating, marking, cutting and preparing the opening in accordance with **GAF** published requirements, apply ASTM C920 sealant to the underside of the vent’s base unit as follows:

- ✓ One ½-inch wide bead around the inner perimeter, located ¾-inch from the circular throat.
- ✓ One ½-inch wide bead around the outer perimeter, located ¾-inch from the outside edges.

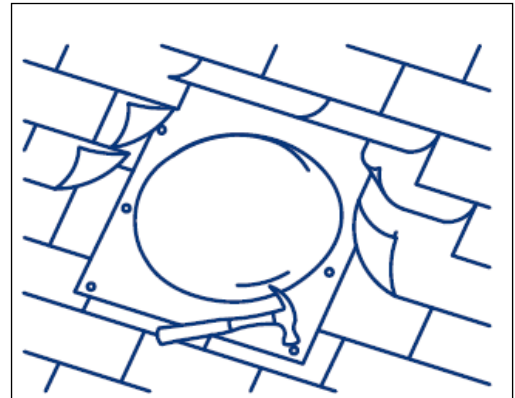
Slide the vent up under the top shingles, with the arrow on the flashing pointing up-slope. Leave the lower portion of the vent flashing on top of the shingles.



6.2.2 Fasten the base flange to the min. 15/32-inch thick APA span rated plywood roof deck using twenty (20) minimum 12 ga, min. 1.5-inch long corrosion resistant roofing nails as follows:

- ✓ 1-inch from the base edge, at all four corners and 5.75-inch o.c. at the perimeter.
- ✓ 1-inch from the base unit throat at 90° around the circular opening.

Finish by sealing exposed nail heads and sealing-down any raised shingles at the top half of the flange using the roofing cement or urethane sealant noted above.



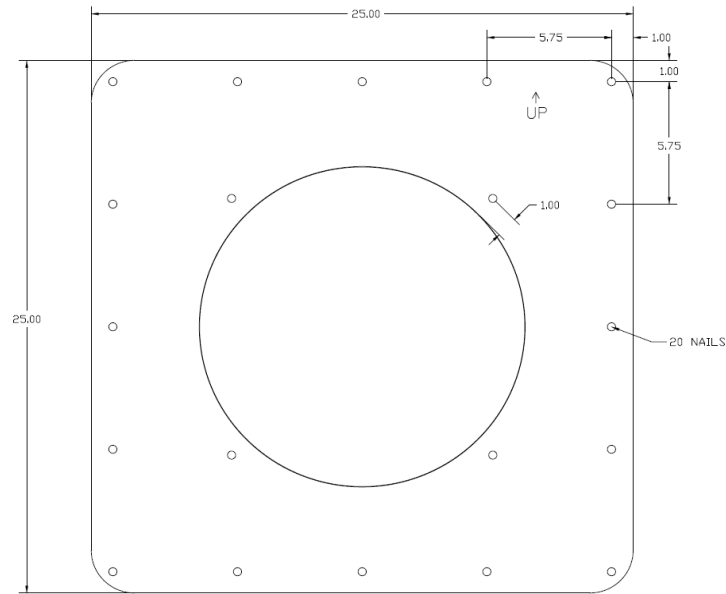


Figure 1: Nailing Schedule

7. BUILDING PERMIT REQUIREMENTS:

As required by the Building Official or Authority Having Jurisdiction in order to properly evaluate the installation of this product.

8. MANUFACTURING PLANTS:

Burgaw, NC

9. QUALITY ASSURANCE ENTITY:

UL, LLC – QUA9625; (847) 664-3281.

10. DRAWINGS:

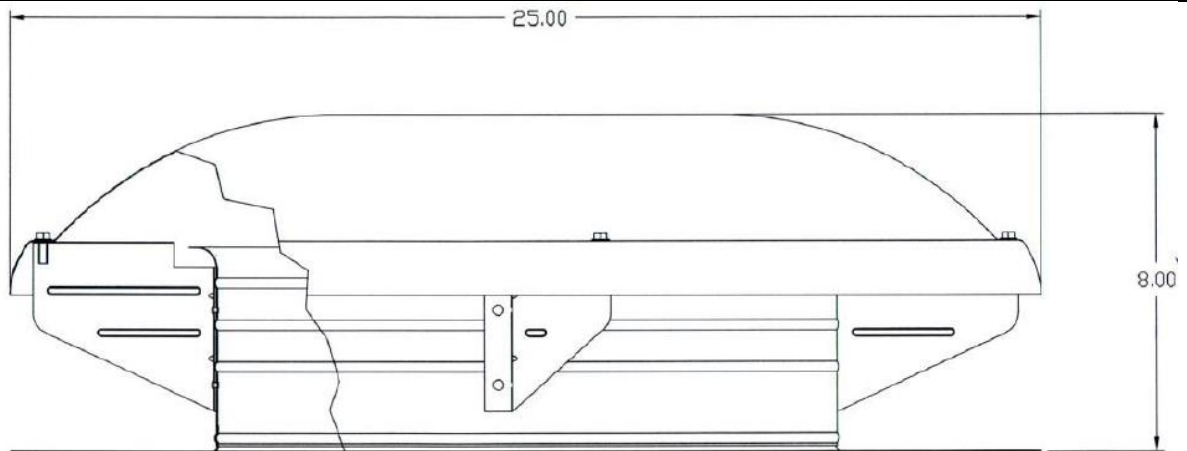


Figure 2: Master Flow® Power Attic Vent – Roof Mount ERV4, ERV5 or ERV6
Master Flow® High Capacity Dome Vent – HCD144

- END OF EVALUATION REPORT -