



Quality You Can
Trust... From
North America's
Largest Roofing
Manufacturer!™

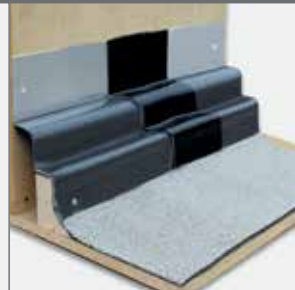
Version 1.0

RUBEROID® / GAFGLAS®

FLASHING DETAILS

Application & Specifications Manual

gaf.com



Welcome

Thank you for consulting Version 1.0 of the RUBEROID®/GAFGLAS® Roof Flashing Details Manual. You can find further information at gaf.com, or contact GAF Technical Services at 1-800-ROOF-411 (1-800-766-3411). This manual corresponds with the following manuals:

- RUBEROID® SBS Cold-Adhesive Applied Roofing Systems Application & Specifications Manual
- RUBEROID® SBS Hot-Mopped Roofing Systems Application & Specifications Manual
- RUBEROID® SBS Heat-Welded Roofing Systems Application & Specifications Manual
- RUBEROID® APP Torch-Applied Roofing Systems Application & Specifications Manual
- Liberty™ SBS Self-Adhered Roofing Systems Application & Specifications Manual
- GAFGLAS® Built-Up Roofing Systems Application & Specifications Manual

WHO IS GAF?

Founded in 1886, GAF has grown to become North America's largest manufacturer of commercial and residential roofing. Professional roofing contractors have long preferred the rugged, dependable performance that only a GAF roof can offer, and have made it the #1-selling brand in North America. Our success in growing the company to nearly \$3 billion in sales has been based on our unique philosophy of helping our customers.

For roofing contractors and distributors:

- Helping to build your business and avoid hassles

For property owners & architects:

- Helping to ensure your best and safest choice in roofing

WHAT ARE OUR PRODUCTS AND SERVICES?

No one offers a wider range of reliable, proven, cost-effective roofing solutions:

COMMERCIAL PRODUCTS

- EverGuard Extreme® TPO Single-Ply Roofing Systems
- EverGuard® TPO and PVC Single-Ply Roofing Systems
- EverGuard® Freedom™ TPO Self-Adhering Roofing Systems
- RUBEROID® SBS and APP Modified Bitumen Roofing Systems
- RoofMatch™ SBS and APP Membranes in select colors
- Liberty™ SBS Self-Adhering Modified Bitumen Roofing Systems
- GAFGLAS® Fiberglass Built-Up Roofing Systems
- TOPCOAT® Liquid-Applied Roofing Systems
- GardenScapes™ Roofing... Hassle-free Garden Roofing System

RESIDENTIAL PRODUCTS

- Lifetime Designer Shingles... Camelot®, Camelot II®, Slateline®, Grand Canyon®, Grand Sequoia®, Grand Sequoia® IR, Sienna®, Woodland®, and Monaco® Shingles
- Timberline® Lifetime Shingles... Timberline Ultra HD®, Timberline HD®, Timberline® Natural Shadow®, Timberline® American Harvest®, Timberline® Cool Series, and Timberline® ArmorShield™ II Shingles
- 3-Tab Shingles... Marquis WeatherMax® and Royal Sovereign® Shingles
- TruSlate® Roofing... affordable Genuine Slate Roofing System

ACCESSORY PRODUCTS

- We offer an extensive line of accessory products for our roof systems, including: EverGuard® TPO and PVC Prefabricated Accessories; Single-Ply Adhesives, Primers & Sealants; Matrix™ Adhesives and Cements; EnergyGuard™ Insulations; Drill-Tec™ Fasteners; M-Weld™ Preflashed Accessories; Metalastic® Expansion Joint Covers; Lexsuco® Roof System Accessories; Cobra® and Master Flow® Ventilation Products; Timbertex® Premium Ridge Cap Shingles; WeatherWatch® and StormGuard® Leak Barriers; and Shingle-Mate® and Deck-Armor™ Roof Deck Protection.

SERVICES

- Every GAF roofing product benefits from the substantial resources available only from a multibillion-dollar corporation dedicated to roofing. Our 31 plants mean manufacturing expertise. Our extensive R&D organization means a constant focus on product and process improvement. GAF is a team of over 3,000 people dedicated to your roofing satisfaction.
- GAF has a network of sales representatives and distributors to supply and service its quality roofing systems throughout North America.
- Our Technical Helpline is a technical assistance service that allows you to contact us directly to speak with a technical representative about specifications, applications, code approvals, and product information. The Technical Helpline number is 1-800-ROOF-411 (1-800-766-3411).
- Architectural Information Services (AIS) is a specification service that allows you to specify your exact roofing needs and will send you a general specification that outlines your job summary, application method, product description, and detail drawings. The phone number for AIS is 1-800-522-9224.
- Our Tapered Design Group (TDG) is one of the many services available to our customers to help reduce their hassles. We provide tapered insulation take-offs for architects, contractors, and distributors nationwide. Just send your roof plans and specifications to tdg@gaf.com. The phone number for TDG is 1-800-766-3411.
- Visit GAF on the web at gaf.com for extensive product information, specifications, and technical literature.

A FEW THINGS TO CONSIDER...

- This Manual contains the latest information relating to the application of GAF's modified bitumen and built-up roofing systems and is based on our years of experience in the commercial roofing field. It has been prepared as a general guide to assist architects, engineers, roofing contractors, and owners in the use of our roofing systems.
- GAF manufactures and sells roofing materials and does NOT practice architecture or engineering. GAF is NOT responsible for the performance of its products when damage to its products is caused by such things as improper building design, construction flaws, or defects in workmanship.
- The design responsibility remains with the architect, engineer, roofing contractor, or owner, and construction details illustrated and described herein are furnished solely for guidance purposes. These guidelines should not be construed as being all-inclusive, nor should they be considered as a substitute for good application practices.
- Under no circumstances does GAF have any liability for expenses arising out of or associated with the pre-existing presence of asbestos-containing materials or any other allegedly hazardous substances or materials upon the roof to which the new GAF roofing materials are being applied.
- Information contained in this Manual is presented in good faith and, to the best of GAF's knowledge, does not infringe upon any patents, foreign or domestic.
- As a part of its continuing efforts to improve the performance of its products, GAF periodically makes changes to its products and application specifications. The Company reserves the right to change or modify, at its discretion, any of the information, requirements, specifications, or policies contained herein. This Manual supersedes all catalogs and previous manuals.
- GAF is Your Best Choice!

Flashing Details

This Manual contains the following:

	Page
GAF SYSTEM CONFIGURATIONS-BASE FLASHINGS.....	6
<u>WALL/CURB FLASHING SPECIFICATIONS PLATES:</u>	
1X ONE (1) PLY BASED FLASHING (NON-COMBUSTIBLE WALL) SUBSTRATE	13
2X TWO (2) PLY BASED FLASHING (NON-COMBUSTIBLE WALL) SUBSTRATE.....	14
3X THREE (3) PLY BASED FLASHING (NON-COMBUSTIBLE WALL) SUBSTRATE	14
2W TWO (2) PLY BASED FLASHING (COMBUSTIBLE WALL) SUBSTRATE	15
3W THREE (3) PLY BASED FLASHING (COMBUSTIBLE WALL) SUBSTRATE.....	15
<u>FLASHING DETAIL PLATES:</u>	
MB 1/BUR 1 FLAT-EDGE FLASHING DETAIL	16
MB 2/BUR 2 TAPERED-EDGE FLASHING DETAIL	17
MB 3/BUR 3 WALL FLASHING DETAIL FOR WALL-SUPPORTED DECK.....	18
MB 4/BUR 4 BASE FLASHING FOR NON-WALL-SUPPORTED DECK.....	19
MB 5/BUR WALL FLASHING DETAIL WITH SURFACE-MOUNTED COUNTERFLASHING	20
MB 6/BUR 6 HIGH PARAPET WALL DETAIL.....	21
MB 7/BUR 7 ALTERNATE HIGH PARAPET WALL DETAIL.....	22
MB 8/BUR 8 ROOF DRAIN DETAIL	23
MB 9/BUR 9 M-DRAIN™ FLASHING DETAIL.....	24
MB 10/BUR 10 EQUIPMENT BASE FLASHING DETAIL	25
MB 11/BUR 11 INSIDE CORNER FLASHING DETAIL FOR 1X.....	26
MB 12/BUR 12 OUTSIDE CORNER FLASHING DETAIL FOR 1X.....	27
MB 13/BUR 13 CURB FLASHING/AREA DIVIDER DETAIL.....	28
MB 14/BUR 14 EXPANSION JOINT FLASHING DETAIL.....	29
MB 15/BUR 15 VENT STACK FLASHING DETAIL.....	30
MB 16/BUR 16 M-VENT™ FLASHING DETAIL.....	31
MB 17/BUR 17 M-WELD® PRE-FLASHED LEAD FLASHING DETAIL	32
MB 18/BUR 18 PITCH PAN FLASHING DETAIL	33
MB 19/BUR 19 M-CURB™ FLASHING DETAIL.....	34
MB 20/BUR 20 RAISED PERIMETER EDGE DETAIL WITH METAL CAP-FASCIA FLASHING	35

	Page
MB 21/BUR 21	SCUPPER THROUGH ROOF EDGE DETAIL36
MB 22/BUR 22	GRAVELGUARD MB™ FLASHING DETAIL.....37
MB 23/BUR 23	ONE-WAY M-VENT™ FLASHING DETAIL38
MB 24/BUR 24	SCUPPER FLASHING DETAIL39
MB 25/BUR 25	M-SCUPPER™ FLASHING DETAIL40
MB 26/BUR 26	ADJUSTABLE M-VENT™ FLASHING DETAIL41
MB 27/BUR 27	LOW-SLOPE ROOF/SHINGLE TIE-IN DETAIL.....42
MB 28/BUR 28	PERIMETER GUTTER DETAIL43
MB 29/BUR 29	ALTERNATE ROOF PENETRATION FLASHING DETAIL.....44
MB 30/BUR 30	ALTERNATE ROOF PENETRATION FLASHING DETAIL WITH GALVANIZED METAL JACK.....45
MB 31/BUR 31	PIPING THROUGH ROOF DECK DETAIL46
MB 32/BUR 32	EQUIPMENT OR SIGN SUPPORT DETAIL47
MB 33/BUR 33	MECHANICAL EQUIPMENT STAND DETAIL48
MB 34/BUR 34	GAFGLAS® STRATAVENT® NAILABLE VENTING DETAIL, NEW ROOFING – NAILABLE DECK.....49
MB 35/BUR 35	GAFGLAS® STRATAVENT® PERFORATED VENTING DETAIL, NEW ROOFING – NON-NAILABLE DECK50
MB 36/BUR 36	GAFGLAS® STRATAVENT® PERFORATED VENTING DETAIL, RE-COVER WITHOUT NEW INSULATION51
MB 37/BUR 37	GAFGLAS® STRATAVENT® PERFORATED VENTING DETAIL, RE-COVER WITH NEW INSULATION.....52
LIB 2	LIBERTY™ SBS SELF-ADHERING MEMBRANE FLAT-EDGE FLASHING DETAIL53
LIB 3	LIBERTY™ SBS SELF-ADHERING MEMBRANE WALL FLASHING DETAIL FOR WALL SUPPORTED DECK54
LIB 9	LIBERTY™ SBS SELF-ADHERING MEMBRANE ROOF DRAIN.....55
LIB 10	LIBERTY™ SBS SELF-ADHERING MEMBRANE EQUIPMENT BASE FLASHING DETAIL.....56
LIB 15	LIBERTY™ SBS SELF-ADHERING MEMBRANE VENT STACK FLASHING DETAIL....57
LEX 1	LEXSUCO® FLASHING WALL DETAIL FOR GRAVEL-SURFACED ROOFS58
LEX 2	LEXSUCO® FLASHING WALL DETAIL FOR MINERAL-SURFACED ROOFS59

NOTES

GAF SYSTEM CONFIGURATIONS — BASE FLASHINGS

SAFETY:

Refer to appropriate membrane Installation Requirement, Part 1.06, for flashing membrane system being installed. **DO NOT BEGIN FLASHING INSTALLATION UNTIL THIS INFORMATION IS READ, UNDERSTOOD, AND IMPLEMENTED.**

NOTE:

For application instructions, refer to Installation Requirement, Part 9, for flashing membrane system being installed.

10-YR DIAMOND PLEDGE™ AND SYSTEM PLEDGE™ GUARANTEE SPECIFICATIONS

WALL/CURB CONSTRUCTION	SEE SPEC PLATE #	NO. PLIES	SPEC.#	BOTTOM SHEET ATTACHMENT	FIRST PLY	SECOND PLY	THIRD PLY	SURFACING
NONCOMBUSTIBLE	2X	2	2X20/30	MOP or ADHESIVE	20 SMOOTH	30 GRANULE		
	2X	2	2X20/30FREC	MOP or ADHESIVE	20 SMOOTH	ENERGYCAP™ 30 PLUS GRANULE FR		
	1X	1	1XT	TORCH	TORCH SMOOTH			
	2X	2	2XBT	MOP	#75 BASE SHEET	TORCH SMOOTH		
				MOP	#80 ULTIMA™ BASE SHEET	TORCH SMOOTH		
COMBUSTIBLE	3W	3	3WB20/30	NAIL	#75 BASE SHEET	20 SMOOTH	30 GRANULE	
				NAIL	#80 ULTIMA™ BASE SHEET	20 SMOOTH	30 GRANULE	

10-12-YR DIAMOND PLEDGE™ AND SYSTEM PLEDGE™ GUARANTEE SPECIFICATIONS

WALL/CURB CONSTRUCTION	SEE SPEC PLATE #	NO. PLIES	SPEC.#	BOTTOM SHEET ATTACHMENT	FIRST PLY	SECOND PLY	THIRD PLY	SURFACING
NONCOMBUSTIBLE	1X	1	1XM	MOP or ADHESIVE	MOP GRANULE			
				MOP or ADHESIVE	MOP GRANULE FR			
	2X	2	2X20C (West Zone Only)	MOP	20 SMOOTH	GAFGLAS® MIN. SUF. CAP		
				MOP	20 SMOOTH	ENERGYCAP™ MIN. SUF. CAP		
	1X	1	1XH	TORCH	HW GRANULE FR			
				TORCH	HW GRANULE			
	1X	1	1XT	TORCH	TORCH SMOOTH			COATING
				TORCH	TORCH GRANULE			
				TORCH	ENERGYCAP™ TORCH GRANULE FR			
	2X	2	2XBT	MOP	#75 BASE SHEET	TORCH SMOOTH		COATING
					#80 ULTIMA™ BASE SHEET	TORCH SMOOTH		COATING

10-12-YR DIAMOND PLEDGE™ AND SYSTEM PLEDGE™ GUARANTEE SPECIFICATIONS (Continued)

WALL/CURB CONSTRUCTION	SEE SPEC	NO.	BOTTOM SHEET	FIRST PLY	SECOND PLY	THIRD PLY	SURFACING
NON COMBUSTIBLE	PLATE # 2X	PLIES 2	ATTACHMENT MOP or ADHESIVE	FLEXPPLY™ 6	GAFGLAS® FLASHING		
	2X	2	MOP or ADHESIVE	PLY 4	GAFGLAS® FLASHING		
	2X	2	MOP or ADHESIVE (West Zone Only)	FLEXPPLY™ 6 FLEXPPLY™ 6	GAFGLAS® MIN. SUF. CAP ENERGYCAP™ MIN. SUF. CAP		
	2X	2	MOP or ADHESIVE (West Zone Only)	PLY 4 PLY 4	GAFGLAS® MIN. SUF. CAP ENERGYCAP™ MIN. SUF. CAP		
COMBUSTIBLE	2W	2	NAIL NAIL	20 SMOOTH 20 SMOOTH	GAFGLAS® MIN. SUF. CAP ENERGYCAP™ MIN. SUF. CAP		
	2W	2	NAIL NAIL	#75 BASE SHEET #80 ULTIMA™ BASE SHEET	TORCH SMOOTH TORCH SMOOTH		COATING COATING
	2W	2	NAIL NAIL	#75 BASE SHEET #80 ULTIMA™ BASE SHEET	GAFGLAS® FLASHING GAFGLAS® FLASHING		
	2W	2	NAIL NAIL	#75 BASE SHEET #80 ULTIMA™ BASE SHEET	GAFGLAS® MIN. SUF. CAP GAFGLAS® MIN. SUF. CAP		
	2W	2	SELF-ADHERED	LIBERTY™ SA BASE/PLY SHEET	LIBERTY™ SA CAP SHEET		

10-15-YR DIAMOND PLEDGE™ AND SYSTEM PLEDGE™ GUARANTEE SPECIFICATIONS

WALL/CURB CONSTRUCTION	SEE SPEC	NO.	BOTTOM SHEET	FIRST PLY	SECOND PLY	THIRD PLY	SURFACING
NONCOMBUSTIBLE	PLATE # 2X	PLIES 2	ATTACHMENT MOP or ADHESIVE	#75 BASE SHEET	MOP GRANULE FR		
	2X	2	MOP or ADHESIVE	#80 ULTIMA™ BASE SHEET	MOP GRANULE FR		
	3X	3	MOP or ADHESIVE	#75 BASE SHEET #80 ULTIMA™ BASE SHEET	MOP GRANULE MOP GRANULE		
	2X	2	MOP MOP MOP	#75 BASE SHEET #80 ULTIMA™ BASE SHEET #75 BASE SHEET #80 ULTIMA™ BASE SHEET	MOP GRANULE FR MOP GRANULE FR HW GRANULE FR HW GRANULE FR		

10-15-YR DIAMOND PLEDGE™ AND SYSTEM PLEDGE™ GUARANTEE SPECIFICATIONS (Continued)

WALL/CURB CONSTRUCTION	SEE SPEC PLATE #	NO. PILES	SPEC #	BOTTOM SHEET ATTACHMENT	FIRST PLY	SECOND PLY	THIRD PLY	SURFACING
NONCOMBUSTIBLE	2X	2	2XSAH	SELF-ADHERED SELF-ADHERED	LIBERTY™ SA BASE/PLY SHEET LIBERTY™ SA BASE/PLY SHEET	HW GRANULE FR HW GRANULE		
	3X	3	3X44H	MOP or ADHESIVE MOP or ADHESIVE	PLY 4 PLY 4	PLY 4 PLY 4	HW GRANULE FR HW GRANULE	
	3X	3	3X6/20C (West Zone Only)	MOP	FLEXPPLY™ 6	20 SMOOTH	GAFGLAS® MIN. SUF. CAP	
	2X	2	2XBT	MOP MOP MOP MOP	#75 BASE SHEET #80 ULTIMA™ BASE SHEET #75 BASE SHEET #80 ULTIMA™ BASE SHEET	TORCH GRANULE TORCH GRANULE ENERGYCAP™ TORCH PLUS FR ENERGYCAP™ TORCH PLUS FR	ENERGYCAP™ MIN. SUF. CAP	
	2X	2	2XSAT	SELF-ADHERED SELF-ADHERED	LIBERTY™ SA BASE/PLY SHEET LIBERTY™ SA BASE/PLY SHEET	TORCH GRANULE ENERGYCAP™ TORCH PLUS FR		
	3X	3	3X44T	MOP	PLY 4	PLY 4	TORCH GRANULE	
COMBUSTIBLE	2W	2	2WBM	NAIL NAIL NAIL NAIL	#75 BASE SHEET #80 ULTIMA™ BASE SHEET #75 BASE SHEET #80 ULTIMA™ BASE SHEET	MOP GRANULE FR MOP GRANULE FR MOP GRANULE MOP GRANULE		
	3W	3	3WB4M	NAIL NAIL NAIL NAIL	#75 BASE SHEET #80 ULTIMA™ BASE SHEET #75 BASE SHEET #80 ULTIMA™ BASE SHEET	PLY 4 PLY 4 PLY 4 PLY 4	MOP GRANULE FR MOP GRANULE FR MOP GRANULE MOP GRANULE	
	3W	3	3WB20C (West Zone Only)	NAIL NAIL NAIL NAIL	#75 BASE SHEET #80 ULTIMA™ BASE SHEET #75 BASE SHEET #80 ULTIMA™ BASE SHEET	20 SMOOTH 20 SMOOTH 20 SMOOTH 20 SMOOTH	GAFGLAS® MIN. SUF. CAP GAFGLAS® MIN. SUF. CAP ENERGYCAP™ MIN. SUF. CAP ENERGYCAP™ MIN. SUF. CAP	
	2W	2	2WBH	NAIL NAIL NAIL NAIL	#75 BASE SHEET #80 ULTIMA™ BASE SHEET #75 BASE SHEET #80 ULTIMA™ BASE SHEET	HW GRANULE FR HW GRANULE FR HW GRANULE HW GRANULE		

10-15-YR DIAMOND PLEDGE™ AND SYSTEM PLEDGE™ GUARANTEE SPECIFICATIONS (Continued)

WALL/CURB CONSTRUCTION	SEE SPEC	NO.	BOTTOM SHEET	FIRST PLY	SECOND PLY	THIRD PLY	SURFACING
COMBUSTIBLE	PLATE # 3W	PLIES 3	ATTACHMENT NAIL NAIL NAIL NAIL	#75 BASE SHEET #80 ULTIMA™ BASE SHEET #75 BASE SHEET #80 ULTIMA™ BASE SHEET	PLY 4 PLY 4 PLY 4 PLY 4	HW GRANULE FR HW GRANULE FR HW GRANULE HW GRANULE	
	2W	2	NAIL NAIL NAIL	#75 BASE SHEET #80 ULTIMA™ BASE SHEET #75 BASE SHEET	TORCH GRANULE TORCH GRANULE ENERGYCAP™ TORCH PLUS GRANULE FR ENERGYCAP™ TORCH PLUS GRANULE FR		COATING
	3W	3	NAIL NAIL NAIL	#75 BASE SHEET #80 ULTIMA™ BASE SHEET #75 BASE SHEET	PLY 4 PLY 4 PLY 4	TORCH GRANULE TORCH GRANULE ENERGYCAP™ TORCH PLUS GRANULE FR ENERGYCAP™ TORCH PLUS GRANULE FR	

10-20-YR DIAMOND PLEDGE™ AND SYSTEM PLEDGE™ GUARANTEE SPECIFICATIONS

WALL/CURB CONSTRUCTION	SEE SPEC	NO.	BOTTOM SHEET	FIRST PLY	SECOND PLY	THIRD PLY	SURFACING
NONCOMBUSTIBLE	PLATE # 2X	PLIES 2	ATTACHMENT MOP or ADHESIVE MOP or ADHESIVE MOP or ADHESIVE MOP or ADHESIVE	20 SMOOTH 20 SMOOTH 20 SMOOTH 20 SMOOTH	MOP PLUS GRANULE FR MOP PLUS GRANULE MOP GRANULE FR MOP GRANULE		
	2X	2	MOP or ADHESIVE MOP or ADHESIVE MOP or ADHESIVE MOP or ADHESIVE	MOP SMOOTH MOP SMOOTH MOP SMOOTH MOP SMOOTH	MOP PLUS GRANULE FR MOP PLUS GRANULE MOP GRANULE MOP GRANULE		
	2X	2	MOP	MOP SMOOTH	ULTRACLAD™ SBS		
	2X	2	MOP	20 SMOOTH	ULTRACLAD™ SBS		
	3X	3	MOP or ADHESIVE MOP or ADHESIVE MOP or ADHESIVE	FLEXPPLY™ 6 FLEXPPLY™ 6 FLEXPPLY™ 6	FLEXPPLY™ 6 FLEXPPLY™ 6 FLEXPPLY™ 6	MOP PLUS GRANULE FR MOP GRANULE FR MOP GRANULE	
	3X	3	MOP	FLEXPPLY™ 6	MOP SMOOTH	GAFGLAS® MIN. SUF. CAP	
	2X	2	TORCH TORCH TORCH TORCH	HW 25 SMOOTH HW 25 SMOOTH HW 25 SMOOTH HW 25 SMOOTH	HW PLUS FR HW PLUS HW GRANULE FR HW GRANULE ENERGYCAP™ HW PLUS GRANULE FR		

10-20-YR DIAMOND PLEDGE™ AND SYSTEM PLEDGE™ GUARANTEE SPECIFICATIONS (Continued)									
WALL/CURB CONSTRUCTION	SEE SPEC PLATE #	PLIES	SPEC.#	BOTTOM SHEET ATTACHMENT	FIRST PLY	SECOND PLY	THIRD PLY	SURFACING	
NONCOMBUSTIBLE	2X	2	2XHH	TORCH	HW SMOOTH	HW PLUS GRANULE FR			
	2X	2	2XSAHP	SELF-ADHERED	LIBERTY™ SA BASE/PLY SHEET LIBERTY™ SA BASE/PLY SHEET LIBERTY™ SA BASE/PLY SHEET	HW PLUS GRANULE FR HW PLUS GRANULE FR HW GRANULE FR HW GRANULE FR ENERGYCAP™ HW PLUS GRANULE FR			
	3X	3	3X66H	MOP MOP MOP MOP	FLEXPly™ 6 FLEXPly™ 6 FLEXPly™ 6 FLEXPly™ 6	FLEXPly™ 6 FLEXPly™ 6 FLEXPly™ 6 FLEXPly™ 6	HW PLUS GRANULE FR HW PLUS GRANULE HW GRANULE FR HW GRANULE		
	2X	2	2XBTP	MOP MOP MOP MOP	#75 BASE SHEET #80 ULTIMA™ BASE SHEET #75 BASE SHEET #80 ULTIMA™ BASE SHEET	TORCH GRANULE FR TORCH GRANULE FR ENERGYCAP™ TORCH PLUS GRANULE FR ENERGYCAP™ TORCH PLUS GRANULE FR			
	2X	2	2XTT	TORCH TORCH TORCH TORCH	TORCH SMOOTH TORCH SMOOTH TORCH SMOOTH TORCH SMOOTH	TORCH PLUS GRANULE FR TORCH GRANULE ENERGYCAP™ TORCH GRANULE FR ENERGYCAP™ TORCH PLUS GRANULE FR			
	2X	2	2XSATP	SELF-ADHERED SELF-ADHERED	LIBERTY™ SA BASE/PLY SHEET LIBERTY™ SA BASE/PLY SHEET	TORCH PLUS GRANULE FR ENERGYCAP™ TORCH GRANULE FR			
	3X	3	3X66T	MOP MOP MOP MOP	FLEXPly™ 6 FLEXPly™ 6 FLEXPly™ 6 FLEXPly™ 6	FLEXPly™ 6 FLEXPly™ 6 FLEXPly™ 6 FLEXPly™ 6	TORCH GRANULE FR TORCH GRANULE ENERGYCAP™ TORCH GRANULE FR ENERGYCAP™ TORCH PLUS GRANULE FR		
NONCOMBUSTIBLE	3X 3X	3 3	3X66F 3XSASASA	MOP or ADHESIVE SELF-ADHERED	FLEXPly™ 6 LIBERTY™ SA BASE/PLY SHEET	FLEXPly™ 6 LIBERTY™ SA BASE/PLY SHEET			
COMBUSTIBLE	2W	2	2W20M	NAIL NAIL NAIL NAIL	20 SMOOTH 20 SMOOTH 20 SMOOTH 20 SMOOTH	MOP PLUS GRANULE FR MOP PLUS GRANULE MOP GRANULE FR MOP GRANULE			
	2W	2	2WMIU	NAIL	MOP SMOOTH	ULTRACLAD™ SBS			
	2W	2	2W20U	NAIL	20 SMOOTH	ULTRACLAD™ SBS			

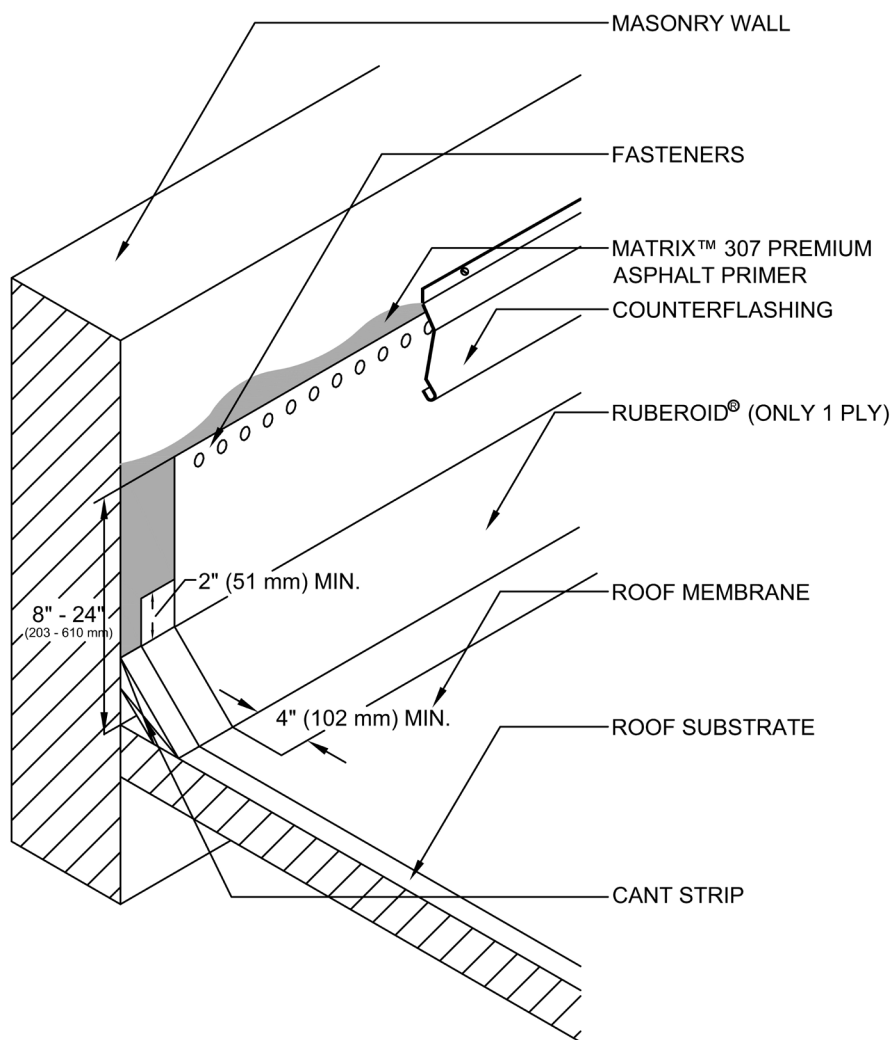
10-20-YR DIAMOND PLEDGE™ AND SYSTEM PLEDGE™ GUARANTEE SPECIFICATIONS (Continued)

WALL/CURB CONSTRUCTION COMBUSTIBLE	SEE SPEC PLATE #	NO. PLIES	SPEC #	BOTTOM SHEET ATTACHMENT	FIRST PLY	SECOND PLY	THIRD PLY
	3W	3	3WB6M	NAIL	#75 BASE SHEET	FLEXPLY™ 6	MOP PLUS GRANULE FR
				NAIL	#80 ULTIMA™ BASE SHEET	FLEXPLY™ 6	MOP PLUS GRANULE FR
				NAIL	#75 BASE SHEET	FLEXPLY™ 6	MOP PLUS GRANULE FR
				NAIL	#80 ULTIMA™ BASE SHEET	FLEXPLY™ 6	MOP PLUS GRANULE FR
				NAIL	#75 BASE SHEET	FLEXPLY™ 6	MOP PLUS GRANULE FR
				NAIL	#80 ULTIMA™ BASE SHEET	FLEXPLY™ 6	MOP PLUS GRANULE FR
				NAIL	#75 BASE SHEET	FLEXPLY™ 6	MOP PLUS GRANULE FR
				NAIL	#80 ULTIMA™ BASE SHEET	FLEXPLY™ 6	MOP PLUS GRANULE FR
	3W	3	3WB20M	NAIL	#75 BASE SHEET	20 SMOOTH	MOP PLUS GRANULE FR
				NAIL	#80 ULTIMA™ BASE SHEET	20 SMOOTH	MOP PLUS GRANULE FR
				NAIL	#75 BASE SHEET	20 SMOOTH	MOP PLUS GRANULE FR
				NAIL	#80 ULTIMA™ BASE SHEET	20 SMOOTH	MOP PLUS GRANULE FR
				NAIL	#75 BASE SHEET	20 SMOOTH	MOP PLUS GRANULE FR
				NAIL	#80 ULTIMA™ BASE SHEET	20 SMOOTH	MOP PLUS GRANULE FR
				NAIL	#75 BASE SHEET	20 SMOOTH	MOP PLUS GRANULE FR
				NAIL	#80 ULTIMA™ BASE SHEET	20 SMOOTH	MOP PLUS GRANULE FR
	3W	3	3WBMC (West Zone Only)	NAIL	#75 BASE SHEET	MOP SMOOTH	GAFGLAS® MIN. SUF. CAP
				NAIL	#80 ULTIMA™ BASE SHEET	MOP SMOOTH	GAFGLAS® MIN. SUF. CAP
	2W	2	2W25H	NAIL	#75 BASE SHEET	MOP SMOOTH	ENERGYCAP™ MIN. SUF. CAP
				NAIL	#80 ULTIMA™ BASE SHEET	MOP SMOOTH	ENERGYCAP™ MIN. SUF. CAP
				NAIL	HW 25 SMOOTH	HW PLUS GRANULE FR	
				NAIL	HW 25 SMOOTH	HW PLUS GRANULE FR	
				NAIL	HW 25 SMOOTH	HW GRANULE FR	
				NAIL	HW 25 SMOOTH	HW GRANULE FR	
				NAIL	HW 25 SMOOTH	ENERGYCAP™ SBS	
				NAIL	HW 25 SMOOTH	PLUS GRANULE FR	
	3W	3	3WB6H	NAIL	#75 BASE SHEET	FLEXPLY™ 6	HW PLUS GRANULE FR
				NAIL	#80 ULTIMA™ BASE SHEET	FLEXPLY™ 6	HW PLUS GRANULE FR
				NAIL	#75 BASE SHEET	FLEXPLY™ 6	HW PLUS GRANULE FR
				NAIL	#80 ULTIMA™ BASE SHEET	FLEXPLY™ 6	HW PLUS GRANULE FR
				NAIL	#75 BASE SHEET	FLEXPLY™ 6	HW GRANULE FR
				NAIL	#80 ULTIMA™ BASE SHEET	FLEXPLY™ 6	HW GRANULE FR
				NAIL	#75 BASE SHEET	FLEXPLY™ 6	HW GRANULE FR
				NAIL	#80 ULTIMA™ BASE SHEET	FLEXPLY™ 6	HW GRANULE FR
				NAIL	#75 BASE SHEET	FLEXPLY™ 6	HW GRANULE FR
				NAIL	#80 ULTIMA™ BASE SHEET	FLEXPLY™ 6	HW GRANULE FR
				NAIL	#75 BASE SHEET	FLEXPLY™ 6	ENERGYCAP™ HW PLUS GRANULE FR
				NAIL	#80 ULTIMA™ BASE SHEET	FLEXPLY™ 6	ENERGYCAP™ HW PLUS GRANULE FR

10-20-YR DIAMOND PLEDGE™ AND SYSTEM PLEDGE™ GUARANTEE SPECIFICATIONS (Continued)	SEE SPEC NO.	PLIES	SPEC.#	BOTTOM SHEET ATTACHMENT	FIRST PLY	SECOND PLY	THIRD PLY	SURFACING
WALL/CURB CONSTRUCTION COMBUSTIBLE	3W	3	3WB25H	NAIL	#75 BASE SHEET PLUS GRANULE FR	HW 25 SMOOTH	HW PLUS GRANULE FR	
				NAIL	#80 ULTIMA™ BASE SHEET	HW 25 SMOOTH	HW PLUS GRANULE FR	
				NAIL	#75 BASE SHEET	HW 25 SMOOTH	HW PLUS GRANULE	
				NAIL	#80 ULTIMA™ BASE SHEET	HW 25 SMOOTH	HW PLUS GRANULE	
				NAIL	#75 BASE SHEET	HW 25 SMOOTH	HW GRANULE FR	
				NAIL	#80 ULTIMA™ BASE SHEET	HW 25 SMOOTH	HW GRANULE	
				NAIL	#75 BASE SHEET	HW 25 SMOOTH	ENERGYCAP™ HW PLUS GRANULE FR	
				NAIL	#80 ULTIMA™ BASE SHEET	HW 25 SMOOTH	ENERGYCAP™ HW PLUS GRANULE FR	
	2W	2	2WTP	NAIL	#75 BASE SHEET	TORCH PLUS GRANULE FR		
				NAIL	#80 ULTIMA™ BASE SHEET	TORCH PLUS GRANULE FR		
				NAIL	#75 BASE SHEET	ENERGYCAP™ TORCH PLUS GRANULE FR		
				NAIL	#80 ULTIMA™ BASE SHEET	ENERGYCAP™ TORCH PLUS GRANULE FR		
	3W	3	3WB6T	NAIL	#75 BASE SHEET	FLEXPLY™ 6	TORCH PLUS GRANULE FR	
				NAIL	#80 ULTIMA™ BASE SHEET	FLEXPLY™ 6	TORCH PLUS GRANULE FR	
				NAIL	#75 BASE SHEET	FLEXPLY™ 6	TORCH GRANULE	
				NAIL	#80 ULTIMA™ BASE SHEET	FLEXPLY™ 6	ENERGYCAP™ TORCH PLUS GRANULE FR	
				NAIL	#75 BASE SHEET	FLEXPLY™ 6	ENERGYCAP™ TORCH PLUS GRANULE FR	
				NAIL	#80 ULTIMA™ BASE SHEET	FLEXPLY™ 6	ENERGYCAP™ TORCH PLUS GRANULE FR	



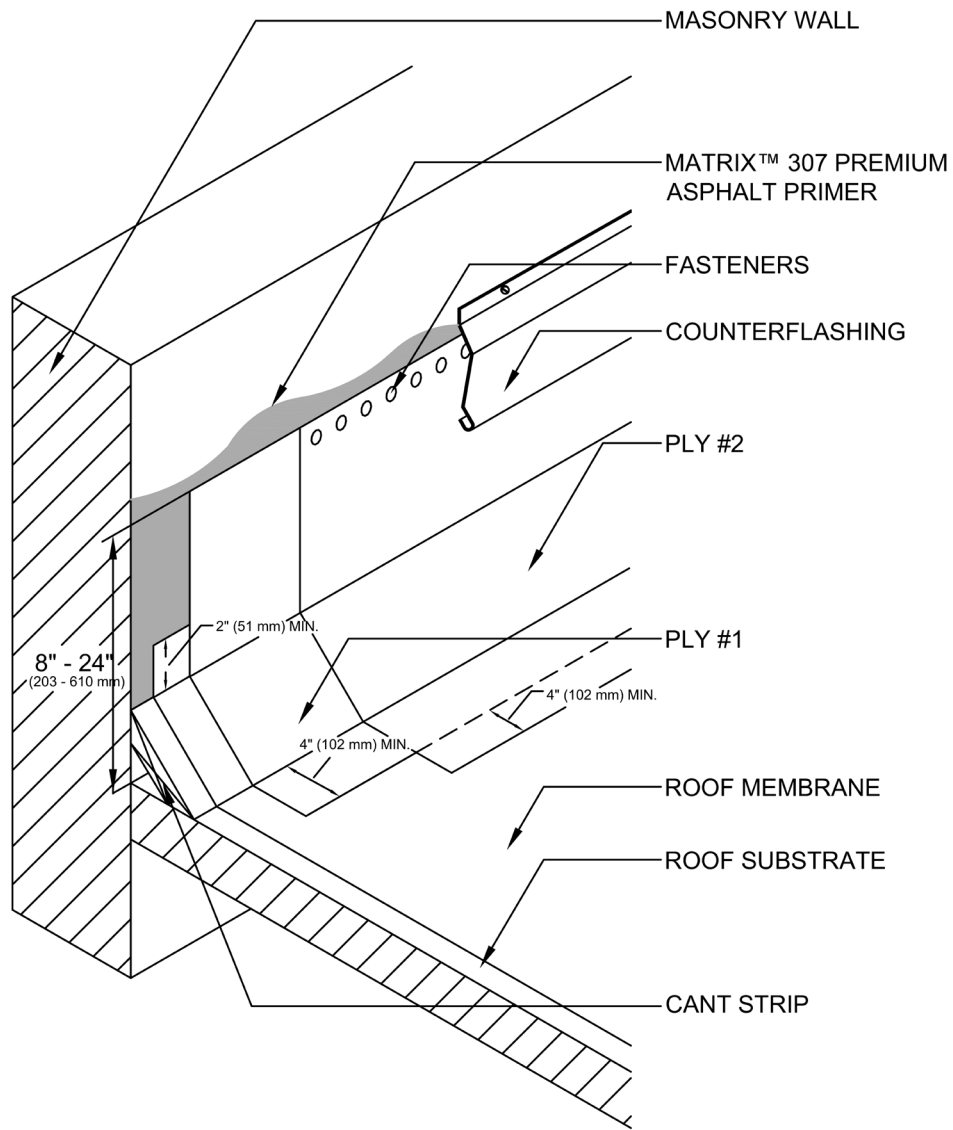
WALL/CURB FLASHING SPEC PLATE: 1X ONE (1) PLY BASE FLASHING (NON-COMBUSTIBLE WALL) SUBSTRATE



WALL/CURB FLASHING SPEC PLATE: 2X TWO (2) PLY BASE FLASHING (NON-COMBUSTIBLE WALL) SUBSTRATE

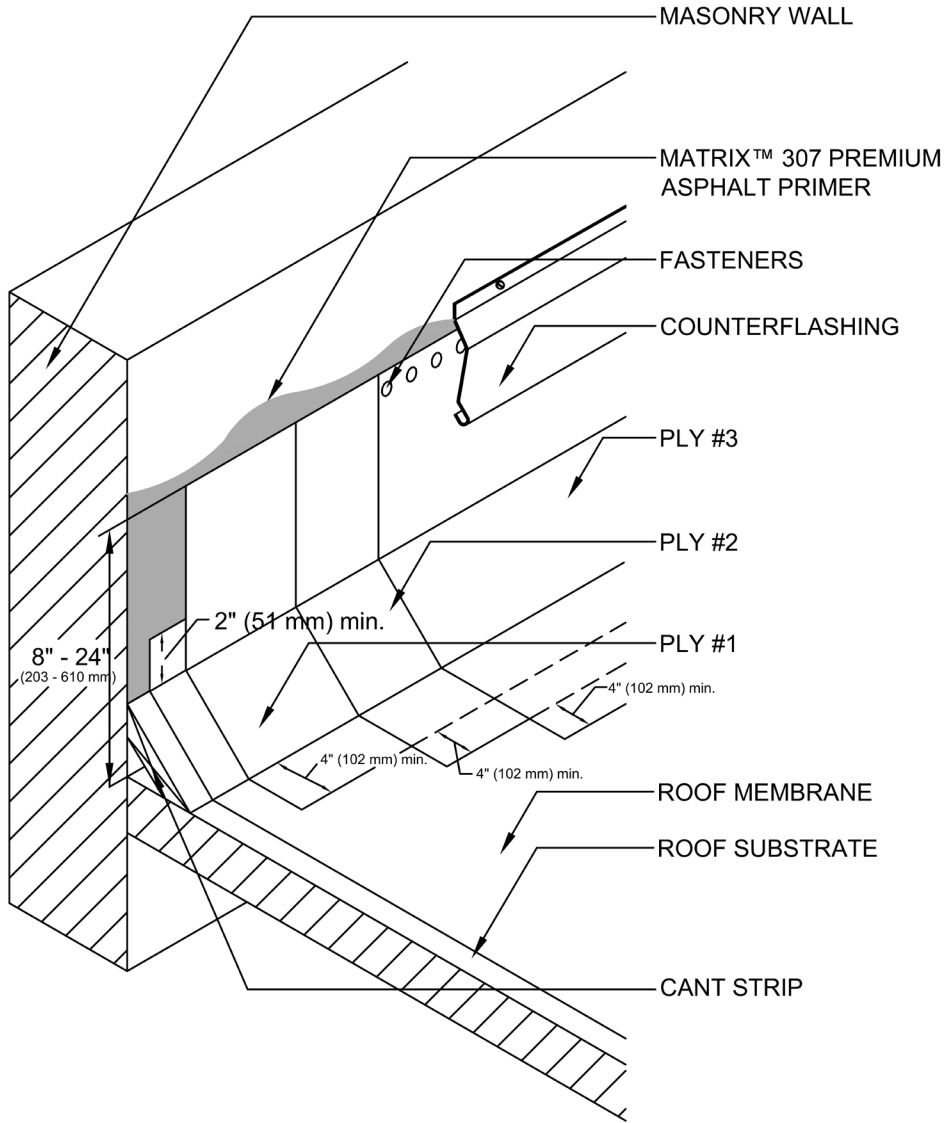


Flashing Details





WALL/CURB FLASHING SPEC PLATE: 3X THREE (3) PLY BASE FLASHING (NON-COMBUSTIBLE WALL) SUBSTRATE

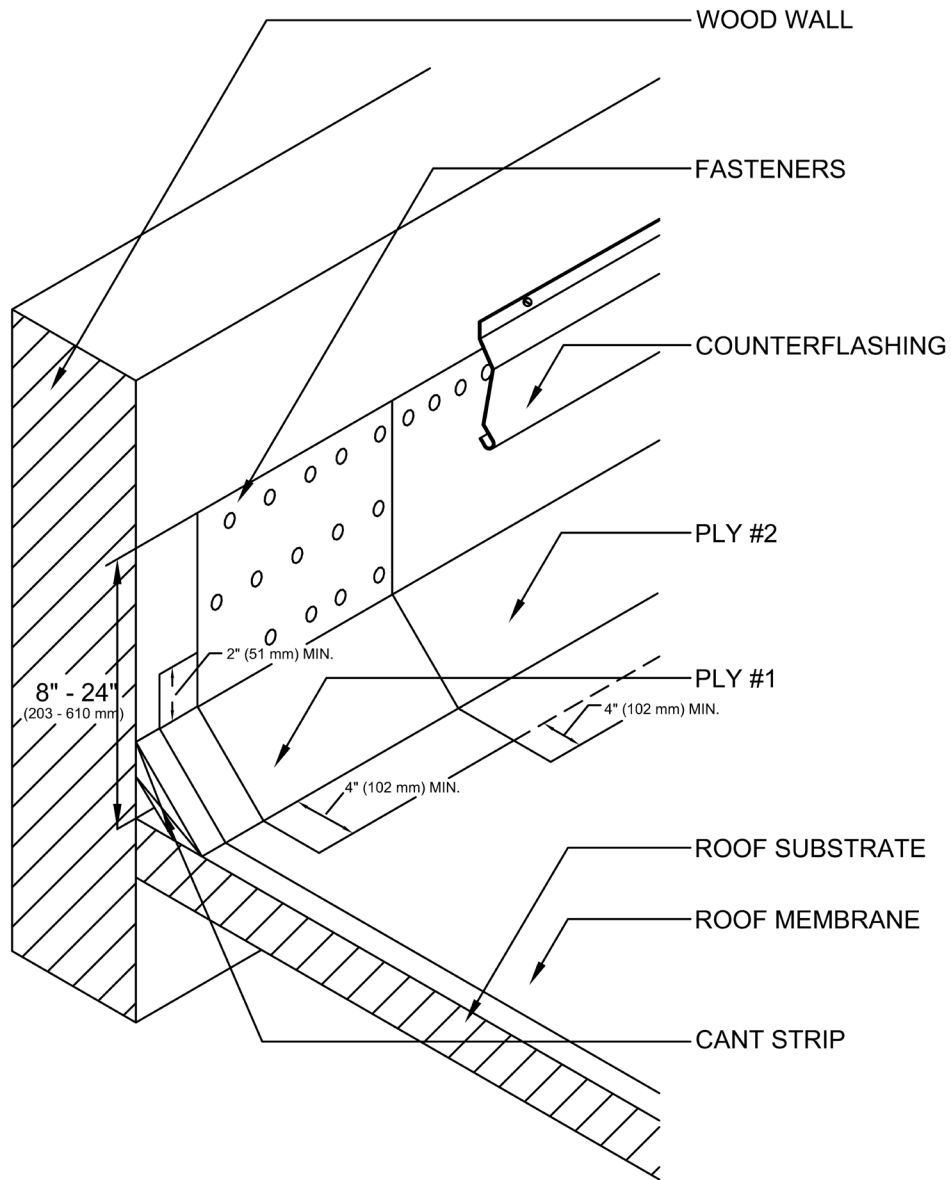


Flashing Details

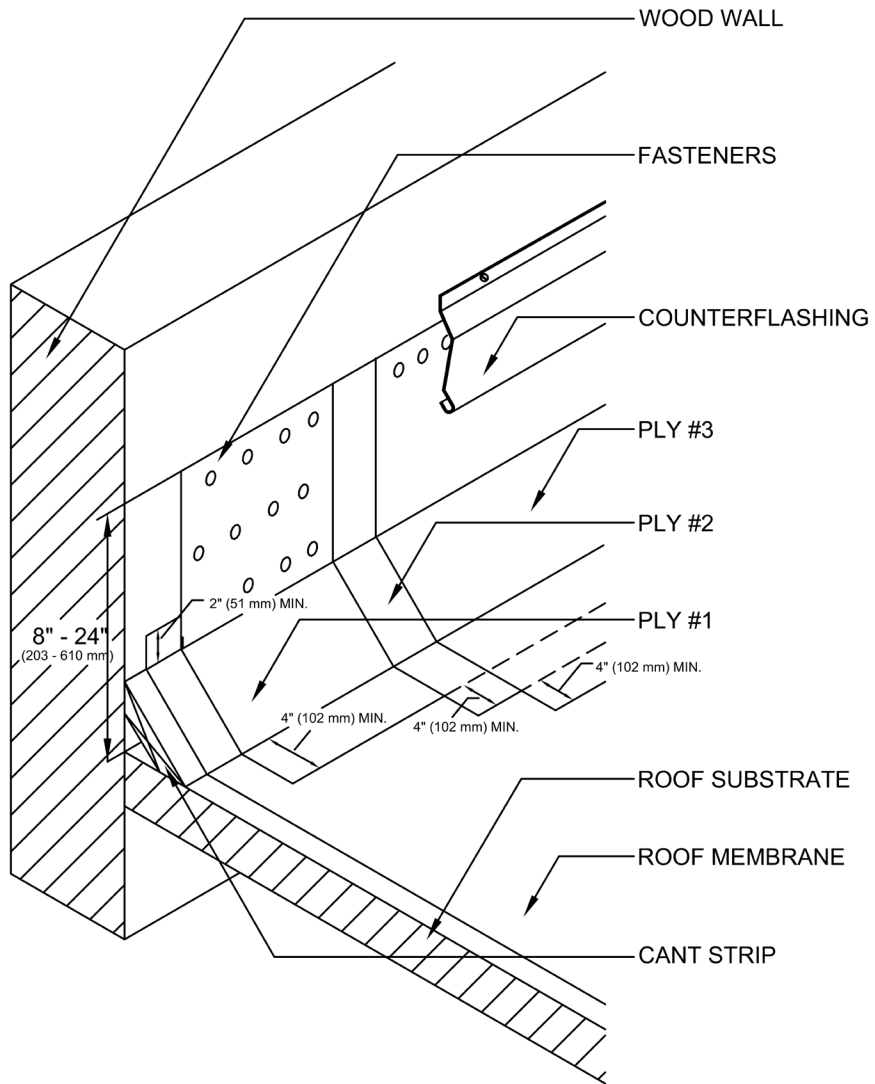
WALL/CURB FLASHING SPEC PLATE: 2W TWO (2) PLY BASE FLASHING (COMBUSTIBLE WALL) SUBSTRATE



Flashing Details

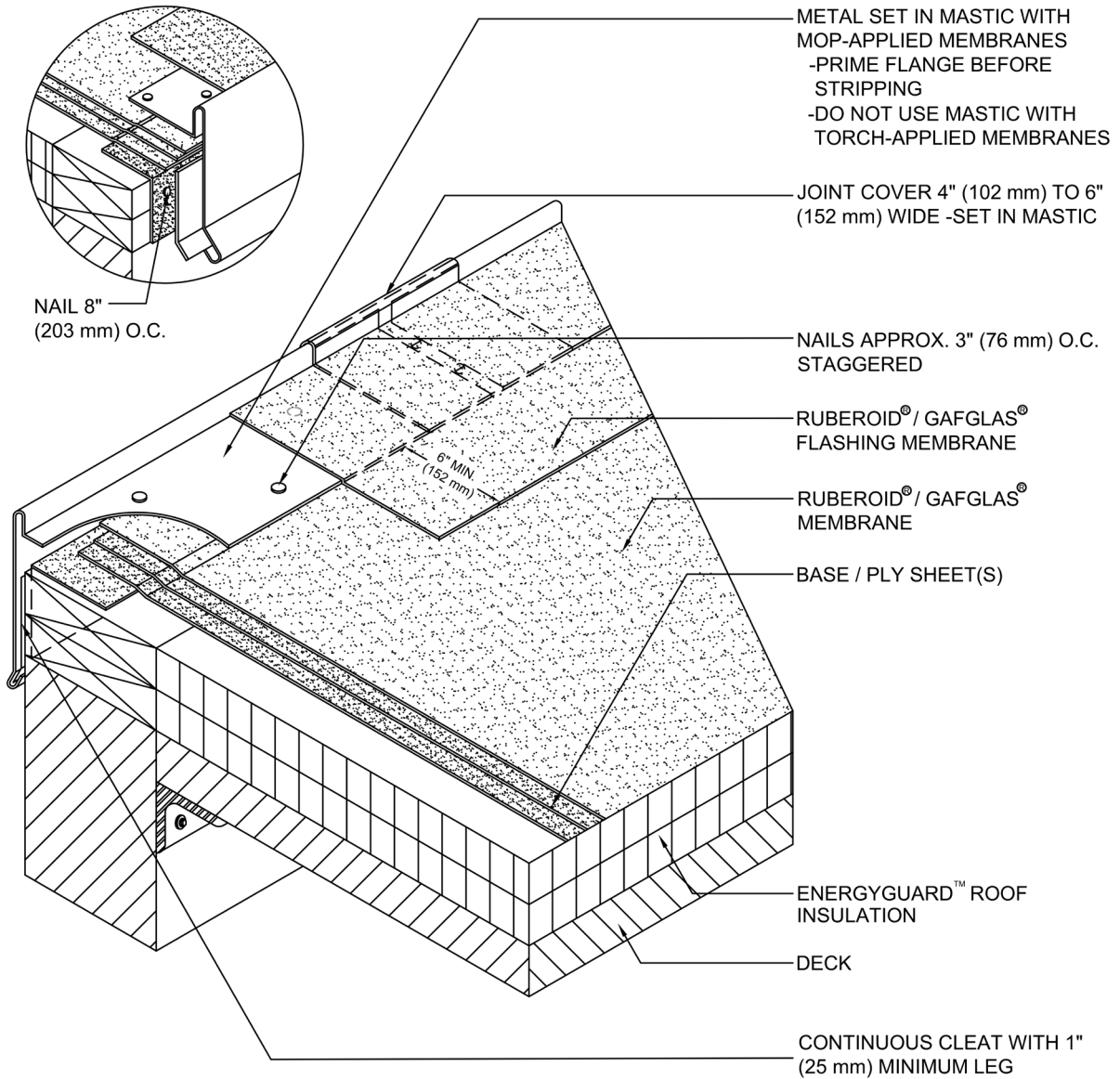


WALL/CURB FLASHING SPEC PLATE: 3W THREE (3) PLY BASE FLASHING (COMBUSTIBLE WALL) SUBSTRATE



Flashing Details

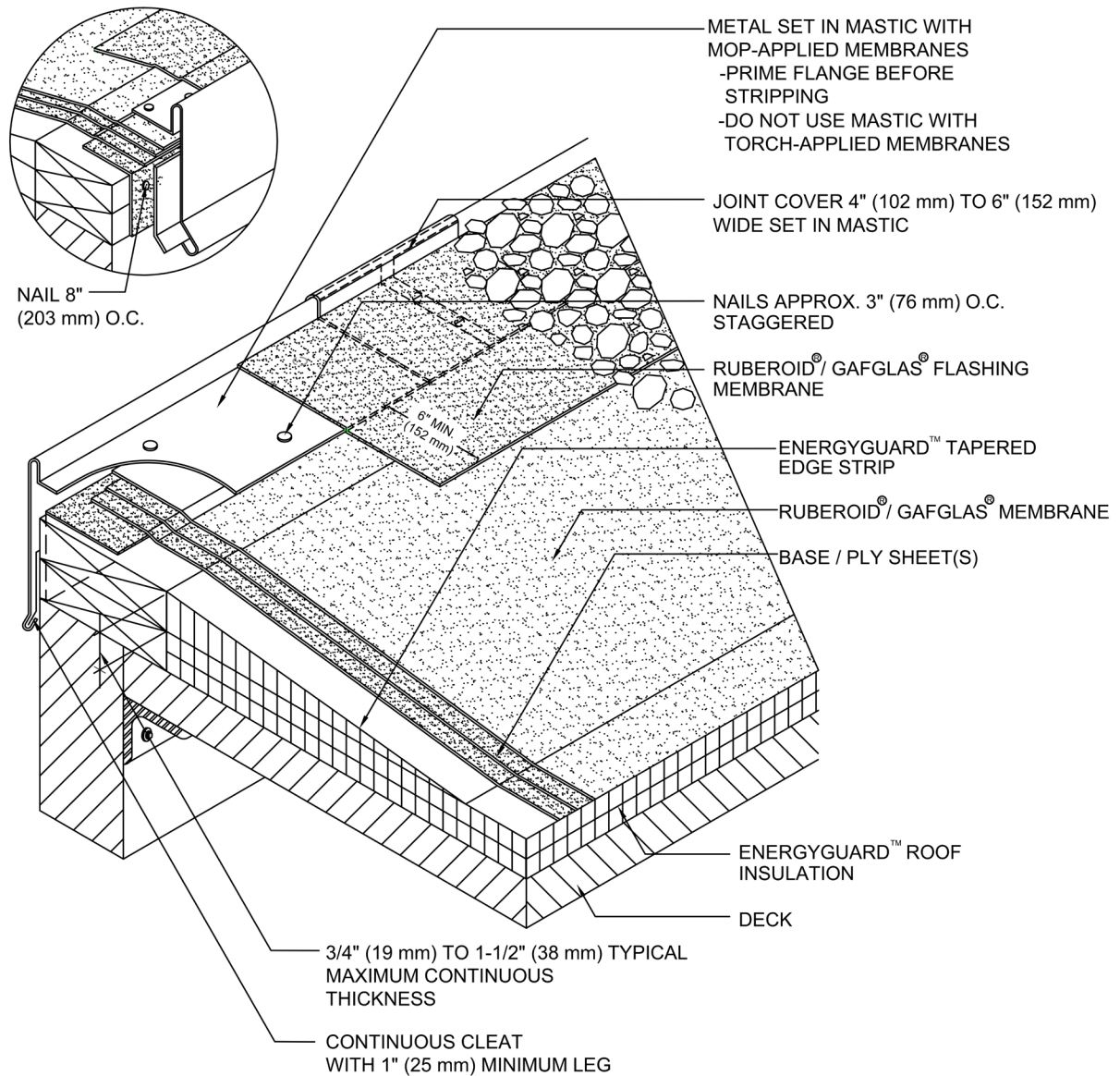
MB 1/BUR 1 – FLAT-EDGE FLASHING DETAIL



NOTE:

1. BASE/PLY SHEET(S) TURNED OVER EDGE A MINIMUM OF 1 1/2" (38 mm) OR THICKNESS OF NAILER, WHICHEVER IS GREATER, OR A SEPARATION MEMBRANE SHEET IS INSTALLED AS SHOWN.
2. THIS DETAIL SHOULD BE USED ONLY WHERE WATER DRAINS AWAY FROM EDGE.
3. PRIME BOTH SIDES OF FLANGE AND SET IT IN ROOF CEMENT ON MOP MB, COLD MB SA, MB AND BUR. SET PRIMED FLANGE IN HEAT-SOFTENED MEMBRANE ON TORCH APP AND HEAT-WELD SBS SYSTEMS.

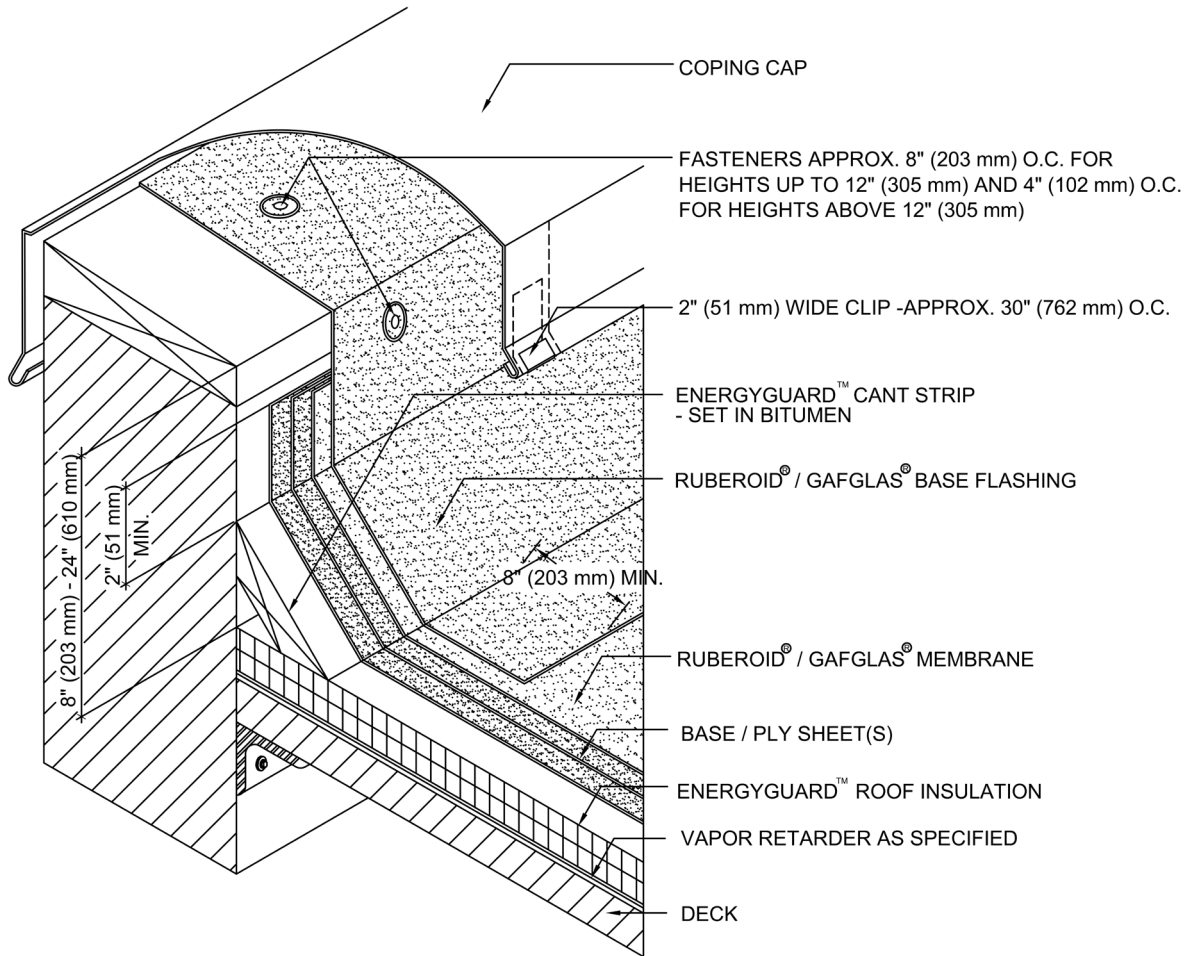
MB 2/BUR 2 – TAPERED-EDGE FLASHING DETAIL



NOTE:

1. BASE/PLY SHEET(S) TURNED OVER EDGE A MINIMUM OF 1 1/2" (38 mm) OR THICKNESS OF NAILER, WHICHEVER IS GREATER, OR A SEPARATION MEMBRANE SHEET IS INSTALLED AS SHOWN.
2. PRIME BOTH SIDES OF FLANGE AND SET IT IN FLASHING CEMENT ON MOP MB, COLD MB SA, MB, AND BUR. SET PRIMED FLANGE IN HEAT-SOFTENED MEMBRANE ON TORCH APP AND HEAT-WELD SBS SYSTEMS.

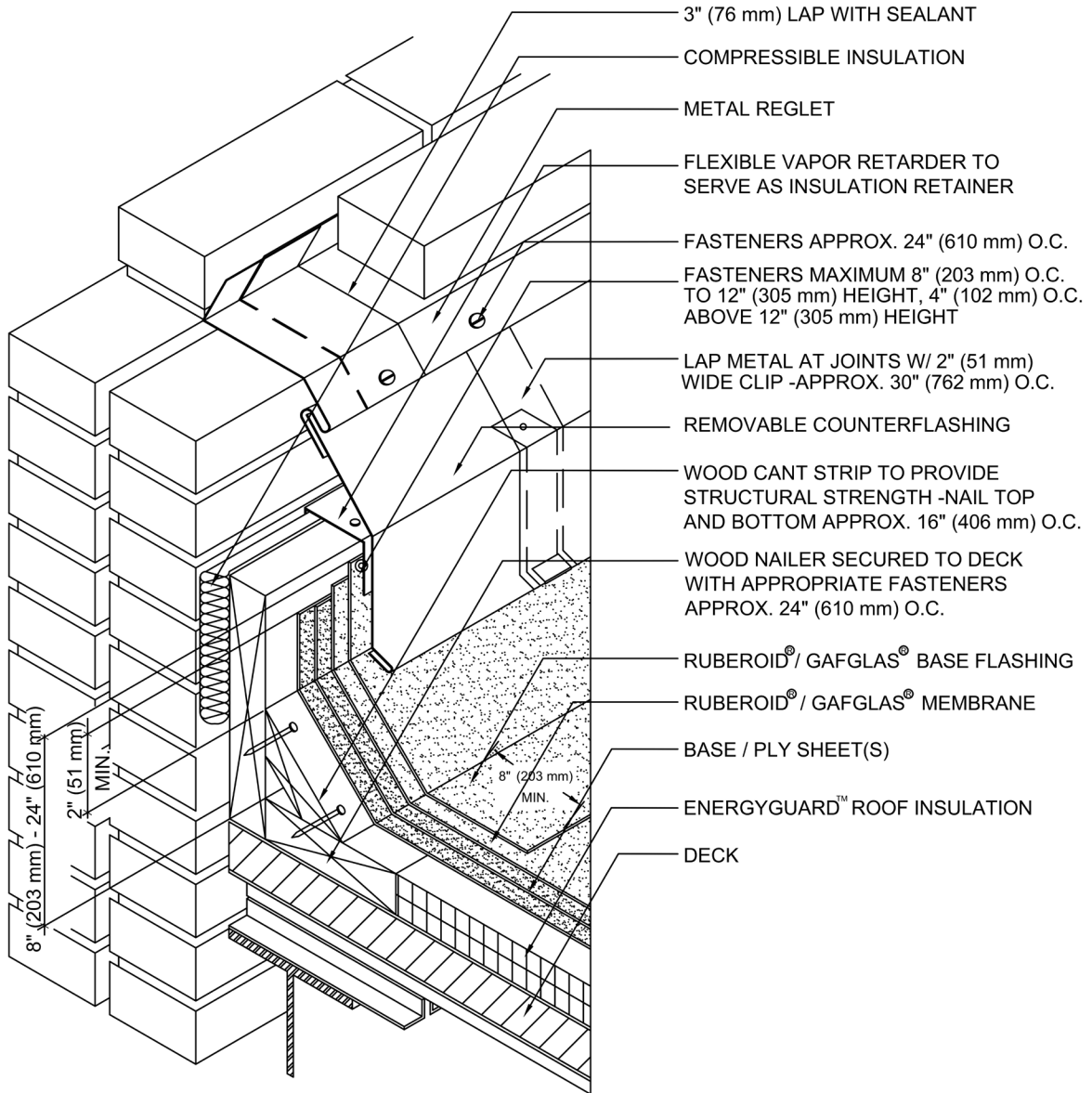
MB 3/BUR 3 – WALL FLASHING DETAIL FOR WALL-SUPPORTED DECK



NOTE:

1. WHEN PARAPET WALL EXCEEDS 24" (610 mm) IN HEIGHT, REFER TO DETAIL MB/BUR 6, "HIGH PARAPET WALL."
2. MASONRY WALLS TO BE PRIMED PRIOR TO FLASHING. WOOD WALLS REQUIRE BASE SHEET NAILED TO WALL 8" (203 mm) O.C. ALONG TOP AND LAPS AND 8" (203 mm) O.C. THROUGHOUT THE FIELD OF THE BASE SHEET ON THE WALL.
3. BASE FLASHINGS TURNED OVER EDGE A MINIMUM OF 1 1/2" (38 mm) OR THICKNESS OF NAILER, WHICHEVER IS GREATER.
4. BASE FLASHING ON ALL 15- AND 20-YEAR GUARANTEE SYSTEMS MUST HAVE A BASE PLY. REFER TO FLASHING MEMBRANE APPLICATION AND FLASHING SPECIFICATION PLATES.

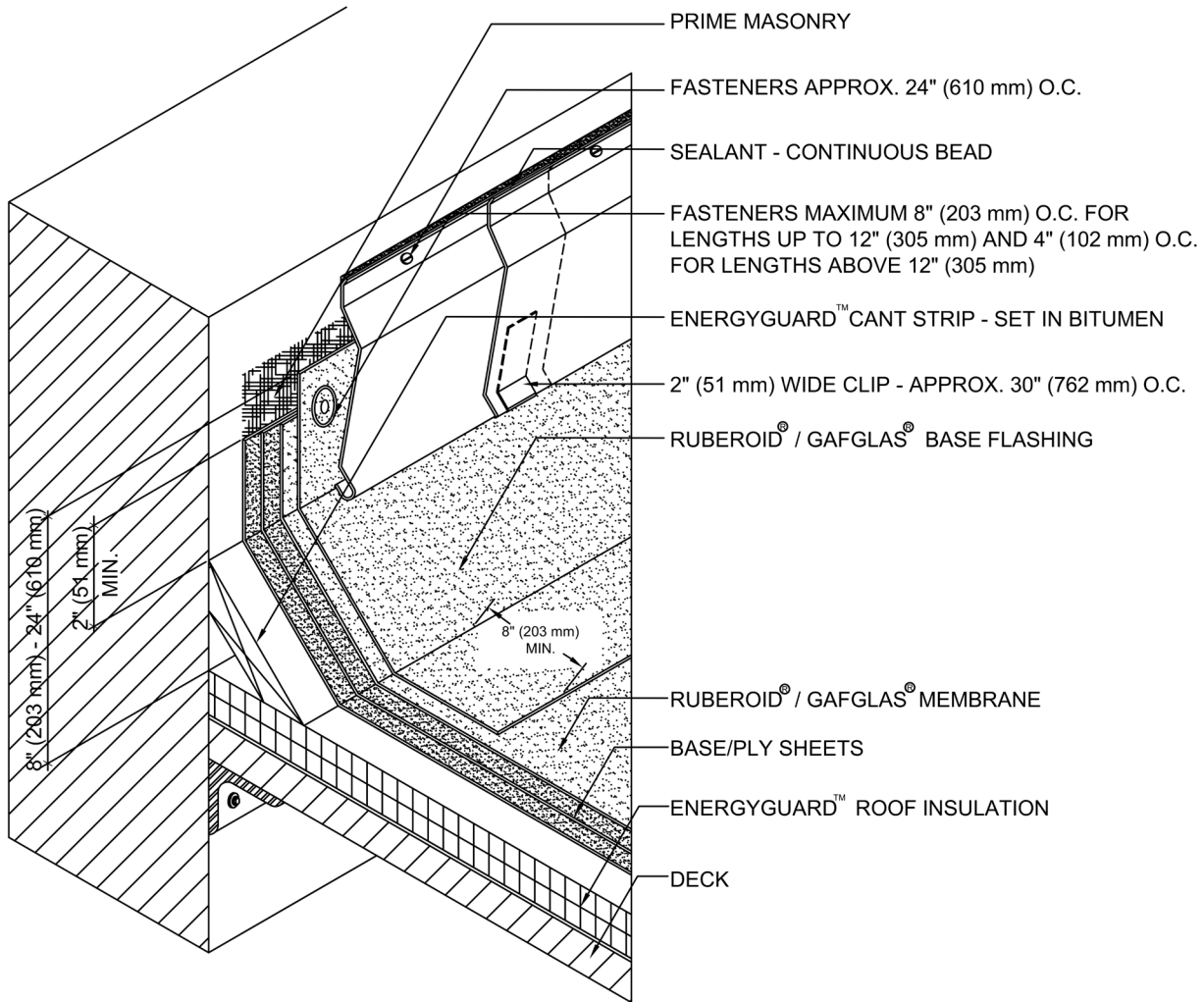
MB 4/BUR 4 – BASE FLASHING FOR NON-WALL-SUPPORTED DECK



NOTE:

1. THIS DETAIL ALLOWS WALL AND DECK TO MOVE INDEPENDENTLY.
2. THIS DETAIL SHOULD BE USED WHERE THERE IS ANY POSSIBILITY THAT DIFFERENTIAL MOVEMENT WILL OCCUR BETWEEN THE DECK AND A VERTICAL SURFACE, SUCH AS AT A PENTHOUSE WALL. THE VERTICAL WOOD MEMBER SHOULD BE FASTENED TO THE DECK ONLY. THIS IS ONE SATISFACTORY METHOD OF JOINING THE TWO-PIECE FLASHING SYSTEM. OTHER METHODS MAY BE USED.
3. COUNTERFLASHING MUST EXTEND AT LEAST 4" (102 mm) BELOW THE TOP EDGE OF THE BASE FLASHING AND 3" (76 mm) BELOW BASE FLASHING FASTENERS.

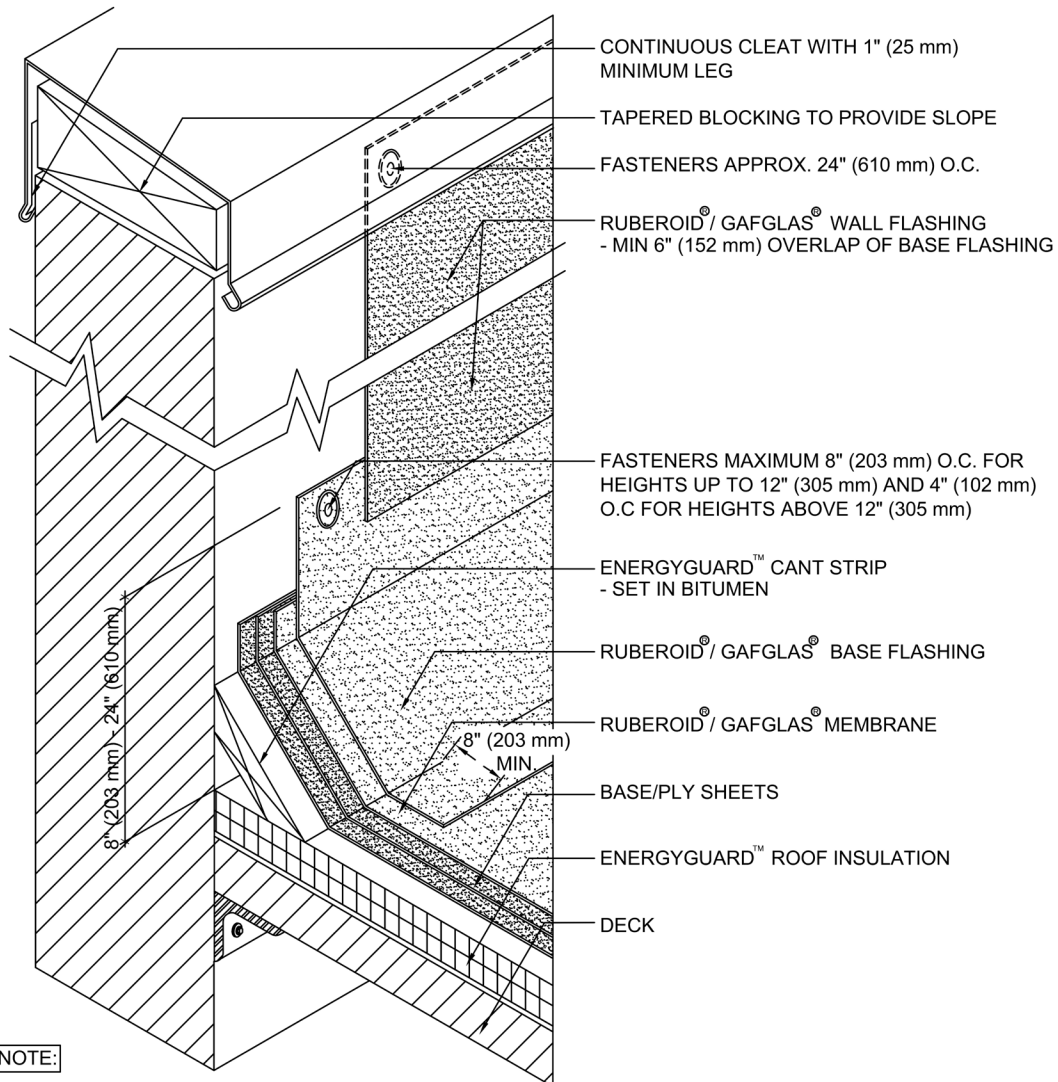
MB 5/BUR 5 – WALL FLASHING DETAIL WITH SURFACE-MOUNTED COUNTERFLASHING



NOTE:

1. WHEN PARAPET WALL EXCEEDS 24" (610 mm) IN HEIGHT, REFER TO DETAIL MB/BUR 6, "HIGH PARAPET WALL."
2. MASONRY WALLS TO BE PRIMED PRIOR TO FLASHING. WOOD WALLS REQUIRE BASE SHEET NAILED TO WALL 8" (203 mm) O.C. ALONG TOP AND LAPS AND 8" (203 mm) O.C. THROUGHOUT THE FIELD OF THE BASE SHEET ON THE WALL.
3. BASE FLASHING ON ALL 15- & 20-YEAR GUARANTEE SYSTEMS MUST HAVE A BASE PLY. REFER TO FLASHING MEMBRANE APPLICATION AND FLASHING SPECIFICATION PLATES.
4. SEALANT AT TOP OF SURFACE-MOUNTED COUNTERFLASHING IS A MAINTENANCE ITEM AND MUST BE MAINTAINED THROUGHOUT THE LIFE OF THE ROOF TO ENSURE A WATERTIGHT SEAL.

MB 6/BUR 6 – HIGH PARAPET WALL DETAIL

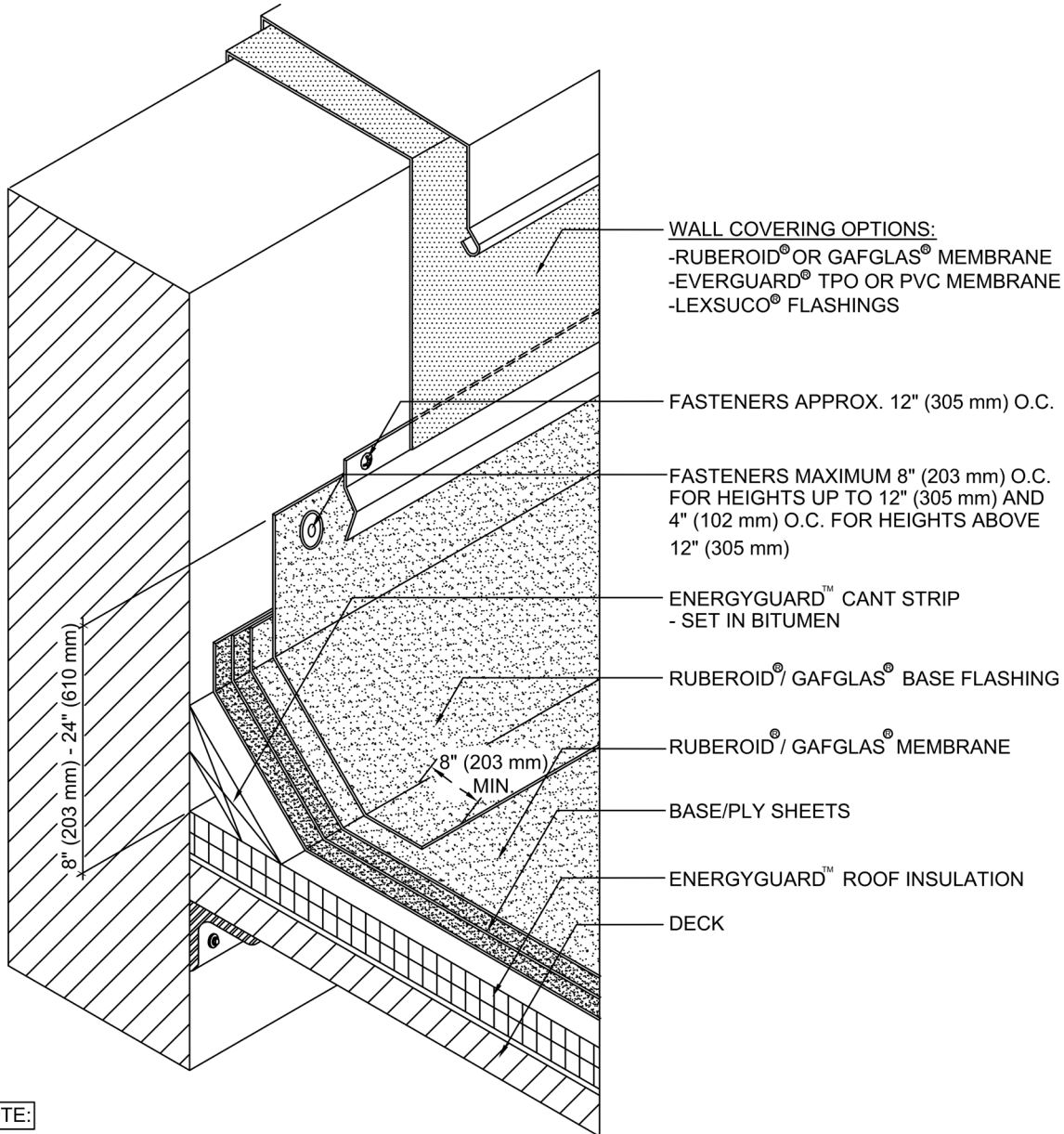


1. MASONRY WALLS TO BE PRIMED PRIOR TO FLASHING. WOOD WALLS REQUIRE BASE SHEET NAILED TO WALL 8" (203 mm) O.C. ALONG TOP AND LAPS AND 8" (203 mm) O.C. THROUGHOUT THE FIELD OF THE BASE SHEET ON THE WALL.
2. REFER TO DETAIL MB/BUR 7 FOR ALTERNATE WALL FLASHING METHOD.
3. FASTEN BASE FLASHING APPROXIMATELY 8" (203 mm) O.C. FOR HEIGHTS UP TO 12" (305 mm) AND 4" (102 mm) O.C. FOR HEIGHTS UP TO 24" (610 mm).
4. FOR WALL FLASHINGS IN EXCESS OF 4" (102 mm) CONTACT GAF TECHNICAL SERVICES AT 1-800-ROOF-411.
5. BASE FLASHING ON ALL 15- & 20-YEAR GUARANTEE SYSTEMS MUST HAVE A BASE PLY. REFER TO FLASHING MEMBRANE APPLICATION AND FLASHING SPECIFICATION PLATES.

MB 7/BUR 7 – ALTERNATE HIGH PARAPET WALL DETAIL



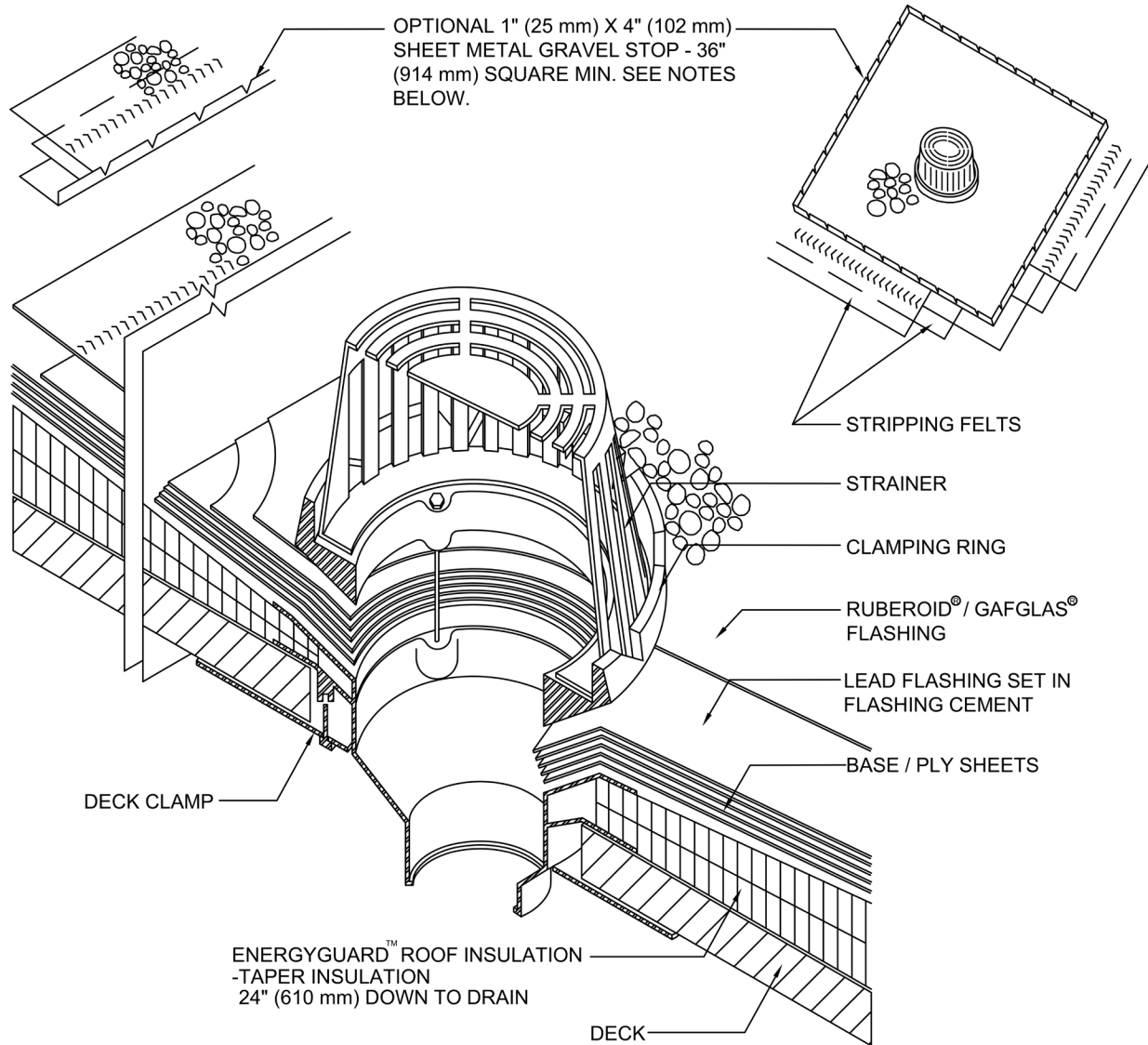
Flashing Details



NOTE:

1. MASONRY WALLS TO BE PRIMED PRIOR TO FLASHING. WOOD WALLS REQUIRE BASE SHEET NAILED TO WALL 8" (203 mm) O.C. ALONG TOP AND LAPS AND 8" (203 mm) O.C. THROUGHOUT THE FIELD OF THE BASE SHEET ON THE WALL.
2. WALL COVERINGS TURNED OVER EDGE A MINIMUM OF 1 1/2" (38mm) OR THICKNESS OF NAILER WHICHEVER IS GREATER.
3. FASTEN BASE FLASHING APPROXIMATELY 8" (203 mm) O.C. FOR HEIGHTS UP TO 12" (305 mm) AND 4" (102 mm) O.C. FOR HEIGHTS UP TO 24" (610 mm).
4. FOR WALL FLASHINGS IN EXCESS OF 4' (1.22 m) CONTACT GAF TECHNICAL SERVICES AT 1-800-ROOF-411.

MB 8/BUR 8 – ROOF DRAIN DETAIL



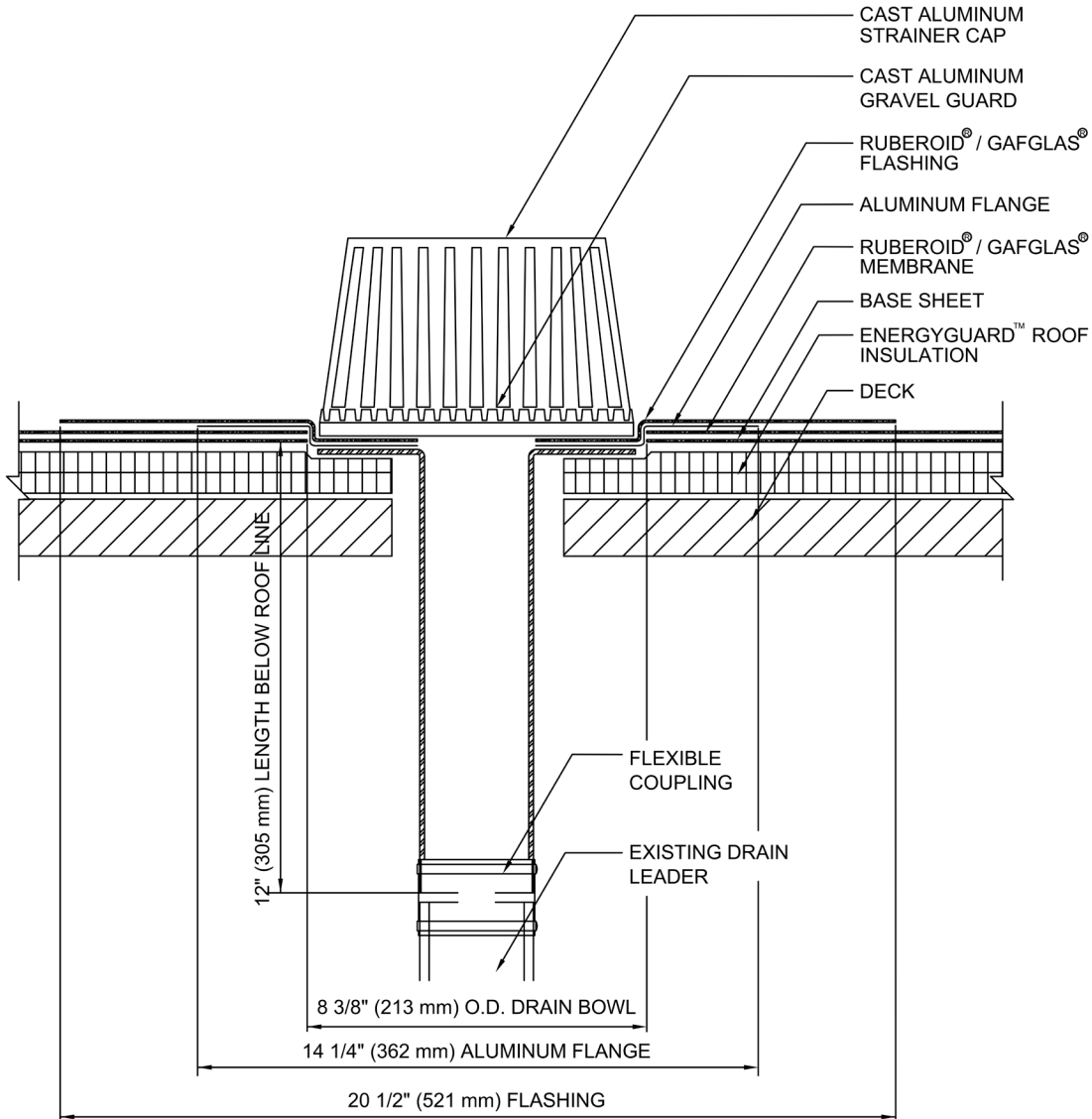
NOTE:

1. MINIMUM 30" (762 mm) SQUARE, 2-1/2-LB. TO 4-LB. (1.13 kg TO 1.81 kg) LEAD OR 16-OZ. SOFT COPPER FLASHING. SET PRIMED FLANGE IN ROOF CEMENT IN MOP MB, SA MB, COLD MB, OR BUR. SET PRIMED FLANGE IN HEAT-SOFTENED MEMBRANE ON TORCH APP OR HW SBS SYSTEMS. PRIME TOP SURFACE BEFORE STRIPPING.
2. MEMBRANE PLIES, METAL FLASHING, AND FLASHING PLIES EXTEND UNDER CLAMPING RING.
3. STRIPPING FELTS EXTEND 4" (102 mm) AND 8" (203 mm) BEYOND EDGE OF FLASHING SHEET, BUT NOT BEYOND EDGE OF SUMP. INSTALL STRIPPING BEFORE INSTALLATION OF CAP SHEET OR GRAVEL.

MB 9/BUR 9 – M-DRAIN FLASHING DETAIL



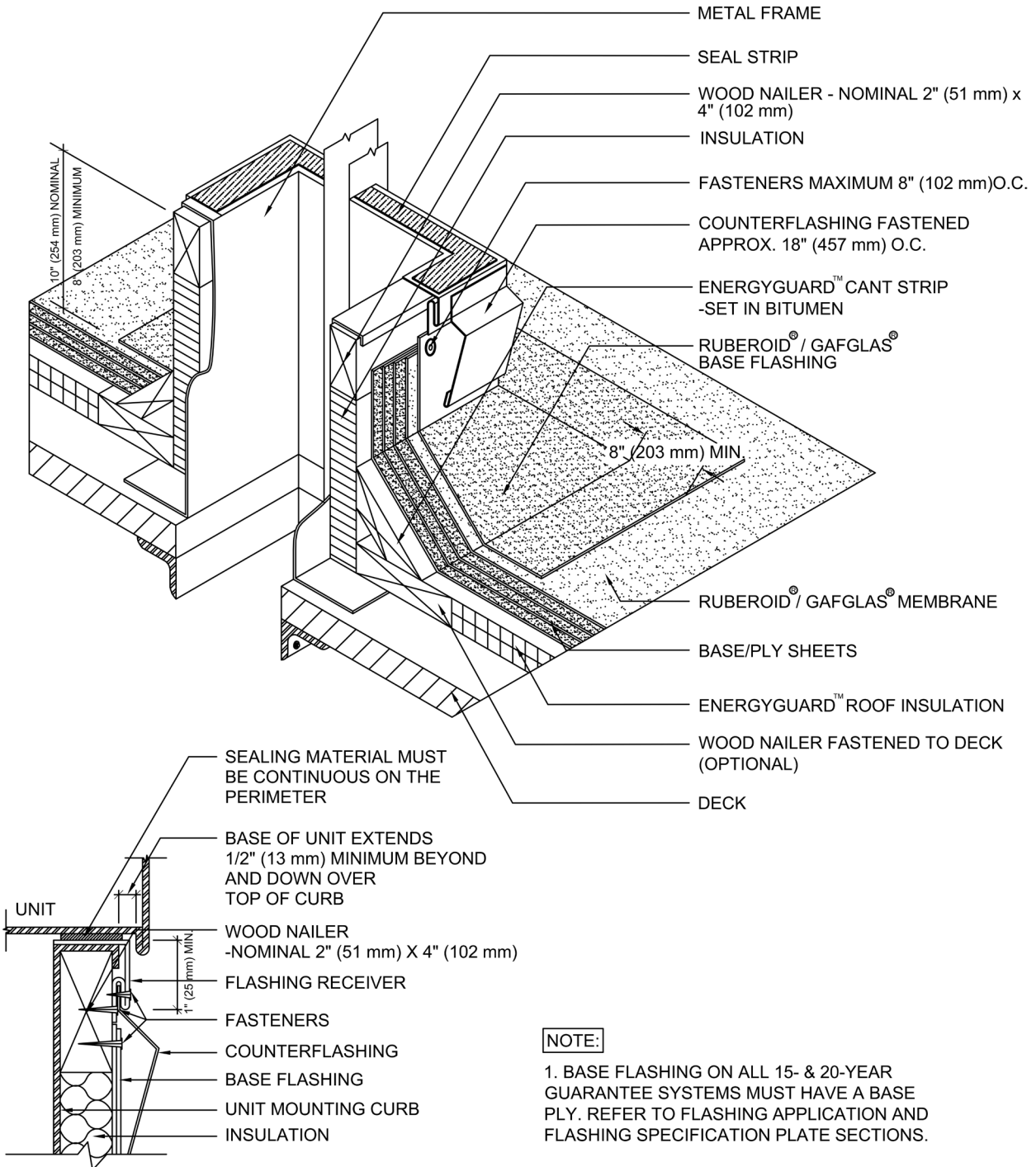
Flashing Details



NOTE:

1. DRAIN TO BE LOCATED IN SUMP.

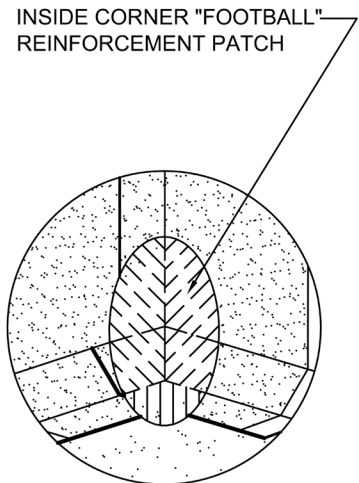
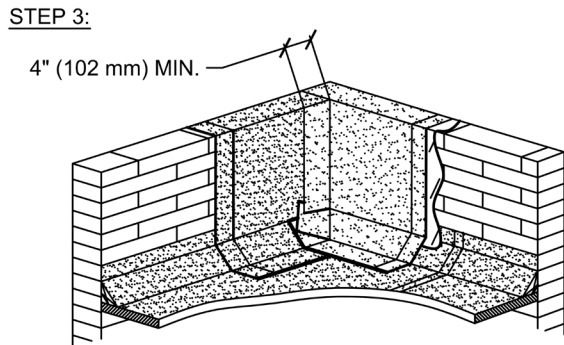
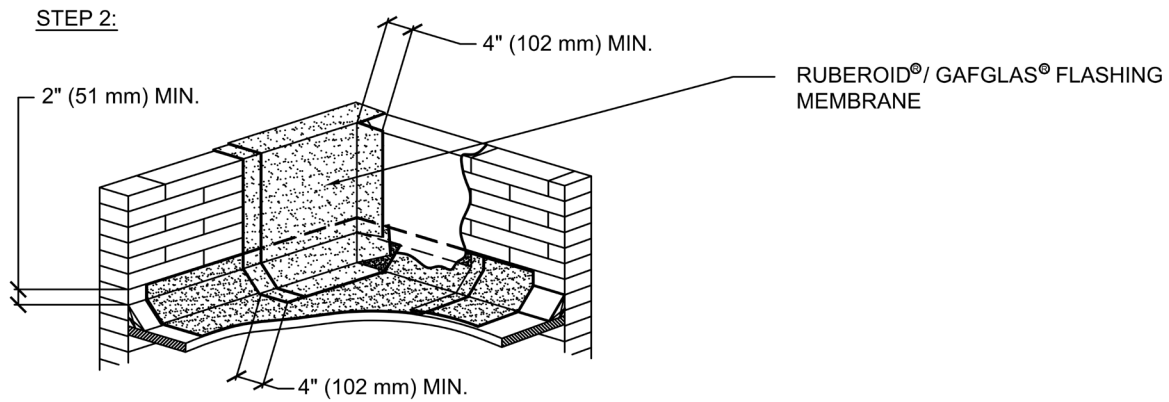
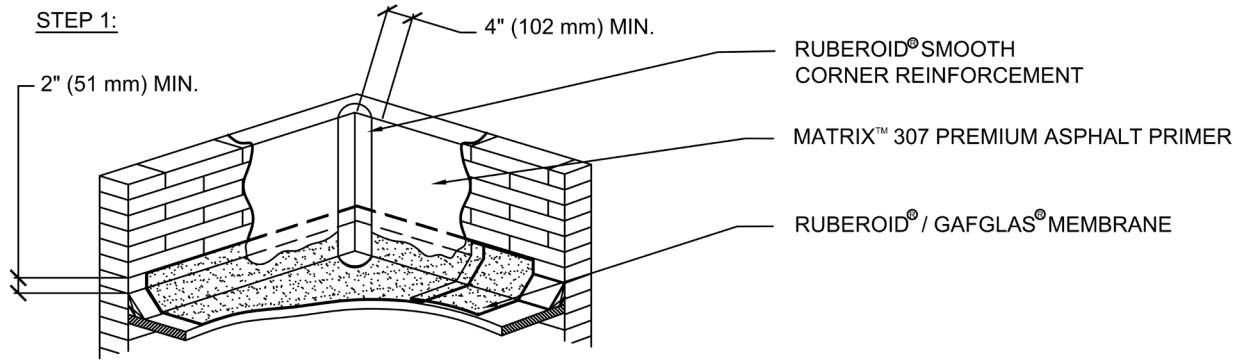
MB 10/BUR 10 – EQUIPMENT BASE FLASHING DETAIL



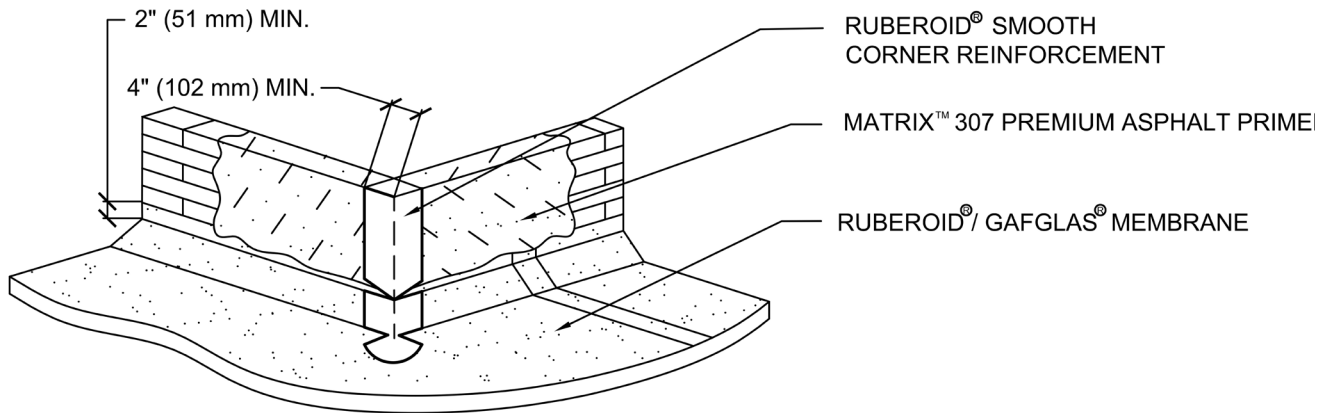
MB 11/BUR 11 – INSIDE CORNER FLASHING DETAIL FOR 1X



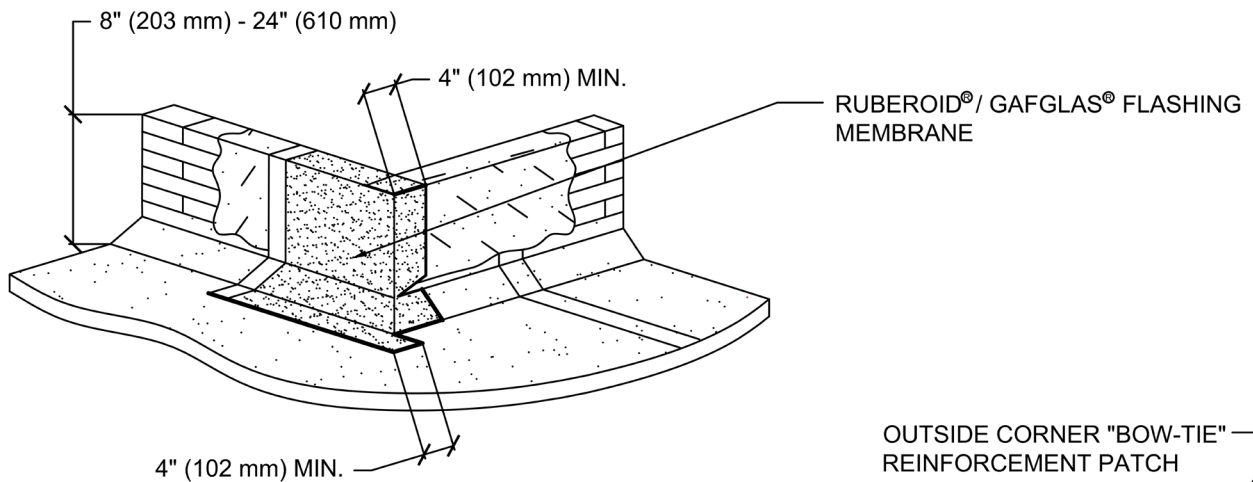
Flashing Details



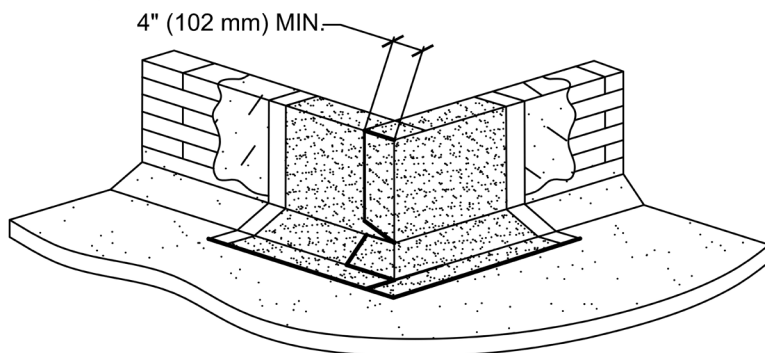
MB 12/BUR 12 – OUTSIDE CORNER FLASHING DETAIL FOR 1X



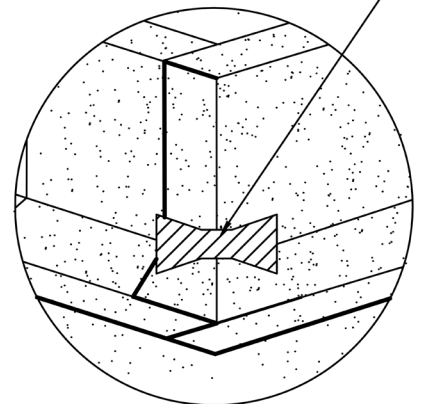
STEP 2:



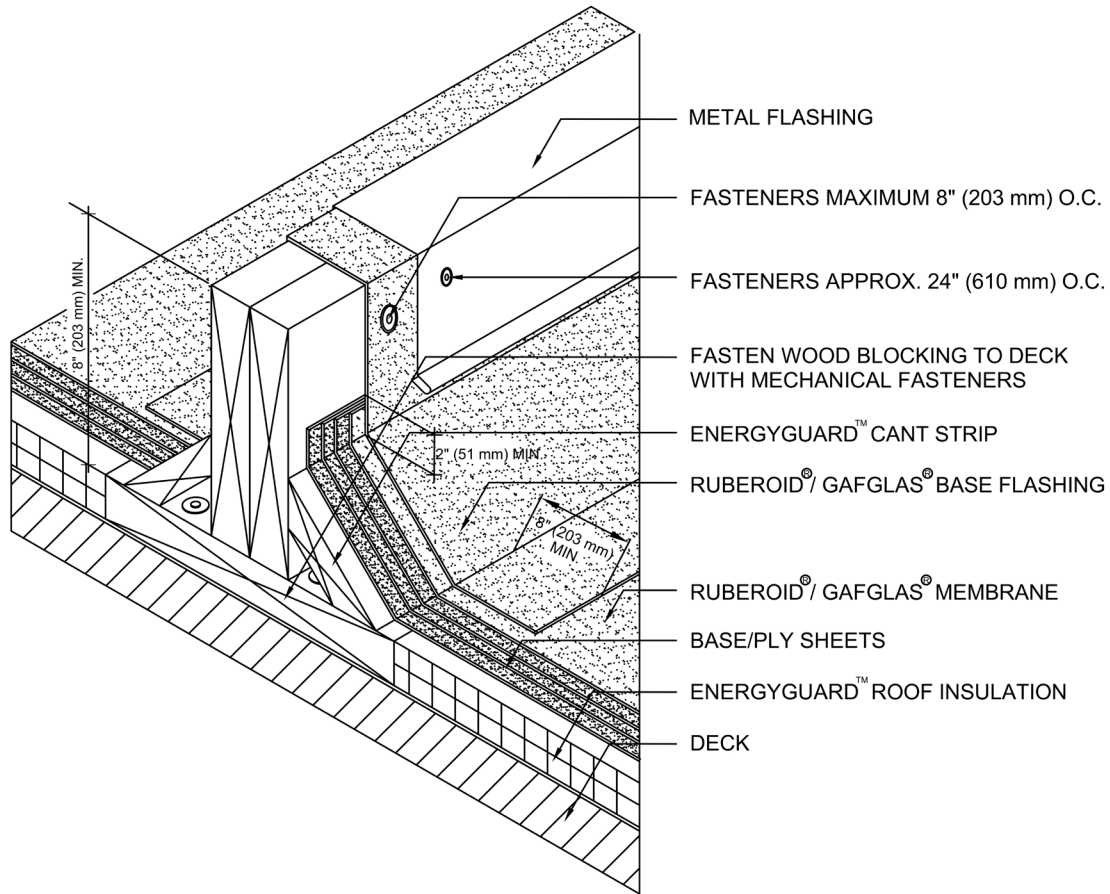
STEP 3:



OUTSIDE CORNER "BOW-TIE" REINFORCEMENT PATCH



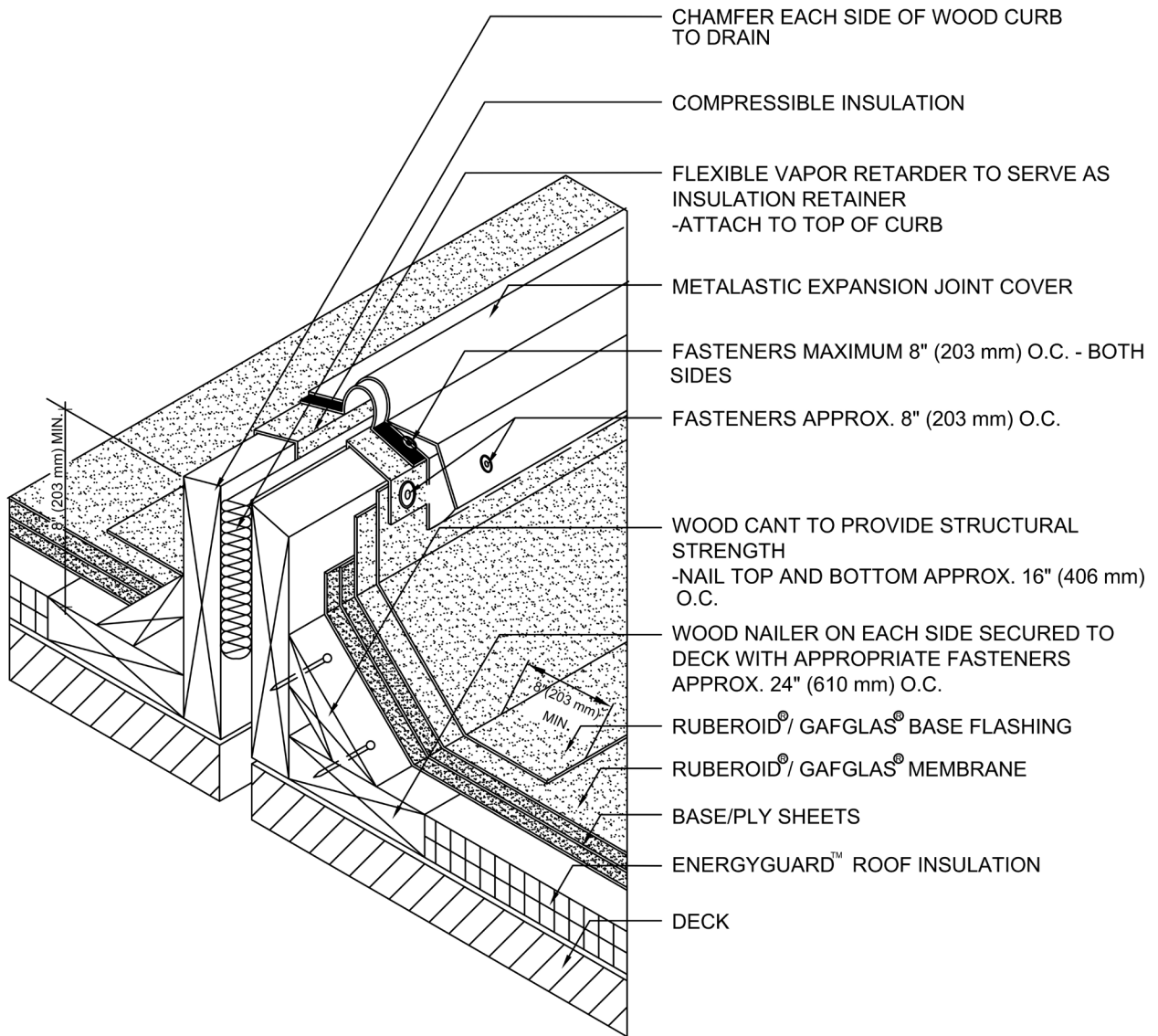
MB 13/BUR 13 – CURB FLASHING/AREA DIVIDER DETAIL



NOTE:

1. AN AREA DIVIDER IS DESIGNED SIMPLY AS A RAISED DOUBLE WOOD MEMBER ATTACHED TO A PROPERLY FLASHED WOOD BASE PLATE THAT IS ANCHORED TO THE ROOF DECK. AREA DIVIDERS MUST NEVER RESTRICT THE FLOW OF WATER.

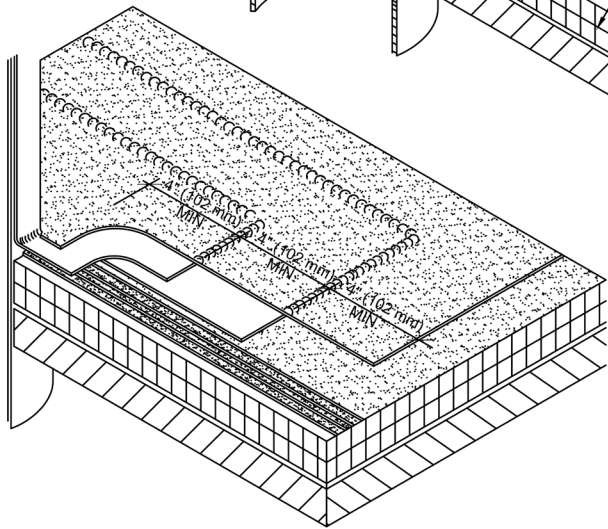
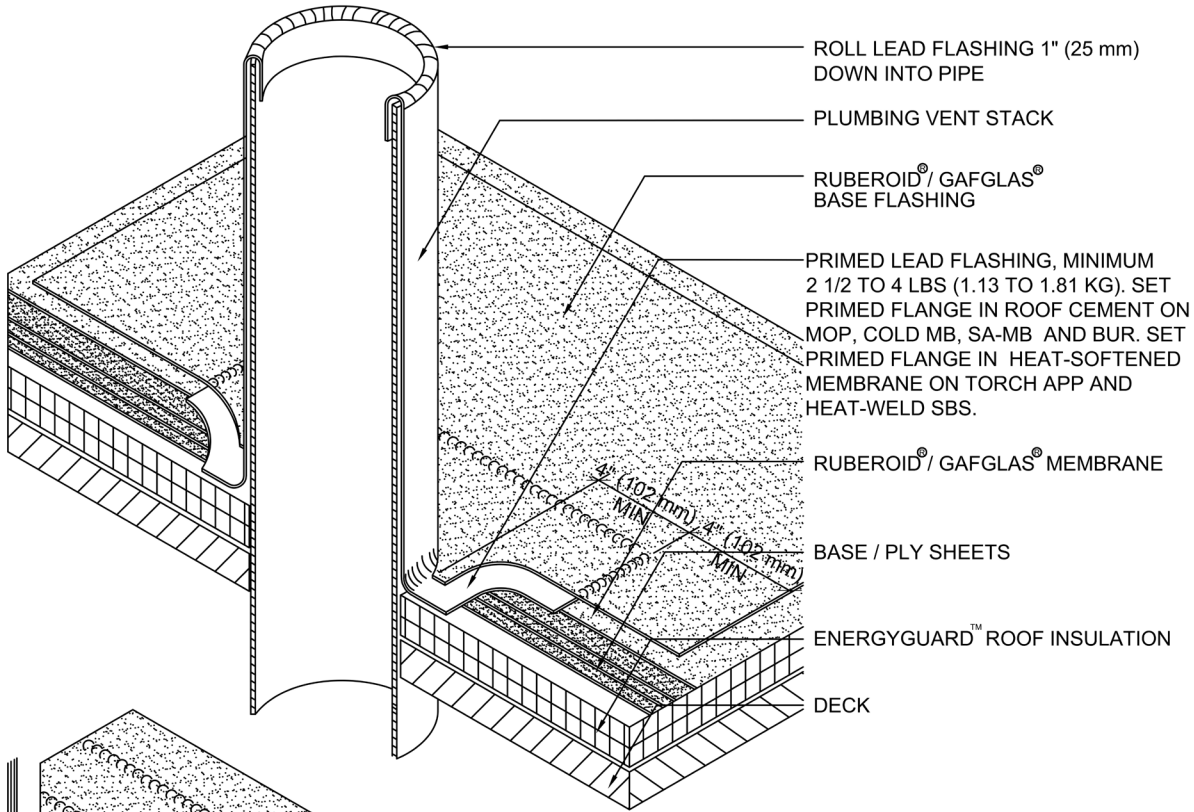
MB 14/BUR 14 – EXPANSION JOINT FLASHING DETAIL



MB 15/BUR 15 – VENT STACK FLASHING DETAIL



Flashing Details

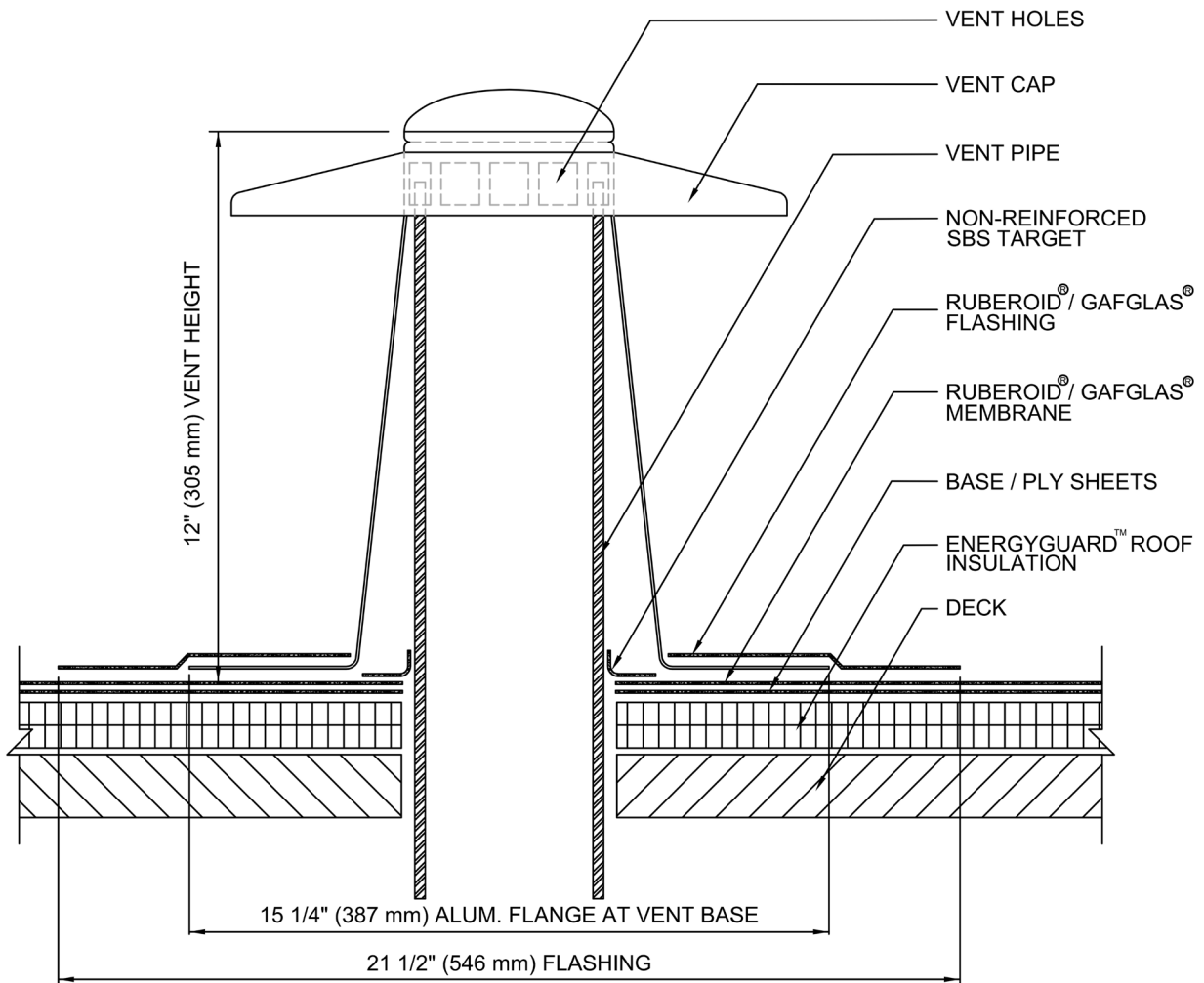


PREFERRED 2-PLY ALTERNATE

NOTE:

1. SHEET LEAD MINIMUM OF 2-1/2 (1.13 KG) POUNDS PER SQUARE FOOT.
2. MINIMUM 18" (457 mm) CLEARANCE FROM PIPES, WALLS AND CURBS.
3. FOR HEAT-WELD™ OR TORCH-APPLIED RUBEROID® MB, TORCH THE AREA OF RUBEROID® MB OVER WHICH THE METAL IS TO BE PLACED TO A MOLTEN STATE. PRESS THE PRIMED FLANGE INTO THE MODIFIED BITUMEN WHILE IT IS STILL MOLTEN.

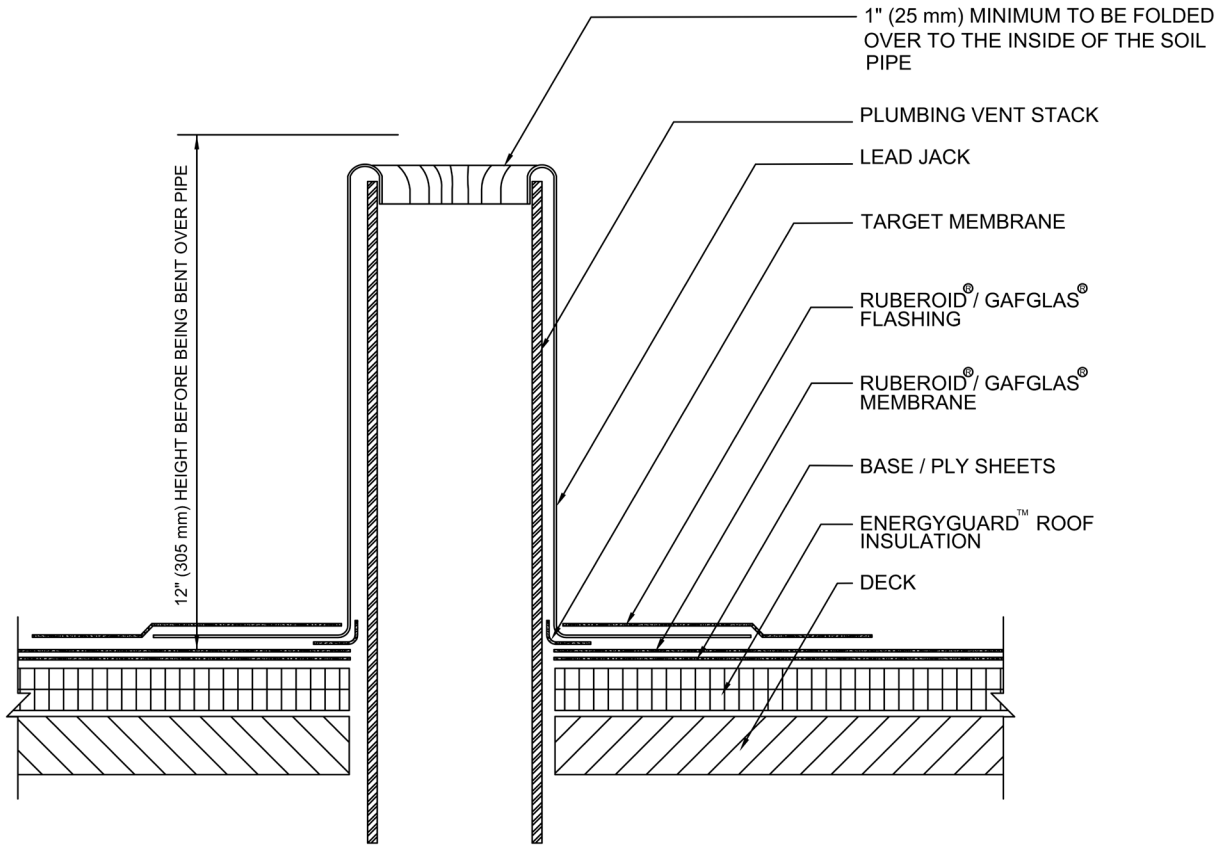
MB 16/BUR 16 – M-VENT FLASHING DETAIL



NOTE:

- 1.) NOT FOR USE OVER ACTIVE PIPES THAT EMIT STEAM OR EXCESSIVE MOISTURE VAPOR; CONDENSATION MAY OCCUR. NOT FOR USE OVER BOILER OR HEATER/FURNACE PIPES.
- 2.) M-VENTS ARE PACKAGED WITH 3 SELF-TAPPING SCREWS, USED TO SECURE CAP.

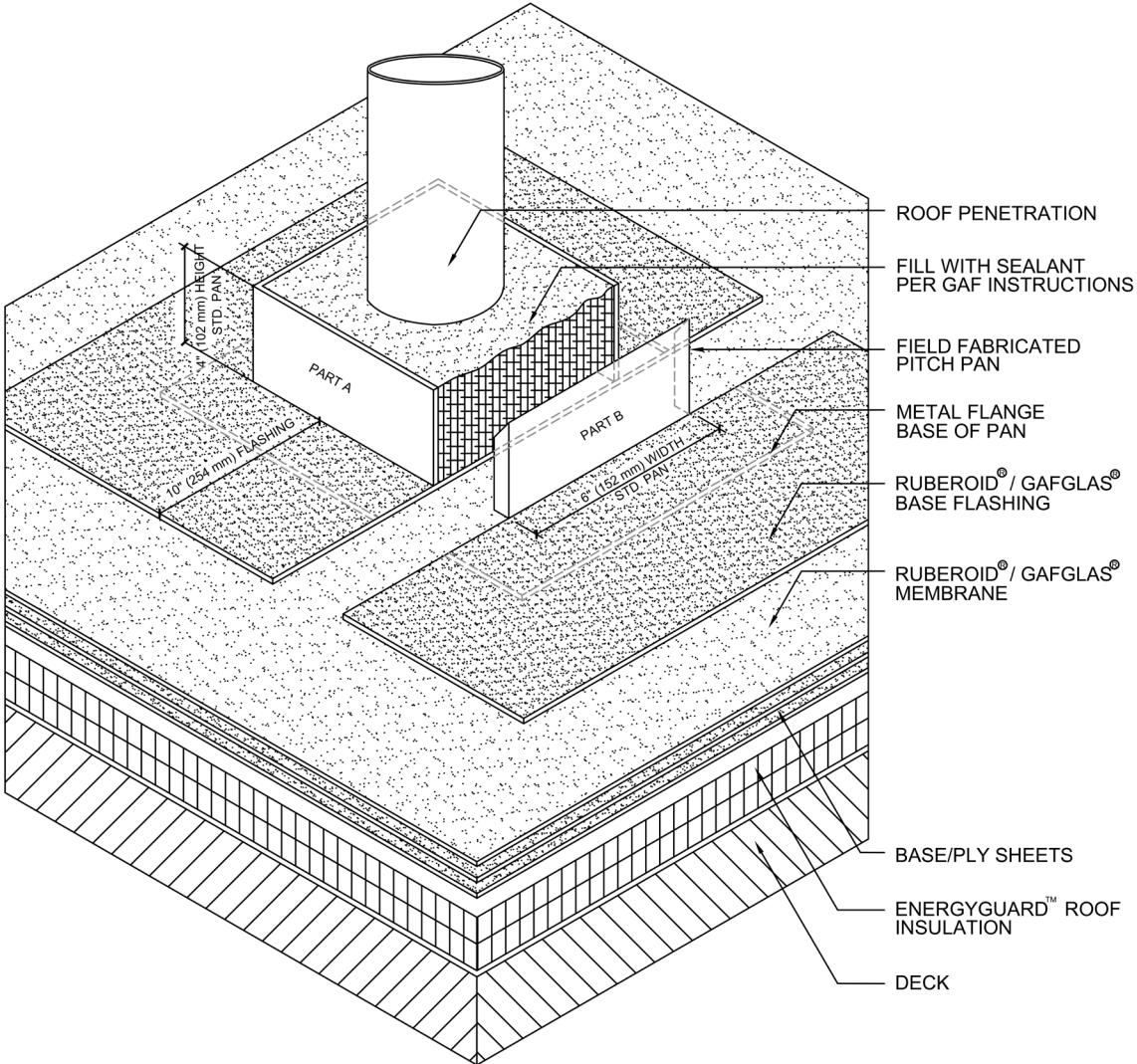
MB 17/BUR 17 – M-WELD™ PRE-FLASHED LEAD FLASHING DETAIL



NOTE:

1. SET PRIMED FLANGE IN ROOF CEMENT ON MOP MB, COLD MB, SA MB, AND BUR.
2. SET PRIMED FLANGE IN HEAT-SOFTENED MEMBRANE ON TORCH APP OR HEAT-WELD SBS SYSTEMS.

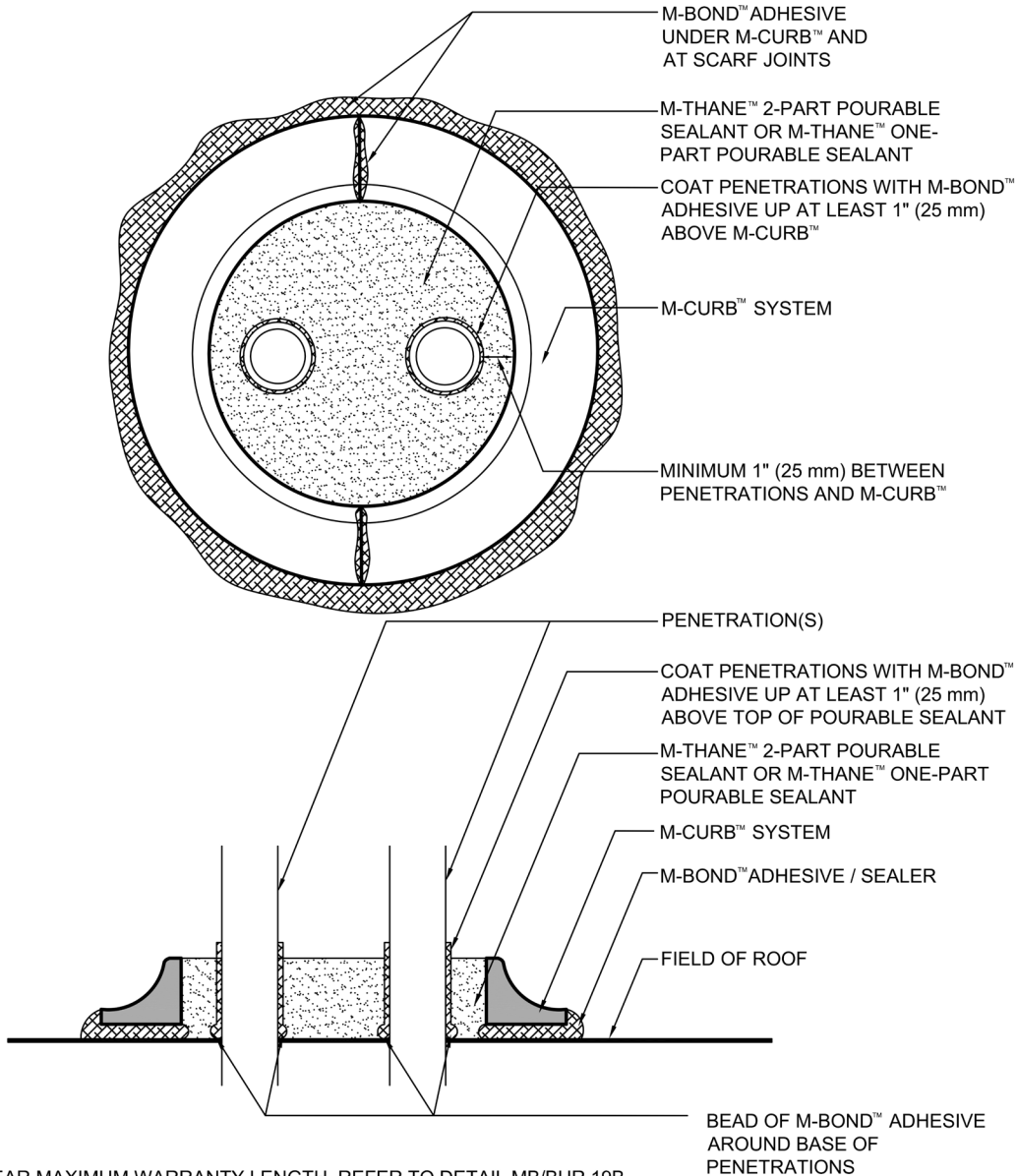
MB 18/BUR 18 – PITCH PAN FLASHING DETAIL



NOTE:

1. SET PRIMED FLANGE IN ROOF CEMENT ON MOP MB, COLD MB, SA MB, AND BUR.
2. SET PRIMED FLANGE IN HEAT-SOFTENED MEMBRANE ON TORCH APP OR HEAT-WELD SBS SYSTEMS.

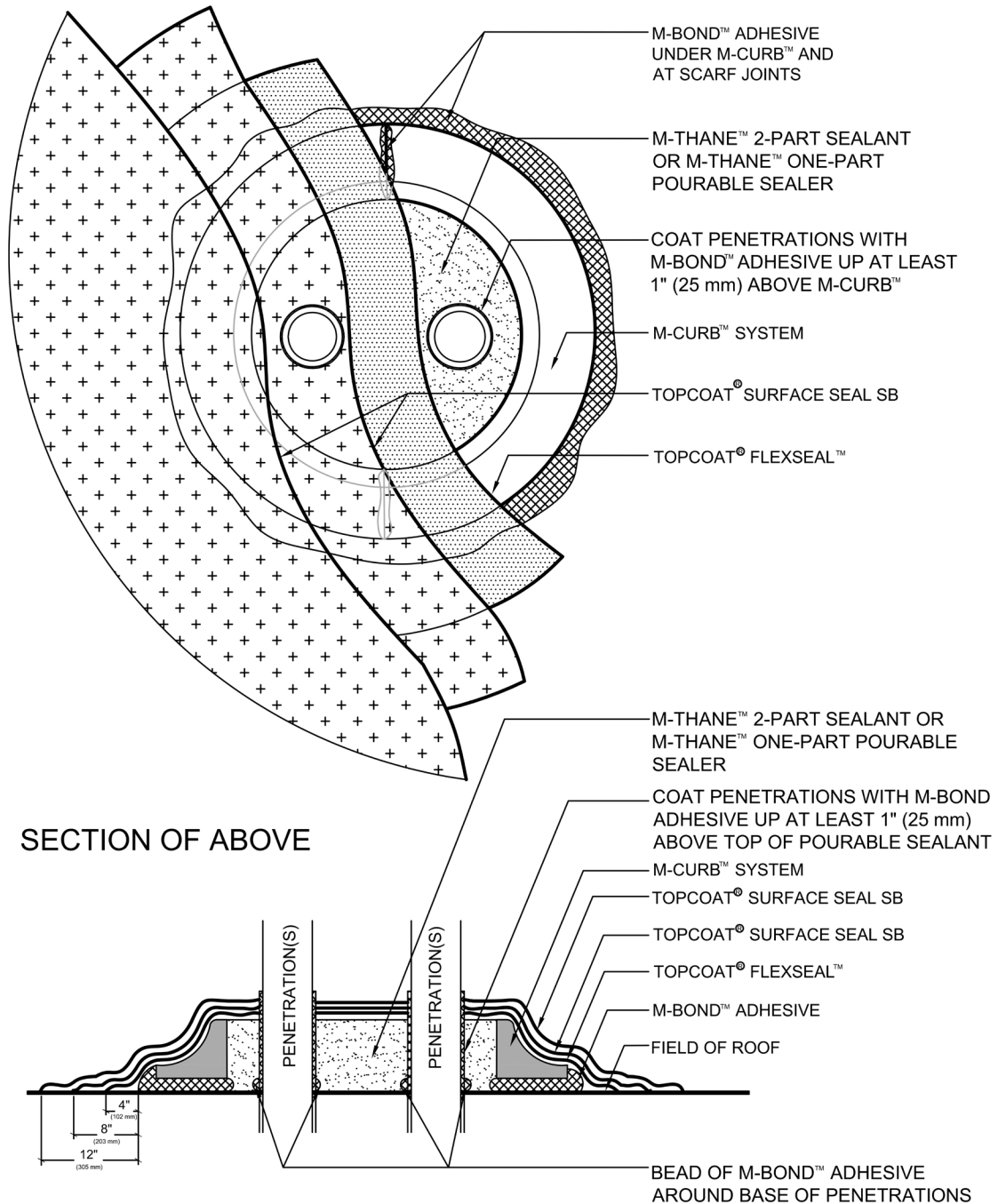
MB 19/BUR 19 – M-CURB™ FLASHING DETAIL



NOTE:

1. 10-YEAR MAXIMUM WARRANTY LENGTH. REFER TO DETAIL MB/BUR 19B FOR 20-YEAR MAXIMUM WARRANTY LENGTH.

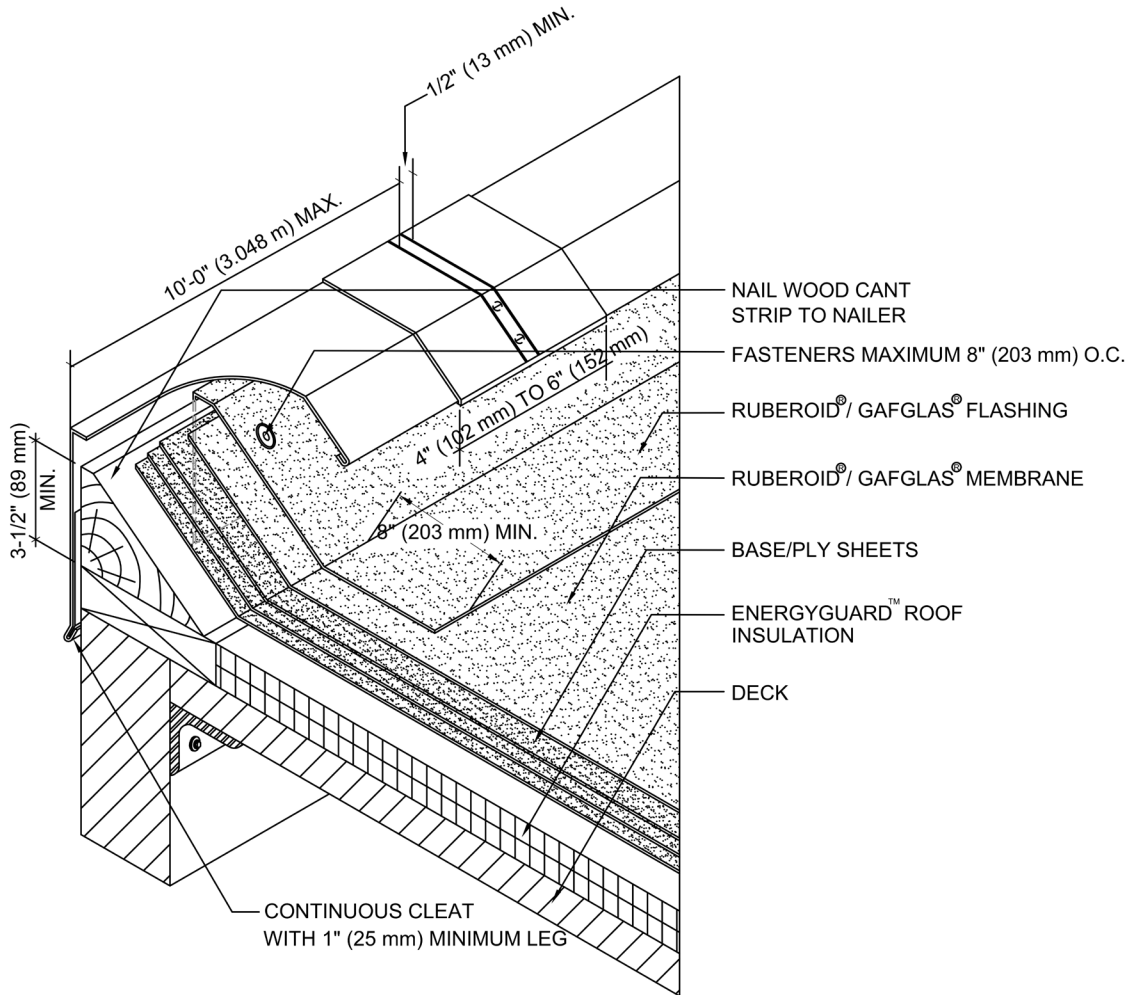
MB 19B/BUR 19B – M-CURB™ FLASHING DETAIL



NOTE:

1. 20-YEAR MAXIMUM WARRANTY LENGTH. REFER TO DETAIL MB/BUR 19 FOR 10-YEAR MAXIMUM WARRANTY LENGTH.

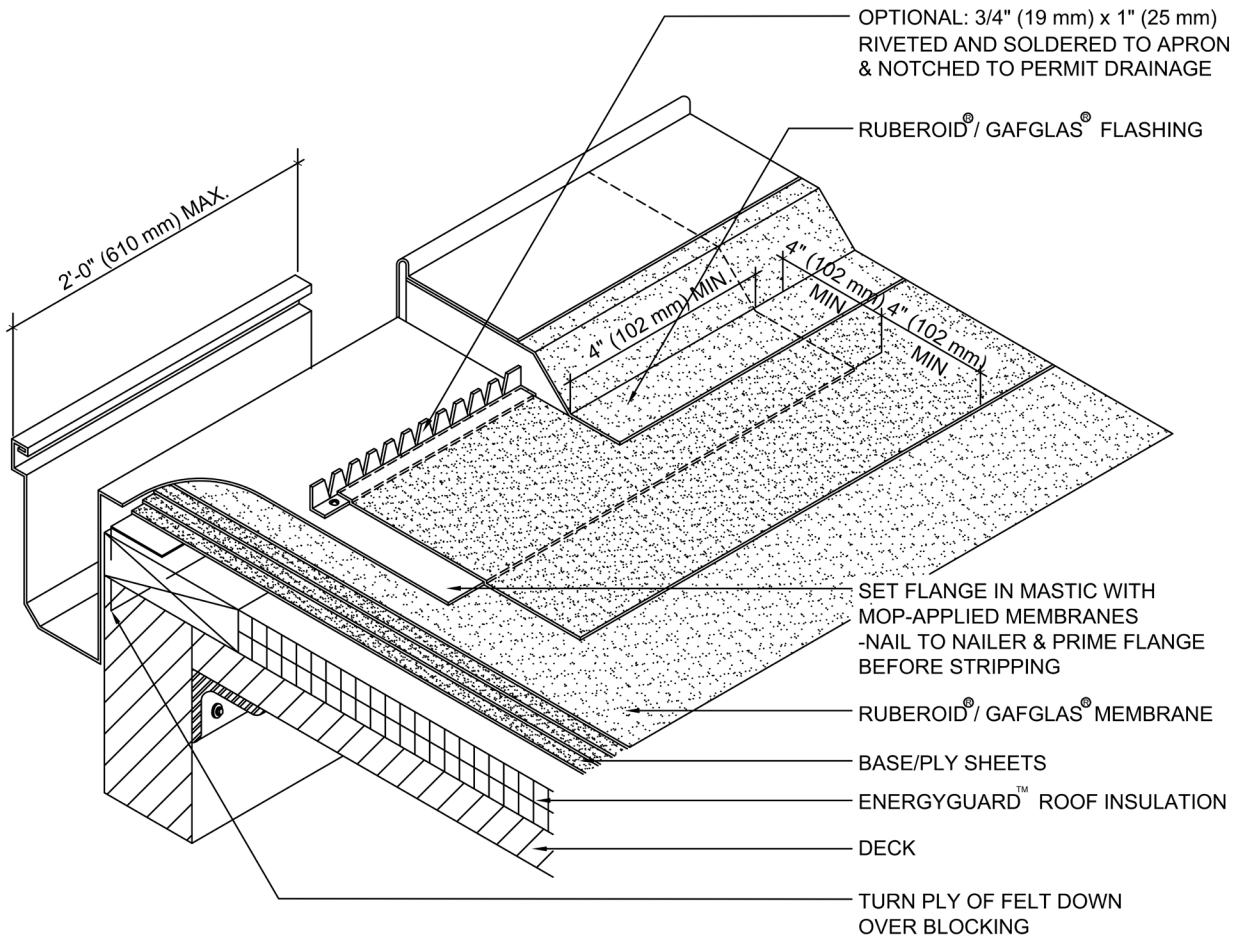
MB 20/BUR 20 – RAISED PERIMETER EDGE DETAIL WITH METAL CAP-FASCIA FLASHING



NOTE:

1. THIS DETAIL SHOULD BE USED ONLY WHERE THE DECK IS SUPPORTED BY THE OUTSIDE WALL.
2. ATTACH NAILER TO MASONRY WALL. REFER TO CURRENT FACTORY MUTUAL LOSS PREVENTION DATA SHEET 1-49.
3. WOOD NAILERS MAY BE SLOTTED FOR VENTING WHERE REQUIRED.
4. SECURE ROOF EDGE WITH TWO FASTENERS AT CENTER OF EACH SECTION AND AT COVER PLATES. APPLY ELASTOMERIC SEALANT AT ALL FASTENERS.

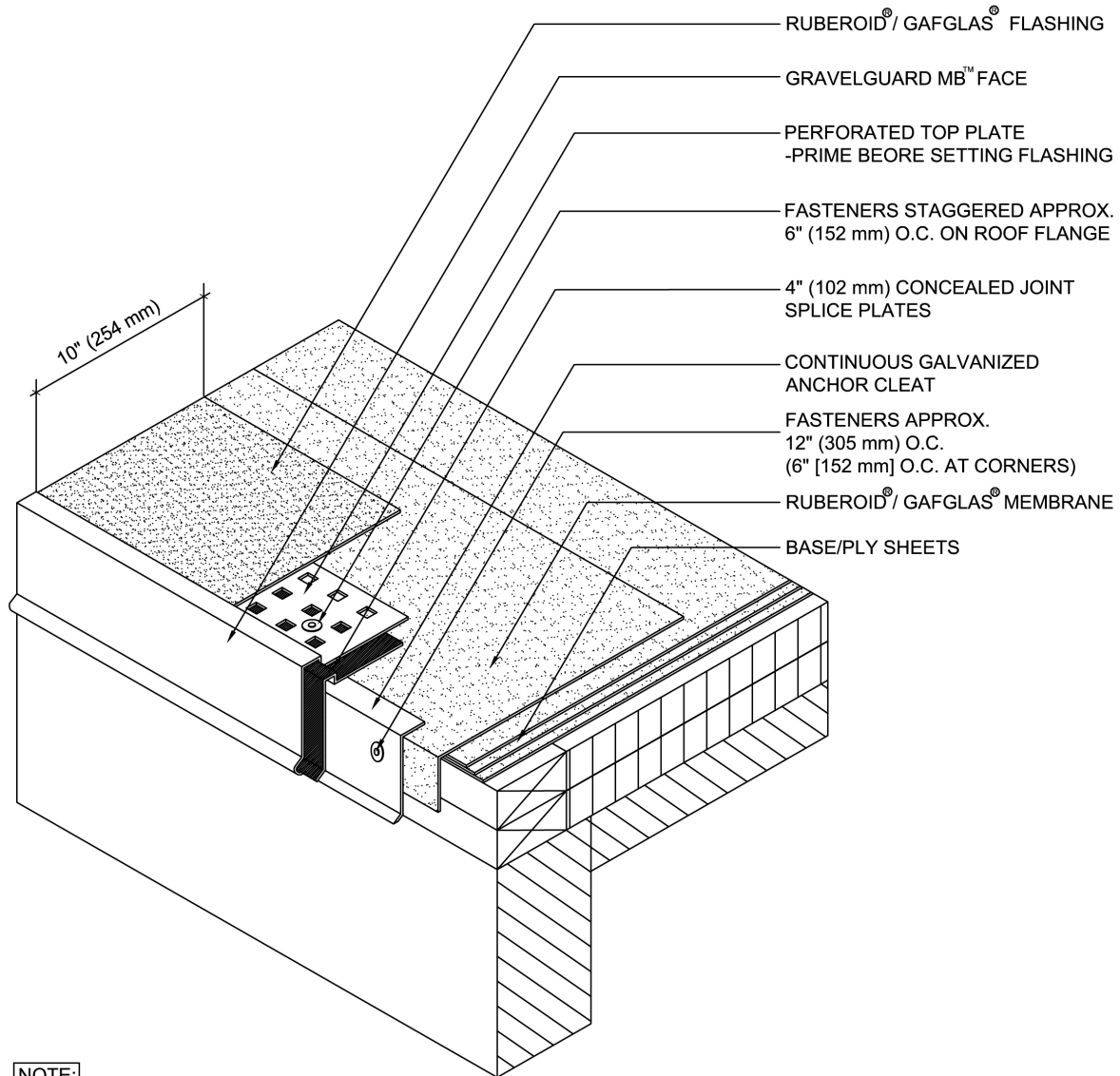
MB 21/BUR 21 – SCUPPER THROUGH ROOF EDGE DETAIL



NOTE:

1. THIS DETAIL SHOULD BE USED ONLY WHERE THE DECK IS SUPPORTED BY THE OUTSIDE WALL.
2. TO INSTALL AFTER THE BUILDING IS COMPLETED. THIS DETAIL IS USED TO RELIEVE STANDING WATER IN AREAS ALONG THE ROOF EDGE. ALL ROOF SURFACES SHOULD BE SLOPED TO DRAIN.
3. ATTACH NAILER TO MASONRY WALL. REFER TO CURRENT FACTORY MUTUAL LOSS PREVENTION DATA SHEET 1-49.
4. WOOD NAILERS MAY BE SLOTTED FOR VENTING WHERE REQUIRED.
5. FLASHING FASTENED IN ACCORDANCE WITH EDGE DETAIL MB/BUR 20.
6. DO NOT USE MASTIC WITH TORCH-APPLIED MEMBRANES. SET PRIMED FLANGE IN HEAT-SOFTENED MEMBRANE ON TORCH-APPLIED AND HW SBS SYSTEMS.

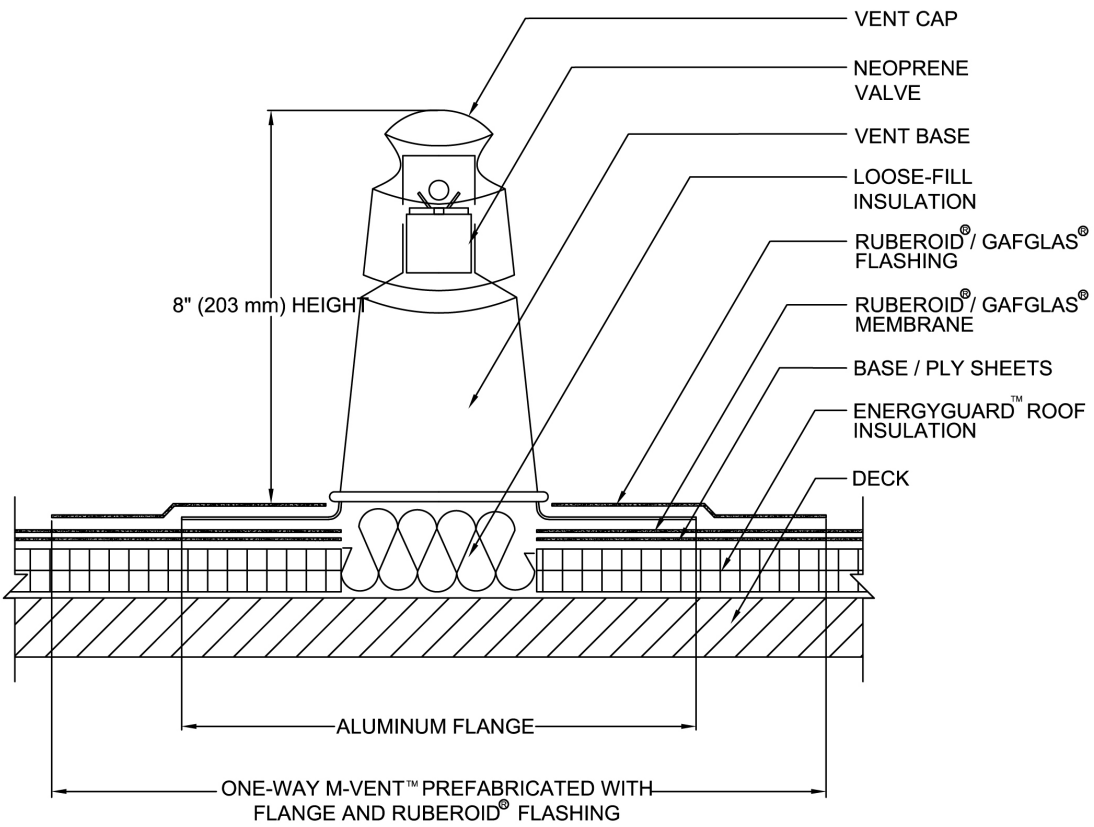
MB 22/BUR 22 – GRAVELGUARD MB™ FLASHING DETAIL



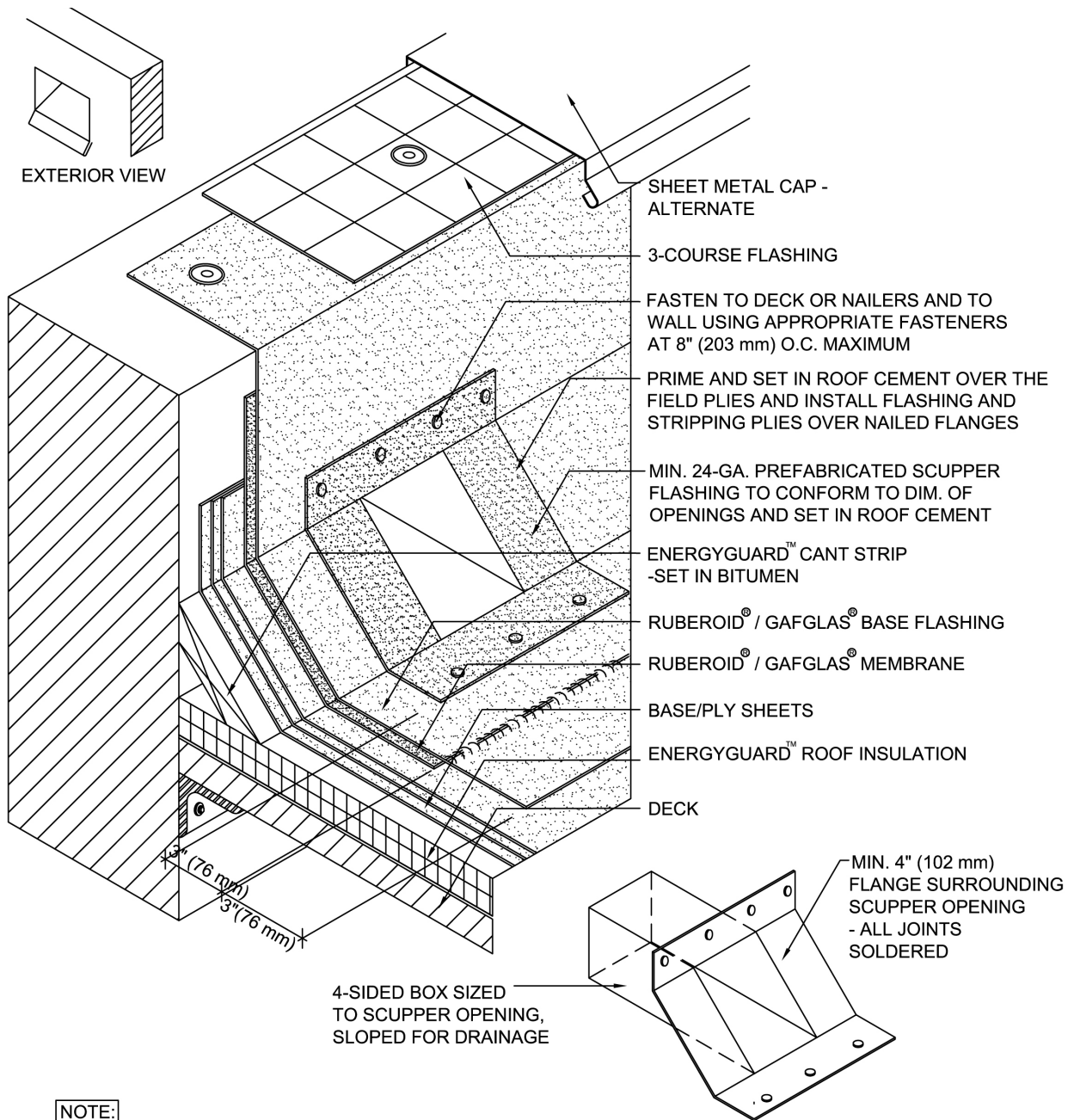
NOTE:

1. INSTALL CONTINUOUS ANCHOR CLEAT OVER THE TURNED-DOWN CAP SHEET, NAILING PER INSTRUCTIONS.
2. SET PREFABRICATED CORNER SECTIONS.
3. INSTALL FASCIA LENGTHS WITH CONCEALED JOINT-SPLICE PLATES AT ALL JOINTS.
4. PRIME PERFORATED TOP PLATE, THEN CAREFULLY SEAL THE FLASHING PLY TO THE CAP SHEET.

MB 23/BUR 23 – ONE-WAY M-VENT™ FLASHING DETAIL



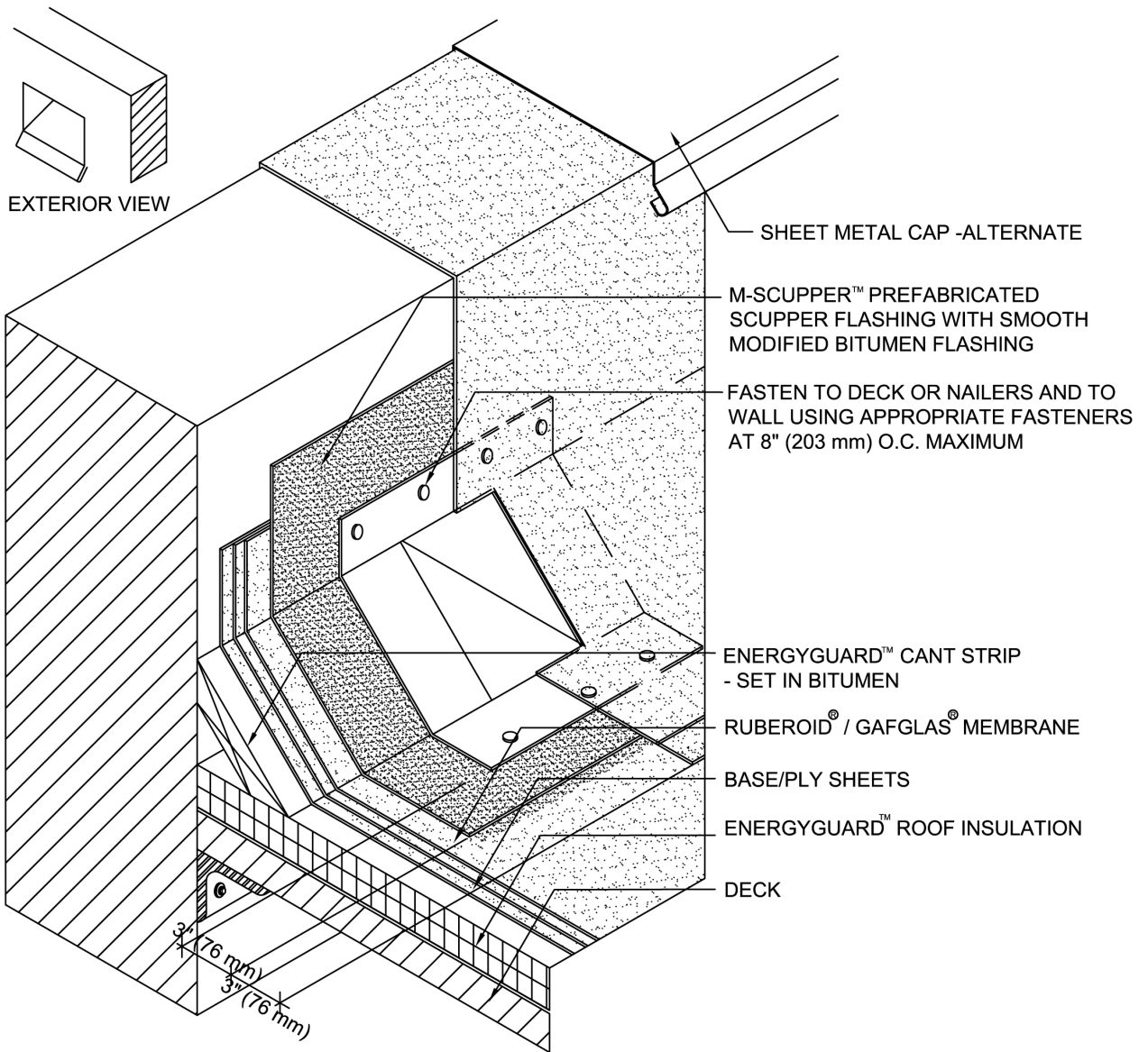
MB 24/BUR 24 – SCUPPER FLASHING DETAIL



NOTE:

1. SEE DETAIL MB/BUR 6 "HIGH PARAPET WALL" DETAIL FOR WALL FLASHING ABOVE 24" (610 mm).
2. BASE FLASHING FASTENED IN ACCORDANCE WITH WALL DETAIL USED, e.g. MB/BUR 3.
3. BASE FLASHING ON ALL 15- & 20-YEAR GUARANTEED SYSTEMS MUST HAVE A BASE PLY.

MB 25/BUR 25 – M-SCUPPER™ FLASHING DETAIL



Flashing Details

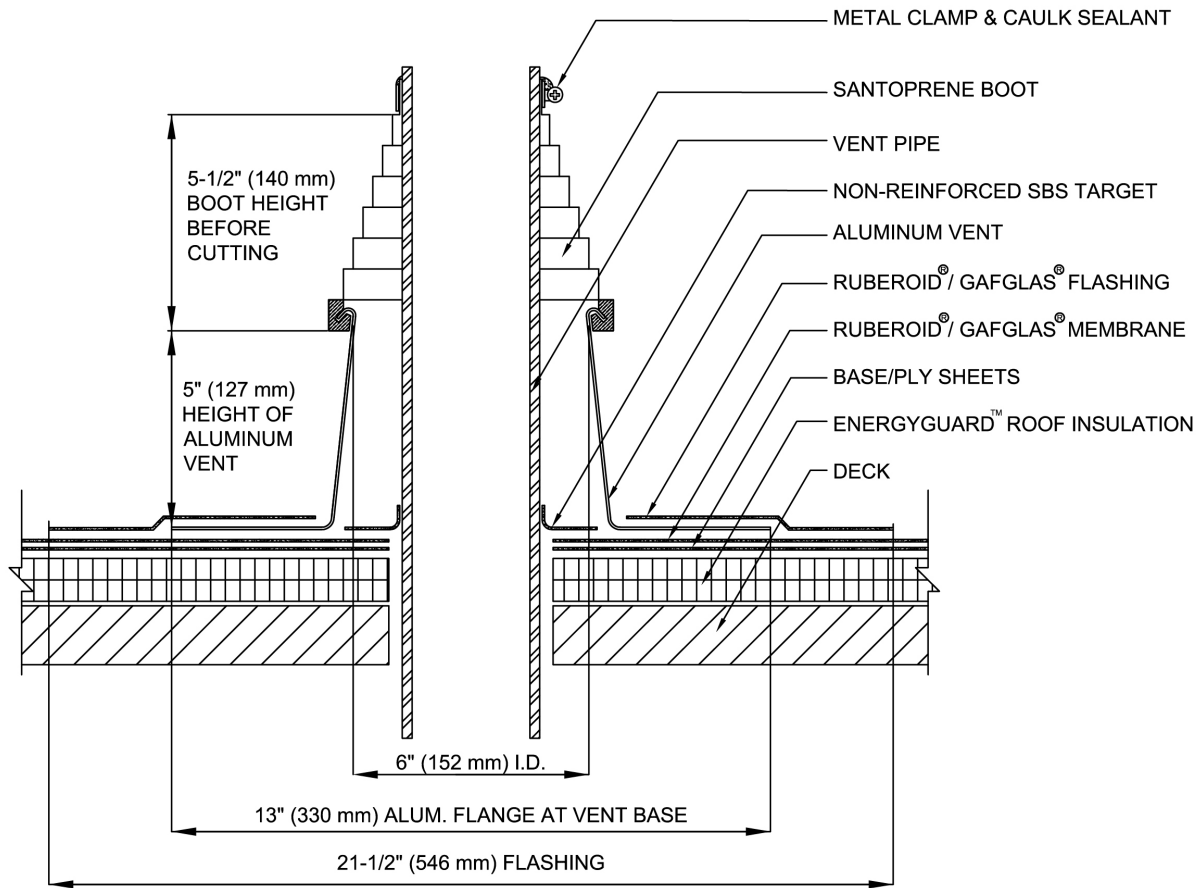
NOTE:

1. SEE DETAIL MB/BUR 6 "HIGH PARAPET WALL" DETAIL FOR WALL FLASHING ABOVE 24" (610 mm).
2. BASE FLASHING FASTENED IN ACCORDANCE WITH WALL DETAIL USED, e.g. MB/BUR 3.
3. BASE FLASHING ON ALL 15- & 20-YEAR GUARANTEED SYSTEMS MUST HAVE A BASE PLY.

MB 26/BUR 26 – ADJUSTABLE M-VENT™ FLASHING DETAIL



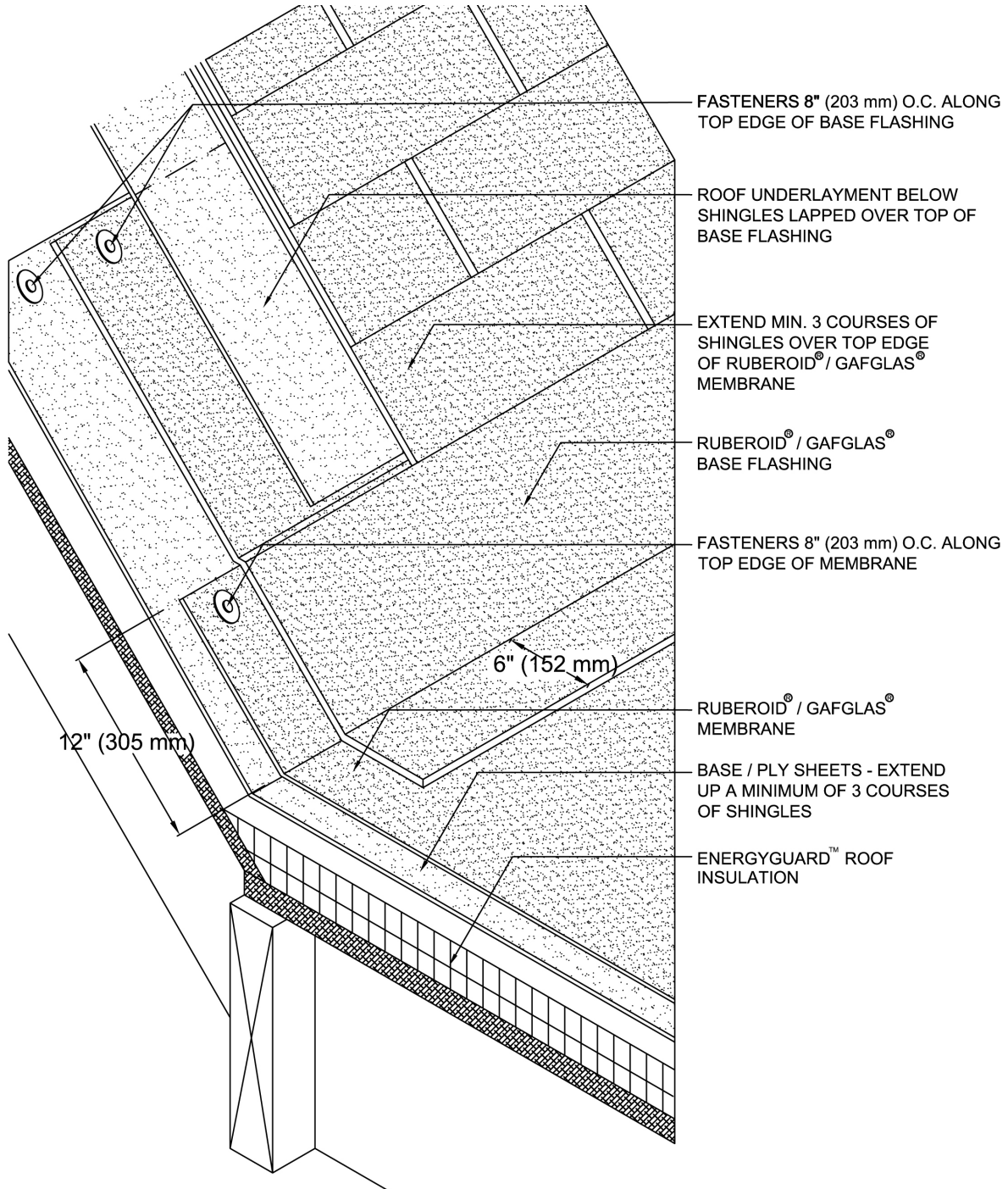
Flashing Details



NOTE:

1. VENT IS INSTALLED ON THE BASE/PLY SHEET(S) PRIOR TO INSTALLATION OF TOP MEMBRANE.
2. INSTALL METAL CLAMP AND CAULK SEALANT AT TOP OF BOOT.

MB 27/BUR 27 – LOW-SLOPE ROOF/SHINGLE TIE-IN DETAIL



FASTENERS 8" (203 mm) O.C. ALONG TOP EDGE OF BASE FLASHING

ROOF UNDERLAYMENT BELOW SHINGLES LAPPED OVER TOP OF BASE FLASHING

EXTEND MIN. 3 COURSES OF SHINGLES OVER TOP EDGE OF RUBEROID® / GAFGLAS® MEMBRANE

RUBEROID® / GAFGLAS® BASE FLASHING

FASTENERS 8" (203 mm) O.C. ALONG TOP EDGE OF MEMBRANE

6" (152 mm)

RUBEROID® / GAFGLAS® MEMBRANE

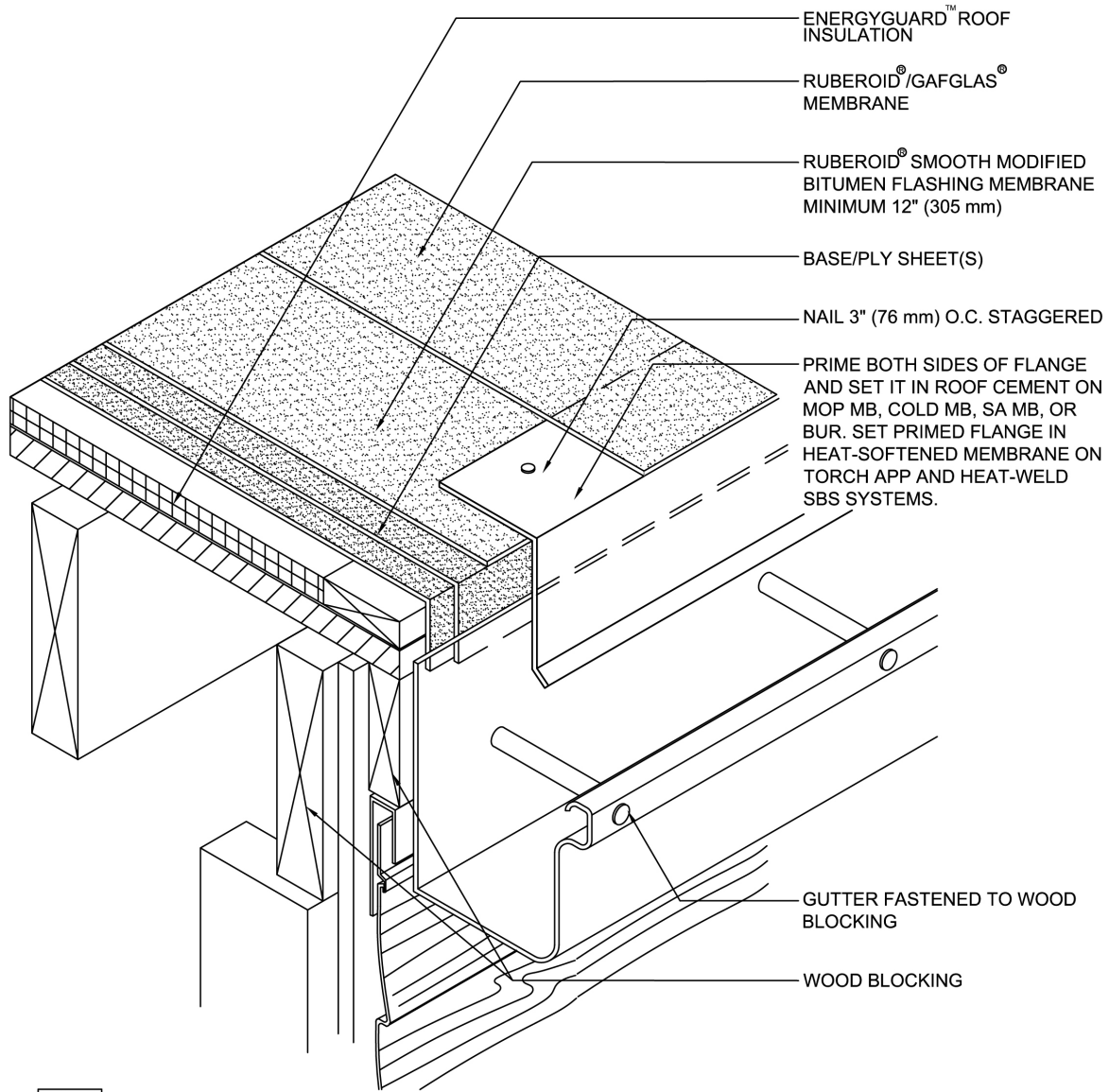
BASE / PLY SHEETS - EXTEND UP A MINIMUM OF 3 COURSES OF SHINGLES

ENERGYGUARD™ ROOF INSULATION

12" (305 mm)

Flashing Details

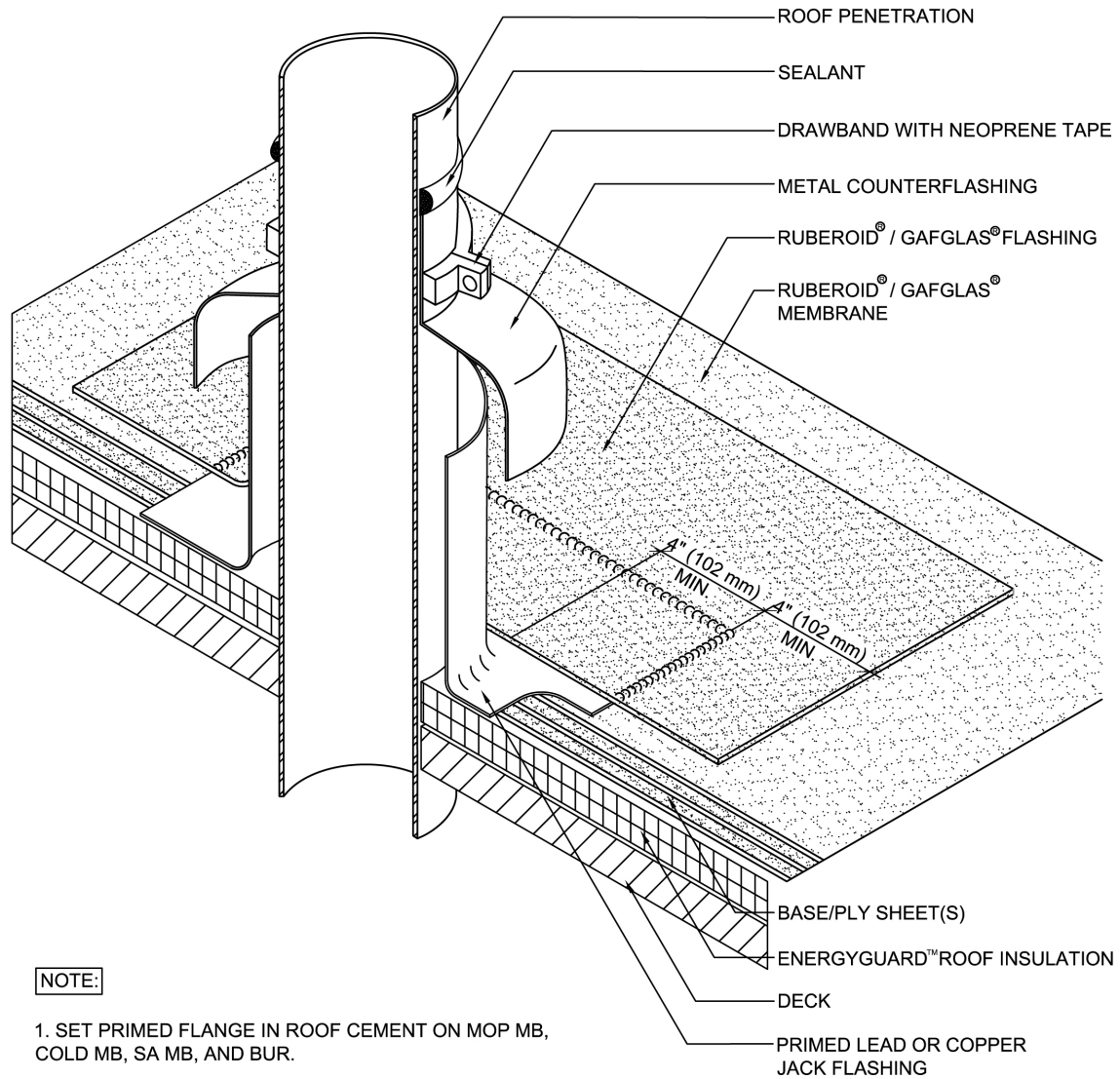
MB 28/BUR 28 – PERIMETER GUTTER DETAIL



NOTE:

1. BASE/PLY SHEET(S) TURNED OVER EDGE A MINIMUM OF 1 1/2" (38 mm) OR THICKNESS OF NAILER, WHICHEVER IS GREATER.
2. FOR DRAINAGE OVER EDGE, USE METAL WITHOUT GRAVEL STOP LIP.

MB 29/BUR 29 – ALTERNATE ROOF PENETRATION FLASHING DETAIL



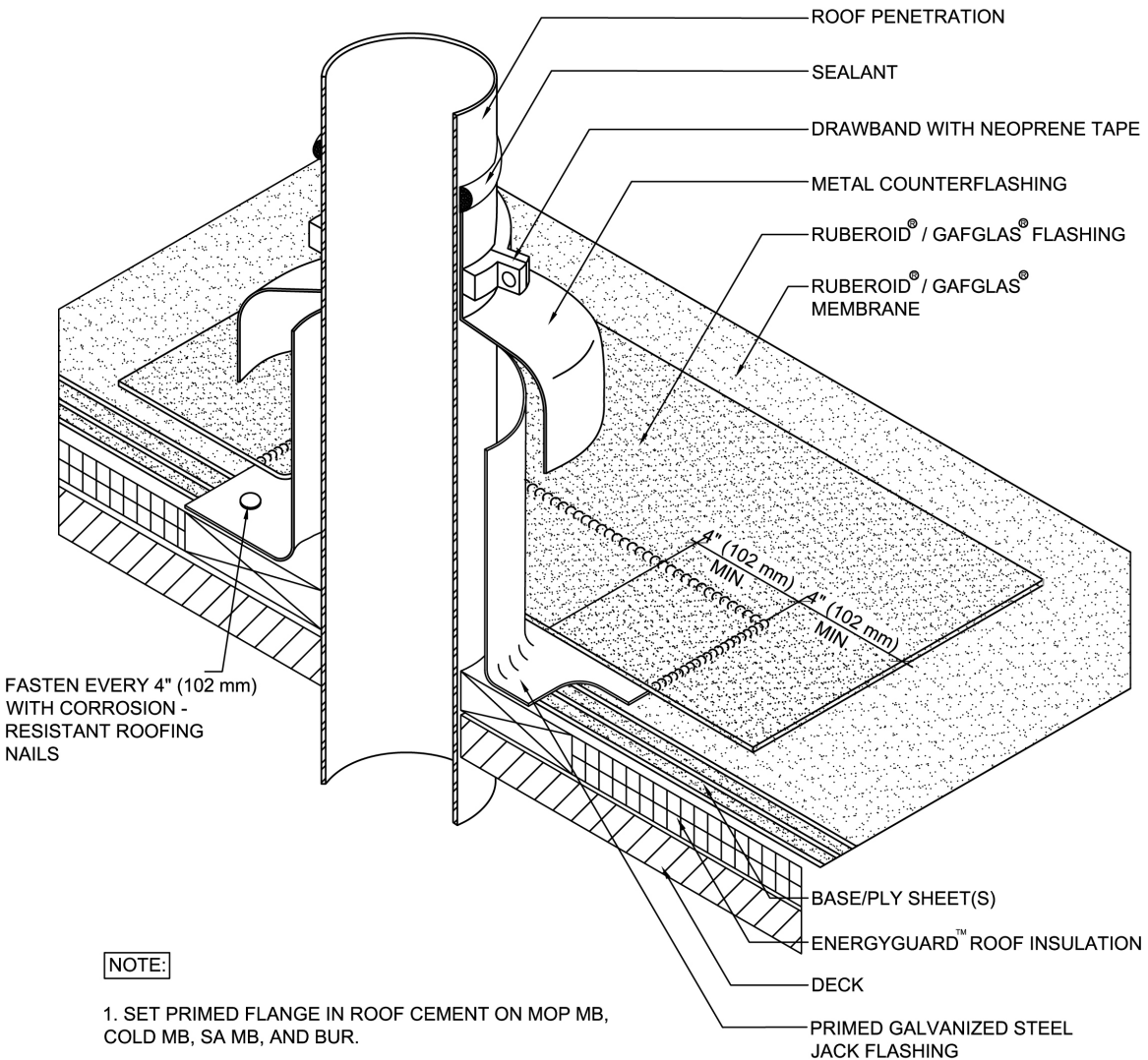
NOTE:

1. SET PRIMED FLANGE IN ROOF CEMENT ON MOP MB, COLD MB, SA MB, AND BUR.
2. SET PRIMED FLANGE IN HEAT-SOFTENED MEMBRANE ON TORCH APP OR HEAT-WELD SBS SYSTEMS.

MB 30/BUR 30 – ALTERNATE ROOF PENETRATION FLASHING DETAIL WITH GALVANIZED METAL JACK



Flashing Details

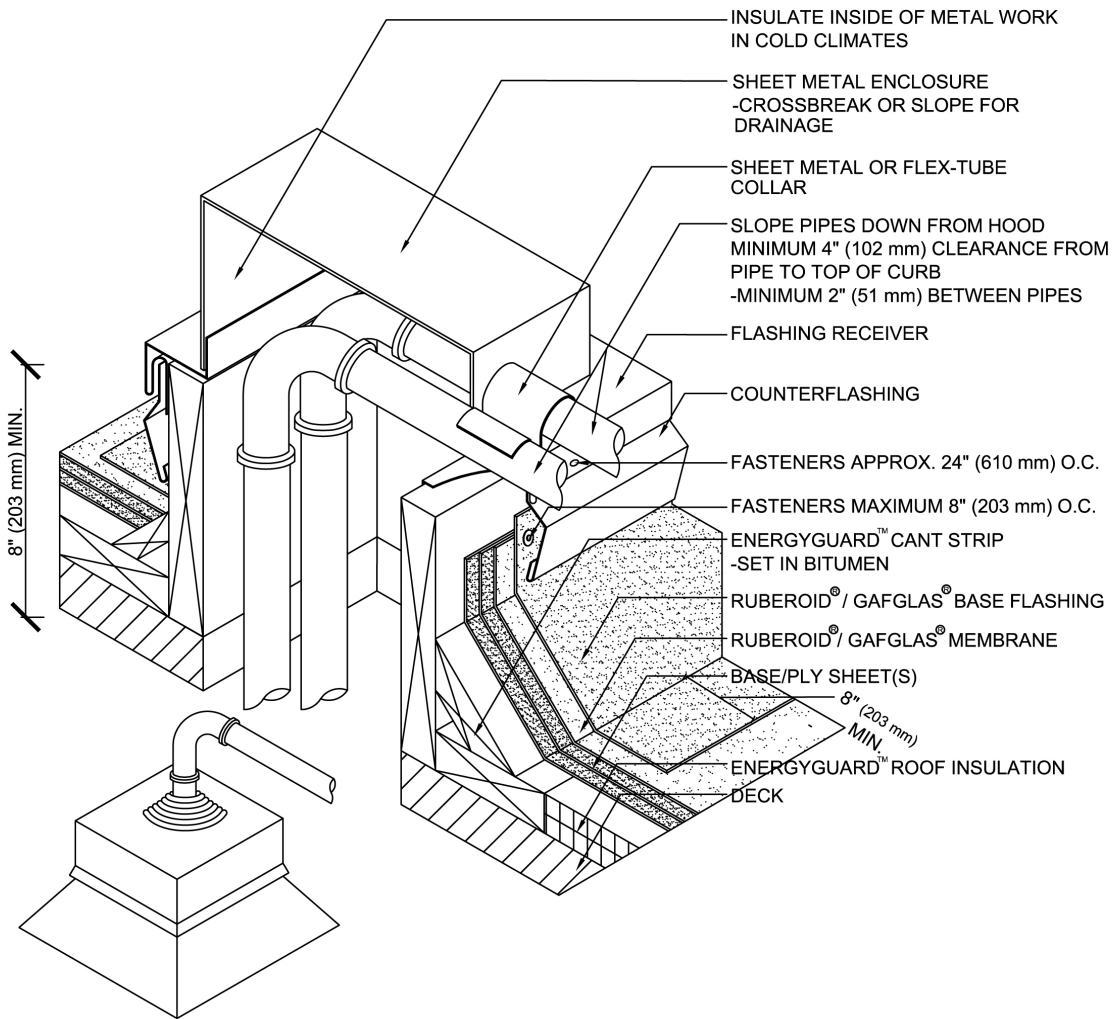


FASTEN EVERY 4" (102 mm)
WITH CORROSION -
RESISTANT ROOFING
NAILS

NOTE:

1. SET PRIMED FLANGE IN ROOF CEMENT ON MOP MB, COLD MB, SA MB, AND BUR.
2. SET PRIMED FLANGE IN HEAT-SOFTENED MEMBRANE ON TORCH APP OR HEAT-WELD SBS SYSTEMS.

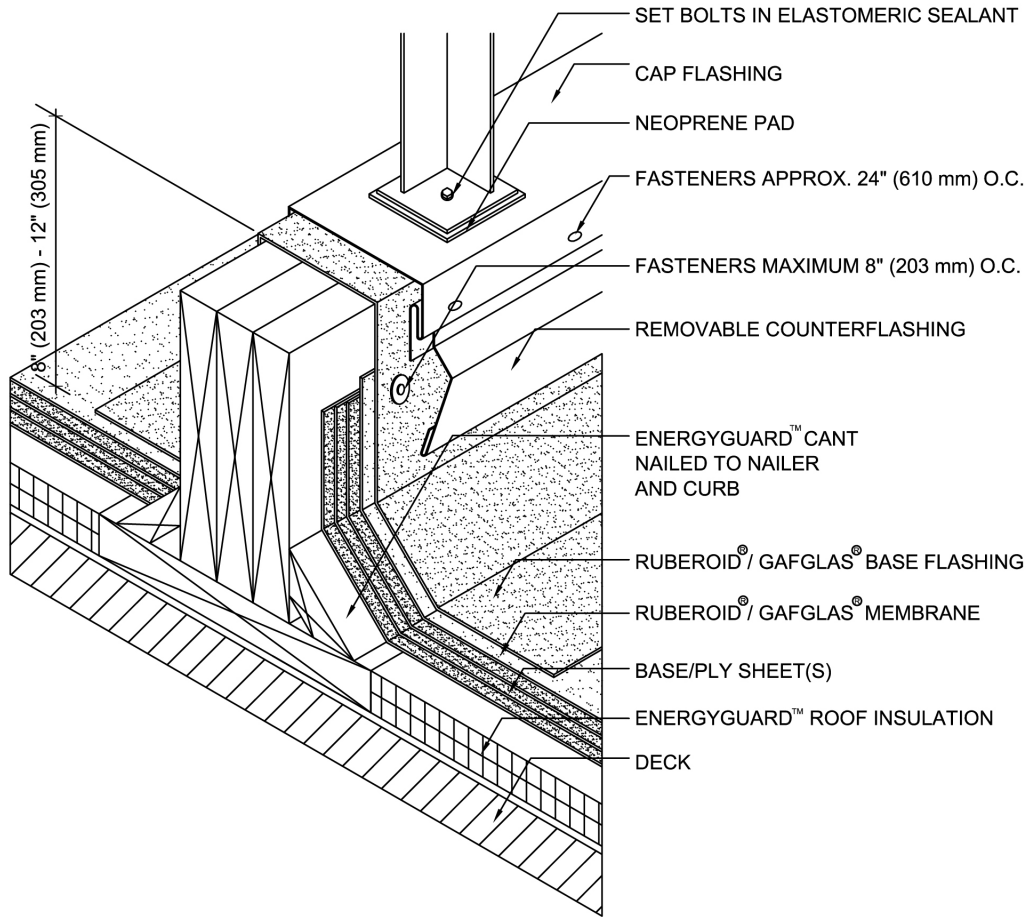
MB 31/BUR 31 – PIPING THROUGH ROOF DECK DETAIL



NOTE:

1. THIS DETAIL ILLUSTRATES ANOTHER METHOD OF ELIMINATING PITCH POCKETS AND A SATISFACTORY METHOD OF GROUPING PIPING THAT MUST COME UP ABOVE THE ROOF SURFACE.
2. THIS HOOD DETAIL DEPICTS JOB-SITE FABRICATED CONSTRUCTION. MANY MANUFACTURERS OFFER PREFABRICATED BOOTS AND OTHER MATERIALS FOR THIS PURPOSE. ONE TYPICAL CONFIGURATION IS SHOWN IN THE INSET. SPECIFICS ON THESE PROPRIETARY DESIGNS VARY GREATLY, AND INDIVIDUAL MANUFACTURER'S SPECIFICATIONS SHOULD BE CONSULTED FOR THEIR USE.
3. BASE FLASHINGS ON ALL 15- & 20-YEAR GUARANTEED SYSTEMS MUST HAVE A BASE PLY.

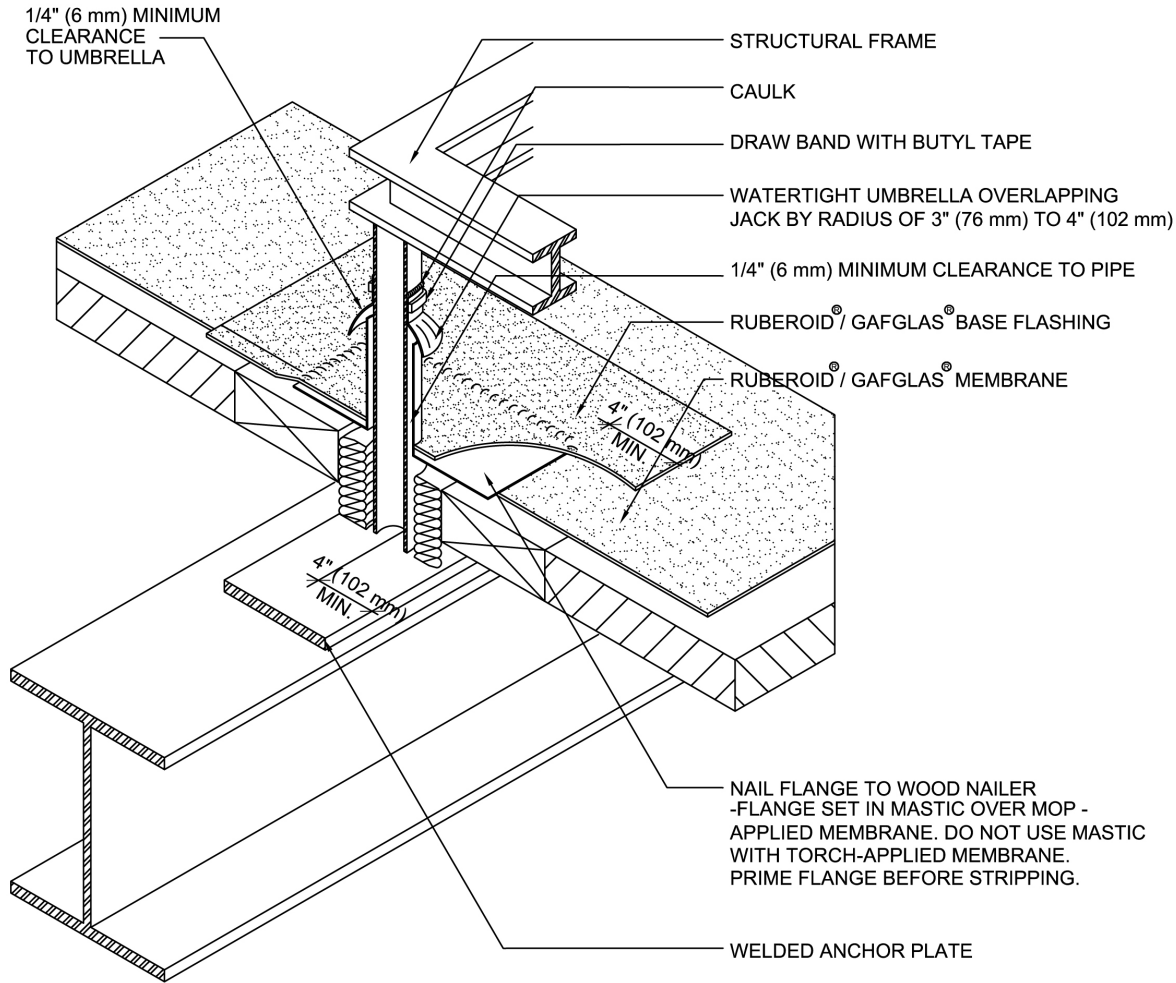
MB 32/BUR 32 – EQUIPMENT OR SIGN SUPPORT DETAIL



NOTE:

1. THIS DETAIL ALLOWS FOR ROOF MAINTENANCE AROUND THE EQUIPMENT SIGN. THE CONTINUOUS SUPPORT IS PREFERRED IN LIGHTWEIGHT ROOF SYSTEMS BECAUSE THE EQUIPMENT WEIGHT CAN BE SPREAD OVER TWO OR MORE SUPPORTING MEMBERS. CLEARANCE MUST BE PROVIDED FOR REMOVAL AND REPLACEMENT OF ROOFING AND FLASHING BETWEEN PARALLEL SUPPORTS.
2. BASE FLASHING ON ALL 15- & 20-YEAR GUARANTEE SYSTEMS MUST HAVE A BASE PLY. REFER TO FLASHING MEMBRANE APPLICATION AND FLASHING SPECIFICATION PLATE SYSTEMS.

MB 33/BUR 33 – MECHANICAL EQUIPMENT STAND DETAIL



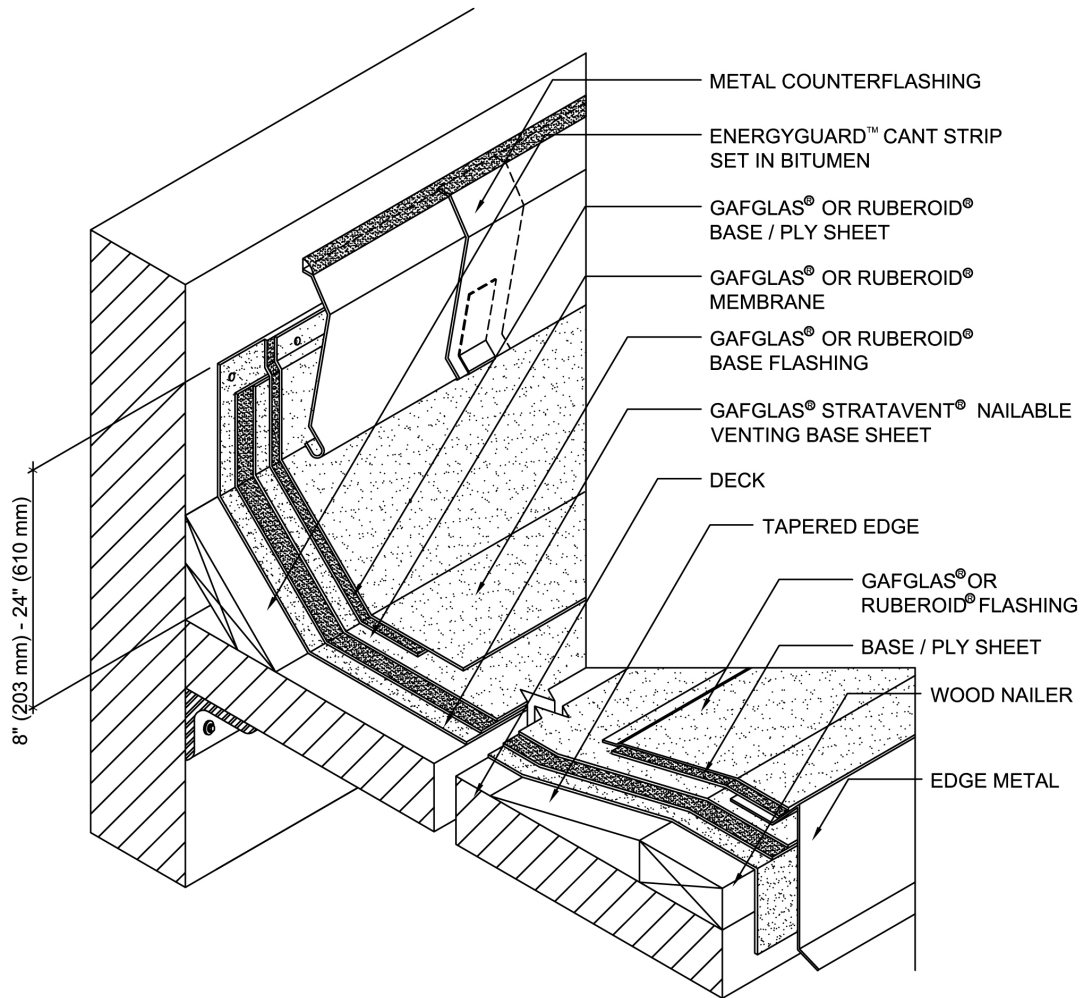
NOTE:

1. THIS DETAIL SHOULD BE USED WHEN A CONCENTRATED LOAD CAN BE LOCATED DIRECTLY OVER COLUMNS OR HEAVY GIRDERS IN THE STRUCTURE OF THE BUILDING. THIS DETAIL CAN BE ADAPTED FOR OTHER USES, SUCH AS SIGN SUPPORTS.

MB 34/ BUR 34 – GAFGLAS® STRATAVENT® NAILABLE VENTING BASE SHEET DETAIL, NEW ROOFING – NAILABLE DECK



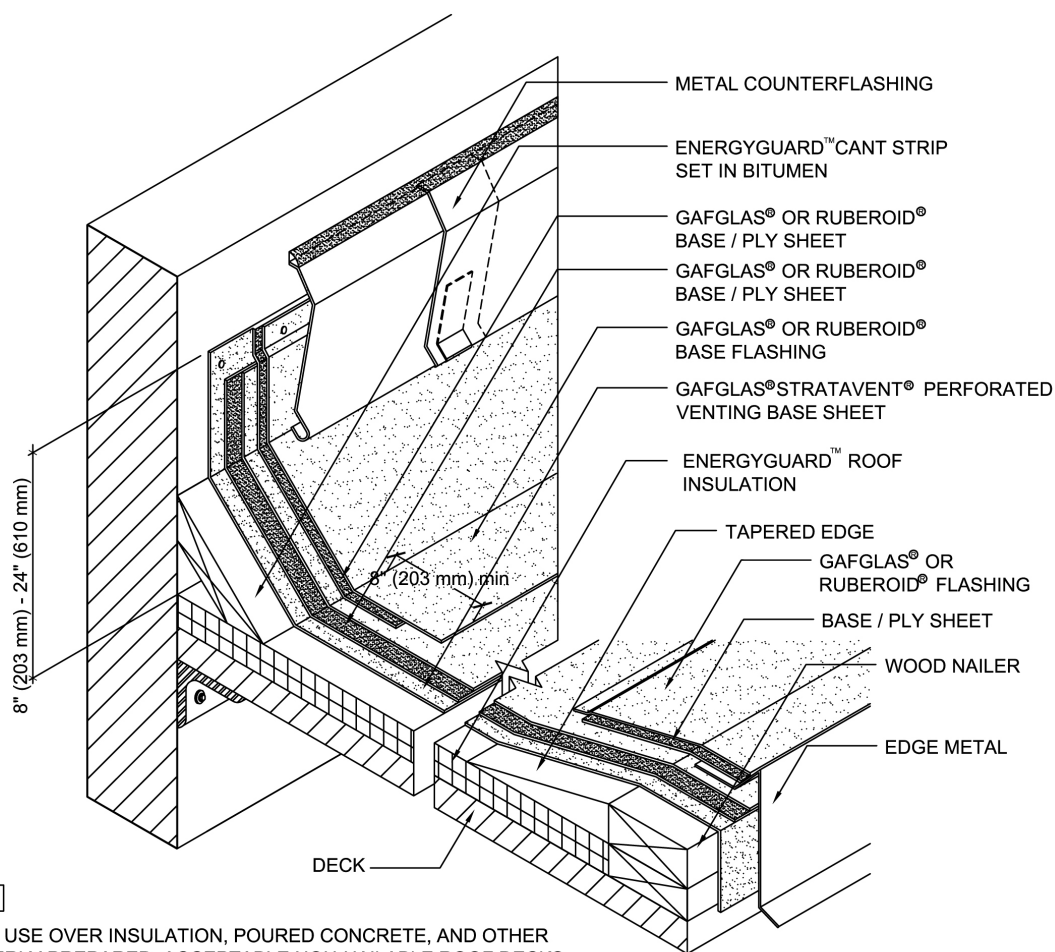
Flashing Details



NOTE:

1. FOR USE OVER LIGHTWEIGHT INSULATING CONCRETE, POURED GYPSUM, WOOD, AND OTHER ACCEPTABLE NAILABLE DECKS AND FILLS WITHOUT INSULATION.
2. WHEN THE MINIMUM DIMENSION OF THE ROOF EXCEEDS 60 FEET (18.3 M), TOP SIDE FIELD VENTING SHOULD BE USED IN ADDITION TO THE EDGE AND PARAPET WALL VENTING. ROOF VENTS ARE TO BE APPLIED AT THE RATE OF ONE VENT PER 1,000 SQUARE FEET (9.29 SQ. M) OF ROOF AREA.
3. REFER TO MB/BUR SYSTEMS INSTALLATION REQUIREMENT SECTION.
4. FASTENER TYPE AND SPACING AS APPROPRIATE FOR DECK TYPE AND UPLIFT.

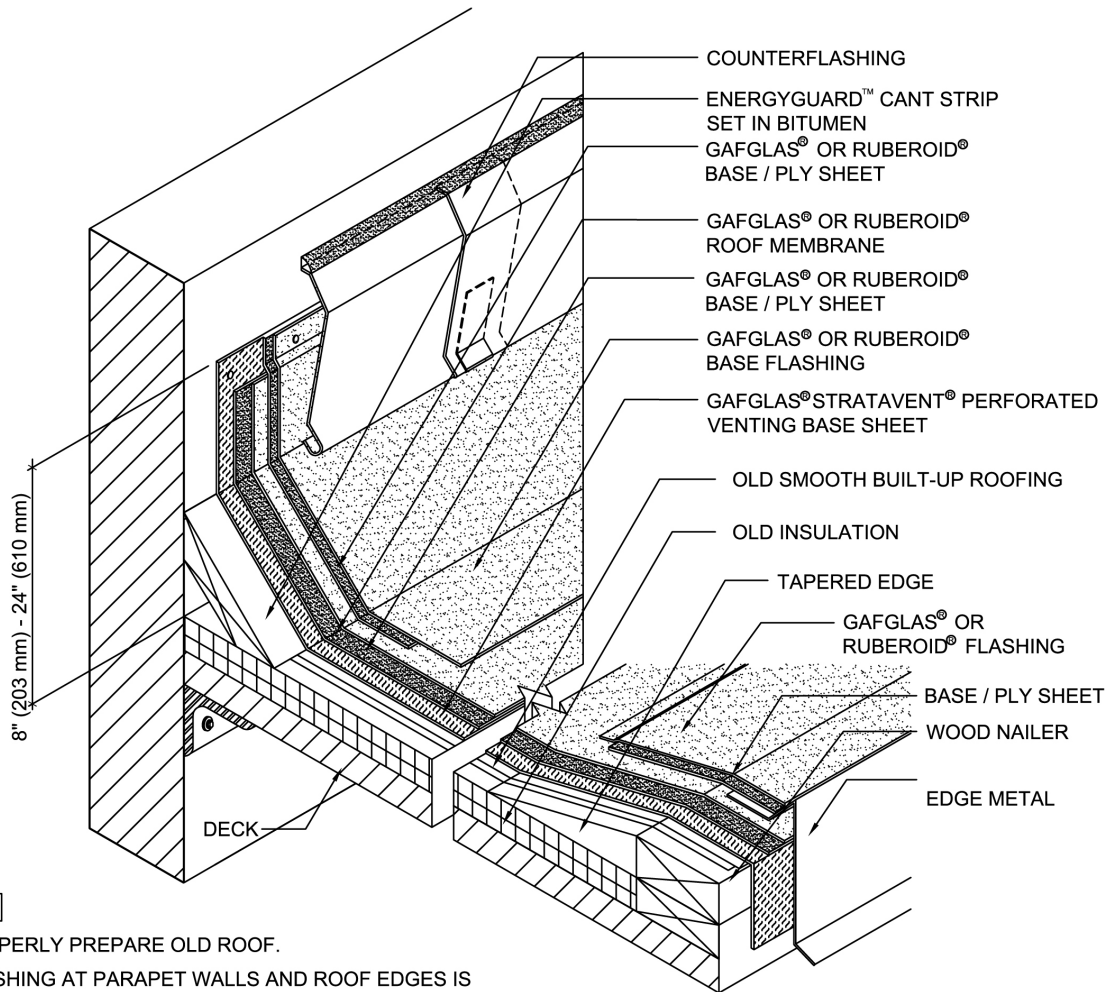
MB 35/BUR 35 – GAFGLAS® STRATAVENT® PERFORATED VENTING BASE SHEET DETAIL, NEW ROOFING – NON-NAILABLE DECK



NOTE:

1. FOR USE OVER INSULATION, POURED CONCRETE, AND OTHER PROPERLY PREPARED, ACCEPTABLE NON-NAILABLE ROOF DECKS.
2. DO NOT APPLY RUBEROID® TORCH OR RUBEROID®HEAT-WELD MEMBRANES DIRECTLY TO GAFGLAS® STRATAVENT® PERFORATED VENTING BASE SHEET. AT LEAST ONE PLY OF GAFGLAS® #75 BASE SHEET OR 2 PLIES OF GAFGLAS® PLY SHEETS MUST BE HOT-MOPPED OVER GAFGLAS® STRATAVENT®PERFORATED VENTING BASE SHEET BEFORE TORCH-APPLYING RUBEROID®MEMBRANES.
3. REFER TO MB/BUR SYSTEMS INSTALLATION REQUIREMENT SECTION.
4. WHEN THE MINIMUM DIMENSION OF THE ROOF EXCEEDS 60 FEET (18.3 M), TOP SIDE FIELD VENTING SHOULD BE USED IN ADDITION TO THE EDGE AND PARAPET WALL VENTING. ROOF VENTS ARE TO BE APPLIED AT THE RATE OF ONE VENT PER 1,000 SQUARE FT. (9.29 SQUARE M) OF ROOF AREA.

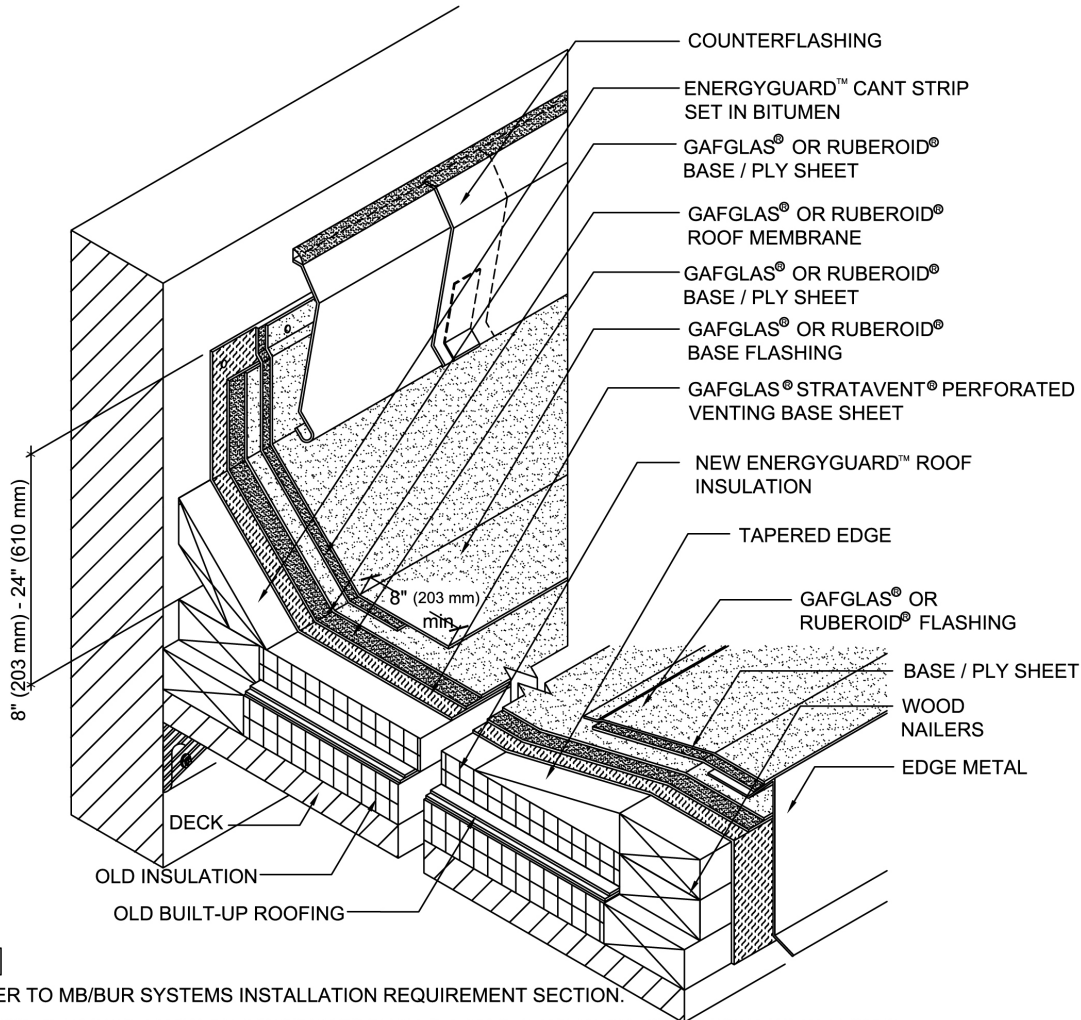
MB 36/BUR 36 – GAFGLAS® STRATAVENT® PERFORATED VENTING BASE SHEET DETAIL, RE-COVER WITHOUT NEW INSULATION



NOTE:

1. PROPERLY PREPARE OLD ROOF.
2. FLASHING AT PARAPET WALLS AND ROOF EDGES IS HANDLED IN THE SAME MANNER AS FOR NEW ROOF CONSTRUCTION. OLD FLASHINGS AND METAL EDGE STRIPS MUST BE COMPLETELY REMOVED AND NEW FLASHING AND METAL EDGE STRIPS INSTALLED.
3. DO NOT APPLY RUBEROID® TORCH OR RUBEROID® HEAT-WELD MEMBRANES DIRECTLY TO GAFGLAS® STRATAVENT® PERFORATED VENTING BASE SHEET. AT LEAST ONE PLY OF GAFGLAS® #75 BASE SHEET OR 2 PLIES OF GAFGLAS® PLY SHEETS MUST BE HOT-MOPPED OVER GAFGLAS® STRATAVENT® PERFORATED VENTING BASE SHEET BEFORE TORCH-APPLYING RUBEROID® MEMBRANES.
4. REFER TO MB/BUR SYSTEMS INSTALLATION REQUIREMENT SECTION.
5. WHEN THE MINIMUM DIMENSION OF THE ROOF EXCEEDS 60 FEET (18.3 M), TOP SIDE FIELD VENTING SHOULD BE USED IN ADDITION TO THE EDGE AND PARAPET WALL VENTING. ROOF VENTS ARE TO BE APPLIED AT THE RATE OF ONE VENT PER 1,000 SQUARE FEET (9.29 SQ. M.) OF ROOF AREA.

MB 37/BUR 37 – GAFGLAS® STRATAVENT® PERFORATED VENTING BASE SHEET DETAIL, RE-COVER WITH NEW INSULATION



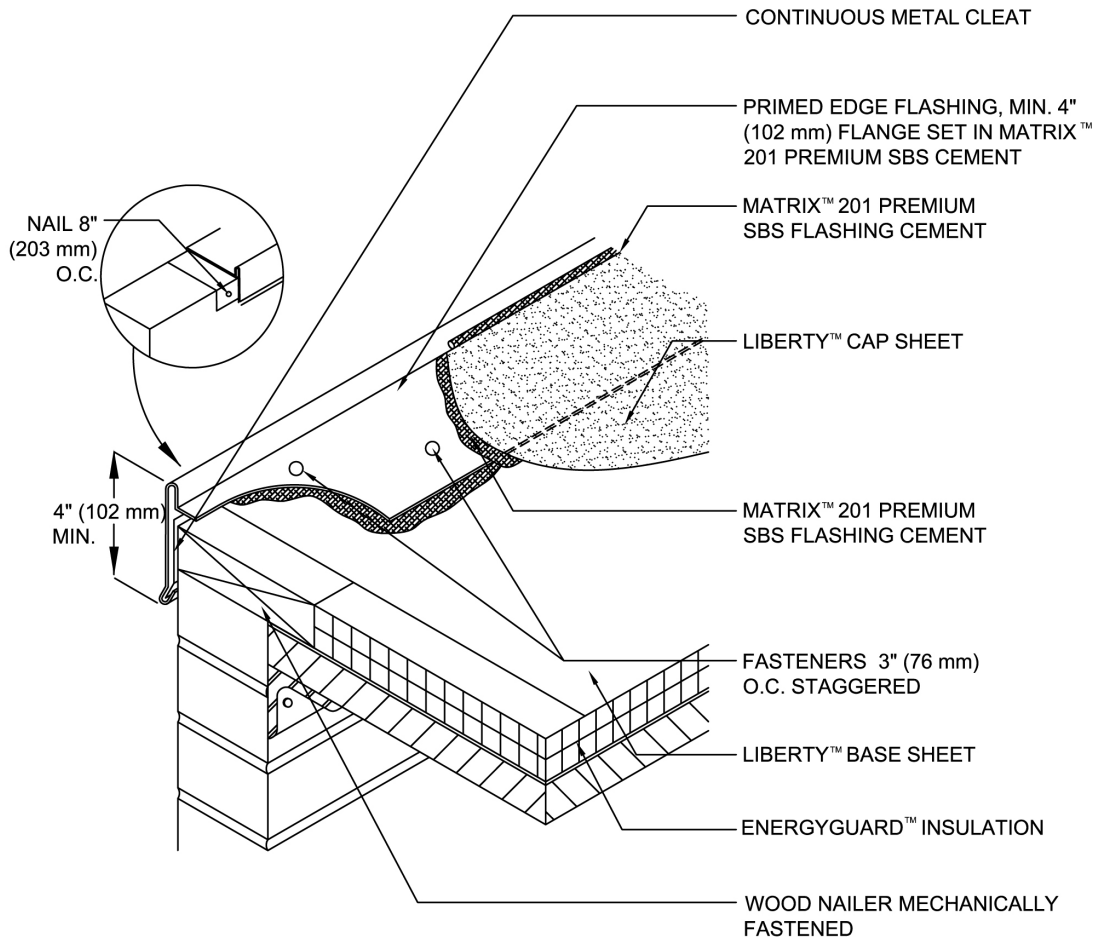
Flashing Details

NOTE:

1. REFER TO MB/BUR SYSTEMS INSTALLATION REQUIREMENT SECTION.
2. THE INSULATION SHOULD BE SOLIDLY MOPPED TO THE OLD ROOF OR MECHANICALLY ATTACHED TO THE DECK, DEPENDING ON THE DECK LIMITATIONS.
3. DO NOT APPLY RUBEROID® TORCH OR RUBEROID® HEAT-WELD MEMBRANES DIRECTLY TO GAFGLAS® STRATAVENT® PERFORATED VENTING BASE SHEET. AT LEAST ONE PLY OF GAFGLAS® #75 BASE SHEET OR 2 PLIES OF GAFGLAS® PLY SHEETS MUST BE HOT-MOPPED OVER GAFGLAS® STRATAVENT® PERFORATED VENTING BASE SHEET BEFORE TORCH-APPLYING RUBEROID® MEMBRANES.
4. FLASHING AT PARAPET WALLS AND ROOF EDGES IS HANDLED IN THE SAME MANNER AS FOR NEW ROOF CONSTRUCTION. OLD FLASHINGS AND METAL EDGE STRIPS MUST BE COMPLETELY REMOVED AND NEW FLASHING AND METAL EDGE STRIPS INSTALLED.
5. WHEN THE MINIMUM DIMENSION OF THE ROOF EXCEEDS 60 FEET (18.3 M), TOP SIDE FIELD VENTING SHOULD BE USED IN ADDITION TO THE EDGE AND PARAPET WALL VENTING. ROOF VENTS ARE TO BE APPLIED AT THE RATE OF ONE VENT PER 1,000 SQUARE FEET (9.29 SQ. M.) OF ROOF AREA.

LIB 2 – LIBERTY™ SBS SELF-ADHERING MEMBRANE FLAT EDGE FLASHING DETAIL

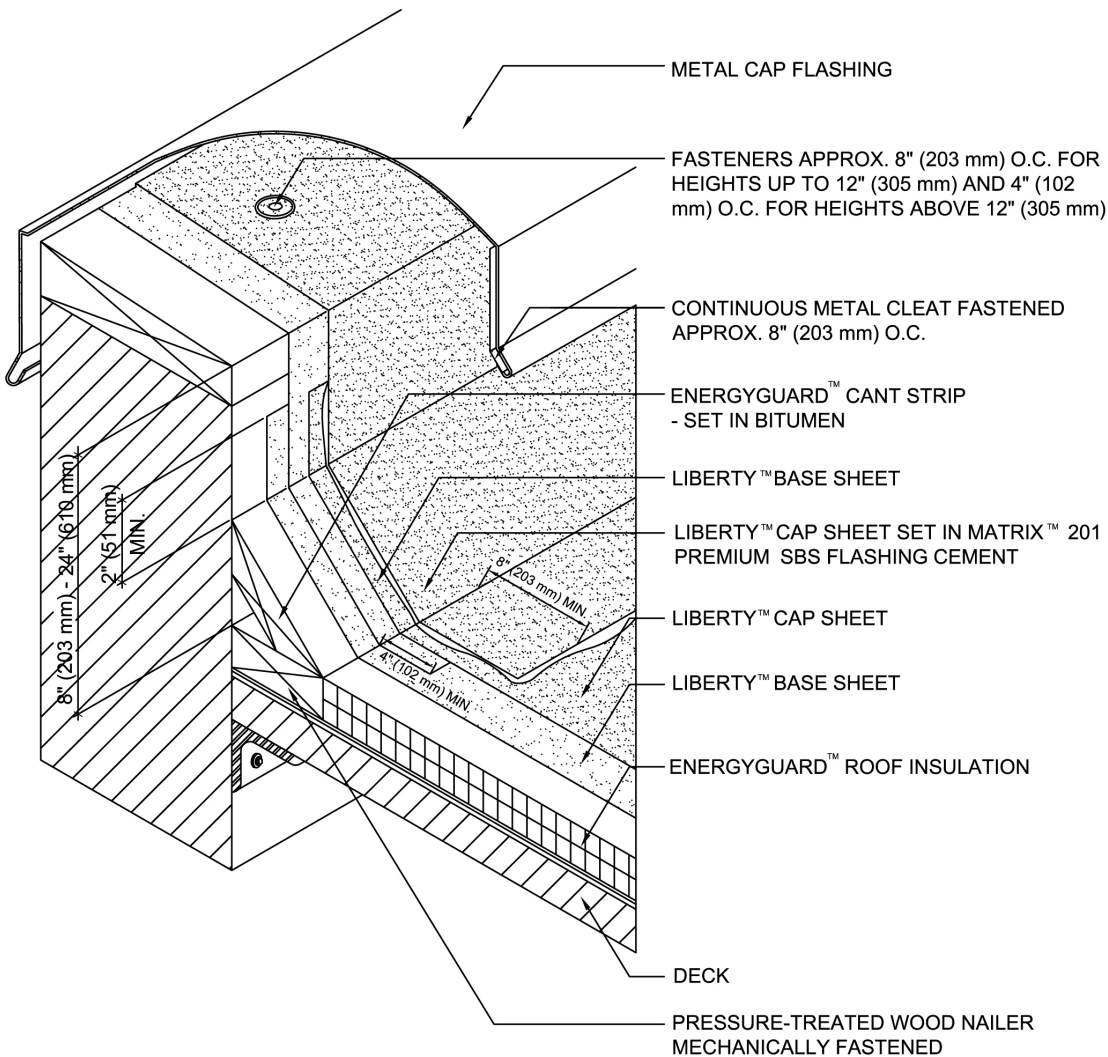
Flashing Details



NOTE:

1. ONE OR MORE PLYS OF LIBERTY™ MA OR LIBERTY™ BASE/PLY SHEET AS REQUIRED BY SELECTED SPECIFICATION, FOLLOWED BY ONE PLY OF LIBERTY™ CAP SHEET.
2. REFER TO LIBERTY™ FLASHING SPECIFICATIONS PART 9.

LIB 3 – LIBERTY™ SBS SELF-ADHERING MEMBRANE WALL FLASHING DETAIL FOR WALL SUPPORTED DECK

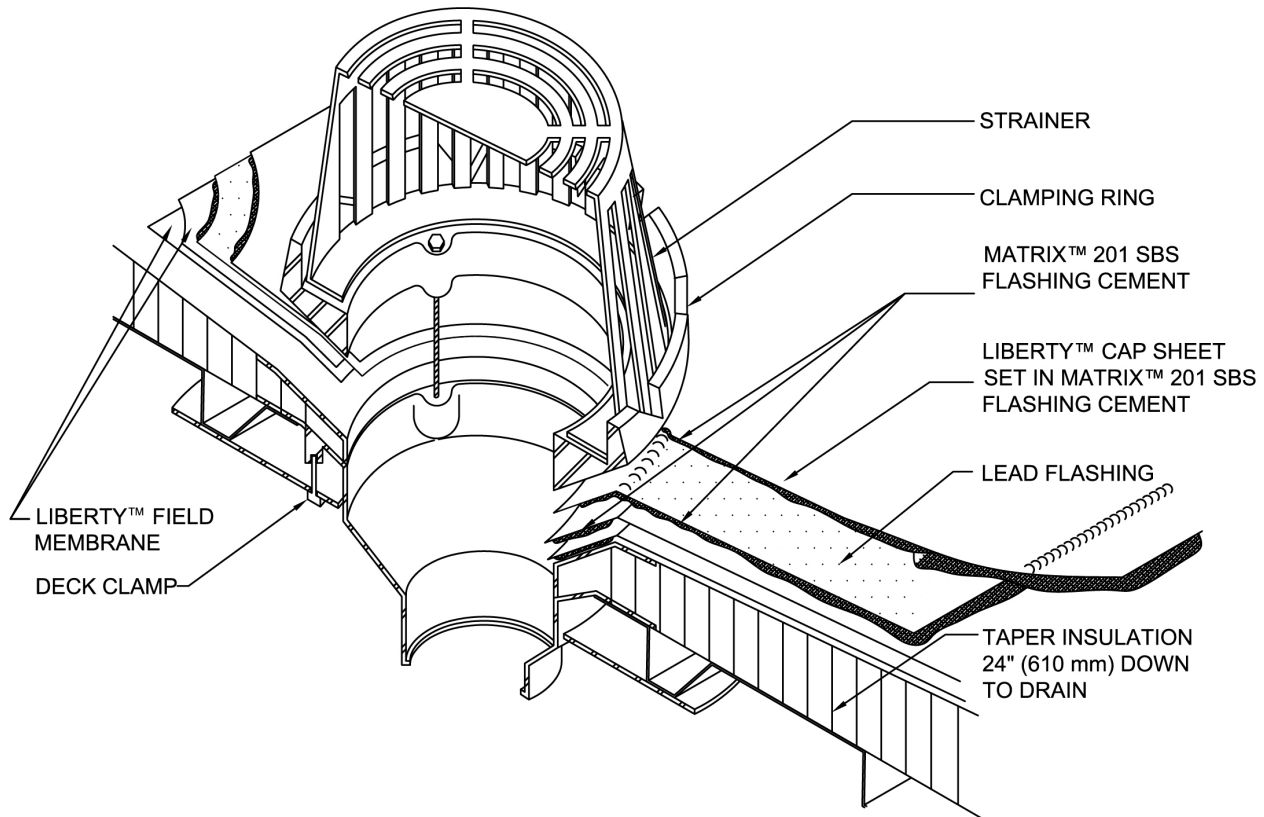


NOTE:

1. FOR MASONRY SURFACES, INSTALL ONE PLY OF LIBERTY™ BASE/PLY SHEET (BACKER PLY) AND ONE PLY OF LIBERTY™ CAP SHEET ADHERED IN PLACE OVER A PRIMED SUBSTRATE. FOR WOOD SUBSTRATES, INSTALL ONE PLY OF LIBERTY™ MA BASE SHEET (BACKER PLY) MECHANICALLY FASTENED IN PLACE WITH CAP NAILS CONTAINING A 1" (25.4 mm) INTEGRAL METAL HEAD, 8" (203 mm) O.C. ALONG THE TOP AND SIDE LAPS, AND 8" (203 mm) O.C. IN ALL DIRECTIONS IN THE FIELD OF SHEET FOLLOWED BY ONE PLY OF LIBERTY™ CAP SHEET ADHERED IN PLACE.

2. REFER TO LIBERTY™ FLASHING SPECIFICATIONS PART 9.

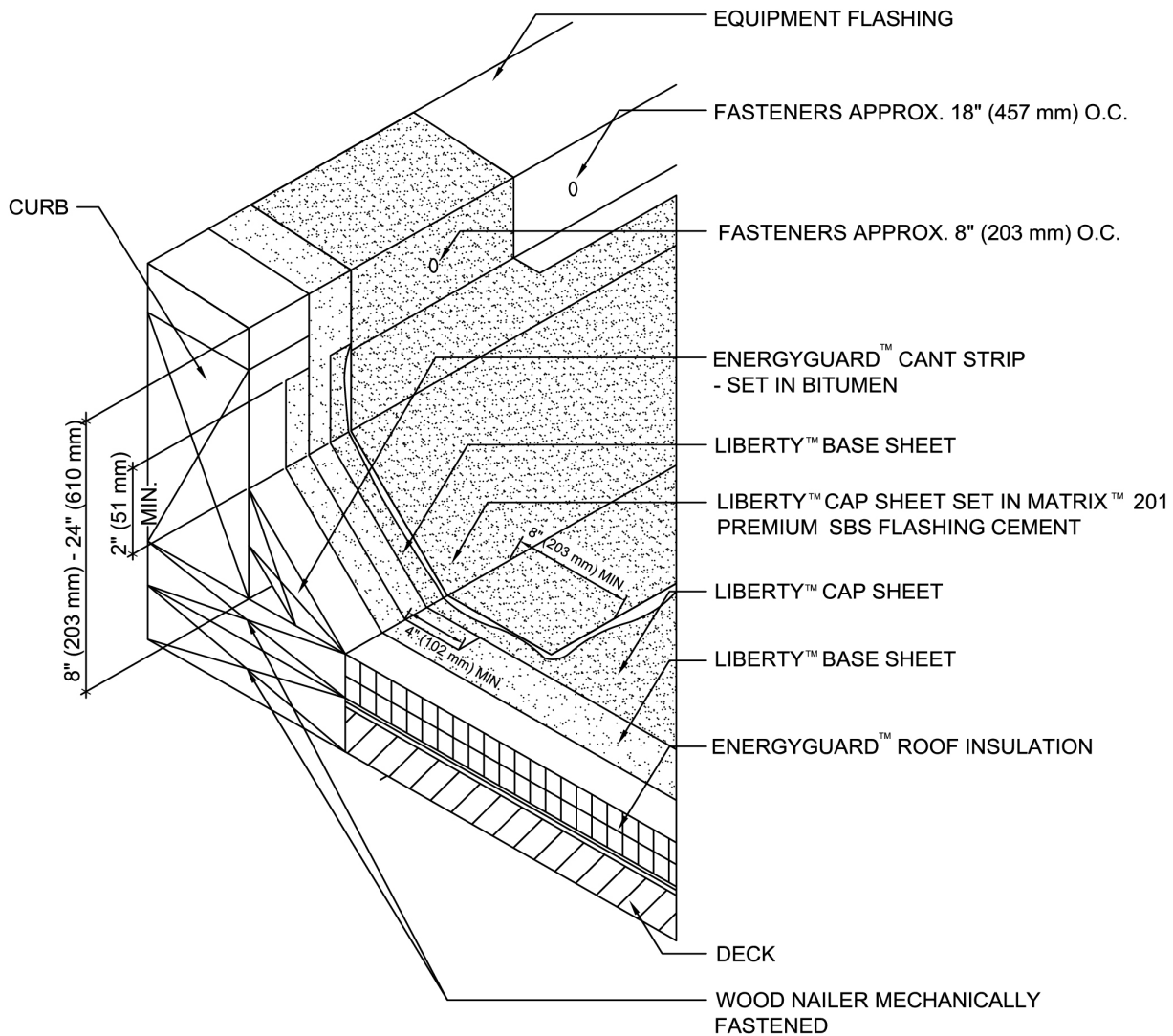
LIB 9 – LIBERTY™ SBS SELF-ADHERING MEMBRANE ROOF DRAIN



NOTE:

1. MINIMUM 30" (762 mm) SQUARE, 2-1/2-LB. TO 4-LB. (1.13 kg TO 1.81 kg) LEAD OR 16-OZ. SOFT COPPER FLASHING. SET PRIMED FLANGE IN ROOF CEMENT. PRIME TOP SURFACE BEFORE STRIPPING.
2. MEMBRANE PLIES, METAL FLASHING, AND FLASHING PLIES EXTEND UNDER CLAMPING RING.
3. STRIPPING FELTS EXTEND 4" (102 mm) AND 8" (203 mm) BEYOND EDGE OF FLASHING SHEET, BUT NOT BEYOND

LIB 10 – LIBERTY™ SBS SELF-ADHERING MEMBRANE EQUIPMENT BASE FLASHING DETAIL

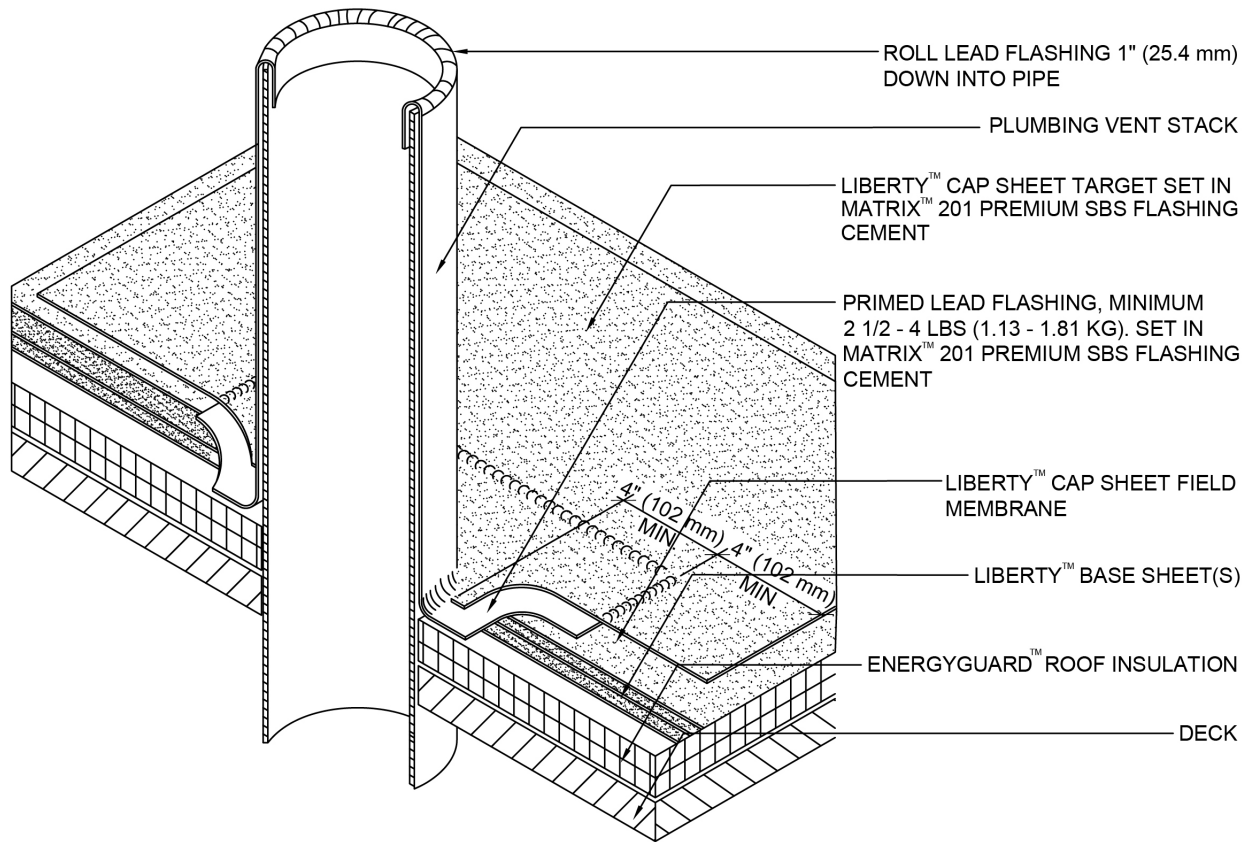


NOTE:

1. FOR MASONRY SURFACES, INSTALL ONE PLY OF LIBERTY™ BASE/PLY SHEET (BACKER PLY) AND ONE PLY OF LIBERTY™ CAP SHEET ADHERED IN PLACE OVER A PRIMED SUBSTRATE. FOR WOOD SUBSTRATES, INSTALL ONE PLY OF LIBERTY™ MA BASE SHEET (BACKER PLY) MECHANICALLY FASTENED IN PLACE WITH CAP NAILS CONTAINING A 1" (25.4 mm) INTEGRAL METAL HEAD, 8" (203 mm) O.C. ALONG THE TOP AND SIDE LAPS, AND 8" (203 mm) O.C. IN ALL DIRECTIONS IN THE FIELD OF SHEET FOLLOWED BY ONE PLY OF LIBERTY™ CAP SHEET ADHERED IN PLACE.

2. REFER TO LIBERTY™ FLASHING SPECIFICATIONS PART 9.

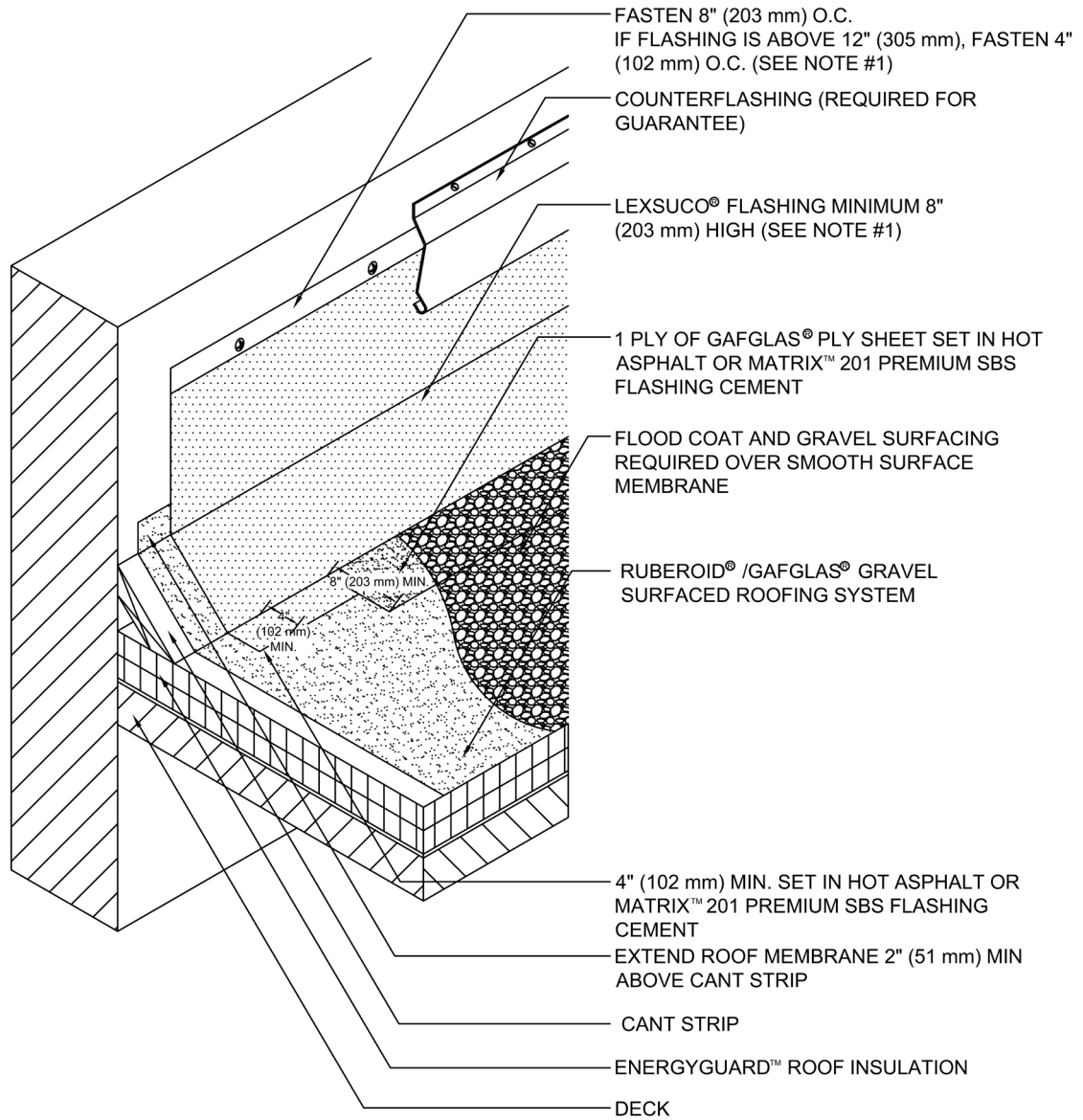
LIB 15 – LIBERTY™ SBS SELF-ADHERING MEMBRANE VENT STACK FLASHING DETAIL



NOTE:

1. ONE PLY OF LIBERTY™ CAP SHEET SET IN A TROWELING OF MATRIX™ 201 PREMIUM SBS FLASHING CEMENT.
2. INSTALL LEAD FLASHING IN A SOLID BED OF MATRIX™ 201 PREMIUM SBS FLASHING CEMENT OVER THE COMPLETED LIBERTY™ FIELD MEMBRANE.
3. REFER TO LIBERTY™ FLASHING SPECIFICATIONS, PART 9.

LEX 1 – LEXSUCO® FLASHING WALL DETAIL FOR GRAVEL-SURFACED ROOFS



NOTE:

1. TERMINATION BAR IS NEEDED FOR LEXSUCO® RF (REINFORCED FLASHING) OR B/W (BLACK/WHITE) FLASHING. TERMINATION BAR IS NOT NEEDED FOR LEXSUCO® ME (METAL EDGE) FLASHING.

NOTES

NOTES

NOTES

NOTES



gaf.com

©2016 GAF 1/16 #205 • COMGN286

