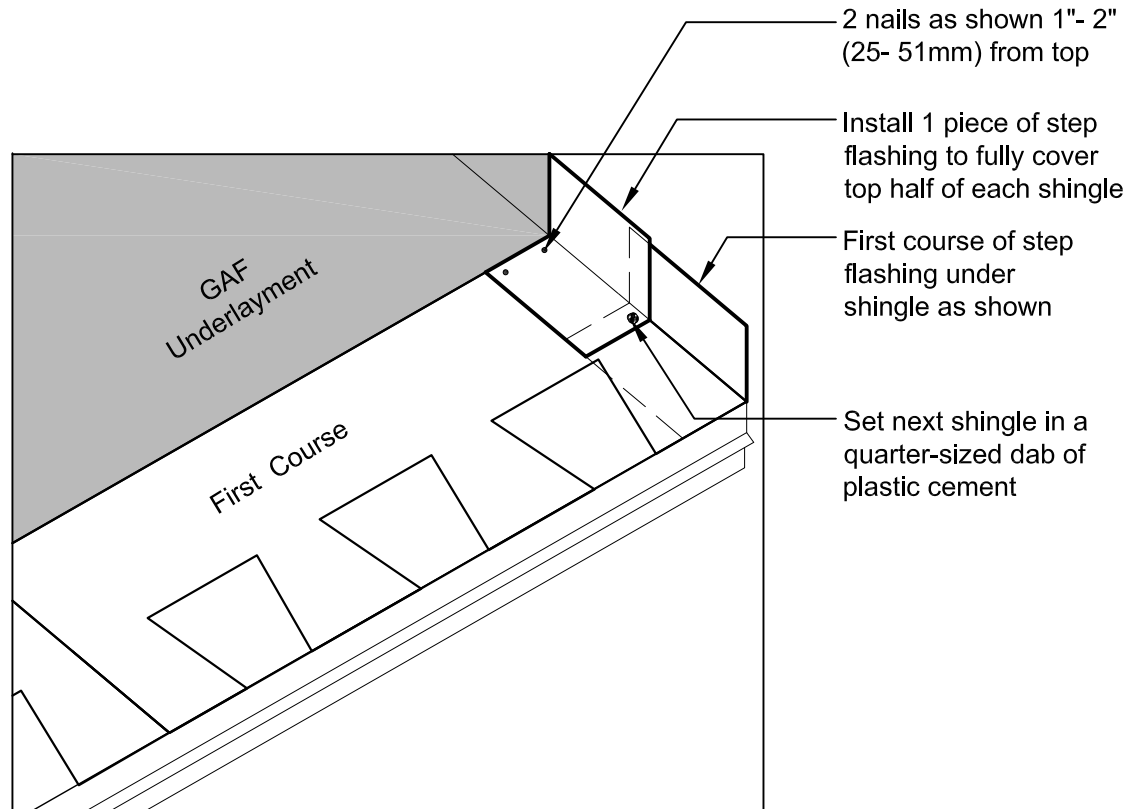
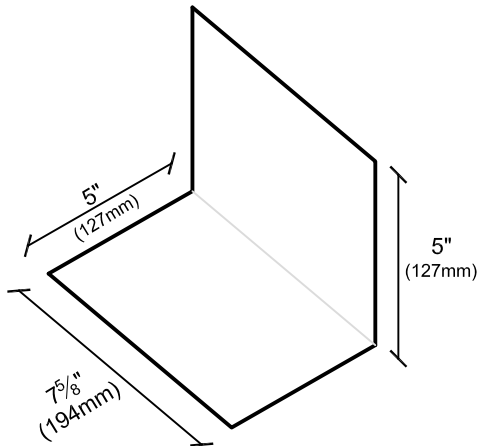


Step Flashing for Metric Size
Shingles 13-1/4" x 39-3/8"
(337mm x 1000mm) with
5-5/8" (143mm) Exposure



1361 Alps Rd.
Wayne, NJ 07470
www.gaf.com

BRAND SERIES
TIMBERLINE
SERIES
Lifetime Shingles

REVISION DATE
1-01-12

SCALE
N.T.S

STEP FLASHING DETAIL

DETAIL NUMBER

05

DETAIL REFERENCE

SS-TS