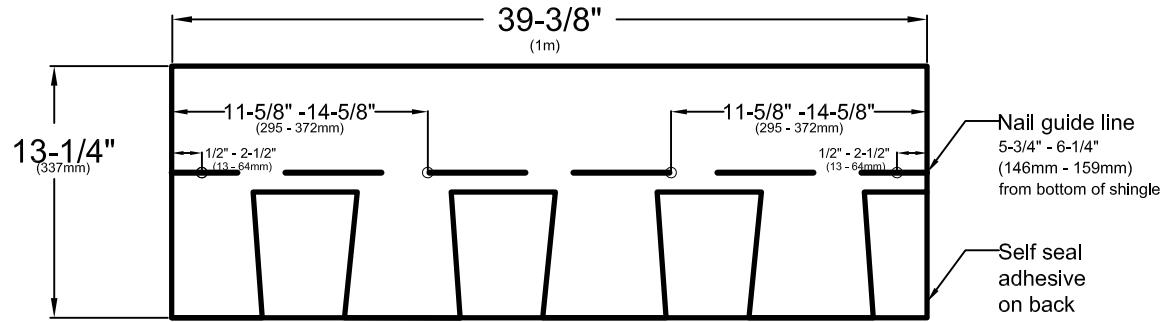
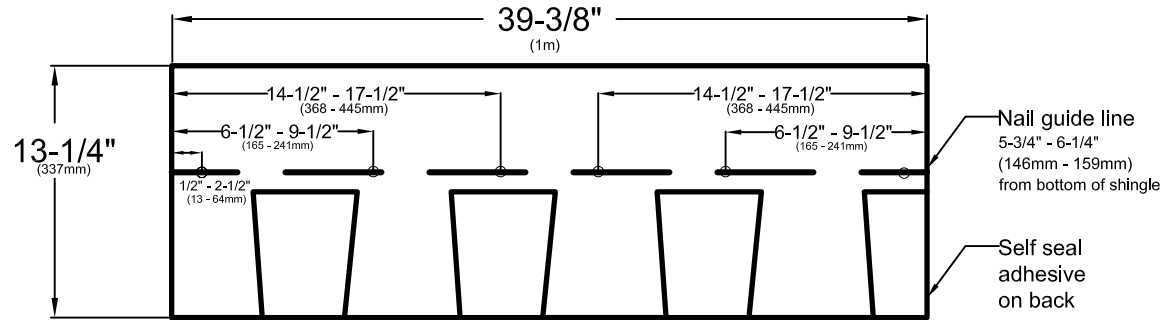


These shingles MUST be nailed a nominal 6" (152mm) from bottom of shingle, above the cut outs, as shown. Nails must not be exposed.



**STANDARD NAILING PATTERN - four nails per shingle**



**ENHANCED NAILING PATTERN - six nails per shingle\***

\* required by some local codes and required for enhanced wind coverage on certain products. See limited warranty for details.



1361 Alps Rd.  
Wayne, NJ 07470  
www.gaf.com

BRAND SERIES  
**TIMBERLINE**  
**SERIES**  
Lifetime Shingles

REVISION DATE  
1-01-12

SCALE  
N.T.S

**NAIL PLACEMENT DETAIL**  
Metric Size Shingles

DETAIL NUMBER

**03a**

DETAIL REFERENCE

**SS-TS**