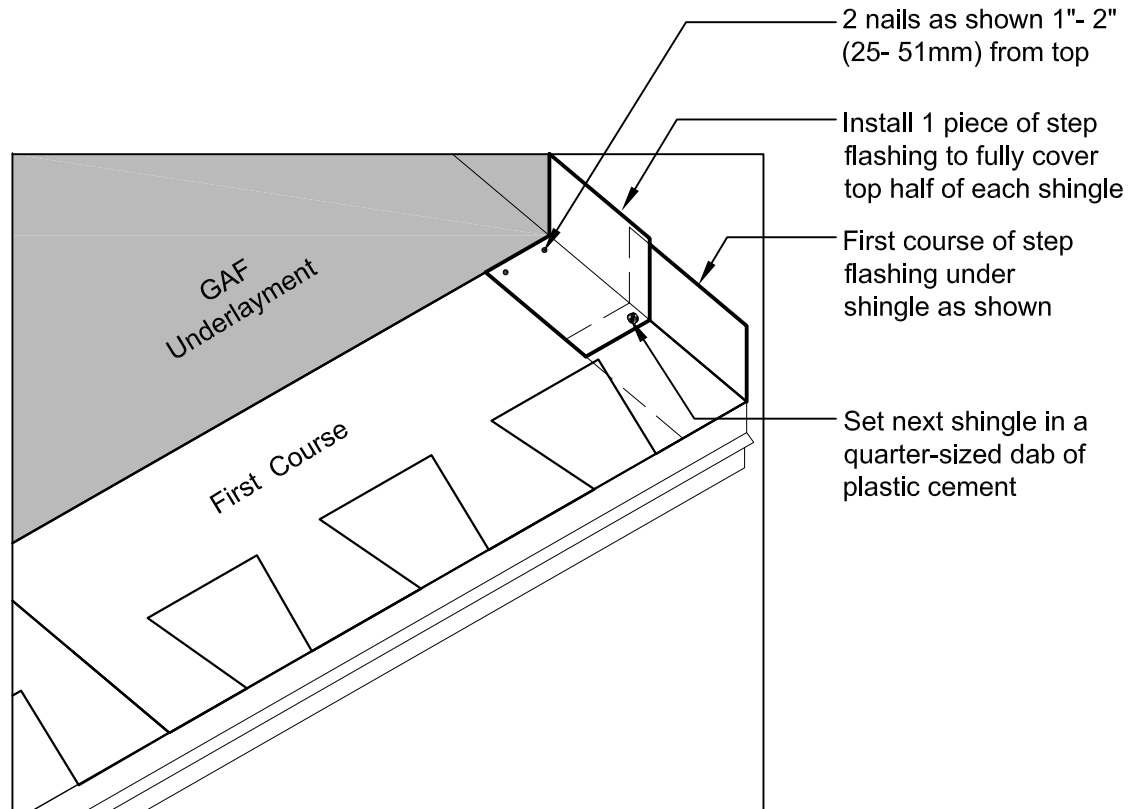
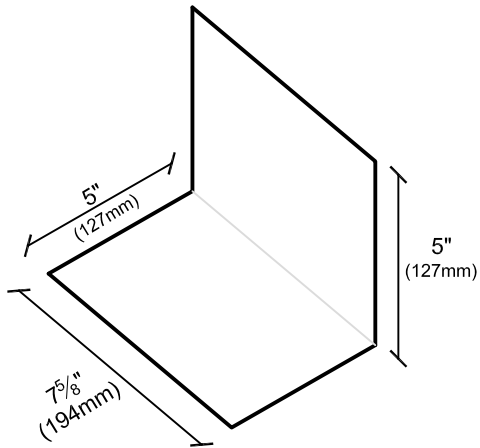


Step Flashing for Metric Size  
Shingles 13-1/4" x 39-3/8"  
(337mm x 1000mm) with  
5-5/8" (143mm) Exposure




1361 Alps Rd.  
Wayne, NJ 07470  
www.gaf.com

BRAND SERIES	
<b>TIMBERLINE</b>	
<b>SERIES</b>	
Lifetime Shingles	
REVISION DATE	SCALE
1-01-12	N.T.S

# STEP FLASHING DETAIL

DETAIL NUMBER
<b>05</b>
DETAIL REFERENCE
<b>SS-TS</b>