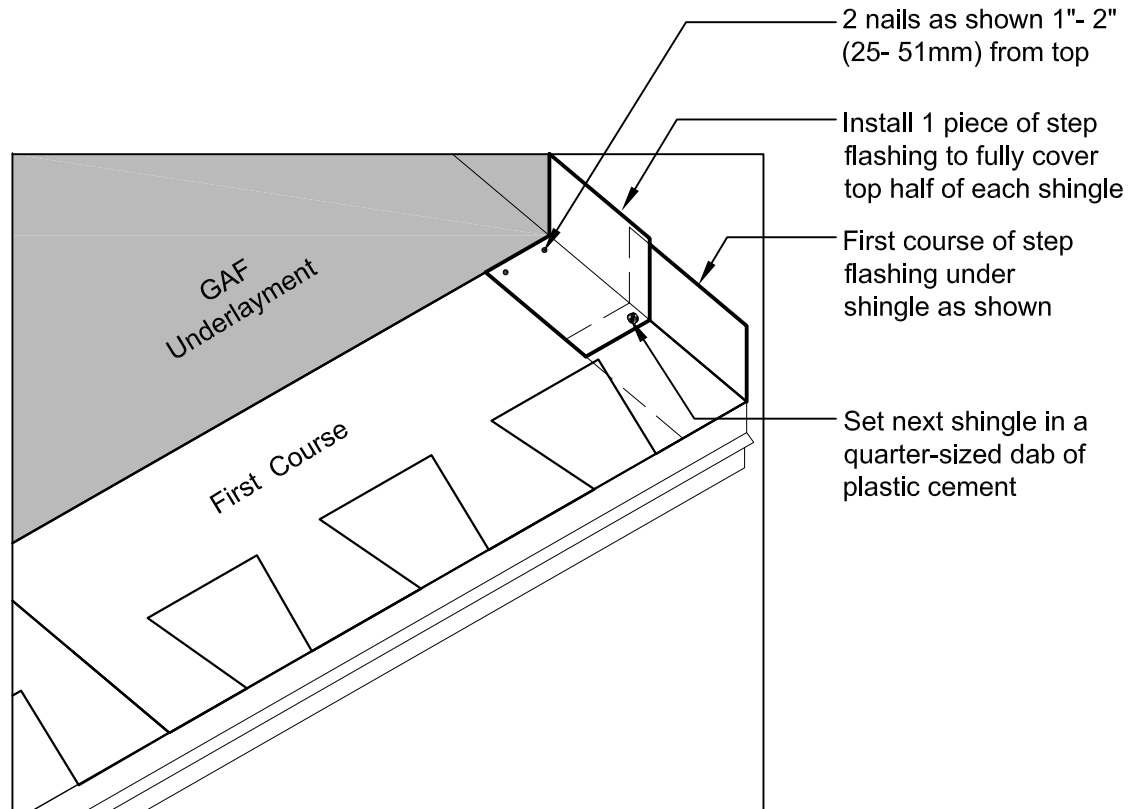
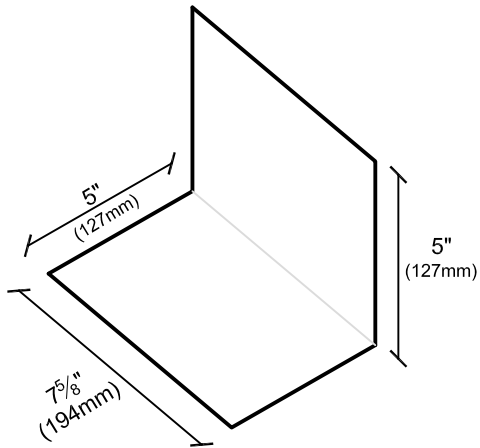


Step Flashing for Metric Size  
Shingles 13-1/4" x 39-3/8"  
(337mm x 1000mm) with  
5-5/8" (143mm) Exposure




1361 Alps Rd.  
Wayne, NJ 07470  
www.gaf.com

BRAND SERIES  
**TIMBERLINE  
SERIES**  
Lifetime Shingles

REVISION DATE  
1-01-12

SCALE  
N.T.S

# STEP FLASHING DETAIL

DETAIL NUMBER  
**05**

DETAIL REFERENCE  
**SS-TS**