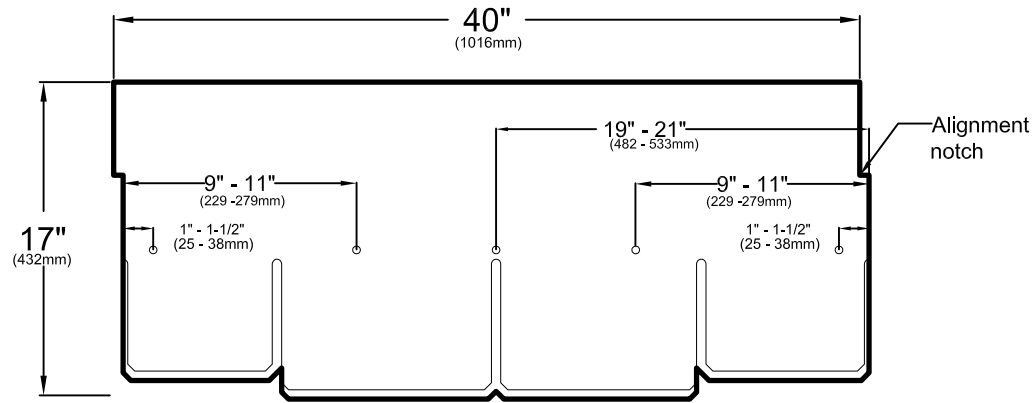
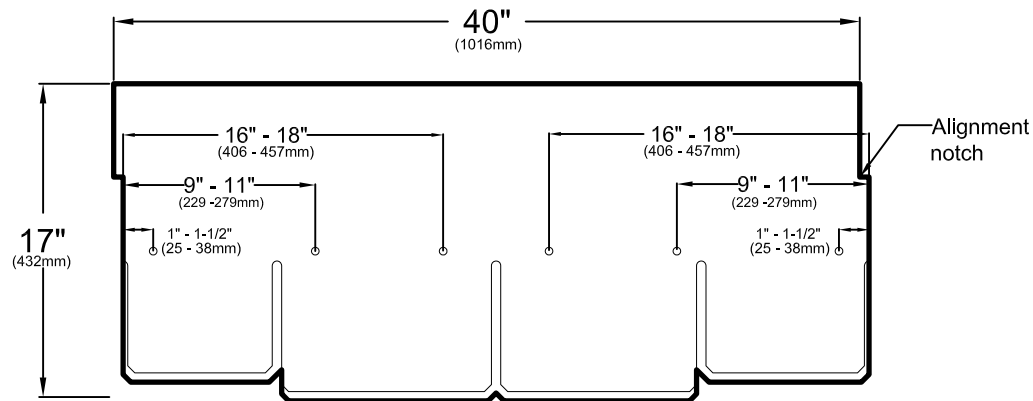


These shingles MUST be nailed along the nail guide marks, nominally 8-1/2" (216mm) from bottom of the long tabs as shown. Nails must not be exposed.



STANDARD NAILING PATTERN - five nails per shingle

NOTE: Shingles shown in drawings are one of 6 different design patterns that will be found in this package.



ENHANCED NAILING PATTERN - six nails per shingle*

* required by some local codes and required for enhanced wind coverage on certain products. See limited warranty for details.



1361 Alps Rd.
Wayne, NJ 07470
www.gaf.com

BRAND SERIES

**WOODLAND
SERIES**
Lifetime Shingles

REVISION DATE

1-01-12

SCALE

N.T.S

SHINGLE NAIL PLACEMENT DETAILS

DETAIL NUMBER

03

DETAIL REFERENCE

SS-WLD