

## PRODUCT DATA SHEET GRABBERGARD IFC

### Description

GRABBERGARD IFC caulk is a latex-based, intumescent caulk designed to stop the passage of fire, smoke, and fumes through fire-rated separations. GRABBERGARD IFC has been tested in many different 1, 2, 3 and 4 hour rated floor and wall assemblies. It has excellent adhesion qualities with most common construction materials. After fully cured, GRABBERGARD IFC forms a durable, flexible water resistant and paintable seal.

### Applications

GRABBERGARD IFC firestop caulk provides an effective firestop seal when used as a single or multiple component system for through-penetrations, construction joints and voids. To make certain installation is correct, consult manufacturer's current listings, as well as, Third Party published Fire Resistance Directories and/ or their websites. GRABBERGARD IFC common uses and features are listed below:

- Used on:** Single and multiple penetrations
- Metallic pipes
    - Copper, steel, cast iron
    - Conduits
  - Non-metallic pipes
    - ABS, CPVC, FRPP, PE, PEX, PVC
    - Rigid and ENT conduit
  - Insulated pipes
    - Fiberglass
    - AB/PVC
  - Electrical cables and wires
    - Jacket & non-jacketed
  - Mechanical ducts
  - Cable trays
  - Construction joints/gaps
    - Top-of-Wall
    - Horizontal and vertical joints
    - Perimeter floor joints
  - Voids
  - Common construction substrate materials:
    - Concrete
    - Concrete block
    - Steel deck
    - Wood
    - Gypsum wallboard

- Features:** Red Color
- Non-toxic
  - Safe and easy to use
  - Easy clean up (Water Only)
  - Low volatile organic content (VOC)
  - No asbestos or PCB
  - Water resistance (when fully cured)
  - Mildew resistant (when fully cured)
  - Paintable (with latex based paints)
  - Excellent application characteristics
    - Flows easily
    - No slump
    - Superior bond and adhesion
  - Excellent acoustic properties
  - Seals smoke and gases
  - High intumescent characteristics
  - One-component systems

### Advantages

Intumescent – When exposed to high temperatures or fire, GRABBERGARD IFC caulk expands in volume to quickly close off voids left by melting or burning construction materials.

### Single Component

GRABBERGARD IFC caulk can be installed directly into an opening or joint without mixing or the use of additional materials such as metal collars or wraps. This simplifies installation and minimizes the materials needed at the jobsite.

### Versatility

GRABBERGARD IFC caulk adheres easily to dry or damp concrete, wood, metal and other common building material surfaces.

### Flexibility

When installed GRABBERGARD IFC caulk, when used in joints, accommodates up to 33 percent joint movement compression/extension. It remains flexible and fully resistant to water after fully cured.

### Limitations

Consult the Installation Instructions, Storage and Handling and Transportation Sections. **Exposure to rain, running or standing water: before, the sealant is cured may cause the installed material(s) to wash out.** The curing process occurs naturally through the evaporation of its water content into the atmosphere. Slower cure times may be experienced if the sealant is installed at low temperatures, damp and/or in high

Disclaimer: All technical advice, recommendations and services rendered by the seller gratis. They are based on technical data, which the seller believes to be reliable, and are intended for use by persons having the skills and know how, at their own discretion and risk. In no event will the seller be liable for any consequential damages arising out of the use of this product.



Intertek  
December 2019

humidity environments. Any materials used in the firestop system for damming, insulation or support that may not allow for the free passage of air could result in longer curing times. **The environment in which the compound is being used should be considered when estimating cure times.**

#### **Compliance/Approvals**

GRABBERGARD IFC caulk has been tested for hundreds of firestop installations and meets or exceeds the requirements of ASTM E 814, ASTM E 119, UL 1479, UL 2079, ULC S115-M95, and CAN/ULC S101. Underwriters Laboratories (UL) and Intertek Testing Service (ITS) NA Ltd (Warnock Hersey) are third party fire endurance testing agencies accredited by ICBO, BOCA and SBCCI (National Evaluation Services) in the United States.

#### **Additional Testing**

GRABBERGARD IFC caulk becomes an integral component in a complete building systems of walls, pipe penetrations, HVAC ducts, joints, and the like. For this reason, its physical compatibility to other products used in these complex configurations requires more than the routine firestopping products testing. The results of these additional tests are listed in Table 1, GRABBERGARD IFC Caulk Physical and Chemical Properties.

GRABBERGARD IFC Caulk has proven that it has all the physical characteristics desired in a firestopping product. Once installed and fully cured, it has excellent stability, even after four weeks at freezing temperatures of -15°F (-26°C) and exposure to extreme temperatures of 300°F (149°C) for 24 hours. Dimensional changes were well within the accepted standards (<2% per ASTM C-356). Dynamic testing has demonstrated GRABBERGARD IFC caulk's highly elastic properties.

When tested in simulated fire conditions, this intumescent caulk expanded uniformly, to at least eight times its original volume, without causing failure to other components. When tested per ASTM E-84, the flame spread index was less than 25 and smoke development index was less than 50.

Corrosion and microbial growth were tested using procedures outlined in ASTM C-665. GRABBERGARD IFC caulk does not promote the corrosion of steel, copper, or aluminum, but may

Disclaimer: All technical advice, recommendations and services rendered by the seller gratis. They are based on technical data, which the seller believes to be reliable, and are intended for use by persons having the skills and know how, at their own discretion and risk. In no event will the seller be liable for any consequential damages arising out of the use of this product.

## PRODUCT DATA SHEET GRABBERGARD IFC

cause discoloration on galvanized metal surfaces. Also, GRABBERGARD IFC caulk does not support mold growth.

The use of GRABBERGARD IFC caulk will restore the acoustical performance level (STC rating) to firewall systems used in standard building construction when tested according to ASTM E-90-99.

#### **Installation Instructions**

GRABBERGARD IFC must be installed in compliance with a listed system design published by a third party testing agency (UL, ITS). Refer to their respective published Fire Resistance Directory or their web site.

#### **Prep-work**

To install properly, remove excessive dust, dirt, debris, grease, oil and standing water.

#### **Application**

Apply caulking material with standard cartridge or bulk-loading application guns or trowel in place with standard tooling tools. Install the required amount of caulking material into the opening using sufficient pressure to ensure it is in contact with all surfaces, substrates and/or penetrating items. The manufacturer recommends tooling the surface with a moist putty knife or similar tooling utensil. Tooling the caulking material will create a stronger bond and a smooth finish especially on irregular or porous surfaces. Do not apply GRABBERGARD IFC to mineral wool that is or was wet from exposure to water, standing water, rain or snow.

**Caution:** Mineral wool may cause eye, skin or respiratory tract irritation. Avoid contact with eyes, skin of clothing. Recommend using gloves and goggles. Refer to mineral wool manufacturer's Material Safety Data Sheets.

#### **Installation Temperature**

For best results, installation temperatures should be between 45°-90°F (7°-32°C).

#### **Maintenance**

No special maintenance is required after the GRABBERGARD IFC sealant is installed and fully cured. If, after installation, the GRABBERGARD IFC sealant is damaged or cut, repairs should be made with the same sealant.



Intertek  
December 2019

## PRODUCT DATA SHEET

### GRABBERGARD IFC

#### Manufacturer's Recommendations

The manufacturer recommends this product be installed by those trained in proper installation procedures (Approved Installer Card) and be able to read and understand a firestop system design listing (i.e. UL or WHi Listed System Design).

#### Storage and Handling

Keep product stored in a protected covered area in its original unopened containers. Manufacturer recommends storage temperatures to between 40°-90°F(4°-32°C).

#### **DO NOT ALLOW TO FREEZE**

Product has a shelf life of one(1) year. Stock rotation program is recommended.

#### Transportation

Recommended transportation temperatures should be between 40°-90°F(4°-32°C).

#### **DO NOT ALLOW TO FREEZE**

#### First Aid

In case of contact with eyes, flush with water and consult a physician. Skin contact, clean up thoroughly with water or soapy water. Consult a physician if eye or skin irritation develops or is persistent. **SEE MSDS FOR ADDITIONAL INFORMATION.**

#### Availability

GRABBERGARD IFC caulk is supplied in:

- 10 fl. oz. (300ml) plastic cartridges
- 29 fl. oz. (850ml) cartridges
- 20 fl. oz. (590ml) sausages
- 5 gal. (18.9L) tapered plastic pails

#### Coverage

Estimated product usage will vary depending on opening size and configuration. Check GRABBERGARD'S estimating charts for coverage.

#### Warranty

Grabber Construction Products will not accept liability for more than product refund. Any claim regarding product defect must be received in writing within 1 year from date of shipment. Grabber makes no other Warranty or Guarantee express or implied, including warranties of fitness for a particular purpose or merchantability. The seller shall assume no other liability for incidental or consequential damages arising out of the sale or use of this product.

Disclaimer: All technical advice, recommendations and services rendered by the seller gratis. They are based on technical data, which the seller believes to be reliable, and are intended for use by persons having the skills and know how, at their own discretion and risk. In no event will the seller be liable for any consequential damages arising out of the use of this product.

#### Technical Services

For technical information and assistance regarding application information, code requirements and performance specifications:

Toll Free 1-866-237-GRAB(4722)  
Web Site www.GrabberPro.com

IFC - PDS



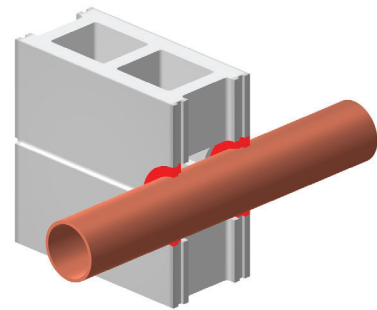
Intertek  
December 2019

## PRODUCT DATA SHEET GRABBERGARD IFC

Table 1 – Physical and Chemical Properties

### As Supplied

Type of Polymer	Acrylic Emulsion
Odor	Mild Latex
Solids Content (Wt%)	82%
Application Temperatures	45°-90°F(7°-32°C)
Viscosity (ASTM D-2196)	640000-960000cps
Extrudability	Passed
Color - (ASTM C-834)	Rust Red
Specific Gravity - (ASTM D-1475)	1.40-1.50
Dry Time - (ASTM D-1640)	
Dry to touch @ 6mils	20 mins
Full Cure Time (depends on thickness & environment)	7-21 days
pH - (ASTM E-70)	8-9

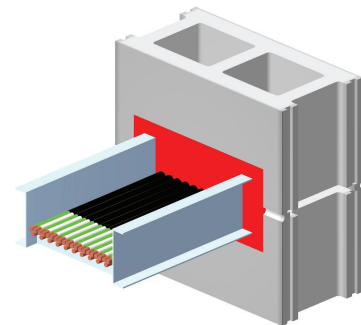


Typical Pipe Penetration

### As Cured

In Service Temperature	up to 120°F(49°C)
Moisture Absorption	<4%
Stability	Passed
[Dimensional, Cracking, Blisters, Flexibility]	
Corrosion - (ASTM C-655)	Passed
[for Aluminum, Copper, Steel, Galvanized Steel, Stainless Steel]	
Volume Shrinkage - (ASTM C-1241)	<20%
Chemical Compatibility - (ASTM D-543)	Passed
Slump Test - (ASTM D-2202 - Modified)	Passed
Hardness - (ASTM D-2240, Shore A)	26
Freeze/Thaw - (ASTM D-2243)	Excellent
Tensile Properties - (ASTM D-2370)	
Tensile Strength	41.8 psi
Maximum Elongation	667%
Corrosion - (ASTM D-5894)	Passed
Surface Burning Characteristics - (ASTM E-84)	
Flame Spread Index	<25
Smoke Developed Index	<50
STC Sound Transmission Loss - (ASTM E-90)	59

Tested in a U411  
Wall Assembly



Typical Cable Tray Penetration

IFC - PDS

Disclaimer: All technical advice, recommendations and services rendered by the seller gratis. They are based on technical data, which the seller believes to be reliable, and are intended for use by persons having the skills and know how, at their own discretion and risk. In no event will the seller be liable for any consequential damages arising out of the use of this product.



Intertek  
December 2019