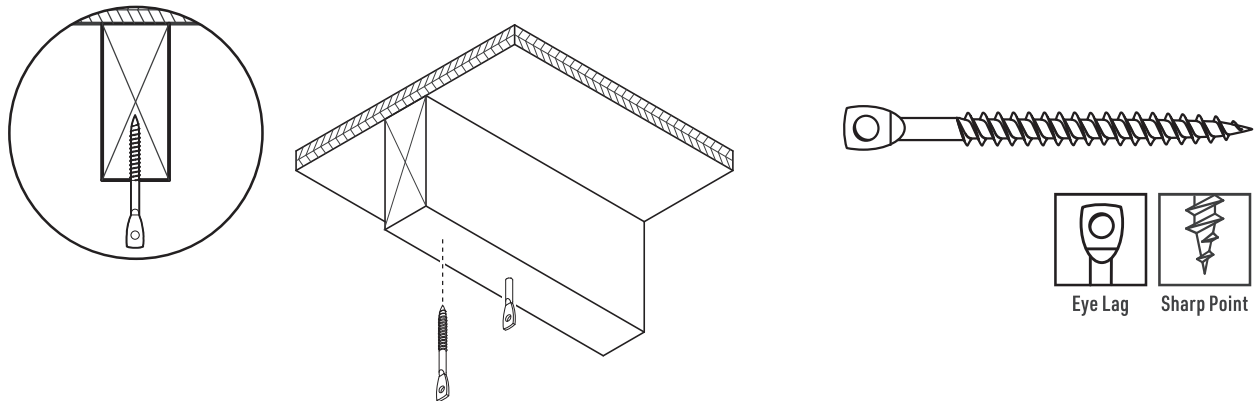


Acoustical Eye Lag

Acoustical Wire to Wood

GRABBER®
CONSTRUCTION PRODUCTS



Description Used to secure hanger wire to wooden ceiling joists.

Specifications

Size | Gauge: 1/4 in.
Length: 3 in. to 5 in.
Head Type: Eye Lag
Recess Type: n/a
Thread Type: Coarse
Thread Length: Varies by item.
 Refer to the thread length reference section for specific dimensions.

Finish: Phosphate, Clear Zinc
Quality Assurance: Grabber® fasteners are manufactured in ISO 9001 and ISO 14001 certified and approved factories.
LEED Reporting: The post-consumer recycled steel content is 25%.

Applications

- Attaches hanger wire to wooden ceiling joists

Installation

- Use a standard screw gun with Grabber's Eye Lag installation tool (ELAT). Suggested screw gun specification for optimal performance: up to 4,000 RPM.
- The fastener should penetrate the wood at least 1 1/2 in., in accordance with AWC-NDS for wood construction.
- Overdriving may result in failure of the fastener.

Features

- Grabber Eye Lag screws are more evenly heat-treated and tempered, resulting in more consistent and reliable performance.
- Grabber's extra-sharp point is designed to drive the screw straight in, reducing the likelihood of tilting.
- All Grabber Eye Lag screws for wood have 1 1/2 in. thread length for better holding power in wooden ceiling joists.

Acoustical Eye Lag

Acoustical Wire to Wood



Standard Corrosion Test Results

Finish	Test	Standard/Protocol	Results
Phosphate	Salt Spray	ASTM B117	24 hrs., no red rust
Clear Zinc	Salt Spray	ASTM B117	12 hrs., no red rust

Note: Salt Spray Testing (SST) results are not intended to predict corrosion in real-world environments. The ASTM B117 standard for SST is recognized industry-wide as an effective tool for comparing different metals and different metal coatings in a tightly controlled, highly corrosive environment for specific periods of time. For more information about corrosion resistance, refer to Grabber's Coatings and Corrosion Resistance Classifications in the Technical Data section of Grabber Fastener Solutions, PG1000. Consult with a corrosion specialist or the architect or engineer of record for detailed guidance and recommendations specific to your project.



Product Dimensions

Size	B Eye Dia.	D1 Minor Dia.	D2 Major Dia.	TPI ¹
1/4 in.	0.217 in.	0.180 in.	0.250 in.	11

¹TPI stands for Threads Per Inch. This is a count of the number of threads per inch measured along the length of a fastener.

Thread Length: Dimensions vary by item. Consult the thread length reference section at the back of the catalog for item-specific details.

Ordering Information and Product Options

Item No.	Size	Recess	Head Dia.	TPI ¹	Quantity	Weight	Special Features
Phosphate							
3EL	1/4 x 3 in.	Eye Lag Driver	N/A	11	1,000	36 lb.	1 1/2 in. Thread length
4EL	1/4 x 4 in.	Eye Lag Driver	N/A	11	1,000	38 lb.	
5EL	1/4 x 5 in.	Eye Lag Driver	N/A	11	1,000	40 lb.	
Clear Zinc							
3ELZ	1/4 x 3 in.	Eye Lag Driver	N/A	11	1,000	36 lb.	1 1/2 in. Thread length
4ELZ	1/4 x 4 in.	Eye Lag Driver	N/A	11	1,000	38 lb.	
5ELZ	1/4 x 5 in.	Eye Lag Driver	N/A	11	1,000	40 lb.	

¹TPI stands for Threads Per Inch. This is a count of the number of threads per inch measured along the length of a fastener.

Note: Product availability is subject to change without prior notice, and the availability of products may differ from what is printed in literature and displayed on our website.

Acoustical Eye Lag
PS1001 USA-ENG/Rev. 2-26

Grabber Construction Products, Inc.
3125 W. Executive Pkwy., Suite 200
Lehi, UT 84048

(800) 477-8876 | GrabberPro.com

SAFETY FIRST: Wear appropriate personal protective equipment. Read applicable SDS and literature before handling and installation.

TECHNICAL INFORMATION: Technical information contained herein is furnished without charge or obligation and is given and accepted at the recipient's sole risk. Because conditions of use may vary and are beyond our control, Grabber Construction Products makes no representation about, and is not responsible or liable for, the accuracy or reliability of data associated with uses of any product described herein. Grabber Construction Products reserves the right to modify this document without prior notice.

© 2026 Grabber Construction Products, Inc. | All rights reserved | Printed in U.S.A.
The trademarks Grabber, and Stylized G on Grabber Fasteners, are trademarks of Grabber Construction Products, Inc.

