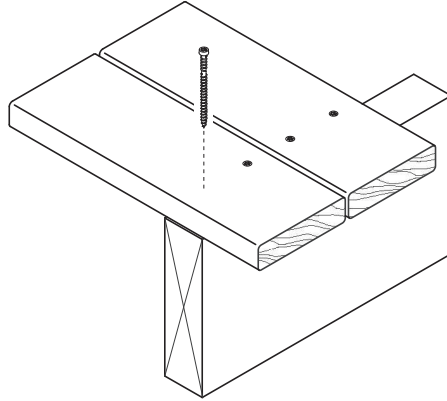
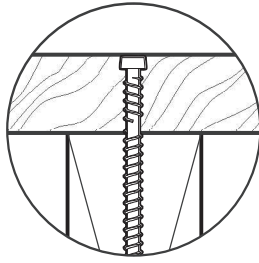


Composite Deck Board-to-Wood Screw

Exterior Wood

GRABBER
CONSTRUCTION PRODUCTS



Star

Double Type
17 PointComposite
Head

Description Used for attaching composite deck board to wood.

Specifications

Size | Gauge: #9
Length: 2 1/2 in. to 2 3/4 in.
Head Type: Composite Head
Recess Type: T20 Star
Thread Type: Coarse
Thread Length: Varies by item.
 Refer to the thread length reference section for specific dimensions.

Finish: Multiple colors, GrabberGard®
Quality Assurance: Grabber® fasteners are manufactured in ISO 9001 and ISO 14001 certified and approved factories.
LEED Reporting: The post-consumer recycled steel content is 25%.

Applications

- Composite deck board to wood
- Hardwood or softwood applications

Installation

- Use a standard screw gun with a depth-sensitive nose piece. Suggested screw gun specification for optimal performance: size #9, up to 4,000 RPM.
- The screw is fully seated when it is flush with the work surface.
- The fastener should penetrate the wood at least 7/8 in., in accordance with AWC-NDS for wood construction.
- Overdriving may result in failure of the fastener.

Features

- Star recess provides consistent, reliable performance in wood-to-wood applications.
- The composite head is specially designed to provide an improved appearance in composite board-to-wood applications.
- Double Type 17 point starts immediately, and drives into most common hard and soft wood species without predrilling.
- GrabberGard® finish is compliant for all types of pressure and preservative treated wood applications.

Composite Deck Board-to-Wood Screw

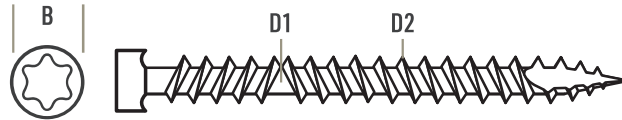
Exterior Wood



Standard Corrosion Test Results

Finish	Test	Standard/Protocol	Results
GrabberGard®	Salt Spray	ASTM B117	1,000 hrs., no red rust

Note: Salt Spray Testing (SST) results are not intended to predict corrosion in real-world environments. The ASTM B117 standard for SST is recognized industry-wide as an effective tool for comparing different metals and different metal coatings in a tightly controlled, highly corrosive environment for specific periods of time. For more information about corrosion resistance, refer to Grabber's Coatings and Corrosion Resistance Classifications in the Technical Data section of Grabber Fastener Solutions, PG1000. Consult with a corrosion specialist or the architect or engineer of record for detailed guidance and recommendations specific to your project.



Product Dimensions

Size	B Head Dia.	Recess	D1 Minor Dia.	D2 Major Dia.	TPI ¹
#9	0.266 in.	T20 Star	0.151 in.	0.177 in.	12
	0.276 in.	T20 Star	0.151 in.	0.177 in.	12

¹TPI stands for Threads Per Inch. This is a count of the number of threads per inch measured along the length of a fastener.

Thread Length: Dimensions vary by item. Consult the thread length reference section at the back of the catalog for item-specific details.

Ordering Information and Product Options

Item No.	Size	Recess	Head Dia.	TPI ¹	Quantity	Weight	Special Features
GrabberGard® Gray							
9212G	9 x 2 1/2 in.	T20 Star	0.266 in.	12	2,000	24 lb.	Reverse upper threads, Double Type 17 point
BCDS212G2	9 x 2 1/2 in.	T20 Star	0.276 in.	12	2,000	24 lb.	Medium gray, Reverse upper threads, Double Type 17 point
GrabberGard® Red							
9212R	9 x 2 1/2 in.	T20 Star	0.266 in.	12	2,000	24 lb.	Reverse upper threads, Double Type 17 point

¹TPI stands for Threads Per Inch. This is a count of the number of threads per inch measured along the length of a fastener.

Composite Deck Board-to-Wood Screw

Exterior Wood



Ordering Information and Product Options (continued)

Item No.	Size	Recess	Head Dia.	TPI ¹	Quantity	Weight	Special Features
GrabberGard® Brown							
9212B	9 x 2 1/2 in.	T20 Star	0.266 in.	12	2,000	24 lb.	Reverse upper threads, Double Type 17 point
BCDS212B	9 x 2 1/2 in.	T20 Star	0.276 in.	12	2,000	24 lb.	
GCDS234B	9 x 2 3/4 in.	T20 Star	0.276 in.	12	2,000	27 lb.	
GTCDS234B	9 x 2 3/4 in.	T20 Star	0.276 in.	12	2,000	27 lb.	
GrabberGard® Tan							
9212T	9 x 2 1/2 in.	T20 Star	0.276 in.	12	2,000	24 lb.	Reverse upper threads, Double Type 17 point

¹TPI stands for Threads Per Inch. This is a count of the number of threads per inch measured along the length of a fastener.

Composite Deck Board-to-Wood Screw
PS1019 USA-ENG/Rev. 2-26

Grabber Construction Products, Inc.
3125 W. Executive Pkwy., Suite 200
Lehi, UT 84048

(800) 477-8876 | GrabberPro.com

SAFETY FIRST: Wear appropriate personal protective equipment. Read applicable SDS and literature before handling and installation.

TECHNICAL INFORMATION: Technical information contained herein is furnished without charge or obligation and is given and accepted at the recipient's sole risk. Because conditions of use may vary and are beyond our control, Grabber Construction Products makes no representation about, and is not responsible or liable for, the accuracy or reliability of data associated with uses of any product described herein. Grabber Construction Products reserves the right to modify this document without prior notice.

© 2026 Grabber Construction Products, Inc. | All rights reserved | Printed in U.S.A.
The trademarks Grabber, GrabberGard, and Stylized G on Grabber Fasteners, are trademarks of Grabber Construction Products, Inc.

