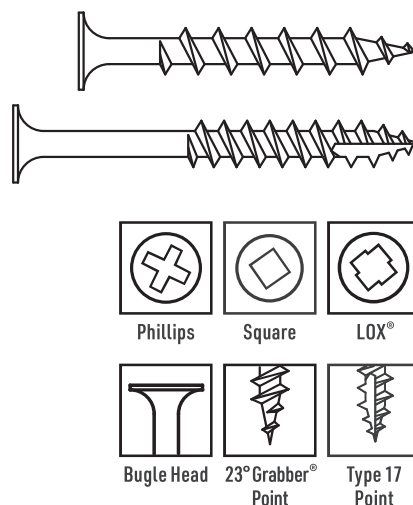
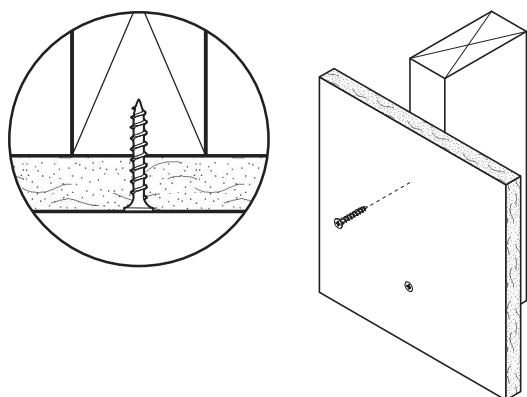


Bugle Head Drywall Screw

Gypsum Board to Wood

GRABBER
CONSTRUCTION PRODUCTS



Description Attaches gypsum board to wood.

Specifications

Size | Gauge: #6 to #10
Length: 1 in. to 4 in.
Head Type: Bugle
Recess Type: #2 Phillips, #2 Square, #2 LOX®
Thread Type: Coarse
Thread Length: Varies by item. Refer to the thread length reference section for specific dimensions.

Finish: GrabberGard®, Stainless Steel
Quality Assurance: Grabber® fasteners are manufactured in ISO 9001 and ISO 14001 certified and approved factories.
LEED Reporting: The post-consumer recycled steel content is 25%.
Compliance: The fasteners comply with ASTM C1002 performance requirements.

Applications

- 3/8 in., 1/2 in., and 5/8 in. single-layer gypsum board-to-wood studs and joists
- 1/2 in. and 5/8 in. double-layer gypsum board-to-wood studs and joists

- Insulation to pressure-treated wood
- OSB or plywood to wood
- Wood-to-wood applications

Installation

- Use a standard screw gun with a depth-sensitive nose piece. Suggested screw gun specification for optimal performance: sizes #6 to #10, up to 4,000 RPM.
- For gypsum board, the bugle head is fully seated when the screw is below the surface of the wallboard, in accordance with ASTM C1002.

- For wood-to-wood connections, minimum penetration should be 1/2 in., in accordance with AWC-NDS for wood construction.
- Overdriving may result in failure of the fastener or failure of the gypsum board.

Features

- A coarse thread screw for exterior wood-to-wood applications.
- Extra-sharp, 23° Grabber® point, designed to penetrate quickly and easily.
- GrabberGard® finish is compliant for all types of pressure and preservative treated wood applications.

- Grabber's #2 Phillips recess is a precision recess designed for better bit engagement, resulting in less wobble or strip-out.
- Stainless steel items can be used in MRI or other applications requiring nonmagnetic parts.

Bugle Head Drywall Screw

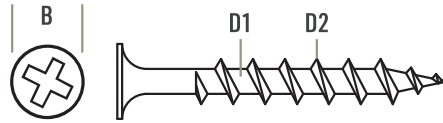
Gypsum Board to Wood

GRABBER
CONSTRUCTION PRODUCTS

Standard Corrosion Test Results

Finish	Test	Standard/Protocol	Results
GrabberGard®	Salt Spray	ASTM B117	1,000 hrs., no red rust

Note: Salt Spray Testing (SST) results are not intended to predict corrosion in real-world environments. The ASTM B117 standard for SST is recognized industry-wide as an effective tool for comparing different metals and different metal coatings in a tightly controlled, highly corrosive environment for specific periods of time. For more information about corrosion resistance, refer to Grabber's Coatings and Corrosion Resistance Classifications in the Technical Data section of Grabber Fastener Solutions, PG1000. Consult with a corrosion specialist or the architect or engineer of record for detailed guidance and recommendations specific to your project.



Product Dimensions

Size	B Head Dia.	Recess	D1 Minor Dia.	D2 Major Dia.	TPI ¹
#6	0.325 in.	#2 Phillips	0.089 in.	0.138 in.	8
#7	0.321 in.	#2 Phillips	0.100 in.	0.151 in.	8
	0.325 in.	#2 Phillips	0.100 in.	0.151 in.	8
#8	0.321 in.	#2 Phillips	0.114 in.	0.164 in.	8
	0.325 in.	#2 Phillips	0.104 in.	0.164 in.	8
#10	0.321 in.	#2 Phillips	0.132 in.	0.190 in.	8
	0.343 in.	#2 Phillips	0.132 in.	0.190 in.	8
	0.344 in.	#2 Square	0.132 in.	0.190 in.	8
	0.346 in.	#2 LOX®	0.132 in.	0.190 in.	8

¹TPI stands for Threads Per Inch. This is a count of the number of threads per inch measured along the length of a fastener.

Thread Length: Dimensions vary by item. Consult the thread length reference section at the back of the catalog for item-specific details.

Ordering Information and Product Options

Item No.	Size	Recess	Head Dia.	TPI ¹	Quantity	Weight	Special Features
GrabberGard® Gray							
100RG	6 x 1 in.	#2 Phillips	0.325 in.	8	10,000	31 lb.	
200RG	6 x 1 1/8 in.	#2 Phillips	0.325 in.	8	10,000	34 lb.	
300RG	6 x 1 1/4 in.	#2 Phillips	0.325 in.	8	8,000	30 lb.	
400RG	6 x 1 5/8 in.	#2 Phillips	0.325 in.	8	5,000	23 lb.	
500RG	7 x 2 in.	#2 Phillips	0.321 in.	8	3,500	23 lb.	
600RG	7 x 2 1/4 in.	#2 Phillips	0.321 in.	8	3,000	23 lb.	
900RG	8 x 2 1/2 in.	#2 Phillips	0.325 in.	8	2,500	24 lb.	
1100RG	8 x 3 in.	#2 Phillips	0.325 in.	8	2,000	23 lb.	
1200RG	10 x 3 1/2 in.	#2 Phillips	0.343 in.	8	1,000	18 lb.	
1300RG	10 x 4 in.	#2 Phillips	0.343 in.	8	1,000	21 lb.	
C300RG	6 x 1 1/4 in.	#2 Phillips	0.325 in.	8	1,000	5 lb.	Collated
C400RG	6 x 1 5/8 in.	#2 Phillips	0.325 in.	8	1,000	5 lb.	
C500RG	7 x 2 in.	#2 Phillips	0.325 in.	8	1,000	5 lb.	
C900RG	8 x 2 1/2 in.	#2 Phillips	0.325 in.	8	1,000	5 lb.	

¹TPI stands for Threads Per Inch. This is a count of the number of threads per inch measured along the length of a fastener.

Bugle Head Drywall Screw

Gypsum Board to Wood



Ordering Information and Product Options (continued)

Item No.	Size	Recess	Head Dia.	TPI ¹	Quantity	Weight	Special Features
GrabberGard® Red							
C400RRG	6 x 1 5/8 in.	#2 Phillips	0.325 in.	8	1,000	5 lb.	Collated
C500RRG	7 x 2 in.	#2 Phillips	0.325 in.	8	1,000	5 lb.	
300RRG	6 x 1 1/4 in.	#2 Phillips	0.325 in.	8	8,000	30 lb.	
500RRG	7 x 2 in.	#2 Phillips	0.321 in.	8	3,500	23 lb.	
900RRG	8 x 2 1/2 in.	#2 Phillips	0.321 in.	8	2,500	24 lb.	
1100RRG	8 x 3 in.	#2 Phillips	0.321 in.	8	2,000	23 lb.	
1200RRG	10 x 3 1/2 in.	#2 Phillips	0.321 in.	8	1,000	18 lb.	
302 Stainless Steel							
10250SSQ	10 x 2 1/2 in.	#2 Square	0.344 in.	8	2,500	31 lb.	Type 17 point
305 Stainless Steel							
8300SS305	8 x 1 1/4 in.	#2 Phillips	0.325 in.	8	5,000	25 lb.	Nonmagnetic fastener application
316 Stainless Steel							
CB10300L316	10 x 3 in.	#2 LOX®	0.346 in.	8	1,000	5 lb.	Collated, Type 17 point

¹TPI stands for Threads Per Inch. This is a count of the number of threads per inch measured along the length of a fastener.
 Note: Product availability is subject to change without prior notice and the availability of products may differ from what is printed in literature and displayed on our website.
 The items listed are bulk size. Most are also available in smaller packages such as 5 lb. and 1 lb. Contact your local Grabber Branch or GrabberPro for more information.

Bugle Head Drywall Screw
 PS1051 USA-ENG/Rev. 2-26

Grabber Construction Products, Inc.
 3125 W. Executive Pkwy., Suite 200
 Lehi, UT 84048

(800) 477-8876 | GrabberPro.com

SAFETY FIRST: Wear appropriate personal protective equipment. Read applicable SDS and literature before handling and installation.

TECHNICAL INFORMATION: Technical information contained herein is furnished without charge or obligation and is given and accepted at the recipient's sole risk. Because conditions of use may vary and are beyond our control, Grabber Construction Products makes no representation about, and is not responsible or liable for, the accuracy or reliability of data associated with uses of any product described herein. Grabber Construction Products reserves the right to modify this document without prior notice.

© 2026 Grabber Construction Products, Inc. | All rights reserved | Printed in U.S.A.
 The trademarks Grabber, GrabberGard, LOX, and Stylized G on Grabber Fasteners, are trademarks of Grabber Construction Products, Inc.

