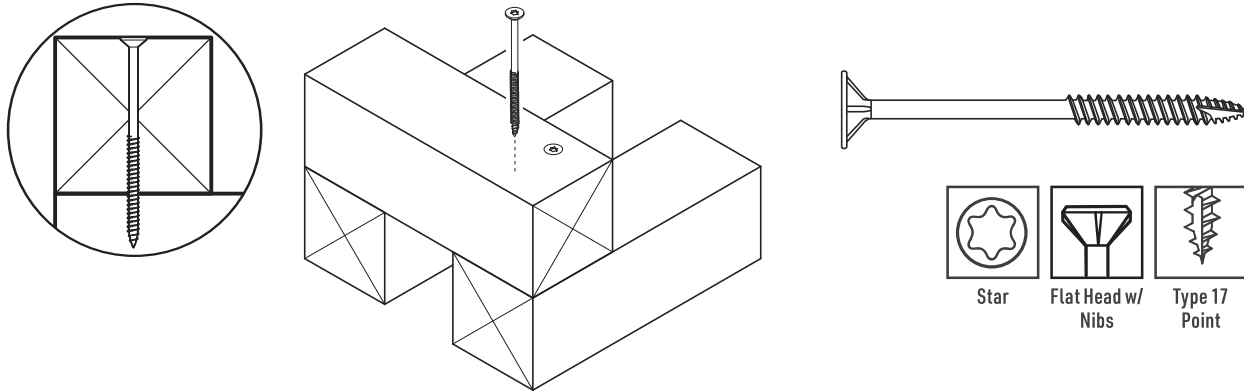


Tie-Master Structural Wood Screw

Wood to Wood

GRABBER
CONSTRUCTION PRODUCTS



Description Multi-purpose wood fastener for general wood construction, laminated beams, under-deck connections, trusses, and dimensional lumber.

Specifications

Size | Gauge: #14
Length: 4 in. to 10 in.
Head Type: Flat Head
Recess Type: T40 Star
Thread Type: Coarse
Thread Length: Varies by item.
 Refer to the thread length reference section for specific dimensions.

Finish: Mechanically galvanized
Quality Assurance: Grabber® fasteners are manufactured in ISO 9001 and ISO 14001 certified and approved factories.
LEED Reporting: The post-consumer recycled steel content is 25%.
Compliance: ICC ESR-3531; ASTM B695 Class 55.

Applications

- General wood-to-wood construction
- Decks, docks, and boardwalks
- Under-deck connections
- Trusses and dimensional lumber
- Laminated beams

Installation

- Use a standard screw gun with a depth-sensitive nose piece or an impact driver. Suggested screw gun specification for optimal performance: size #14, up to 2,500 RPM.
- The head is fully seated when flush with the work surface.
- The fastener should penetrate the wood at least 1 1/8 in., in accordance with AWC-NDS for wood construction.
- Overdriving may result in failure of the fastener.

Features

- Flat head design provides better holding power in wood-to-wood applications. Underhead nibs ensure flush countersinking.
- DrawTite shank pulls wood members together, creating a tight seal between boards.
- Mechanically galvanized against corrosion to ASTM B695 Class 55.
- Grabber's galvanized coating is ACQ compliant.
- The Type 17 point starts and drives into most common wood species without predrilling.

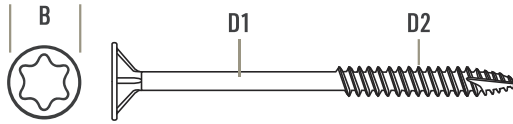
Tie-Master Structural Wood Screw

Wood to Wood

GRABBER
CONSTRUCTION PRODUCTS

Standard Corrosion Test Results

Finish	Test	Standard/Protocol	Results
Mechanically Galvanized	Coating Thickness Classification	ASTM B695	Class 55



Product Dimensions

Size	B Head Dia.	Recess	D1 Minor Dia.	D2 Major Dia.	TPI ¹
#14	0.560 in.	T40 Star	0.185 in.	0.242 in.	10

¹TPI stands for Threads Per Inch. This is a count of the number of threads per inch measured along the length of a fastener.

Thread Length: Dimensions vary by item. Consult the thread length reference section at the back of the catalog for item-specific details.

Ordering Information and Product Options

Item No.	Size	Recess	Head Dia.	TPI ¹	Quantity	Weight	Special Features
Mechanically Galvanized							
GTIE4	14 x 4 in.	T40 Star	0.560 in.	10	500	33 lb.	ICC ESR-3531, Underhead nibs, Type 17 point
GTIE6	14 x 6 in.	T40 Star	0.560 in.	10	500	41 lb.	
GTIE8	14 x 8 in.	T40 Star	0.560 in.	10	500	44 lb.	
GTIE10	14 x 10 in.	T40 Star	0.560 in.	10	500	47 lb.	

¹TPI stands for Threads Per Inch. This is a count of the number of threads per inch measured along the length of a fastener.

Note: Product availability is subject to change without prior notice and the availability of products may differ from what is printed in literature and displayed on our website. The items listed are bulk size. Most are also available in smaller packages such as 5 lb. and 1 lb. Contact your local Grabber Branch or GrabberPro for more information.

Tie-Master Structural Wood Screw
PS1061 USA-ENG/Rev. 2-26

Grabber Construction Products, Inc.
3125 W. Executive Pkwy., Suite 200
Lehi, UT 84048

(800) 477-8876 | GrabberPro.com

SAFETY FIRST: Wear appropriate personal protective equipment. Read applicable SDS and literature before handling and installation.

TECHNICAL INFORMATION: Technical information contained herein is furnished without charge or obligation and is given and accepted at the recipient's sole risk. Because conditions of use may vary and are beyond our control, Grabber Construction Products makes no representation about, and is not responsible or liable for, the accuracy or reliability of data associated with uses of any product described herein. Grabber Construction Products reserves the right to modify this document without prior notice.

© 2026 Grabber Construction Products, Inc. | All rights reserved | Printed in U.S.A.
The trademarks Grabber, and Stylized G on Grabber Fasteners, are trademarks of Grabber Construction Products, Inc.

