

GRABBER SuperDrive Auto-feed Screw System
WARRANTY

SuperDrive tools and system components are warranted to the original purchaser at retail to be free from defects in material and workmanship one year from the date of purchase.

The warranty shall only cover defects and not normal wear and tear, which occurs with use.

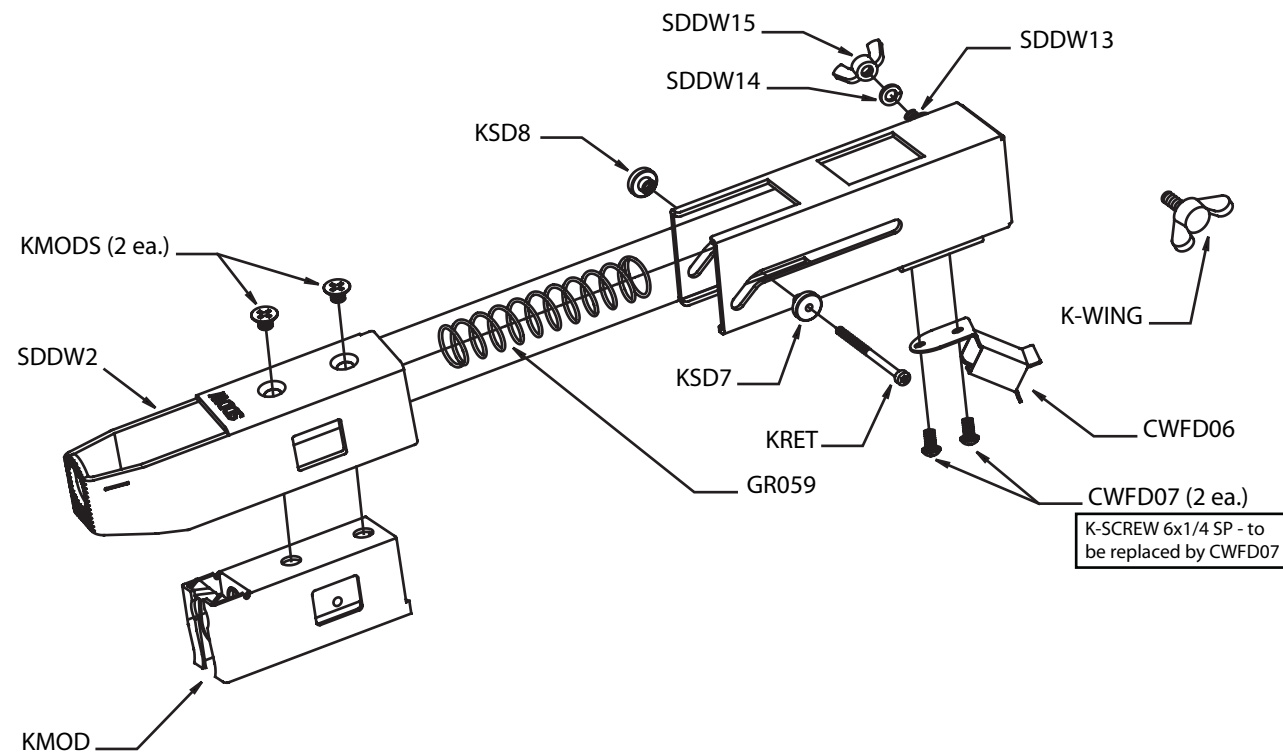
SuperDrive assumes no responsibility whatsoever for malfunctions, failures or defects resulting from misuse, abuse, neglect, alteration or modification. SuperDrive makes no warranty and shall not be liable as to the fitness of its tools or fasteners for any particular uses or applications. No other warranties, representations or promises as to the quality or performance of the SuperDrive fastening tool other than those contained herein are made.

ANY IMPLIED WARRANTY GRANTED UNDER STATE LAW, INCLUDING WARRANTIES OR MERCHANTABILITY OR FITNESS FOR A PARTICULAR PURPOSE, ARE LIMITED TO DURATION TO THE EXPRESS WARRANTY GRANTED HEREUNDER. SUPERDRIVE IN NO EVENT SHALL BE LIABLE FOR DIRECT, INDIRECT, INCIDENTAL, OR CONSEQUENTIAL DAMAGES, SO THE ABOVE LIMITATIONS AND EXCLUSIONS MAY NOT APPLY TO YOU.

SuperDrive® 80 Series

SDDW

PARTS LIST - 80 SERIES TOOL		QTY
KMODS	SCREWS (2 ea.), NOSEPIECE (80 & 85)	2
SDDW2	80 SERIES NOSEPIECE	1
KMOD	MODULE (80 & 85)	1
GR059	SPRING (80 & 85)	1
KRET	RETAINER SCREW (80 & 85)	1
KSD7	RETAINER PART A (80 & 85)	1
KSD8	RETAINER PART B (80 & 85)	1
K-WING	COUPLER WING SCREW (80 & 85)	1
SDDW13	80 SERIES DEPTH ADJUSTMENT BASE	1
SDDW14	80 SERIES LOCK WASHER	1
SDDW15	80 SERIES WING SCREW	1
CWFD06	FEED CLIP	1
CWFD07	FEED CLIP SCREWS (replace K-SCREW)	2
K-SCREW	80 SERIES FEED CLIP SCREWS (6x1/4 SP)	2



GRABBER
800.477.TURN
www.grabberman.com

Call 1-800-522-7355 or your sales rep. for replacement parts.
www.superdrive.info

SuperDrive® 80 Series

Operating Instructions For SuperDrive 80 Series SDDW

OPERATION

1. Check Driver Bit to make sure it is in good condition.
 - If it is broken or worn out, install a new one.
2. **IMPORTANT!** Make sure the forward-reverse switch is in the forward position.
3. Insert a strip of screws into the feed track. Pull it through and insert the front into the index module.
See **Figure 1**.

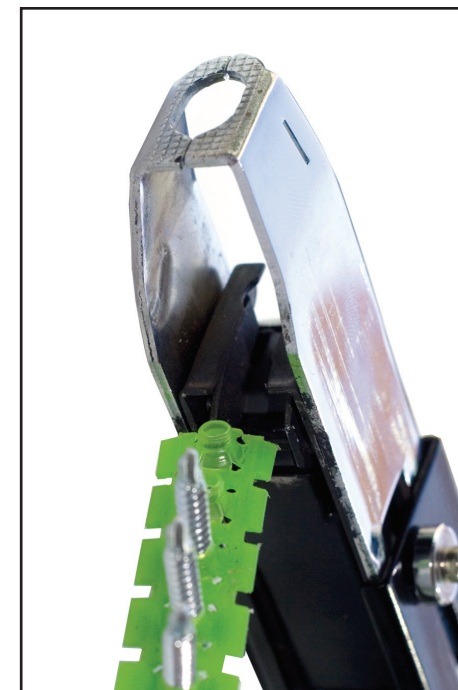


Figure 1

4. Stop with the screw 1 stop before reaching the top/center (screw advances on push stroke).
See **Figure 2**.
5. Depth Adjustment loosen wing screw to adjust up for "less deep" adjustment or down for "deeper" depth adjustment.
See **Figure 3**.

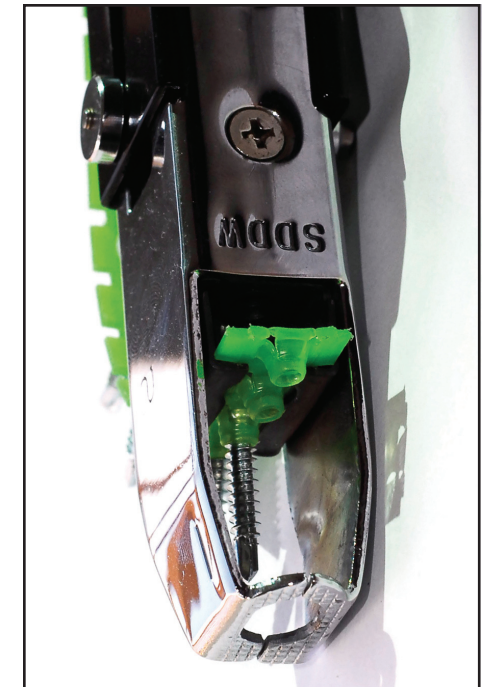


Figure 2

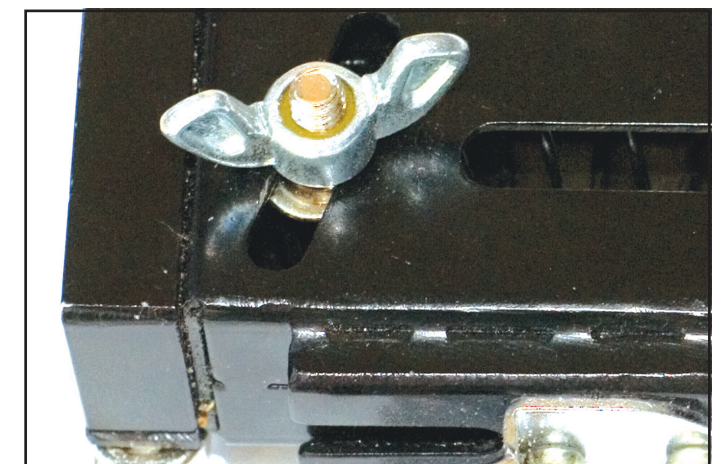


Figure 3

6. Turn on the motor before starting to drive screws.
 - The motor can be locked to the ON position.

OPERATION CONT.

7. Press the nosepiece with constant force against the work surface. Do not remove the tool from work surface until the clutch disengages and the bit stops rotating, signaling a fully driven screw.
8. Lift the tool enough to relieve all down pressure, allowing the feed mechanism to complete a full stroke before starting to drive another screw. The tool must complete a full stroke to advance screws properly.
9. Fine tune screw depth by first unplugging screwgun from electrical supply, then adjusting depth control as shown in **Figure 3**.

TROUBLESHOOTING

Screws are turning but not driving at all.

1. IMPORTANT! Be sure the screwgun is set to forward and not reverse.
2. Broken or worn out driver bit.
 - Call 1-800-522-7355 or your sales rep. for replacement parts.

Screws are miss-driving.

What causes mis-drives?

1. Broken or worn out driver bit.
2. Operating the SuperDrive too fast.
3. Not lifting the SuperDrive off the work surface before driving the next screw.
4. Strip is binding in the feed track or drywall clip.
5. Strip is binding in the index module.
 - Check for debris that may be built up in the index module.

Screws are not seating uniformly.

1. Not enough follow through in driving the screws.
2. Incorrect setting of the depth control.
 - Readjust.
3. Driver bit is worn and comes out of the recess before the screw is seated fully.
 - Call 1-800-522-7355 or your sales rep. for replacement parts.

Screws in the strip are being skipped.

1. If a screw is skipped and not driven, a tooth may be broken on the indexing gear.
 - The index module must be replaced.

2. Screw strip slips or comes out effortlessly from index module.
 - Index module is worn and must be replaced.

Bit seems to wear rapidly.

1. If the depth control is set to drive screws too deeply, excessive torque is required and can cause excessive wear of the bit. Adjust the screw depth accordingly.

CHANGING THE SPRING

If the collation strip advancement becomes weak, replace the spring (GR059)

1. Remove the retainer screw (KRET) from the retainer part B (KSD8) and remove worn spring.
2. Replace with new spring and reassemble retainer screw parts.

CHANGING THE INDEX MODULE

1. Remove retainer screw (KRET) from retainer part B (KSD8) and remove nosepiece (SDDW2).
2. Remove nosepiece screws (KMODS) - 2 ea. and replace with new module (KMOD).
3. Reassemble nosepiece screws (KMODS) and retainer screws.

CHANGING BIT

1. Due to wear or damage, the bit will need to be changed periodically or when changing from LOX, Phillips or Square Drive fasteners.
2. Loosen wing screw. (K-WING)
3. Remove bit.
4. Insert new bit.

Call 1-800-522-7355 or your sales rep. for replacement parts.

MAINTENANCE

1. Read section titled Safety Warnings before maintaining tool.
2. With tool unplugged from power supply, make daily inspection checking free movement of nose and trigger.
 - Do not use if parts stick.
3. Occasionally lubricate the index module roller (as shown in photo as white dots).
 - Lubricate with Tri-Flow or WD40.
4. Wipe tool with clean cloth daily and check for wear.

SAFETY WARNINGS

READ AND FOLLOW ALL INSTRUCTIONS

WARNING—When using electric tools, basic safety precautions should always be followed to reduce the risk of fire, electric shock and personal injury, including the following:

1. Keep work area clean and well lit. Cluttered benches and dark areas invite injury.
2. Avoid dangerous environment. Do not expose power tool to rain. Do not use power tools in damp or wet locations. Do not use tool in presence of flammable liquids, dust or gases. Power tools can create sparks which might ignite the dust or fumes.
3. Keep bystanders, children and visitors away while operating a power tool. Distractions can cause you to lose control.
4. Guard against electrical shock. Prevent body contact with grounded surfaces.
5. Double insulated tools are equipped with a polarized plug (one blade is wider than the other). This plug will fit in the outlet only way. If the plug does not fully fit in the outlet, reverse the plug. If it still does not fit, contact a qualified electrician to install a polarized outlet. Do not change the plug in any way.
6. Do not abuse cord. Never carry tool by cord or yank it to disconnect from receptacle. Keep cord away from heat, oil, sharp edges, or moving parts. Replace damaged cord immediately. Damaged cords increase the risk of electrical shock.
7. When operating tool outside, use an outdoor extension cord marked with "W-A" or "W". When using an extension cord, be sure to use one heavy enough to carry the current your product will draw.
8. Stay alert, watch what you are doing and use common sense when operating a power tool. Do not use while tired or under the influence of drugs, alcohol, or medication. A moment of inattention while operating power tools may result in serious personal injury.

9. Dress properly. Do not wear loose clothing or jewelry. Contain long hair. Keep your hair, clothing, and gloves away from moving parts. Loose clothes, long hair, or jewelry can be caught in moving parts.
10. Avoid accidental starting. Be sure switch is off before plugging in the tool. Carrying tools with your finger on the switch or plugging in the tool with the switch on invites accidents.
11. Remove adjusting keys and wrenches before turning the tool on. A wrench or key that is left attached to a rotating part of the tool may result in personal injury.
12. Do not overreach. Keep proper footing and balance at all times.
13. Use safety equipment. Always wear protective glasses. Dust mask, non-skid safety shoes, hard hat, or earplugs may be used for appropriate conditions.
14. Secure work. Use clamps or other practical way to secure and support the work piece to a stable platform. This leaves both hands free to operate the tool.
15. Do not force the tool. Use the correct tool for the application. The correct tool will do the job better and safer at the rate for which it is designed.
16. Store idle tools. When not in use, tools should be stored in dry and high or locked place—out of the reach of children and other untrained persons.
17. Disconnect the plug from power source before making adjustments, changing accessories, or storing tool.
18. Maintain tools with care. Keep tool clean. Follow instructions for lubricating and changing accessories.
19. Check for misalignment or binding of moving parts, and other conditions that may affect operation. If damaged have the tool serviced by a Grabber authorized service center before using.
20. Use only accessories recommended by manufacturer of tool. Accessories that are suitable for one tool may become hazardous when used on another tool.
21. Repairing tool. Any repairs to electric tools should be performed only by qualified personnel. Use only authorized parts.