



Heckmann Building Products Inc.

1501 N. 31st Avenue

Melrose Park, IL 60160-2911

800-621-4140 or 708-865-2403 Fax: 708-865-2640

www.heckmannbuildingprods.com

SUBMITTAL SHEET: #194 BAR-TYPE COLUMN ANCHOR

Standard Size: 1/4" thick x 1" wide x 6" long + 2" bend on flange and a 1 1/4" bend into the masonry. Electro Galvanized After Fabrication. Order in Pairs of 1 left and 1 right.

Available in different lengths and steel types.

Used to anchor block walls to structural steel when the column flanges are parallel to the wall. Anchors are welded to the column at the time of installation. For situations of compression loads, anchors should be welded to the column at the time of installation.

Stainless Steel:

Sheet metal anchors and ties: ASTM A 167 AISI Type 304.

Plate and bent bar anchors: ASTM A 666 AISI Type 304.

Wire ties and anchors: ASTM A 580 AISI Type 304.

Hotdip Galvanized:

ASTM A 153 Class B-2: (1.50 oz/ ft²).(0.46kg/m²)

Mill Galvanized:

Sheet metal anchors and ties: ASTM A 653 G60

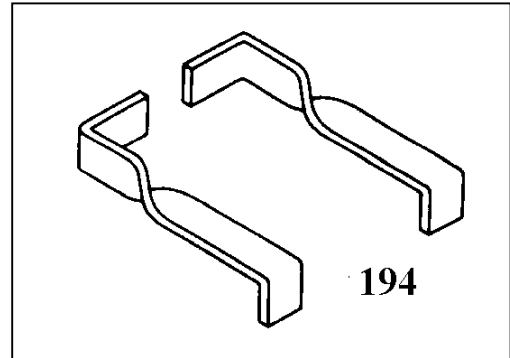
Wire: ASTM A 641 (0.1 oz/ ft².)

Plain Steel:

Sheet Metal anchors and ties: ASTM A 569, ASTM A 366.

Plates, bars, and shapes: ASTM A 123, ASTM A 36.

Wire: ASTM A 82, ASTM A 82-95a.



Approvals:

Comments: