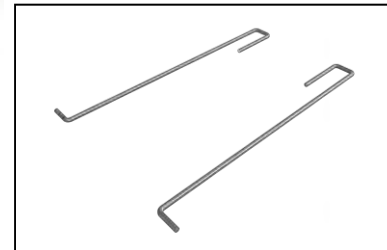
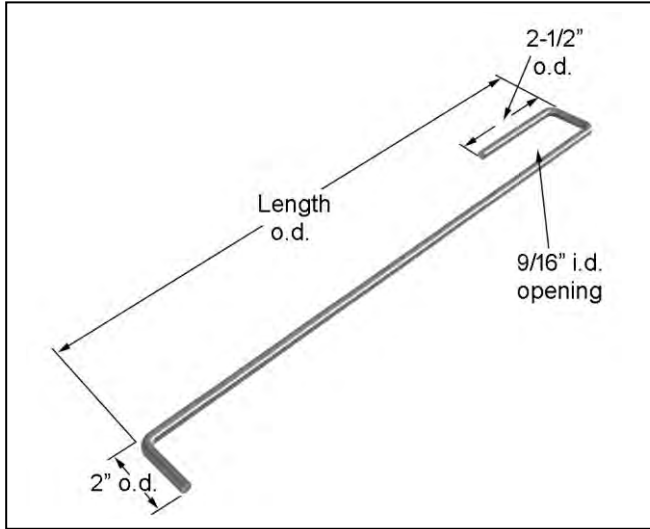


**Submittal Sheet
 #217 Wire-Type
 Column Anchors**

Used to tie masonry walls to steel columns with the column flanges perpendicular to the wall. Installed in pairs. For compression loads the anchor must be welded to the column flange.

Lengths are measured from the inside of the hook to the masonry bend.



Diameter: 3/16"

Length (od): 12" 14" 16" or Length: _____

Finish: Stainless Steel Hotdip Galvanized

Quantity (pcs): _____

Material Specifications

Stainless Steel: Wire ties and anchors: ASTM A 580 AISI Type 304