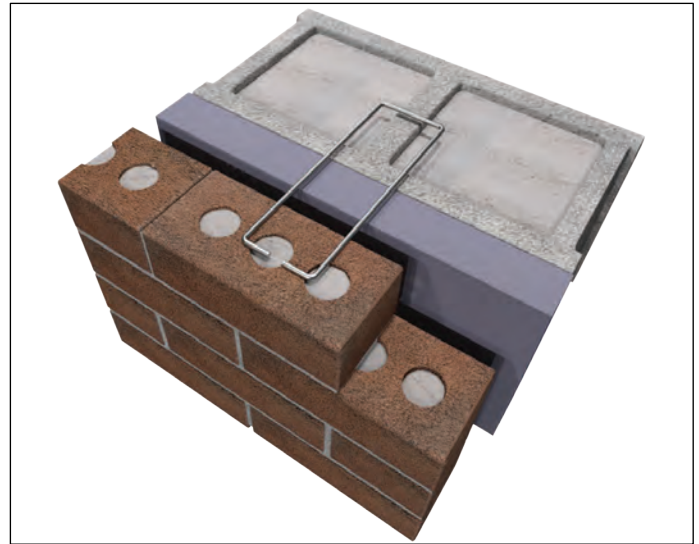
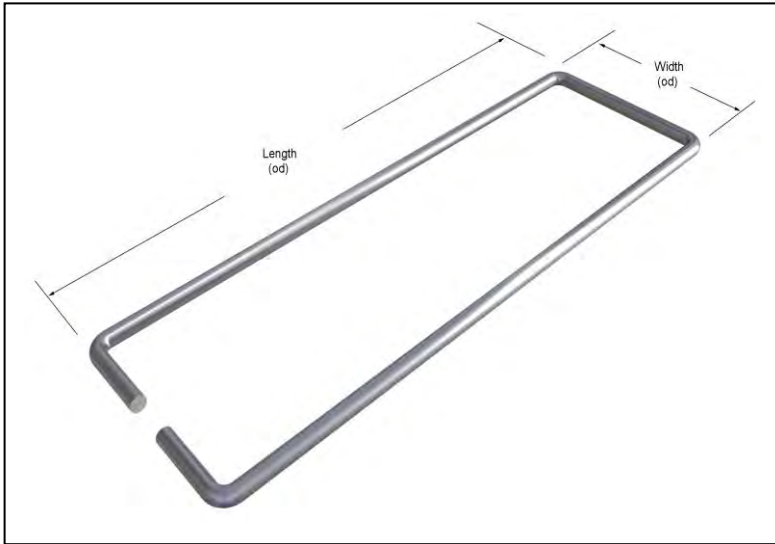


Submittal Sheet
#253 Rectangular
Wire Wall Tie

Used for tying two Composite or Non-Composite masonry walls with or without grouted cells.
 (Note: Anchors with drips are no longer permitted in the Masonry Code)



Standard **Special**

Standards:

Diameter: 3/16" Width: 2" 4"

Length: 6" 8" 10" 12"

Finish: Hot Dip Galvanized Stainless Steel

Specials:

Thickness: 3/16"

Length (od): _____ Width (od): _____

Finish: Stainless type 304 Hot Dip Galvanized

Quantity: _____

Material Specifications

Stainless Steel: Sheet metal anchors and ties:
 ASTM A 167, ASTM A 666, ASTM A
 240/A240M AISI Type 304.
 Wire ties and anchors: ASTM A 580 AISI Type
 304

Hotdip Galvanized: ASTM A 153 Class B-2:
 (1.50 oz/ ft²)(0.46kg/m²)

Plain Carbon Steel: ASTM A1008/A1008M
 Structural Steel ASTM A36/A36M-08
 Wire: ASTM A 82/A82M Tensile Strengths
 80,000 psi Yield Point 70,000 psi