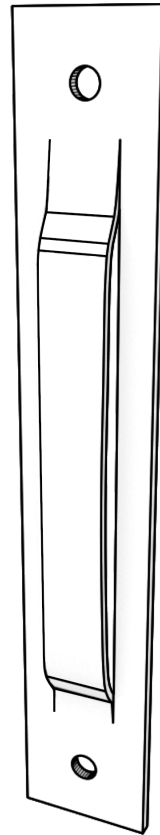
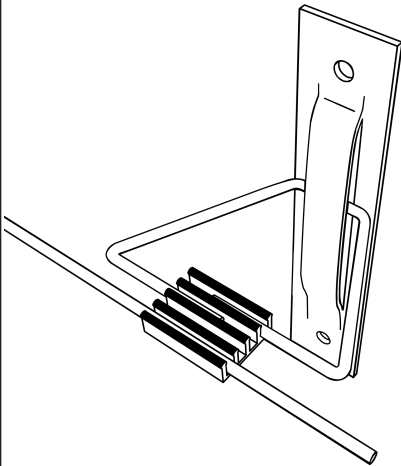




**Submittal Sheet
#315-D
Screw-On
Anchor Plate**



See #316 for Triangle Wire Tie & #363 Plastic Seismic Clip

QUANTITY: _____

THICKNESS:
12 ga 14 ga

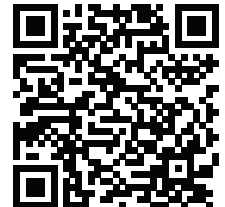
LENGTH: 5-1/2"

WIDTH: 1-1/4"

HOLE SIZE: 5/16"

MATERIAL TYPE:

Type 304 Stainless Steel
Hot-Dip Galvanized



**CLICK OR SCAN
FOR MATERIAL
SPECIFICATIONS**

Stainless Plate Min. Fy. = 45,000 psi (ASTM A666)

PROJECT DETAILS:

LOCATION:

PROJECT NAME:

NOTES:

CONTACT INFO

NAME: _____

COMPANY: _____

PHONE: _____

E-MAIL: _____

Heckmann is not responsible for your choice of anchors and dimensions for your project. The choice of anchors and products should be decided by the architects or engineers knowledgeable with the project. Once a custom order has been placed it cannot be cancelled or returned. Any changes to the original order may require additional charges. Your signature is required for us to proceed. By signing this order, you agree that you have reviewed the details and specifications of the custom order and that said details and specifications are per your request. Further, by signing this order you are waiving any claim against or right of non-payment for products produced to the specifications of the order.

DATE: _____

ACCEPTED BY: _____

REVISED: 09/2022