



Heckmann Building Products Inc.

1501 N. 31st Avenue

Melrose Park, IL 60160-2911

800-621-4140 or 708-865-2403 Fax: 708-865-2640

www.heckmannbuildingprods.com

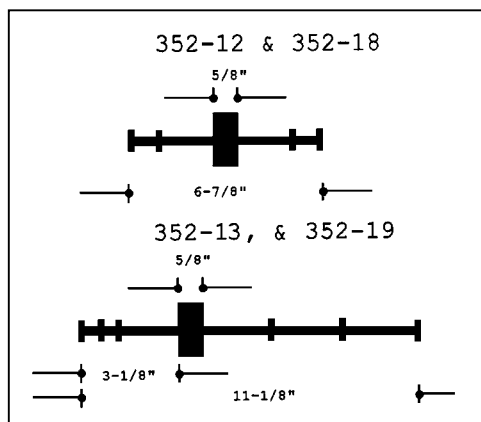
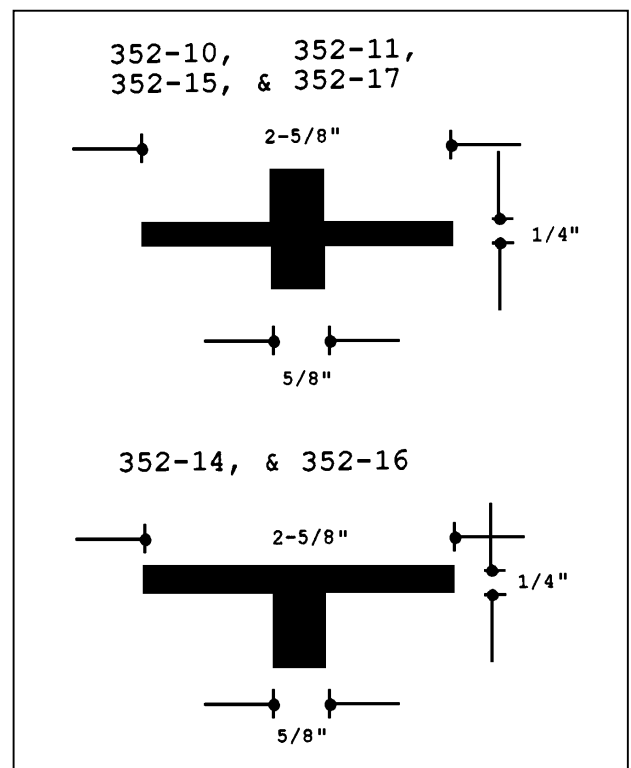
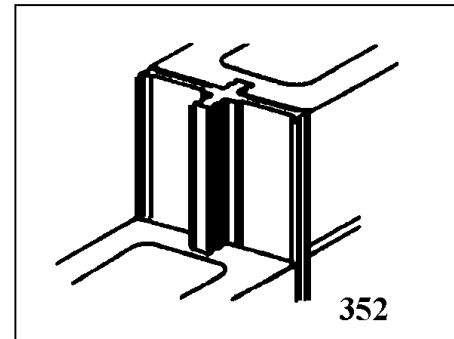
SUBMITTAL SHEET: #352 CONTROL JOINT (PVC & RUBBER)

Vertical control joints allow for expansion and contraction of masonry walls while reducing the possibility of air and water penetration. They are used with standard sash block and other masonry wall materials.

352-10 Rubber 48" long & 352-15 Rubber 32" long are manufactured from a high grade of synthetic rubber compound with durometer hardness of 80 shore A when tested in conformance with ASTM D-2240.

352-11 PVC 48" long & 352-14 Tee PVC 32" long are manufactured from PVC compound grade conforming to ASTM D-2287 - 554. They conform to a durometer hardness of 80 +/- 5 shore A when tested in conformance with ASTM D-2240.

352-16 PVC Tee 32" long, 352-17 PVC 32" long, 352-12 48" long, 352-13 48" long, 352-18 32" long, & 352-19 32" long are manufactured from PVC compound grade conforming to ASTM D-2287 - 654. They conform to a durometer hardness of 85 +/- 5 shore A when tested in conformance with ASTM D-2240.



Approvals:

Comments: