



# Heckmann Building Products Inc.

1501 N. 31<sup>st</sup> Avenue

Melrose Park, IL 60160-2911

800-621-4140 or 708-865-2403 Fax: 708-865-2640

[www.heckmannanchors.com](http://www.heckmannanchors.com)

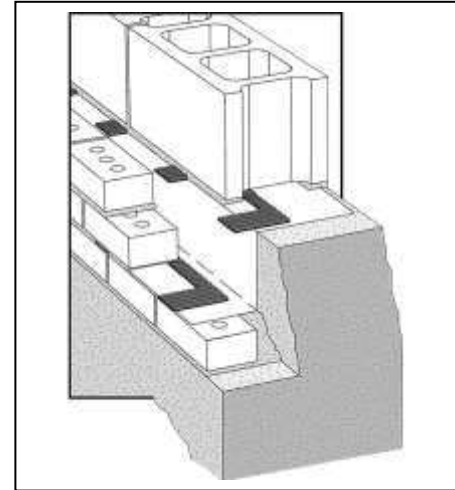
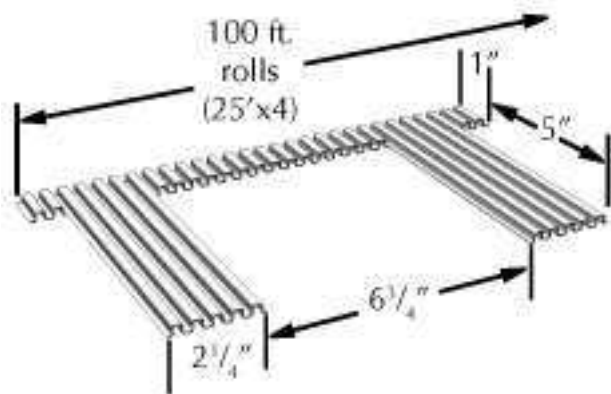
## SUBMITTAL SHEET: No. 366 Cavity Vent™ Weep System

The Cavity Vent™ Weep System creates many openings at the lowest point of the cavity or core of the wall, continuously along the wall.

- Forms the bottom side of the bed joint of mortar.
- 3/16" thickness does not interrupt normal layout.
- Creates 4 vent holes every 9-1/2" on entire perimeter.
- Maintains bearing & bond

### INSTALLATION:

- Clean installation surface.
- Cavity Vent™ should be positioned on flashings and waterstops with continuous edge toward back of cavity and the intermittent edge extending to the walls exterior, past edge of brick ledge.
- Apply bed joint of mortar.
- Install masonry units on bed of mortar, following normal installation procedures.
- Tool and finish mortar joints.
- Use common utility knife to score Cavity Vent™ at wall line.
- Break off excess Cavity Vent™ on scored line.



**Material:**  
High Impact Polystyrene

Approvals:

Comments: