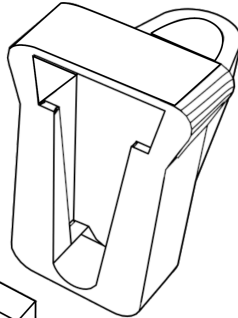
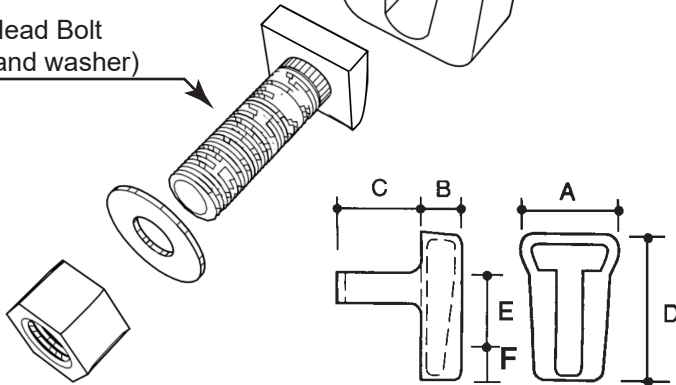


#425 Shelf Angle Wedge Insert



#427 Askew Head Bolt (includes nut and washer)



Dimensions (in inches)

Size	Cat no	A	B	C	D	E	F
3/4	425-6H	2-5/16	1-3/16	2-1/2	3-7/8	1-3/4	1
3/4 Long	425-6LH	2-1/4	1-1/4	2-3/8	5-1/2	3	1

Material Specifications

Malleable Iron Specifications:

ASTM A47-B4 Ferritic Malleable Iron Castings Class/Grade 32510
 Min Tensile Strength psi 60,000
 Min. Yield Strength - psi 32,500
 (Elongation in tension 10%)
 Microstructure is Temper carbon and ferrite

For additional information on Specifications of Shelf Angle Inserts

Refer to the following:

ASME B18.2.1-2010 - Askew Head Bolts - American National Standards Institute.

Load Values (ultimate loads):

Shear: 425-6H 16,750 lbs

425-6HL 17,305 lbs

Tension: 425-6H -13,200 lbs

425-6HL 17,367 lbs

Concrete Strength: 4,125 psi

Torque: 150 ft/lbs

Heckmann advises a safety factor of 3 be applied to the above loads.

QUANTITY: _____

STANDARDS: No Inserts - Bolts only

425-6H 3/4" Regular Wedge Insert

425-6LH 3/4" Long Wedge Insert

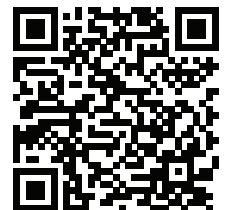
No Bolts - Inserts Only

427 Askew Head Bolt -3/4" Diameter:

Length: 2" 2-1/2" 3" 4" 6"

MATERIAL TYPE:

Hot Dip Galvanized



CLICK OR SCAN FOR MATERIAL SPECIFICATIONS

PROJECT DETAILS:

LOCATION: _____

PROJECT NAME: _____

NOTES: _____

CONTACT INFO

NAME: _____

COMPANY: _____

PHONE: _____

E-MAIL: _____

Heckmann is not responsible for your choice of anchors and dimensions for your project. The choice of anchors and products should be decided by the architects or engineers knowledgeable with the project. Once a custom order has been placed it cannot be canceled or returned. Any changes to the original order may require additional charges. Your signature is required for us to proceed. By signing this order, you agree that you have reviewed the details and specifications of the custom order and that said details and specifications are per your request. Further, by signing this order you are waiving any claim against or right of non-payment for products produced to the specifications of the order.

DATE: _____

ACCEPTED BY: _____