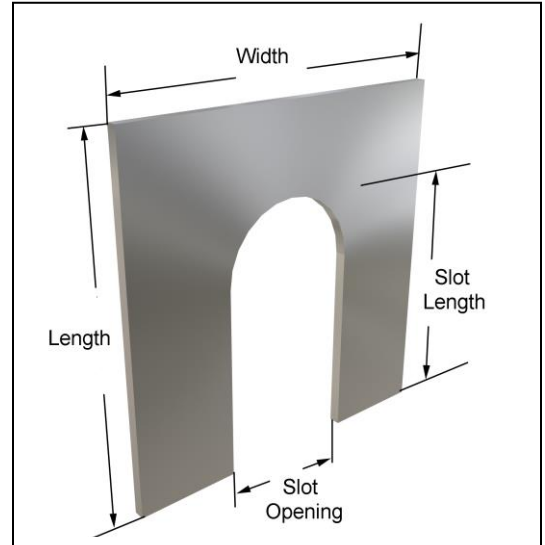


**Submittal Sheet
#443 Horseshoe Shims**

Standard	Special	
STANDARD: 4" x 3" Hotdip Galvanized with a 13/16" x 3" Slot.		
1/16"	1/8"	1/4"
3/8"	1/2"	



SPECIALS:

Thickness: 1/2" 3/8" 1/4" 1/8" 1/16"

Length: _____ Width: _____

Slot Opening: _____ Slot Length: _____

Finish: Stainless type 304 Plain Steel

Quantity: _____

Material Specifications

Stainless Steel: Sheet metal anchors and ties: ASTM A 167, ASTM A 666, ASTM A 240/A240M AISI Type 304. (AISI Type 316 available upon request)

Hotdip Galvanized: ASTM A 153 Class B-2: (1.50 oz/ ft².) (0.46kg/m²)

Plain Carbon Steel: ASTM A1008/A1008M Structural Steel ASTM A36/A36M-08