

Submittal Sheet
#75 Original Pos-I-Tie® System
#75TC Pos-I-Tie® ThermalClip®

The Pos-I-Tie® system is a single barrel screw that penetrates insulation/gypsum to provide a solid connection with the backup wall for transfer of lateral loads while sealing the exterior hole with an EPDM washer and an optional #610 Thermal-Grip® 2" continuous insulation washer.

The Original Pos-I-Tie® is a two piece system consisting of a barrel screw and a looped triangle wire tie.

The Pos-I-Tie® ThermalClip® can be attached to the barrel screw and a pintle wire tie is used instead of the looped triangle tie.

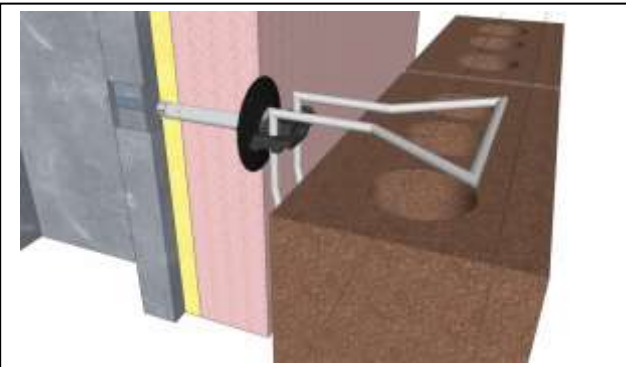
Compliant with TMS 402 Building Code for Masonry Structures.

Passed ASTM E23457 and E331 Air Leakage and Water Resistance tests and ASTM E119 Structural Fire Resistance test.

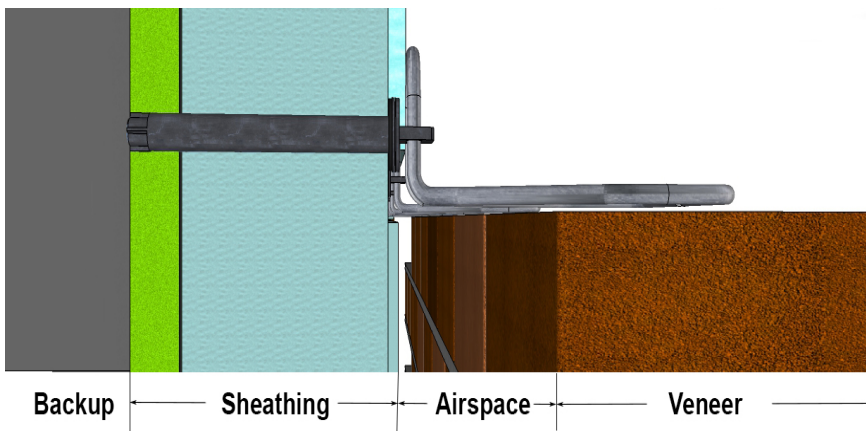
Passed NFPA 285 Standard Fire Test Method for Evaluation of Fire Propagation with the CavityComplete® wall system.



The Original Pos-I-Tie® System



The Pos-I-Tie® ThermalClip® System



Input wall configuration: Sheathing is combination of gypsum and insulation. If plywood is used do not add that thickness to the insulation thickness

Material Specifications


- Barrel:** ASTM B86 (92% Zinc Alloy)
- Screw:** ASTM A510 (Carbon Steel)
ASTM C954 (1000 hr polymer coating)
- Wire Tie: Stainless** – ASTM A580 AISI Type 304.
- Plain** – ASTM A82/A82M Tensile 80KSI Yield – 70KSI.
- Hotdip Galvanized:** ASTM A 153 Class B-2: (1.50 oz/ ft²)(0.46kg/m²)
- ThermalClip®:** Radel® R-5000 polyphenylsulfone resin/polymer




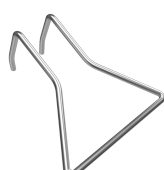
Easy guide to select the RIGHT Pos-I-Tie System for your job!

1. **Screw Type:** Steel Stud Backup Concrete/CMU/Wood Backups Other _____
Select back up for proper screw type

2. **Barrel Lengths:** 5/8" 1" 1-1/2" 2" 2-1/2" 3" 3-1/2" 4" 4-1/2"
Go to page 3 for Barrel Length Calculator Custom Length: _____

3. **#610 ThermalGrip® 2" CI Washer (optional)** Yes No 
For walls with Continuous Insulation

4. **#75TC ThermalClip®** Yes 
For walls that require a Thermal Brake No

5a. **#282-N Pintle Wire Ties** 
(Used WITH #75TC ThermalClip® only)
Steel Type: Hotdip Galvanized
 Type 304 Stainless Steel
Pintle Tie Length: 3" 3-1/2" 4" 5"
 Custom Length: _____

5b. **Looped Triangle Wire Tie** 
(Used WITH Original Barrel Screw only)
Steel Type: Hotdip Galvanized
 Type 304 Stainless Steel
Triangle Length: 3" 3-1/2" 4" 5"
 Custom Length: _____

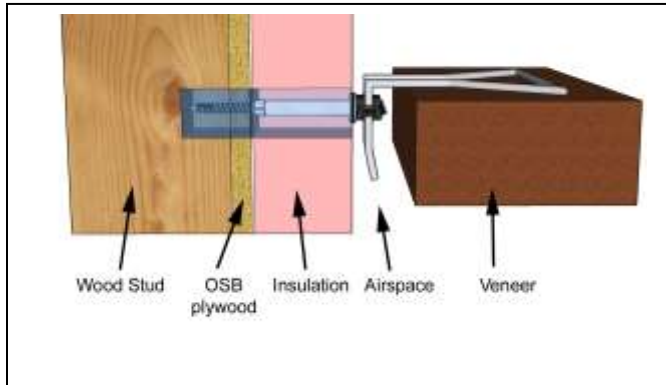
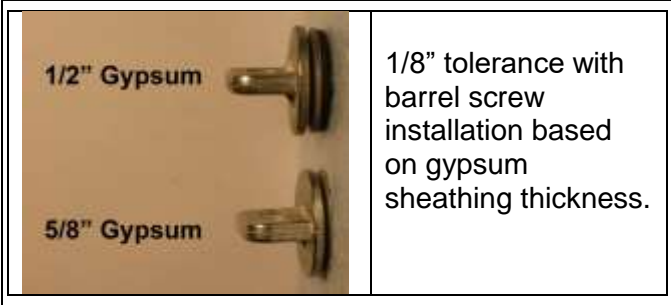
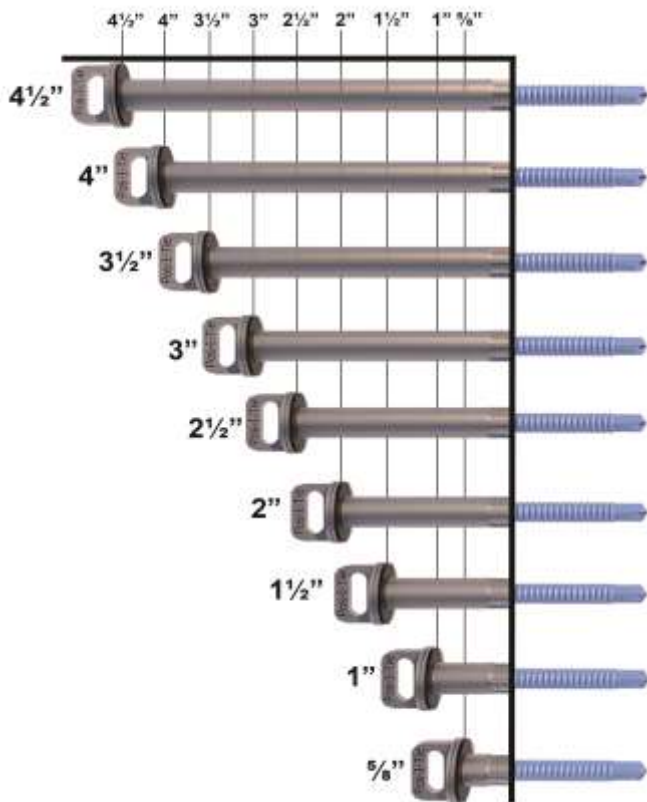
Quantity of Barrel Screws/Wire Ties: _____

Installation Chuck Tool 
Quantity: _____

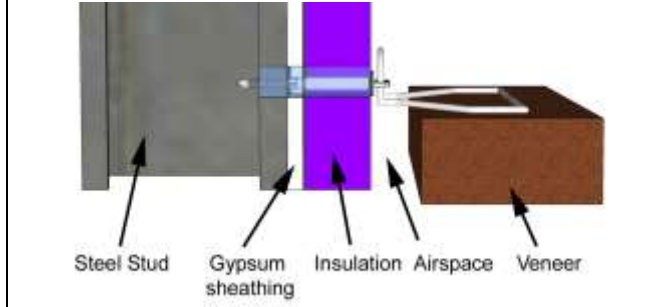
Submittal Sheet
#75 Original Pos-I-Tie® System
#75TC Pos-I-Tie® ThermalClip®

Determining the correct barrel length:

The Pos-I-Tie® Barrel Screw will cut through insulation and gypsum board but not through OSB and Plywood. The barrel length will be a combination of the insulation and the gypsum. There is a 1/8" tolerance in the EPDM washer under the barrel head that will seal the hole with 1/2" gypsum and dimple into the insulation for 5/8" gypsum.






Wood Stud backup with OSB – Pos-I-Tie® Barrel Screw penetrates Insulation Only



Steel Stud backup – Pos-I-Tie® Barrel Screw penetrates gypsum sheathing and insulation

Optional Pos-I-Tie® configurations:

<p>Plywood/OSB</p>  <p>Gypsum Board</p> 	 <p>1/4" bump-out for odd sized insulation panels</p>
<p>Extra-long screw for plywood or OSB over steel studs</p>	