

STEEL-WICH, INC. "The Original Telescoping Rebar Positioner"™

P.O. Box 1936, Buffalo, NY 14240
716-683-7526 (O), 716-683-9967 (F)

Installation Guidelines for the CMU Telescoping Rebar Positioner™ [TRP]

STEP 1: Erect the load bearing masonry wall on the foundation (with dowels already in place). Continue to lay concrete blocks up to the eighth (8th) course, 5 ft 4in height, without installing any additional vertical reinforcing.

STEP 2: When finished installing the eighth (8th) course, drop two (2) steel rebar dowels (6 ft long) in each block core requiring reinforcement.

INSTALL the Telescoping Rebar Positioner [TRP], SEE FIG. #1, hold the rebar (vertically) with your left hand, take a [TRP], grasp the long end with your right hand, guide the open end of the [TRP] (horizontally) across the vertical rebar, pull the [TRP] so that the rebars slide *just* past the centering knob of the device, SEE FIG. #3.

At this point you will find the rebars securely fastened to the [TRP]. Next, rotate the rebars so that the raised vertical ridges on each side of the rebar are in contact with the [TRP], allowing the [TRP] to slide freely against the rebars, SEE FIG. #2A.

Center and position the rebars in the block core, grasping each end of the [TRP], slide the [TRP] down (vertically) onto the top of the concrete block, making sure that each end of the [TRP] is straddling the end or center block webs, and that the device is resting *flush* on the webs. The open end of the [TRP] should be resting on the center web, allowing for another [TRP] with rebar to be placed in the adjacent block core, SEE FIG. #3 & 4.

To secure the rebar in position rotate the rebar 1/4 turn, the diagonal ribs of the rebar against the [TRP] will lock it into position, SEE FIG. #2B & 2C.

Apply a full bed of mortar bed joint, and lay your next block course, the [TRP] is now embedded between the block coursing and the installation is complete.

STEP 3: Lay an additional one or two courses of block. For full unlimited vertical movement of the positioned steel rebar use the "Telescoping Rod Action" feature of the [TRP]. Reach down into the block core and grasp the Telescoping Rebar (rebar furthest from the centering knob). Rotate rebar 1/4 turn to disengage the locking feature, SEE FIG. #2A.

Pull rebar up vertically to the desired height and rotate another 1/4 turn to re-engage locking feature, SEE FIG. #2B & 2C. Continue with this procedure until rebar is fully telescoped (extended), another eight (8) courses, SEE FIG. #5.

* Repeat Steps 2 & 3 to install additional Telescoping Rebar Positioners [TRP] as required, SEE FIG. #5.

NOTE: CMU Telescoping Rebar Positioner™ and the "Steel-Wich Method"™ are both [Patented. Patent No. 6,141,937](#)

TELESCOPING REBAR POSITIONER™ [TRP]

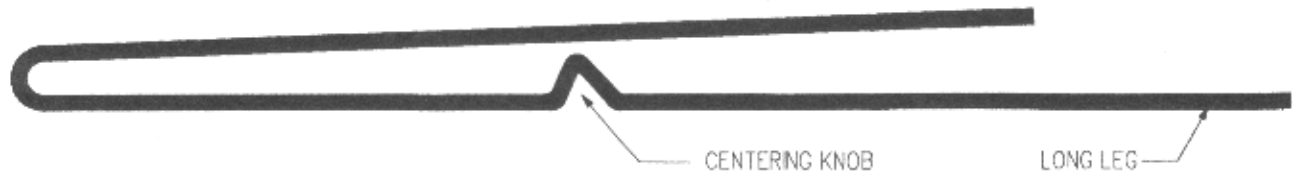


FIGURE #1
TOP (PLAN) VIEW

Patent No.
6,141,937

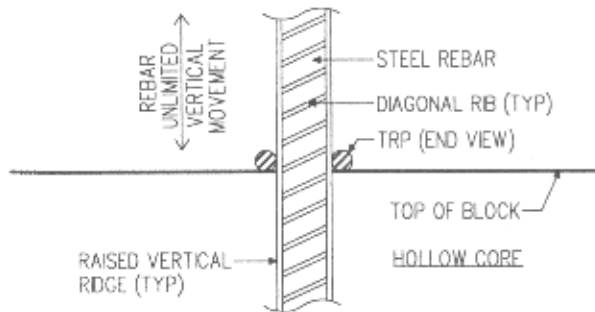


FIGURE #2A
(REBAR DISENGAGED - UNLOCKED)

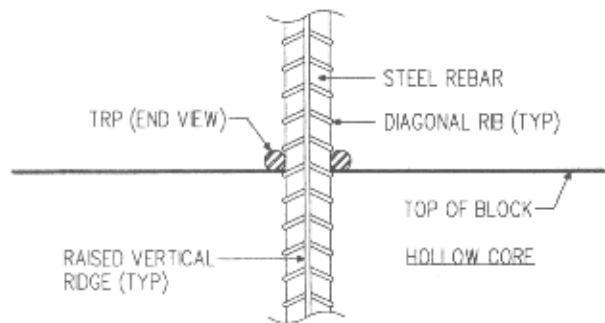


FIGURE #2B
(REBAR ENGAGED - LOCKED)

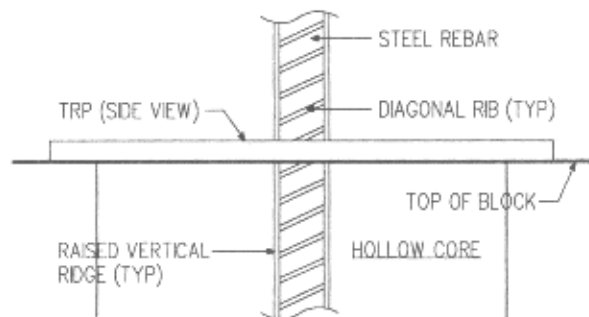


FIGURE #2C
(REBAR ENGAGED - LOCKED)

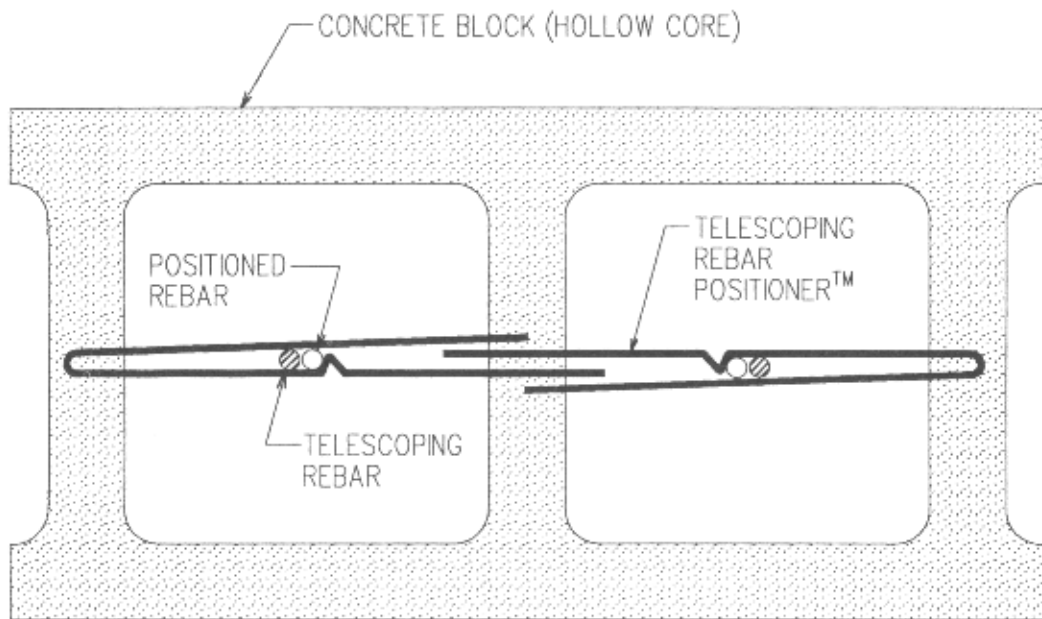


FIGURE #3
TOP (PLAN) VIEW

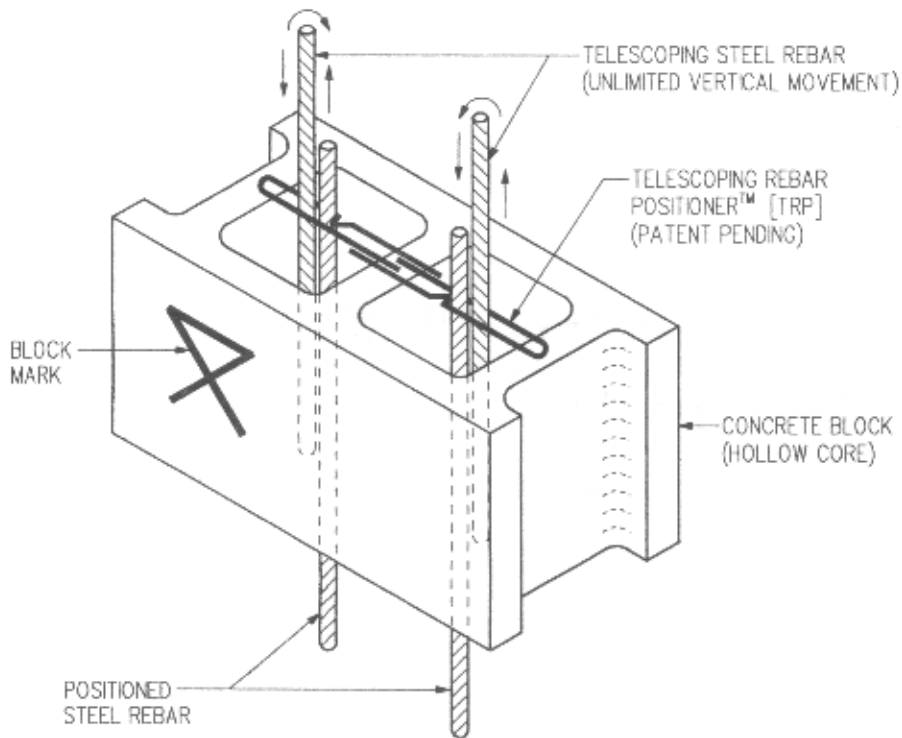


FIGURE #4
ISOMETRIC DIAGRAM

© STEEL-WICH, INC. 1998

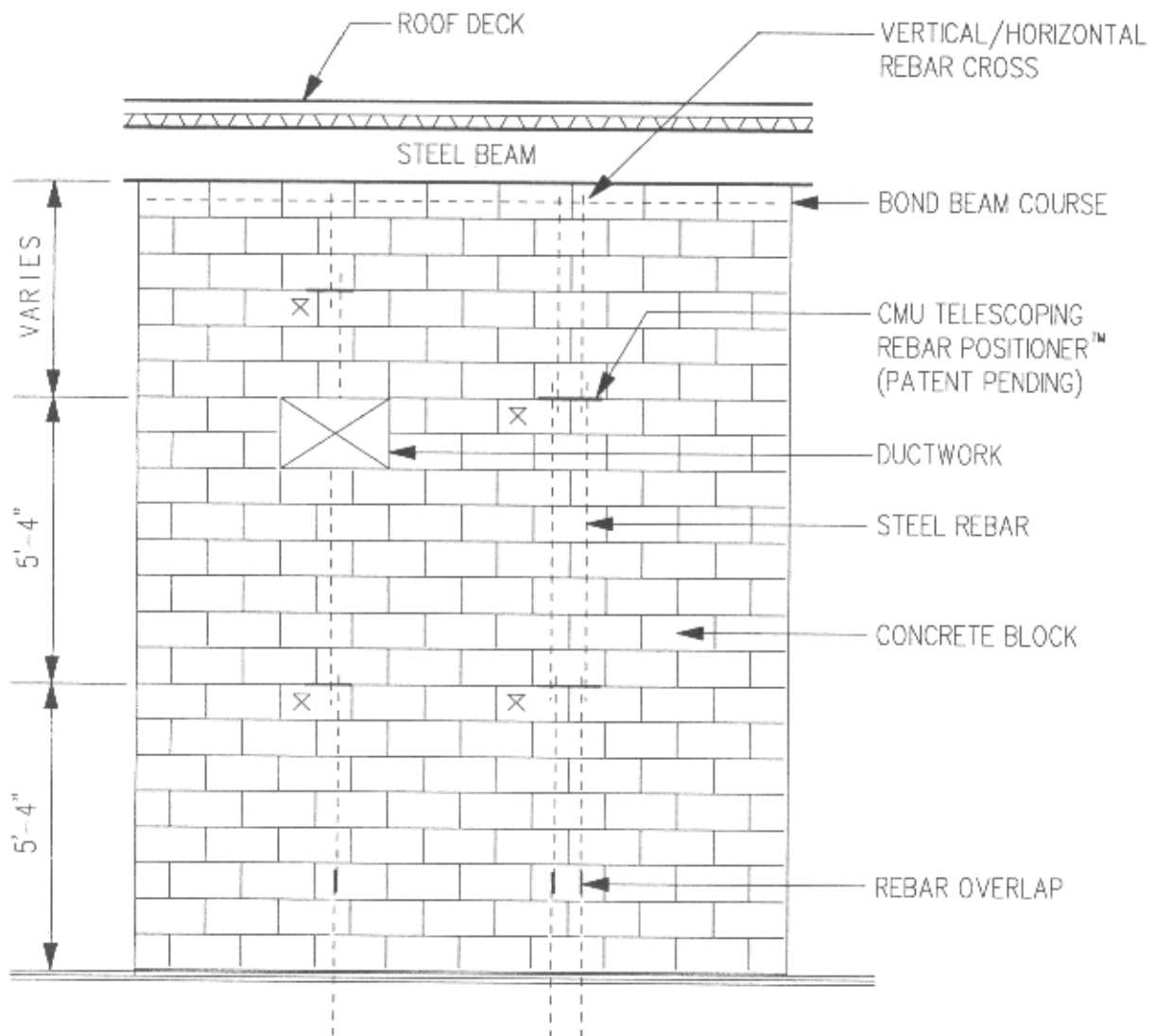


FIGURE #5
TYPICAL WALL APPLICATION

Heckmann Building Products Inc.
 4015 W. Carroll Avenue
 Chicago, IL 60624
 800-621-4140
 Fax: 773-826-4919
www.heckmannbuildingprods.com
 Email: Heckmann@worldnet.att.net