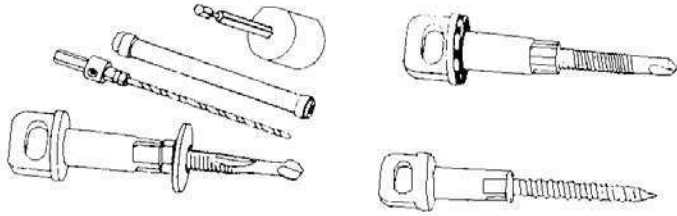




**INSTRUCTION SHEET
READ INSTRUCTIONS
BEFORE PROCEEDING!**



Heckmann Building Products Inc.

1501 N. 31st Avenue

Melrose Park, IL 60160-2911

800-621-4140

E-Mail: Heckmann@worldnet.att.net

www.heckmannbuildingprods.com

WIRE TIES:

Available as Single Wire Type, Triangular Type, or Double J. Standard Lengths are 3", 3 1/2", 4", and 5". Special lengths are available in 1/2" increments. All wire ties are 3/16" diameter. Mill Galvanized manufactured to ASTM A-82 specifications, Hotdip to ASTM A153 Class B-2, and Type 304 Stainless Steel ASTM 240.



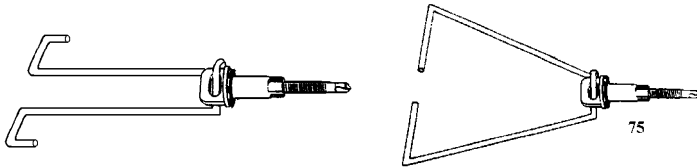
U.S. Patent # 4473984

4764069

Canada Patent # 1224344

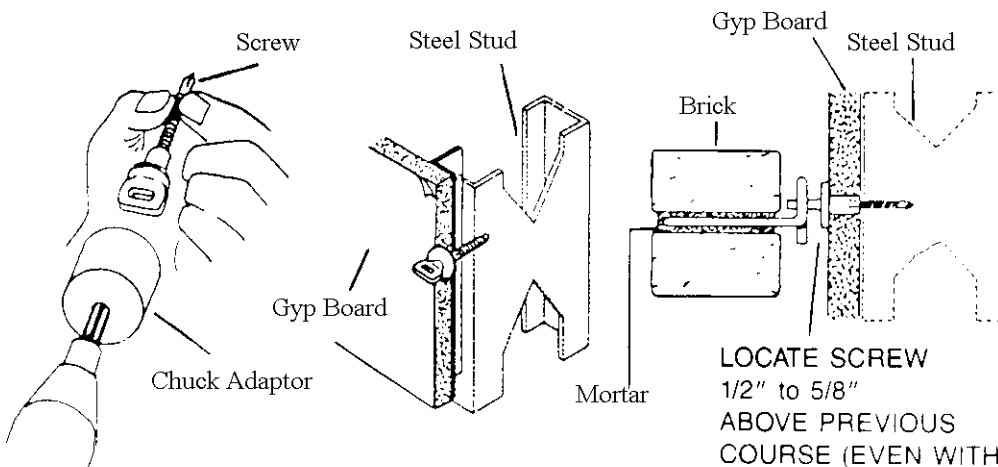
CAUTION

CUTTING TOOLS MAY BREAK OR SHATTER IF NOT PROPERLY USED. THE WEARING OF SAFETY GLASSES BY USERS AND PERSONS IN THE VICINITY IS REQUIRED BY FEDERAL LAW.

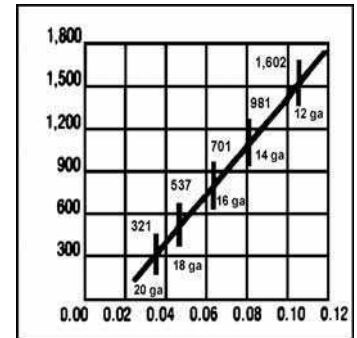


**1. POS-I-TIE SD - Self Drilling Stud Screw
(For Steel Studs)**

Use drill with depth sensitive nose-piece or variable clutch adjustment.



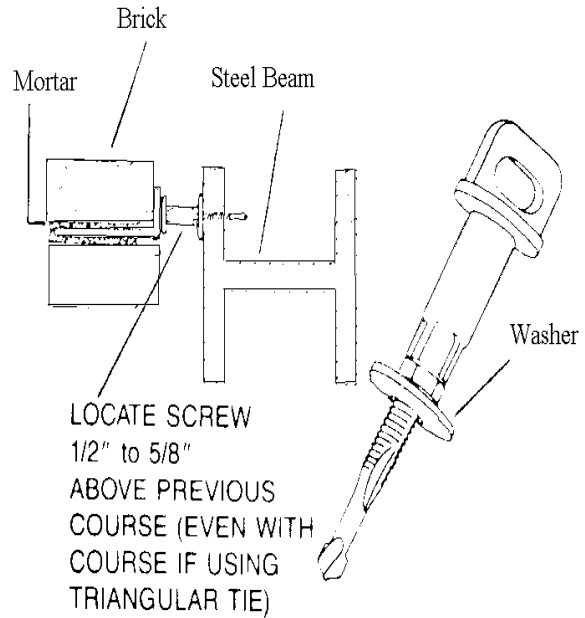
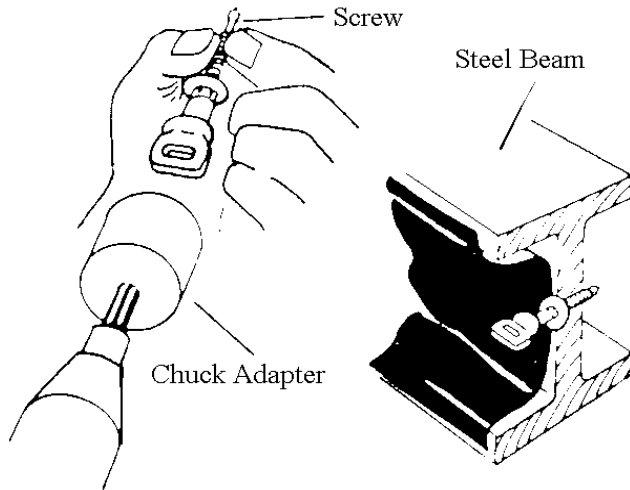
LOCATE SCREW
1/2" to 5/8"
ABOVE PREVIOUS
COURSE (EVEN WITH
COURSE IF USING
TRIANGULAR TIE)



- 1. Insert Screw into POS-I-TIE chuck adapter.**
- 2. Drill Screw through Gypsum board and into metal stud.**

CAUTION: DO NOT OVER TORQUE SCREW. TOO MUCH ROTATION AND THRUST MAY STRIP THE STUD.

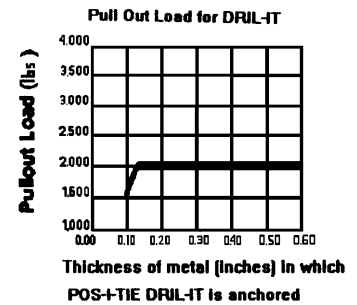
**2. POS-I-TIE DI - Dril-It Screw
(For Structural Steel)**



1. Insert screw into POS-I-TIE chuck adapter.

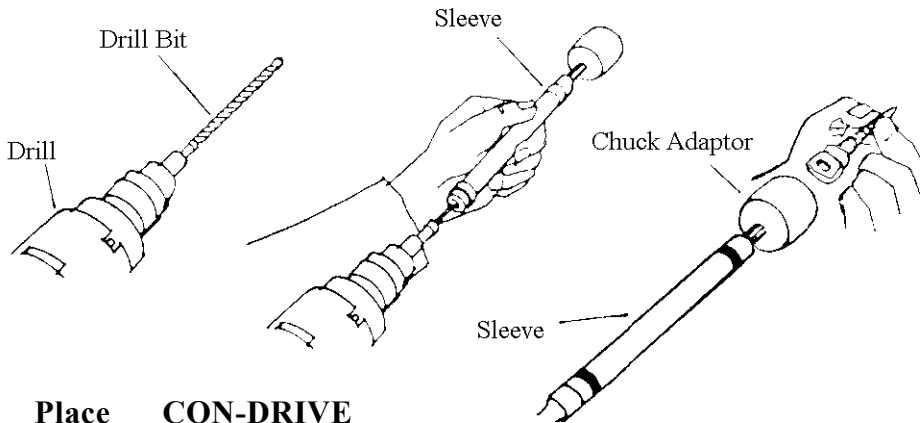
2. Center punch prior to drilling. Drill screw through STEEL BEAM. High tensile steel or very thick steel may require pre-drilling a 3/16" pilot hole.

3. The Dril-It can be ordered with or without a neoprene washer for protection against water penetration and corrosion.



CAUTION: DO NOT OVER TORQUE SCREW. TOO MUCH ROTATION AND THRUST MAY STRIP THE SCREW OR BEAM.

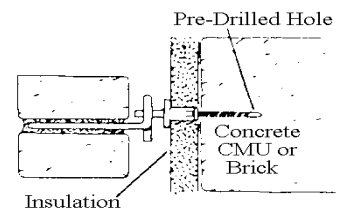
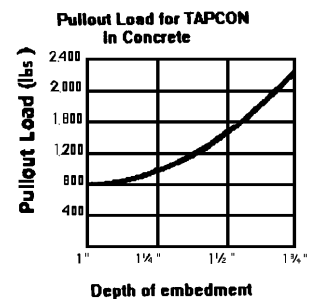
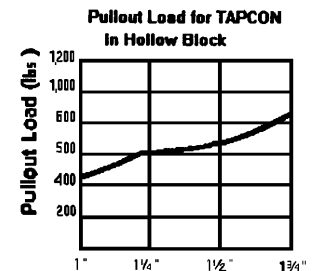
**3. POS-I-TIE Tapcon Screw
(For Concrete, CMU, Wood, or Brick)**



1. Place CON-DRIVE adapter with drill bit into hammer drill. Pre-drill a 3/16" hole to a depth of 2" located 1/2" to 5/8" above previous course. Drill should be in Hammer Mode.

2. Slide end of CON-DRIVE sleeve over drill bit, with snap on POS-I-TIE chuck adapter. Take drill out of Hammer mode.

3. Insert TAPCON screw into POS-I-TIE chuck adapter. Torque POS-I-TIE TAPCON into predrilled hole.



Extremely Hard Aggregate Is Used In Concrete In Some Area Of The U.S. Test Before Using With Concrete Over 5000 PSI.

Dril-It is a registered trademark of Elco Industries Inc. Tapcon and Con-Drive are registered trademarks of Illinois Tool Works Inc. Pos-I-Tie is a registered trademark of DL Enterprises.