

Henry[®] Blueskin[®] VP100

Self-Adhered Water Resistive Air Barrier

Submittal Packet



Table of Contents

Henry® Blueskin® VP100 Self-Adhered Water Resistive Air Barrier

Technical Data Sheet

Membrane

Henry® Blueskin® VP100	3
------------------------------	---

Primer Options

Henry® Blueskin® Spray Prep	5
-----------------------------------	---

Henry® Aquatac™ Spray Prep	8
----------------------------------	---

Flashing Options

Henry® Blueskin® Butyl Flash	10
------------------------------------	----

Henry® Fortiflash® Butyl Flashing	12
---	----

Henry® Air-Bloc® LF Liquid-Applied Flashing	14
---	----

FortiFlex® Butyl	17
------------------------	----

Moistop E-Z Seal®	19
-------------------------	----

FortiFlash®	21
-------------------	----

Rainscreen Option

WeatherSmart® Rainscreen	23
--------------------------------	----

Sealant Options

Moistop® Sealant	25
------------------------	----

Henry® 212 All Purpose Crystal Clear Sealant	27
--	----

Safety Data Sheet

Henry® Blueskin® VP100	29
------------------------------	----

Health and Product Declaration

Henry® Blueskin® VP100	36
------------------------------	----

Declare Label	40
---------------------	----

Architectural Details

Henry® Blueskin® VP100 - All Details	41
--	----

Sample Warranty

Henry® 1-2-3 Moisture Control System™ Warranty	100
--	-----

Standard Product Warranty	101
---------------------------------	-----

Product Certification

ICC-ES Evaluation Report	102
--------------------------------	-----

LEED Declarations

Henry® Blueskin® VP100 LEED Information	105
---	-----

Henry® Blueskin® Weather Barrier LEED Information	106
---	-----

Physical property	Typical value	Test method
Color	Blue	-
Thickness, nominal	19 mils (0.48 mm)	-
Application temperature, min	+20 °F (-7 °C)	-
Service temperature	-40 °F to +180 °F (-40 °C to +82 °C)	-
Water vapor permeance (Blueskin® VP100)	33 perms	ASTM E96, Method A
Average breaking force, dry	55 lbf / 245 N MD 48 lbf / 214 N CD	ASTM D5034
Accelerated aging	Pass	ICC-ES AC48 (25 cycles)
Cycling and elongation	Pass	ICC-ES AC48 (100 cycles at -20 °F (-29 °C))
Flame spread index	5, Class A	ASTM E84
Smoke developed	125, Class A	ASTM E84
Air permeance @ 75Pa	0.004 cfm/ft ² (0.02 L/s.m. ²)	ASTM E2178, CAN/ULC-S741-08
Acceptance criteria for water resistive barriers	Pass	ICC-ES AC38
Low temperature flexibility	Pass	ICC-ES AC38/3.3.4
Peel-adhesion to unprimed plywood		
Baseline	62 lbf/ft / 905N/m	ICC-ES AC48
After 7 day water immersion	54 lbf/ft / 786N/m	
After accelerated aging	72 lbf/ft / 1049N/m	
After UV exposure	77 lbf/ft / 1125N/m	
Nail sealability	Pass	AAMA 711, ASTM D1970 modified
Drainability	>95%	ASTM E2273

Approvals and Certifications

- ICC ESR-2975
- ICC AC38
- CGSB 51.32
- AAMA 711-05
- ASTM E331

Description

Blueskin® VP100 is a premium, self-adhered vapor permeable, water-resistive barrier, designed for wood-framed residential and multi-family construction. It protects buildings by eliminating air gaps, water and moisture intrusion, and self-seals around nails and fasteners. **Blueskin® VP100** combines an engineered film and a patented, permeable adhesive technology, with split-back poly release film.

Features and benefits

- Self-seals around nails and fasteners for lasting water tightness
- Achieves more than 95% drainage efficiency in accordance with ASTM E2273
- Eliminates uncontrolled air leakage to reduce energy costs
- Improves air quality by helping to reduce mold proliferation
- Easy installation with peel-and-stick system

Usage

Designed for wood-framed residential and multi-family applications, **Blueskin® VP100** creates a water resistive air barrier when applied outside of the wall sheathing and behind the exterior wall cladding.

Application,

Surface Prep: All surfaces to receive **Blueskin® VP100** must be dry and clean of oil, dust, frost, bulk water and other contaminants that would limit adhesion of membrane. Acceptable substrates are exterior-grade gypsum sheathing, plywood, OSB, precast or cast-in-place concrete, concrete block, steel, aluminum and galvanized metal. Strike masonry joints full and flush. Concrete surfaces must

Blueskin® VP160 Self-Adhered Water Resistive Air Barrier

be smooth and without large voids, spalled areas or sharp protrusions. Concrete must be cured a minimum of 14 days. Curing compounds and release agents used in concrete construction must be resin based without oil or wax.

If appropriate adhesion is not obtained due to conditions beyond the control of the installer, the application of adhesive-primer will be required. Approved adhesive-primers include **Aquatac™ Primer**. In addition, **Blueskin® Spray Prep Primer** can be used with light coats that are allowed to dry fully prior to covering. Availability may vary by region. Coated surfaces not covered by air barrier during the working day must be recoated.

Apply: Blueskin® VP100 must be installed in a consecutive weatherboard method starting at bottom or base of wall and working up providing minimum of 2" (50mm) side overlaps and 3" (75mm) end overlaps. Position **Blueskin® VP100** for alignment with release paper in place; roll back, peel away split-back film and apply pressure to assure adhesion. **Surface must be rolled after application** with a countertop or J-roller with adequate pressure to ensure adhesion to substrate and laps and to remove fish-mouths and wrinkles. Seal membrane terminations, around penetrations, duct work, electrical and other apparatus extending through the **Blueskin® VP100** with **212 All Purpose Crystal Clear Sealant**. Additionally, seal around the perimeter edge of membrane, and terminations at window and door frames with **Moistop Sealant**. Apply **212 All Purpose Crystal Clear Sealant** or **Moistop Sealant** in a 1/4" (6mm) bead and tool to thickness of approximately 40 mils (1mm) prior to sealant skinning over. Supplemental sealant at fastening components may be needed, where continuous compression cannot be achieved. Please refer to "Fastener Penetrations through Air Barrier Membranes" Tech Talk for additional information on sealing heads of mechanical fasteners and masonry tie fasteners Note: excessive or heavy application of **212 All Purpose Crystal Clear Sealant** may cause superficial wrinkling of **Blueskin® VP100** in some situations.

Flash fenestrations per window and door manufacturers' recommendations, local building code requirements, ASTM E2112, and AAMA guidelines. Use pre-cut rolls of **FortiFlash**, **FortiFlash Butyl FortiFlex Butyl**, or **Blueskin® Butyl Flash** for sill pan flashings per Henry® published window flashing guidelines. **Air-Bloc® LF** liquid-applied flashing can also be used around the entire rough opening.

Refer to **Blueskin® VP100** Installation Guidelines for detailed application information.

Limitations: Blueskin® VP100 is designed for exposure of up to 150 days, but is not designed for permanent exposure to ultra-violet light and should be covered as soon as practical after application. Excessive moisture in substrate or laps can inhibit adhesion or result in loss of adhesion prior to installation of cladding. Do not expose the backside of the substrate to moisture or rain. Protect exposed back-up walls against wet weather conditions during and after application of membrane, including wall openings and construction activity above completed air barrier installation.

For installations less than 40 °F (4 °C), an approved Henry® primer is required for all substrates. For further details, refer to Henry® Tech-Talk Bulletin "**Blueskin® VP100** Cold Weather Application."

Product size/packaging

4" x 100' (10 cm x 30.5 m)
6" x 100' (15.2 cm x 30.5 m)
9" x 100' (22.8 cm x 30.5 m)
12" x 100' (30.5 cm x 30.5 m)
48" x 100' (122 cm x 30.5 m)

Storage

Store rolls on end, on original pallets or elevated platform. Protect from weather or store in an enclosed area not subject to heat over 120 °F (49 °C). In cold weather, it is recommended to warm rolls to 50 °F (10 °C) or above prior to application to assure adhesion to substrate.

For more information, visit www.henry.com or for technical assistance call us at 800-486-1278. For more information on the Henry® product warranty and liability disclaimer please visit www.henry.com/warranty. Refer to the Safety Data Sheet prior to using this product. The Safety Data Sheet is available at www.henry.com or by emailing Henry® Product Support at productsupport@henry.com or by calling 800-486-1278.

Henry, Blueskin, and Air-Bloc are registered trademarks of Henry Company.
Covered by US patent 6,901,712; Canadian patent 2,413,550.

The technical and application information herein is based on the present state of our best scientific and practical knowledge. As the information herein is of a general nature, no assumption can be made as to a product's suitability for a particular use or application and no warranty as to its accuracy, reliability or completeness either expressed or implied is given other than those required by law. The user is responsible for checking the suitability of products for their intended use. Henry® Company data sheets are updated on a regular basis; it is the user's responsibility to obtain and to confirm the most recent version. Information contained in this data sheet may change without notice.

Physical Properties

Application Temperature 10°F to 104°F	Drying Time (Set through) 20 minutes	Service Temperature, cured bead -40°F to 158° F
Color Clear amber	Flammability Wet-Flammable, Dry-Burns	Solids By Weight 35%
Drying Time (Initial set) 3 minutes		

Description

HE572 - BLUESKIN SPRAY PREP - AEROSOL is a spray adhesive used to prepare construction surfaces for the application of **Blueskin® Self-Adhesive Membrane**.

Features:

- Quick setting
- Aggressive tack provides adhesion of membrane
- Suitable for application at normal and low temperatures
- Easily applied

Usage

HE572 - BLUESKIN SPRAY PREP - AEROSOL is used as a spray adhesive for self-adhesive membranes such as **Blueskin® SA, WP200** or **RF200** when applied to masonry, concrete, wood, exterior grade gypsum board, **DensGlass®** and metal surfaces.

Blueskin® Spray Prep is ideal where a very fast drying adhesive is required. Convenient spray can application eliminates the need for brushes or rollers. Three minute tack time.

Designed for applications above -10°F.

Limitations: Solvent in product attacks polystyrene insulation. Avoid use where solvent odors may taint food or other susceptible products.

Coverage

30 to 50 sq. ft./can depending on porosity and texture of surface.

Surface Preparation

Surfaces must be dry and free from dust, dirt, grease, oil or other foreign matter.

Application

Shake can vigorously until ball rattles freely. Apply a uniform film to a clean, dry surface. Allow adhesive to tack up for 3 minutes before applying **Henry Blueskin® Self-Adhesive Membrane**. Apply a firm pressure to the membrane to ensure firm contact with the substrate. After spraying, turn can upside down, point nozzle into refuse can or at paper and push spray head for about 2 seconds to clear valve. For clean-up or if valve clogs, remove from can and clean in paint thinner or mineral spirits.

Precautions

DO NOT THIN.

Cleanup

Clean up with mineral spirits.

Caution

DANGER. EXTREMELY FLAMMABLE AEROSOL. Causes skin irritation. Causes serious eye irritation. May cause respiratory irritation. May cause drowsiness or dizziness.

Prevention: Keep away from heat, sparks, open flames, and hot surfaces. No smoking. Keep containers tightly closed. Use explosion-proof electrical/ventilating/lighting equipment. Use only non-sparking tools. Take precautionary measures against static discharge. Wash thoroughly after handling. Contaminated clothing should not be allowed out of the work place. Avoid breathing vapors, mists, and sprays. Use only outdoors or in a well-ventilated area. Wear protective gloves and eye protection.

Response: In case of fire, use alcohol foam, carbon dioxide (CO₂), or dry chemical to extinguish. **IF ON SKIN:** Take off immediately all contaminated clothing. Wash with plenty of soap and water. If skin irritation occurs; Get medical advice or attention. Take off contaminated clothing and wash it before reuse. **IF IN EYES:** Rinse cautiously with water for several minutes. Remove contact lenses, if present and easy to do. Continue rinsing. If eye irritation persists: Get medical advice or attention. **IF INHALED:** Remove person to fresh air and keep comfortable for breathing. Call a **POISON CENTER** or doctor if you feel unwell.

Storage: Store locked up. Store in a well-ventilated place. Keep cool.

Disposal: Dispose of contents/containers in accordance with local/regional/national/international regulations.

See safety data sheet for further details regarding the safe use of this product.

KEEP OUT OF REACH OF CHILDREN.

FOR EXTERIOR USE ONLY. FOR INDUSTRIAL USE ONLY.

WARNING: This product contains detectable amounts of chemicals known to the State of California to cause cancer, and/or birth defects or other reproductive harm.

Product Sizes

15OZ AEROSOL CAN (1.42 lb)

Limited Warranty

We, the manufacturer, warrant only that this product is free of defects, since many factors which affect the results obtained from this product - such as weather, workmanship, equipment utilized and prior condition of the substrate - are all beyond our control. We will replace at no charge any product proved to be defective within 12 months of purchase, provided it has been applied in accordance with our written directions for uses we recommended as suitable for this product. Proof of purchase must be provided. **DISCLAIMER OF WARRANTIES AND LIMITATION OF LIABILITY: THIS LIMITED WARRANTY IS IN LIEU OF ANY OTHER WARRANTIES EXPRESS OR IMPLIED INCLUDING BUT NOT LIMITED TO ANY IMPLIED WARRANTY OF MERCHANTABILITY OR FOR A PARTICULAR PURPOSE. MANUFACTURER SHALL HAVE NO LIABILITY OF ANY KIND BEYOND PRODUCT REPLACEMENT, INCLUDING FOR CONSEQUENTIAL OR INCIDENTAL DAMAGES RESULTING FROM ANY DEFECTS OR ANY DELAYS CAUSED BY REPLACEMENT OR OTHERWISE. THIS LIMITED WARRANTY PROVIDES THE PURCHASER'S EXCLUSIVE REMEDY FOR ANY DEFECT IN THE PRODUCT.**

Physical property	Typical value
Color	Aqua
Solids by Volume	53% (approx.)
Weight	8.3 lbs/gal (approx.)
Application Temperature	25 °F to 104 °F (-4 °C to 40 °C)
Coverage	Up to 500 ft ² /gal depending on porosity and texture of surface
Maximum VOC	50 g/l
Drying Time	@ 50% R.H. 68 °F Dry Substrate
- Initial Set	30 minutes
- Set Through	2 hours
Service Temperature	- 40 °F to 150 °F (- 40 °C to 66 °C)
Flammability	
- Wet	Non-Flammable
- Dry	Burns

Description

Henry® Aquatac™ Primer is a polymer emulsion based primer for self-adhered Waterproofing and Air Barrier membranes.

Features and benefits

- Quick drying
- Highly tacky film provides positive adhesion to membrane
- Non-flammable during application
- Easily applied by spray, brush or roller
- Water based, no solvent odors
- Specially designed to provide a high level of tack on vertical surfaces

Usage

Used as a primer for self-adhered membranes such as Henry® Blueskin® WP200 when applied to masonry, concrete, wood, drywall and metal.

Application

Surface Prep: All surfaces must be dry and free from dust, dirt, grease, oil or other foreign matter.

Apply: Aquatac™ Primer is applied by roller at a rate up to 500 sq. ft. per gallon depending on the porosity and texture of the surface and allow to dry. Airless, air assist, or air spray equipment may also be used. Not suitable for use with a garden type sprayer. Pour primer from container into sprayer and spray fine mist over the entire substrate. Allow primer to dry thoroughly before applying membrane. Primer surfaces not covered by membrane during the same working day must be reprimed. Aquatac™ Primer is intended to be used as supplied and should not be diluted.

Clean Up: For uncured film use water. Use mineral spirits for cured films.

Precautions

Protect from freezing during shipping, storage and application. Apply under dry conditions above 25 °F (-4 °C). Avoid freezing. Store product above 32 °F (0 °C).

Henry Aquatac Primer

Caution

In case of eye contact, open eyelids wide and flush immediately with plenty of water for at least 15 minutes.

Seek medical attention.

Do not heat container or store at temperatures greater than 120 °F (49 °C).

Close container after each use.

Use protective measures to avoid contact with eyes and skin. If swallowed, seek medical attention immediately.

In case of accidental injection by power spray equipment, seek medical attention immediately.

Dispose of container and unused contents in accordance with local, state, and federal regulations.

Keep out of reach of children.

Protect from freezing.

For exterior use only.

Product size/packaging

5 gallon pail

Storage

Store rolls on end, on original pallets or elevated platform. Protect from weather or store in an enclosed area not subject to heat over 120 °F (49 °C). In cold weather, it is recommended to warm rolls to 50 °F (10 °C) or above prior to application to assure adhesion to substrate.

For more information, visit www.henry.com or for technical assistance call us at 800-486-1278. For more information on Henry's® product warranty and liability disclaimer please visit www.henry.com/warranty. Refer to the Safety Data Sheet prior to using this product. The Safety Data Sheet is available at www.henry.com or by emailing Henry® Product Support at productsupport@henry.com or by calling 800-486-1278.

Henry and Blueskin are registered trademarks of Henry Company.
Covered by US patent 6,901,712; Canadian patent 2,413,550.

The technical and application information herein is based on the present state of our best scientific and practical knowledge. As the information herein is of a general nature, no assumption can be made as to a product's suitability for a particular use or application and no warranty as to its accuracy, reliability or completeness either expressed or implied is given other than those required by law. The user is responsible for checking the suitability of products for their intended use. Henry® Company data sheets are updated on a regular basis; it is the user's responsibility to obtain and to confirm the most recent version. Information contained in this data sheet may change without notice.



TECHNICAL DATA SHEET
Blueskin® Butyl Flash
Self-Adhered Flashing

Physical Property	Typical Value	Test Method
Color	White	-
Thickness, nominal	19 mils (0.48 mm)	-
Application Temperature, min	+25° F (-4° C)	-
Service Temperature	-40° F to +180° F (-40° C to +82° C)	-
Elongation, min	825%	ASTM D882
Tensile Strength, min	2500 psi (17237 kPa)	ASTM D882
Low Temperature Flexibility @ -7° C (20° F)	Pass	ASTM D1970
Nail Sealability	Pass	ASTM D1970

Description

Blueskin® Butyl Flash is a self-adhered flashing consisting of a synthetic butyl compound which is integrally laminated to a white engineered polypropylene film surface. It is specifically designed to be self-adhered to a prepared substrate.

Features

- Impermeable to air, moisture vapor and water
- Easy self-adhered application
- Self-sealing when punctured
- Excellent cold weather adhesion
- Highly flexible making installation easy

Usage

Blueskin® Butyl Flash is designed for use as a concealed self-adhered flashing against water, air and moisture infiltration. **Blueskin® Butyl Flash** is commonly used to provide a weather tight seal around fenestrations, joints in sheathing, and as a general flashing in residential and commercial construction.

Application

Surface Prep: Substrates should be dry and clean of oil, dust, excess mortar and sharp protrusions. Concrete surfaces must be cured a minimum of 14 days. Acceptable substrates are precast concrete, cast-in-place concrete, concrete block, primed steel, aluminum mill finish, anodized aluminum, galvanized metal, gypsum board and wood. For best adhesion onto Oriented Strand Board (OSB), install the panel with the smooth side out. Strike masonry joints flush. Concrete surfaces must be smooth and without large voids, spalled areas or sharp protrusions. Where curing compounds are used, they must be clear resin-based without oil, wax or pigments.

For best possible adhesion results or when applying to concrete or masonry, apply **Blueskin® Spray Prep** or **Aquatac™** primer and allow to thoroughly dry before **Blueskin® Butyl Flash** is applied. Coated surfaces not covered by flashing during the working day must be recoated.

Apply: Position **Blueskin® Butyl Flash** for alignment with release paper in place; roll back, peel away release paper and press firmly over substrate. Apply pressure along entire surface once in place to ensure a strong bond. The best method to ensure full contact is to roll entire surface with a countertop roller. Orient laps in shingle fashion to shed water with a minimum of 50 mm (2") on both side and end laps. When using membrane with brick ties, position flashing, press in place and cut for ties or projections.

Limitations: **Blueskin® Butyl Flash** is designed for exposure of up to 150 days, but is not designed for permanent exposure to ultra-violet light and should be covered as soon as practical after application. It is compatible with rigid PVC/vinyl membranes as well as many sealants. For best results, use **Henry® 925 BES Sealant** for general use or **Henry® 212 Crystal Clear Sealant** as a termination sealant. Solvent based sealants should never be covered until fully cured.

Blueskin® Butyl Flash is not compatible with EPDM, flexible PVC, or similarly plasticized vinyl membranes.

Blueskin® Butyl Flash Self-Adhered Flashing

Packaging

4" x 75' (10 cm x 23 m)
6" x 75' (15.2 cm x 23 m)
9" x 75' (22.8 cm x 23 m)
12" x 75' (30.5 cm x 23 m)

Storage

Store rolls on end, in original packaging. Protect from weather or store in an enclosed area not subject to heat over 120° F (49° C).

For more information, visit www.henry.com or for technical assistance call us at 800-486-1278. For more information on Henry's® product warranty and liability disclaimer please visit www.henry.com/warranty. Refer to the Safety Data Sheet prior to using this product. The Safety Data Sheet is available at www.henry.com or by emailing Henry® Product Support at productsupport@henry.com or by calling 800-486-1278.

Henry and Blueskin are registered trademarks of Henry Company

The technical and application information herein is based on the present state of our best scientific and practical knowledge. As the information herein is of a general nature, no assumption can be made as to a product's suitability for a particular use or application and no warranty as to its accuracy, reliability or completeness either expressed or implied is given other than those required by law. The user is responsible for checking the suitability of products for their intended use. Henry® Company data sheets are updated on a regular basis; it is the user's responsibility to obtain and to confirm the most recent version. Information contained in this data sheet may change without notice.

Henry® Company, 999 N. Pacific Coast Hwy., Ste. 800 El Segundo, CA 90245
Tel: 800-486-1278 **Email:** techservices@henry.com
www.henry.com

Revision Date: 10/31/2018



A step 2 component of the Henry® 1-2-3 Moisture Control System™



Henry® FortiFlash® Butyl Flashing Membrane

Maximum protection against water intrusion

Henry® FortiFlash® Butyl Waterproof Flashing Membrane delivers exceptional protection against water intrusion in even the most demanding environments. Advanced butyl adhesive provides a tight bond and can withstand extreme temperatures (250 °F).

Wider sizes feature a split-back release liner for easy installation, **FortiFlash Butyl Waterproof Flashing Membrane** provides a strong, self-sealing barrier that protects windows, doors and through-wall penetrations, as well as non-roofing horizontal applications such as pot shelves, parapets, sill pans and recessed windows.

FortiFlash Butyl Waterproof Flashing Membrane is designed to withstand the rigors of the jobsite and the elements. When used as part of the Henry® 1-2-3 Moisture Control System™ it is backed by an industry-leading 15-year material PLUS labor warranty for product defects.

Features and benefits

-  Self-seals around nails and fasteners for lasting watertightness
-  Can be installed at temperatures as low as 25 °F (-4 °C), keeping projects on schedule even during winter months
-  Split-back release for easier handling of wide sizes
-  Compatible with Moistop® Sealant
-  Advanced adhesive allows flashing to remain in place without mechanical fasteners
-  AAMA 711 compliant

Performance standards you can trust

Henry FortiFlash Butyl Waterproof Flashing Membrane is tested in accordance with ASTM procedures. It is a high-performing self-adhesive waterproof membrane, designed for use as a concealed flashing in frame construction where a waterproof membrane is required.

Physical/performance property	Typical value		Test method
	20 MIL	30 MIL	
Tensile strength	MD - 70 lb./in CD - 70 lb./in	MD - 92 lb./in CD - 85 lb./in	AAMA 711 Sec 5.1
Nail sealability	Pass		AAMA 711 Sec 5.2
90° Peel adhesion			
Plywood	5.9 lb./in		AAMA 711 Sec 5.3
OSB	2.0 lb./in		
Facer	6.0 lb./in		
Service temperature	-40 °F to 250 °F		-
Application temperature	25 °F to 125 °F		-
Water resistance	>200 hours		ASTM D779

*FortiFlash Butyl is tested in accordance with ASTM procedures. The values shown are typical values obtained in these tests.

Product characteristics

Composition	Polypropylene facer film, all-butyl adhesive (contains no asphalt) and a paper release liner. The 9" and 12" sizes have a split release feature providing the capability to remove each portion of the release sheet separately.	
	20 MIL	30 MIL
Roll size	4" x 75' 6" x 75' 9" x 75' 12" x 75' 18" x 75'	9" x 75' 12" x 75' 18" x 75'
Weight (lbs. per roll)	3.75 (4") 5.6 (6") 8.5 (9") 11.5 (12")	12.75 (9") 17.25 (12") 25 (18")

Product approvals, certifications and specifications

ASTM D779 - Standard Test Method for Water Resistance of Paper, Paperboard and Other Sheet Materials by the Dry Indicator Method
ASTM D1970 - Standard Specification for Self-Adhering Polymer Modified Bituminous Sheet Materials Used as Steep Roofing Underlayment for Ice Dam Protection
ASTM E2112 - Standard Practice for Installation of Exterior Windows, Doors and Skylights
AAMA 711 - Voluntary Specification for Self Adhering Flashing Used for Installation of Exterior Wall Fenestration Products
Complies as flexible flashing specified in Chapter 14 of the International Building Code and Chapter 7 of the International Residential Code



Featuring a range of compatible weather barriers, flashings and sealants, the Henry® 1-2-3 Moisture Control System makes it easier than ever to build with confidence.

Henry, and FortiFlash are registered trademarks of the Henry Company

Limitations: For optimum performance, FortiFlash Butyl should be applied at temperatures between 25 °F and 125 °F. Product should be covered within 90 days of application. Inspect the product to ensure it is free of any damage that may compromise its moisture-resistive properties. Where installed horizontally or with a slope of less than 60° do not use fasteners.

Installation: Prior to installation, surfaces should be dry and cleaned free of any dirt or other substances that may interfere with adhesion, as well as any sharp protrusions. Surfaces shall have no voids, damaged, or unsupported areas. Repair surfaces before installing the membrane. Primer must be used over some substrates including gypsum board (including Dens-Glass Gold), concrete and masonry. For all other substrates field test a small sample of FortiFlash Butyl prior to application. If adhesion is inadequate, apply Aquatac™ Primer according to the manufacturer's application instructions. Areas not covered with membrane the same day must be re-primed.

Availability: Henry products are distributed nationwide. For product information and pricing, please call a Henry distributor near you. If you need assistance locating a participating distributor, please contact our Customer Service Department at 1-800-773-4777.

Henry Product Warranty Information: This product may be eligible for the 15 year Henry 1-2-3 Moisture Control System Warranty when used in conjunction with other products. See <https://us.henry.com/warranty> for details.

We, the manufacturer, warrant only that this product is free of defects, since many factors which affect the results obtained from this product – such as weather, workmanship, equipment utilized, and prior condition of the substrate – are all beyond our control. We will replace at no charge any product proved to have a material defect within 12-months of purchase, provided it has been applied in accordance with our written directions for uses we recommend as suitable for this product. Proof of purchase must be provided.

DISCLAIMER OF WARRANTIES AND LIMITATION OF LIABILITY: THIS LIMITED WARRANTY IS IN LIEU OF ANY OTHER WARRANTIES, EXPRESS OR IMPLIED, INCLUDING BUT NOT LIMITED TO ANY IMPLIED WARRANTY OF MERCHANTABILITY OR FITNESS FOR A PARTICULAR PURPOSE. NO ONE, INCLUDING THE MANUFACTURER, SHALL HAVE ANY LIABILITY OF ANY KIND BEYOND PRODUCT REPLACEMENT, INCLUDING FOR NEGLIGENCE OR FOR DIRECT, CONSEQUENTIAL, EXEMPLARY OR INCIDENTAL DAMAGES, RESULTING FROM ANY MISUSE, DEFECTS OR DELAYS CAUSED BY REPLACEMENT OR OTHERWISE. IF PURCHASER DOES NOT ACCEPT THESE TERMS, PURCHASER MAY RETURN WITHIN 30-DAYS OF PURCHASE ALL UNOPENED CONTAINERS OR PACKAGES OF PRODUCT PURCHASED FOR A FULL REFUND. RETENTION OF PRODUCT BEYOND 30-DAYS, OR USE OF PRODUCT SHALL CONSTITUTE ACCEPTANCE OF THESE TERMS, CONDITIONS, AND DISCLAIMERS. THIS LIMITED WARRANTY AND LIABILITY DISCLAIMER PROVIDES THE PURCHASER'S EXCLUSIVE REMEDY FOR ANYTHING RELATING TO THE PRODUCT.

To the extent that any part of this LIMITED PRODUCT WARRANTY AND LIABILITY DISCLAIMER is determined unenforceable under the law of the place of purchase of the product, that part is severed and the remainder of these terms remain in full force and effect. To the extent permitted by law, the duration of any implied warranties is limited to the duration of Henry's express warranty.

This warranty language supersedes any language found elsewhere, including product labels, sell sheets and/or technical documents.

Henry®

Building Envelope Systems®
Wall & Window | Roof | Foundation

Ask us today about other Henry® solutions that help manage the flow of water, air, vapor and energy.

Physical Property	Typical Value	Test Method
Color	Blue	-
Application Temperature	20°F to +110°F (-7°C to +43°C)	-
Service Temperature	-40°F to +200°F (-40°C to +93°C)	-
Drying Time @ 50% R.H. 68°F (20°C)	Skin Time @ 25 mils (0.6 mm): 1-2 hours Cure Time @ 25 mils(0.6 mm): 24 hours	-
Elongation, min	264%	ASTM D412, modified
Tensile Strength, min	132 psi (910 kPa)	ASTM D412, modified
Crack Bridging	Pass	ASTM C1305
VOC Content, max	<25 g/L	-
Hardness, Shore A	30-35	ASTM C661
Corrosive Properties	Non-corrosive	-
Nail Sealability	Pass	AAMA 711
Asphalt Compatibility	Pass	AAMA 713
Low Temperature Flexibility @ -22°F (-30°C)	Pass	CGSB 37-GP-56M, ASTM D552
Water Vapor Permeance	12 mils: 22.9 perms 25 mils: 21.8 perms 40 mils: 10.6 perms	ASTM E96, Method B
Moisture Absorption	0.1%	ASTM D570-81
Water Resistance	Pass	AC212, ASTM D2247
Air Leakage @75 Pa	≤ 0.004 CFM/ft ² (≤ 0.02 L/[sm ²])	ASTM E2178
Adhesion	Peel after UV: >5 lbs/in (875 N/m) Peel after High Temp : >5 lbs/in (875 N/m) Peel after Water Immersion: >5 lbs/in (875 N/m) Peel after Thermal Cycling: >5 lbs/in (875 N/m)	AAMA 711
Flame Spread	20, Class A	ASTM E84
Smoke Developed	5, Class A	ASTM E84
Solids by Volume	95%	-

Description

Air-Bloc[®] LF is a moisture cure single-component elastomeric liquid-applied flashing using a highly advanced Silyl-Terminated Polyether (STPE) polymer. It is designed to cure through reaction with airborne moisture to provide a heavy-duty seamless rubber-like impervious membrane with excellent weathering and water resistance.

Features

- Fast curing, high solids and single component
- Low VOC, low odor
- Excellent compatibility with all Henry[®] air barriers and components, including rubberized asphalt
- Easy to install, no special equipment required

Usage

Air-Bloc[®] LF is designed for use as a concealed air barrier flashing to protect against air, water and moisture penetration around windows and doors for commercial and residential construction.

Application

Surface Prep: Substrates should be dry and clean of oil, dust, excess mortar and sharp protrusions, standing water and frost. Concrete surfaces must be cured a minimum of 14 days. Damp concrete is acceptable but must not be wet. Acceptable substrates are precast concrete, cast-in-place concrete, concrete block, primed steel, aluminum mill finish, anodized aluminum, galvanized metal, exterior-grade gypsum board, OSB and plywood. Strike masonry joints flush. Concrete surfaces must be smooth and without large voids, spalled areas or sharp protrusions. Where curing compounds are used, they must be clear resin based, without oil, wax

Air-Bloc® LF Liquid-Applied Flashing

or pigments.

Fill open joints, seams and cracks wider than 1/8" (3 mm) up to 1/2" (13 mm) with **925 BES Sealant** or **Air-Bloc® LF** prior to final application of **Air-Bloc® LF**.

Apply: Apply **Air-Bloc® LF** to substrate in a serpentine fashion using appropriate caulking gun and then spread using a trowel, joint knife or roller to achieve a monolithic membrane over the rough opening surfaces. Regularly monitor wet mil thickness during application to assure adequate coverage. **Air-Bloc® LF** can be applied in a single coat.

Spread uncured **Air-Bloc® LF** to cover the inside of the rough opening and extend a minimum of 4" (100 mm) over the surface of the exterior wall. If a continuous air barrier such as **Air-Bloc®** or **Blueskin®** air barriers are used over the exterior wall, overlap **Air-Bloc® LF** a minimum of 2" (50 mm) over adjacent membranes.

Coverage Rates: Apply per published architectural specifications. Typical application rates include:

- **Smooth Surfaces** such as exterior gypsum sheathing or formed concrete: 10 ft² (0.9 m²) per 20 oz (0.6 L) sausage to give a wet film thickness of 25 mils (0.6 mm)
- **Rough Surfaces** such as CMU: 6 ft² (0.6 m²) per 20 oz (0.6 L) sausage to give a wet film thickness of 40 mils (1 mm)

		Coverage (Linear Feet)					
		Wet Film Thickness (mils)					
		15	20	25	30	35	40
Width (inches)	1	201	150	120	100	86	75
	2	100	75	60	50	43	38
	3	67	50	40	33	29	25
	4	50	38	30	25	21	19
	5	40	30	24	20	17	15
	6	33	25	20	17	14	13
	12	17	13	10	8	7	6

Per 20 oz. (0.6L) sausages

		Coverage (Linear Meters)					
		Wet Film Thickness (mils)					
		15	20	25	30	35	40
Width (cm)	2.5	61.1	45.8	36.7	30.6	26.2	22.9
	5	30.6	22.9	18.3	15.3	13.1	11.5
	7.5	20.4	15.3	12.2	10.2	8.7	7.6
	10	15.3	11.5	9.2	7.6	6.5	5.7
	12.7	12.2	9.2	7.3	6.1	5.2	4.6
	15	10.2	7.6	6.1	5.1	4.4	3.8
	100	1.6	1.2	0.9	0.8	0.7	0.6

Per 20 oz. (0.6L) sausages

The above reference chart is based on theoretical coverage calculations for a smooth surface. Rough surfaces can reduce coverage rates significantly depending on texture and porosity of surface.

Limitations: **Air-Bloc® LF** can be exposed for up to 6 months but is not designed for permanent exposure to ultra-violet light and should be covered as soon as practical after application. Application at temperatures below 40°F (4°C) will slow curing. In low humidity conditions, curing may be aided by lightly misting **Air-Bloc® LF** with water.

Many silicone sealants show excellent adhesion to **Air-Bloc® LF**. Contact the sealant manufacturer for more information.

Packaging

20 oz (0.6 L) sausages

Storage

Shelf life of **Air-Bloc® LF** is 12 months in unopened containers when stored in dry conditions. Protect from weather or store in an enclosed area not subject to heat over 80°F (27°C). Packaging should always be kept sealed when not in use.

For more information, visit www.henry.com or for technical assistance call us at 800-486-1278. For more information on Henry's® product warranty and liability disclaimer please visit www.henry.com/warranty. Refer to the Safety Data Sheet prior to using this product. The Safety Data Sheet is available at www.henry.com or by emailing Henry® Product Support at productsupport@henry.com or by calling 800-486-1278.

® Henry and Air-Bloc are registered trademarks of Henry Company

The technical and application information herein is based on the present state of our best scientific and practical knowledge. As the information herein is of a general nature, no assumption can be made as to a product's suitability for a particular use or application and no warranty as to its accuracy, reliability or completeness either expressed or implied is given other than those required by law. The user is responsible for checking the suitability of products for their intended use. Henry® Company data sheets are updated on a regular basis; it is the user's responsibility to obtain and to confirm the most recent version. Information contained in this data sheet may change without notice.



A step 2 component of the Henry® 1-2-3 Moisture Control System™



Henry® FortiFlex® Butyl Waterproof Flashing Membrane



Flashing that's ahead of the curve

Windows and doors are often the most vulnerable spots for moisture penetration, and arched designs present additional challenges. **FortiFlex® Butyl Flexible Flashing Membrane** can handle them. Designed to provide highly-conformable protection against moisture intrusion in curved openings, sill pans and more, **FortiFlex Butyl** features an advanced hybrid butyl compound for high tack even in low temperatures. Its high-performance, lightweight creped film delivers exceptional stretch and durability, plus minimal bunching at tight corners.

As part of the Henry® 1-2-3 moisture control system™, **FortiFlex Butyl** is backed by an industry-leading 15-year material PLUS labor warranty.

Features and benefits



Self-seals around nails and fasteners for lasting watertightness



Can be installed at temperatures as low as 10 °F (-12 °C), keeping projects on schedule even during winter months



Split-back release for easier handling of wide sizes



Advanced adhesive allows flashing to remain in place without mechanical fasteners



Resists UV exposure for up to one year



AAMA 711 compliant

Performance standards you can trust

FortiFlex Butyl Flexible Flashing Membrane is tested in accordance with ASTM International procedures. It is a flexible, conformable, self-adhesive flexible flashing designed to prevent incidental moisture intrusion around windows and doors.

Physical/performance property	Typical value	Test method
Tensile strength	MD - 225psi CD - 330psi	AAMA 711 Sec 5.1
Nail sealability	Pass	AAMA 711
Service temperature	-40 °F to 200 °F	AAMA 711 (Modified)
Application temperature	10 °F to 150 °F	-
Water vapor permeance	<0.1 perms	ASTM E96 (A)
Low temperature flexibility	Pass	ASTM D1970
Water resistance	>24 hours	ASTM D779

*FortiFlex Butyl is tested in accordance with ASTM International procedures. The values shown are typical values obtained in these tests.

Product characteristics

Composition	A hybrid butyl adhesive laminated to high-performance creped film.
Roll size	6" x 50' 9" x 50'
Weight (lbs. per roll)	6 (6") 9 (9")
Thickness	54 mil

Product approvals, certifications and specifications

ASTM D779 - Standard Test Method for Water Resistance of Paper, Paperboard and Other Sheet Materials by the Dry Indicator Method
ASTM D1970 - Standard Specification for Self-Adhering Polymer Modified Bituminous Sheet Materials Used as Steep Roofing Underlayment for Ice Dam Protection: Low Temperature Flexibility
ASTM E2112 - Standard Practice for Installation of Exterior Windows, Doors and Skylights
AAMA 711 - Voluntary Specification for Self Adhering Flashing Used for Installation of Exterior Wall Fenestration Products
Complies as flexible flashing specified in Chapter 14 of the International Building Code and Chapter 7 of the International Residential Code



Featuring a range of compatible weather barriers, flashings and sealants, the Henry® 1-2-3 Moisture Control System™ makes it easier than ever to build with confidence.

Henry, Building Envelope Systems, and FortiFlex are registered trademarks of the Henry Company

Limitations: For optimum performance, FortiFlash Butyl should be applied at temperatures between 10 °F (-12 °C) and 150 °F (66 °C). Maximum service temperature is 200 °F (93 °C). Product should be covered as soon as practical; maximum exposure 12 months. FortiFlex Butyl may not be compatible with some sealants. Test for compatibility before using any sealants. Performance is guaranteed with Moistop® Sealant and Liquid Flashing, which adheres to, and is compatible with FortiFlex Butyl when installed per Henry instructions. FortiFlex Butyl is not compatible with EPDM or flexible (plasticized) Polyvinyl Chloride (PVC) based membranes.

Installation: Position FortiFlex Butyl for alignment with release film in place. Roll back, peel away release film and press membrane firmly over substrate. When membrane is entirely in place, apply pressure along entire membrane to ensure a strong bond. The best method to ensure full contact is to roll entire surface with a J Roller. Orient laps in shingle fashion to shed water with a minimum of 2 in. (50 mm) on both side and end laps. (When using membrane with brick ties, position membrane, press in place and cut for ties or projections.) FortiFlex Butyl can be used without primer on dry and clean substrates when the temperature is above 10 °F (-12 °C). For best possible adhesion results or when applying to concrete or masonry, prime substrate with Aquatac primer.

Availability: Henry products are distributed nationwide. For product information and pricing, please call a Henry distributor near you. If you need assistance locating a participating distributor, please contact our Customer Service Department at 1-800-773-4777.

Henry Product Warranty Information: This product may be eligible for the 15 year Henry 1-2-3 Moisture Control System Warranty when used in conjunction with other products. See <https://us.henry.com/warranty> for details.

We, the manufacturer, warrant only that this product is free of defects, since many factors which affect the results obtained from this product – such as weather, workmanship, equipment utilized, and prior condition of the substrate – are all beyond our control. We will replace at no charge any product proved to have a material defect within 12-months of purchase, provided it has been applied in accordance with our written directions for uses we recommend as suitable for this product. Proof of purchase must be provided.

DISCLAIMER OF WARRANTIES AND LIMITATION OF LIABILITY: THIS LIMITED WARRANTY IS IN LIEU OF ANY OTHER WARRANTIES, EXPRESS OR IMPLIED, INCLUDING BUT NOT LIMITED TO ANY IMPLIED WARRANTY OF MERCHANTABILITY OR FITNESS FOR A PARTICULAR PURPOSE. NO ONE, INCLUDING THE MANUFACTURER, SHALL HAVE ANY LIABILITY OF ANY KIND BEYOND PRODUCT REPLACEMENT, INCLUDING FOR NEGLIGENCE OR FOR DIRECT, CONSEQUENTIAL, EXEMPLARY OR INCIDENTAL DAMAGES, RESULTING FROM ANY MISUSE, DEFECTS OR DELAYS CAUSED BY REPLACEMENT OR OTHERWISE. IF PURCHASER DOES NOT ACCEPT THESE TERMS, PURCHASER MAY RETURN WITHIN 30-DAYS OF PURCHASE ALL UNOPENED CONTAINERS OR PACKAGES OF PRODUCT PURCHASED FOR A FULL REFUND. RETENTION OF PRODUCT BEYOND 30-DAYS, OR USE OF PRODUCT SHALL CONSTITUTE ACCEPTANCE OF THESE TERMS, CONDITIONS, AND DISCLAIMERS. THIS LIMITED WARRANTY AND LIABILITY DISCLAIMER PROVIDES THE PURCHASER'S EXCLUSIVE REMEDY FOR ANYTHING RELATING TO THE PRODUCT.

To the extent that any part of this LIMITED PRODUCT WARRANTY AND LIABILITY DISCLAIMER is determined unenforceable under the law of the place of purchase of the product, that part is severed and the remainder of these terms remain in full force and effect. To the extent permitted by law, the duration of any implied warranties is limited to the duration of Henry's express warranty.

This warranty language supersedes any language found elsewhere, including product labels, sell sheets and/or technical documents.

Henry®

Building Envelope Systems®
Wall & Window | Roof | Foundation

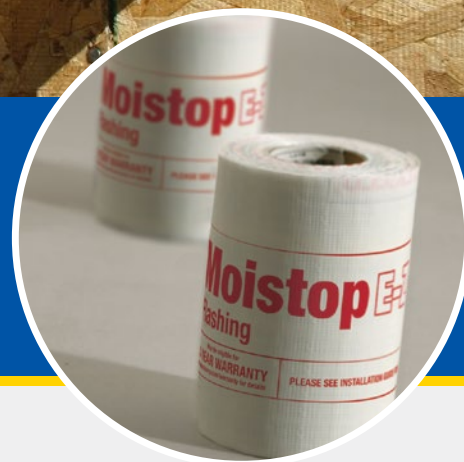
Ask us today about other Henry® solutions that help manage the flow of water, air, vapor and energy.



A step 2 component of the Henry® 1-2-3 Moisture Control System™



Henry® Moistop E-Z Seal® Flashing



Industry-leading moisture protection

An industry benchmark in self-adhesive flashing, **Henry® Moistop E-Z Seal®** helps eliminate moisture intrusion that can lead to related structural failures, mold and mildew.

With its unique construction and reinforced polymer membrane, **Moistop E-Z Seal** rises above the competition. Featuring a 3" adhesive backing strip, the flashing enables trouble-free, secure attachment to structures, while making it exceptionally easy to integrate the non-adhered portion with the weather-resistive barrier.

As part of the Henry® 1-2-3 moisture control system, **Moistop E-Z Seal** is designed to withstand the rigors of the job site and the elements, and is backed by an industry leading 15-year material PLUS labor warranty.

Features and benefits



Ultra-high performance water barrier designed to withstand extreme wind-driven weather conditions



One of the strongest adhesives in the industry, bonding reliably to plywood, OSB and aluminum, as well as wood and vinyl windows.



Complies with ASTM D779, providing water resistance for up to 150 hours

Performance standards you can trust

Moistop E-Z Seal Flashing is tested in accordance with ASTM International procedures. It is a premium, self-adhesive, flashing membrane designed to prevent incidental moisture intrusion around windows and doors.

Physical/performance property	Typical value	Test method
Water vapor permeance	<0.1 perms (<0.3 g/m ² /day)	ASTM E96 (A)
Water resistance	150 hours	ASTM D779
Tensile strength	MD - 30 lb./inch CD - 35 lb./inch	ASTM D882
Adhesion	Steel - 9 lbs./in Backing - 6 lbs./in Plywood - 5 lbs./in	PSTC1
Mold growth	0 Fungal Growth	ASTM G21
Application temperature	40 °F to 120 °F (4.4 °C to 48.9 °C)	
Service temperature	-40 °F to 176 °F (-40 °C to 80 °C)	

*Moistop E-Z Seal is tested in accordance with ASTM International procedures. The values shown are typical values obtained in these tests..

Product characteristics

Composition	Reinforced polymer membrane coated with a 3" self-adhesive strip. The adhesive layer is protected by an easy-to-remove release liner. The 4" product is fully backed with adhesive. Thickness is 25 mils (with adhesive); 10 mils (reinforced membrane only).
Roll size	6", 9" and 12" x 75'
Weight (lbs. per roll)	4 (6", 9") 5 (12")

Product approvals, specifications and certifications

ASTM D779 - Standard Test Method for Water Resistance of Paper, Paperboard, and Other Sheet Materials by the Dry Indicator Method
ASTM D882 - Standard Test Method for Tensile Properties of Thin Plastic Sheeting
ASTM E96 - Water Vapor Transmission of Materials
ASTM G21 - Standard Practice for Determining Resistance of Synthetic Polymeric Materials to Fungi
PSTC1 - Peel Adhesion of Single Coated Tapes, 180 Degree Peel
AAMA 711 - Voluntary Specification for Self Adhering Flashing Used for Installation of Exterior Wall Fenestration Products
Complies as flexible flashing specified in Chapter 14 of the International Building Code and Chapter 7 of the International Residential Code



Featuring a range of compatible weather barriers, flashings and sealants, the Henry® 1-2-3 Moisture Control System by makes it easier than ever to build with confidence.

Henry, Moistop E-Z Seal, and Building Envelope Systems are registered trademarks of the Henry Company

Limitations: For optimum adhesion, Moistop E-Z Seal should be applied at temperatures between 40 °F (4.4 °C) and 120 °F (48.9 °C). Product should not be installed horizontally or at a slope of less than 60°. Product should be covered as soon as possible. Maximum exposure is 60 days. Moistop E-Z Seal is not compatible with some sealants. Test for compatibility prior to use. Moistop E-Z Seal is compatible with Moistop® Sealant.

Installation: Prior to installation, surfaces should be dry and cleaned free of any dirt or other substances that may interfere with adhesion, as well as any sharp protrusions. Surfaces shall have no voids, damaged or unsupported areas. Repair surfaces before installing membrane. To apply, peel away the release film and place E-Z Seal onto substrate. Apply firm pressure with a metal or wood roller along the entire adhesive strip to ensure a continuous seal.

Henry Product Warranty Information: This product may be eligible for the 15-year Henry 1-2-3 Moisture Control System Warranty when used in conjunction with other products. See <https://us.henry.com/warranty> for details.

We, the manufacturer, warrant only that this product is free of defects, since many factors which affect the results obtained from this product – such as weather, workmanship, equipment utilized, and prior condition of the substrate – are all beyond our control. We will replace at no charge any product proved to have a material defect within 12-months of purchase, provided it has been applied in accordance with our written directions for uses we recommend as suitable for this product. Proof of purchase must be provided.

DISCLAIMER OF WARRANTIES AND LIMITATION OF LIABILITY: THIS LIMITED WARRANTY IS IN LIEU OF ANY OTHER WARRANTIES, EXPRESS OR IMPLIED, INCLUDING BUT NOT LIMITED TO ANY IMPLIED WARRANTY OF MERCHANTABILITY OR FITNESS FOR A PARTICULAR PURPOSE. NO ONE, INCLUDING THE MANUFACTURER, SHALL HAVE ANY LIABILITY OF ANY KIND BEYOND PRODUCT REPLACEMENT, INCLUDING FOR NEGLIGENCE OR FOR DIRECT, CONSEQUENTIAL, EXEMPLARY OR INCIDENTAL DAMAGES, RESULTING FROM ANY MISUSE, DEFECTS OR DELAYS CAUSED BY REPLACEMENT OR OTHERWISE. IF PURCHASER DOES NOT ACCEPT THESE TERMS, PURCHASER MAY RETURN WITHIN 30-DAYS OF PURCHASE ALL UNOPENED CONTAINERS OR PACKAGES OF PRODUCT PURCHASED FOR A FULL REFUND. RETENTION OF PRODUCT BEYOND 30-DAYS, OR USE OF PRODUCT SHALL CONSTITUTE ACCEPTANCE OF THESE TERMS, CONDITIONS, AND DISCLAIMERS. THIS LIMITED WARRANTY AND LIABILITY DISCLAIMER PROVIDES THE PURCHASER'S EXCLUSIVE REMEDY FOR ANYTHING RELATING TO THE PRODUCT.

To the extent that any part of this LIMITED PRODUCT WARRANTY AND LIABILITY DISCLAIMER is determined unenforceable under the law of the place of purchase of the product, that part is severed and the remainder of these terms remain in full force and effect. To the extent permitted by law, the duration of any implied warranties is limited to the duration of Henry's express warranty.

This warranty language supersedes any language found elsewhere, including product labels, sell sheets and/or technical documents.

Henry®

Building Envelope Systems®
Wall & Window | Roof | Foundation

Ask us today about other Henry® solutions that help manage the flow of water, air, vapor and energy.



A step 2 component of the Henry® 1-2-3 Moisture Control System™



Henry® FortiFlash® Waterproof Flashing Membrane



Premium protection against water intrusion

Henry® FortiFlash® Waterproof Flashing Membrane is engineered to deliver long-lasting, cost-effective protection against water intrusion in the most demanding environments. Featuring self-adhesive installation, **FortiFlash** is ideal for use around windows and doors, as well as non-roofing horizontal applications such as pot shelves, parapets, sill pans and recessed windows.

FortiFlash Waterproof Flashing Membrane is easy to use on the jobsite and is backed by an industry-leading 15-year warranty that covers defective product and provides materials PLUS labor for warranted repairs when used as part of the Henry® 1-2-3 Moisture Control System™.

Features and benefits

-  Highly cost-effective protection against moisture
-  Optimal adhesion allows flashing to remain in place without mechanical fasteners
-  Self-seals around nails and fasteners for lasting watertightness
-  Exceptional tear resistance
-  AAMA 711 compliant
-  Compatible with Moistop® Sealant

Performance standards you can trust

FortiFlash Waterproof Flashing Membrane features a self-sealing rubberized asphalt core and is designed for use as a concealed flashing in frame construction where a waterproof membrane is required.

Physical/performance property	Typical value		Test method
	25 MIL	40 MIL	
Application temperature	40 °F to 120 °F (4.4 °C to 48.9 °C)		-
Service temperature	-40 °F to 149 °F (-40 °C to 65 °C)		-
Lap adhesion	9.3 lb./inch	10 lb./inch	ASTM D903
Puncture resistance	40 lb _f		ASTM E154
Water vapor permeance	<0.08 perms	<0.05 perms	ASTM E96
Water resistance	>200 hours		ASTM D779

*FortiFlash is tested in accordance with ASTM International procedures. The values shown are typical values obtained in these tests.

Product characteristics

Composition	Asphalt adhesive that is laminated to polyolefin film reinforcement with a silicized paper release sheet.	
Roll size	4", 6", 9", 12", 18" or 36" x 75'	
	25 MIL	40 MIL
Weight (lbs. per roll)	3.8 (4")	5.7 (4")
	5.7 (6")	8.6 (6")
	8.5 (9")	13 (9")
	11.4 (12")	17 (12")
	15 (18")	26 (18")
	30 (36")	52 (36")

Product approvals, certifications and specifications

Complies with the International Code Council Evaluation Services Acceptance Criteria for Flashing Materials (AC 148)
Complies as flexible flashing specified in Chapter 14 of the International Building Code and Chapter 7 of the International Residential Code
ASTM D412 - Standard Test Methods for Vulcanized Rubber and Thermoplastic Rubbers and Thermoplastic Elastomers-Tension
ASTM D779 - Standard Test Method for Water Resistance of Paper, Paperboard and Other Sheet Materials by the Dry Indicator Method
ASTM D903 - Peel or Stripping Strength of Adhesive Bonds
ASTM E96 - Water Vapor Transmission of Materials
ASTM E154 - Standard Test Methods for Water Vapor Retarders Used in Contact with Earth Under Concrete Slabs, on Walls, or as Ground Cover
AAMA 711 - Voluntary specification for self-adhering flashing



Featuring a range of compatible weather barriers, flashings and sealants, the Henry® 1-2-3 Moisture Control System™ makes it easier than ever to build with confidence.

Henry, Building Envelope Systems, and FortiFlash are registered trademarks of the Henry Company

Limitations: For optimum adhesion, FortiFlash should be applied at temperatures between 40 °F (4.4 °C) and 120 °F (48.9 °C). Be cautious about using FortiFlash where it can be exposed to temperatures above its Service Temperature such as hot climates or behind fiber cement and metal sidings that absorb a significant amount of heat. Product should be covered as soon as possible (exposure not to exceed 60 days). Inspect product to ensure it is free of any damage which may compromise its moisture-resistive properties. FortiFlash is not compatible with EPDM or flexible (plasticized) Polyvinyl Chloride (PVC) based membranes. Where installed horizontally or with a slope of less than 60° do not use fasteners. FortiFlash also is not compatible with some sealants. Consult with sealant manufacturer for compatibility information. Direct exposure of sealant to the adhesive side of FortiFlash can be detrimental if the amount of sealant exceeds what is specified in Henry's installation guide. Please follow installation guide recommendations regarding location and amount of sealant to be used. Henry strongly recommends using Moistop® Sealant for any installation where sealant may come in contact with the FortiFlash adhesive.

Installation: Prior to installation, surfaces should be dry and cleaned free of any dirt or other substances that may interfere with adhesion, as well as any sharp protrusions. Surfaces shall have no voids, damaged, or unsupported areas. Repair surfaces before installing membrane. Primer must be used over some substrates including gypsum board (including Dens-Glass Gold), concrete and masonry. For all other substrates field test a small sample of FortiFlash prior to application. If adhesion is inadequate, apply Aquatac™ Primer or 3M Super 77® Spray Adhesive according to the manufacturer's application instructions. Areas not covered with membrane the same day must be re-primed.

To apply FortiFlash, peel away the release paper and press membrane firmly over substrate, applying sufficient pressure with a metal or wood roller along the entire membrane to ensure a continuous seal.

Availability: Henry products are distributed nationwide. For product information and pricing, please call a Henry distributor near you. If you need assistance locating a participating distributor, please call our Customer Service Department at 1-800-773-4777.

Henry Product Warranty Information: This product may be eligible for the 15-year Henry 1-2-3 Moisture Control System Warranty when used in conjunction with other products. See <https://us.henry.com/warranty> for details.

We, the manufacturer, warrant only that this product is free of defects, since many factors which affect the results obtained from this product – such as weather, workmanship, equipment utilized, and prior condition of the substrate – are all beyond our control. We will replace at no charge any product proved to have a material defect within 12-months of purchase, provided it has been applied in accordance with our written directions for uses we recommend as suitable for this product. Proof of purchase must be provided.

DISCLAIMER OF WARRANTIES AND LIMITATION OF LIABILITY: THIS LIMITED WARRANTY IS IN LIEU OF ANY OTHER WARRANTIES, EXPRESS OR IMPLIED, INCLUDING BUT NOT LIMITED TO ANY IMPLIED WARRANTY OF MERCHANTABILITY OR FITNESS FOR A PARTICULAR PURPOSE. NO ONE, INCLUDING THE MANUFACTURER, SHALL HAVE ANY LIABILITY OF ANY KIND BEYOND PRODUCT REPLACEMENT, INCLUDING FOR NEGLIGENCE OR FOR DIRECT, CONSEQUENTIAL, EXEMPLARY OR INCIDENTAL DAMAGES, RESULTING FROM ANY MISUSE, DEFECTS OR DELAYS CAUSED BY REPLACEMENT OR OTHERWISE. IF PURCHASER DOES NOT ACCEPT THESE TERMS, PURCHASER MAY RETURN WITHIN 30-DAYS OF PURCHASE ALL UNOPENED CONTAINERS OR PACKAGES OF PRODUCT PURCHASED FOR A FULL REFUND. RETENTION OF PRODUCT BEYOND 30-DAYS, OR USE OF PRODUCT SHALL CONSTITUTE ACCEPTANCE OF THESE TERMS, CONDITIONS, AND DISCLAIMERS. THIS LIMITED WARRANTY AND LIABILITY DISCLAIMER PROVIDES THE PURCHASER'S EXCLUSIVE REMEDY FOR ANYTHING RELATING TO THE PRODUCT.

To the extent that any part of this LIMITED PRODUCT WARRANTY AND LIABILITY DISCLAIMER is determined unenforceable under the law of the place of purchase of the product, that part is severed and the remainder of these terms remain in full force and effect. To the extent permitted by law, the duration of any implied warranties is limited to the duration of Henry's express warranty.

This warranty language supersedes any language found elsewhere, including product labels, sell sheets and/or technical documents.

Henry®

Building Envelope Systems®
Wall & Window | Roof | Foundation

Ask us today about other Henry® solutions that help manage the flow of water, air, vapor and energy.



An accessory component of the Henry® 1-2-3 Moisture Control System™

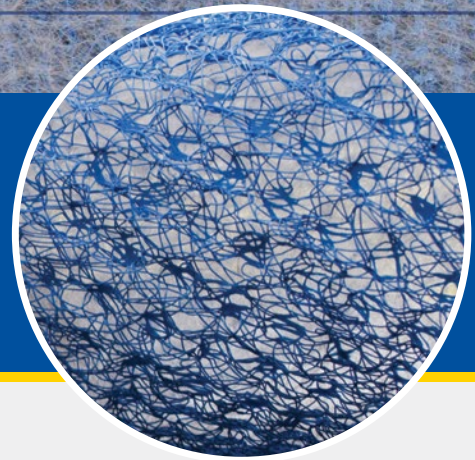
SUPER Jumbo
Weather-Resistive

ASTM E2556 Type II
Conforms to Federal
UU-B-790a Type 1



WeatherSmart
Rainscreen
www.henry.com

Henry® WeatherSmart® Rainscreen



Durable drainage and ventilation

Moisture will eventually find its way into any wall assembly, but **Henry® WeatherSmart® Rainscreen** gets moisture out of the wall system to prevent mold and rot.

Compatible with all standard cladding types, **WeatherSmart Rainscreen** provides a 6mm gap between cladding and weather-resistive barrier, creating space for ventilation. The 3D matrix polypropylene strands channel water down and out of the wall assembly and the built-in fabric protects the gap from debris. The result is faster drying wall assemblies and reduced risk of unhealthy mold, rot and mildew.

WeatherSmart Rainscreen is an accessory to the Henry® 1-2-3 Moisture Control System™ of flashings, weather-resistive barriers and sealants. All system components can be used together with confidence.

WeatherSmart Rainscreen may carry a 15-year warranty.

Features and benefits



Creates gap between weather-resistive barrier and cladding that enhances ventilation and improves drying



Serves as a protective layer between stucco and weather-resistive barrier



Compression-resistant polypropylene strands channel water down and out of wall system



Reduces risk of mold and mildew for better building health



Meets code requirements (6mm)



Compatible with all standard cladding types

Performance standards you can trust

WeatherSmart Rainscreen is an advanced rainscreen system featuring a 3D matrix of heavy polypropylene strands with a fabric backing that provides a fast-drying gap for reliable drainage and ventilation.

Physical/performance property	Typical value	Test method
Flamespread	Class A	ASTM E84
Drainage efficiency	>94%	ASTM 2925
Air ventilation	1.27 L/s @ 10 Pa	ASTM D2950

*WeatherSmart Rainscreen is tested in accordance with ASTM International procedures. The values shown are typical values obtained in these tests.

Product characteristics

Gap height (core thickness)	6mm (.24 inches)
Total thickness	7.1mm
Mat (core) composition	Polypropylene
Fabric composition	Nylon and Polyester
Roll size	39" x 61.6 lineal ft.
Roll weight	13.6 lbs.

Product approvals, certifications and specifications

ASTM E84 - Standard Test Method for Surface Burning Characteristics of Building Materials
ASTM 2925 - Standard Specification for Manufactured Polymeric Drainage and Ventilation Materials Used to Provide a Rainscreen Function
ASTM D2950 - Standard Test Method for Density of Bituminous Concrete in Place by Nuclear Methods



Featuring a range of compatible weather barriers, flashings and sealants, the Henry® 1-2-3 Moisture Control System™ makes it easier than ever to build with confidence.

Henry, Building Envelope Systems, and WeatherSmart are registered trademarks of the Henry Company

Limitations: Consult local building codes and regulations prior to installation. For use on vertical, above grade walls only. Not for roofs or below grade installations. Cover rainscreen as soon as possible, exposure not to exceed 30 days. Exterior finish materials should be installed according to manufacturer's installation guidelines. Butt edges together to maintain a flat surface; do not overlap 3D matrix.

Installation: Install over weather-resistive barrier (WRB) with fabric side facing out after windows and doors have been installed and flashed. Begin at the bottom of the wall with fabric flap facing down and fasten to sheathing or studs using non-corrosive nails or staples. Avoid fastening through flashing or weep screeds and do not over-fasten. Butt edges together to maintain a flat surface; do not overlap 3D matrix.

To prevent insects from getting inside the air gap at the base of the wall, fold the filter fabric flap around the bottom of the rainscreen and tuck between the entangled filaments and the WRB. Place the second course of rainscreen with the fabric flap at the bottom. Butt top edge of bottom course matrix to the bottom edge of the matrix on the new course, maintaining a flat surface. The fabric edge of the new course should overlap the 3D matrix of the prior course in shingle fashion. Use this method for remaining courses. For the last course, rainscreen can be applied so the fabric edge is at the top. The fabric can be tucked behind the 3D matrix in front of the WRB to screen out insects. If installing with stucco or masonry, install rainscreen over weather-resistive barrier with fabric side facing out to prevent stucco from blocking drainage. Use tape to secure any seams that are not lapped with the fabric flap to prevent stucco from getting behind rainscreen. Lath can be installed directly on top of rainscreen.

Availability: Henry products are distributed nationwide. For product information and pricing, please call a Henry distributor near you. If you need assistance locating a participating distributor, please call our Customer Service Department at 1-800-773-4777.

Henry Product Warranty Information: This product may be eligible for the 15-year Henry 1-2-3 Moisture Control System Warranty when used in conjunction with other products. See <https://us.henry.com/warranty> for details.

We, the manufacturer, warrant only that this product is free of defects, since many factors which affect the results obtained from this product – such as weather, workmanship, equipment utilized, and prior condition of the substrate – are all beyond our control. We will replace at no charge any product proved to have a material defect within 12-months of purchase, provided it has been applied in accordance with our written directions for uses we recommend as suitable for this product. Proof of purchase must be provided.

DISCLAIMER OF WARRANTIES AND LIMITATION OF LIABILITY: THIS LIMITED WARRANTY IS IN LIEU OF ANY OTHER WARRANTIES, EXPRESS OR IMPLIED, INCLUDING BUT NOT LIMITED TO ANY IMPLIED WARRANTY OF MERCHANTABILITY OR FITNESS FOR A PARTICULAR PURPOSE. NO ONE, INCLUDING THE MANUFACTURER, SHALL HAVE ANY LIABILITY OF ANY KIND BEYOND PRODUCT REPLACEMENT, INCLUDING FOR NEGLIGENCE OR FOR DIRECT, CONSEQUENTIAL, EXEMPLARY OR INCIDENTAL DAMAGES, RESULTING FROM ANY MISUSE, DEFECTS OR DELAYS CAUSED BY REPLACEMENT OR OTHERWISE. IF PURCHASER DOES NOT ACCEPT THESE TERMS, PURCHASER MAY RETURN WITHIN 30-DAYS OF PURCHASE ALL UNOPENED CONTAINERS OR PACKAGES OF PRODUCT PURCHASED FOR A FULL REFUND. RETENTION OF PRODUCT BEYOND 30-DAYS, OR USE OF PRODUCT SHALL CONSTITUTE ACCEPTANCE OF THESE TERMS, CONDITIONS, AND DISCLAIMERS. THIS LIMITED WARRANTY AND LIABILITY DISCLAIMER PROVIDES THE PURCHASER'S EXCLUSIVE REMEDY FOR ANYTHING RELATING TO THE PRODUCT.

To the extent that any part of this LIMITED PRODUCT WARRANTY AND LIABILITY DISCLAIMER is determined unenforceable under the law of the place of purchase of the product, that part is severed and the remainder of these terms remain in full force and effect. To the extent permitted by law, the duration of any implied warranties is limited to the duration of Henry's express warranty.

This warranty language supersedes any language found elsewhere, including product labels, sell sheets and/or technical documents.

Henry®

Building Envelope Systems®
Wall & Window | Roof | Foundation

Ask us today about other Henry® solutions that help manage the flow of water, air, vapor and energy.



A step 3 component of the Henry® 1-2-3 Moisture Control System



Henry® Moistop® Sealant



Completely compatible moisture resistance

Designed to make weatherization easier and save time on the jobsite, **Henry® Moistop® Sealant** is both a moisture-resistant sealant and a flashing. Fully compatible with all Henry products, **Moistop Sealant** delivers excellent adhesion and moisture resistance on a wide range of building materials, surfaces and structures. It also provides flexible, gap-free flashing even around curved intrusions and can fill construction joints up to ½ inch thick.

Part of the Henry® 1-2-3 moisture control system, **Moistop Sealant** is designed to withstand the rigors of the jobsite and the elements, and is backed by an industry-leading 15-year material PLUS labor warranty.

Features and Benefits



Exceeds AAMA 808.3 and ASTM C920 standards



Optimal adhesion on most surfaces



Conforms to any shape and fills joints up to ½" wide



Paintable and durable



Excellent balance between water resistance and permeability

Performance standards you can trust

Moistop Sealant is continually tested in accordance with AAMA and ASTM procedures. It provides an exterior perimeter sealing compound for windows and doors that is compatible with most commonly used building materials.

Physical/performance property	Typical value	Test method
Peel adhesion:	20 lb/in Pass	ASTM C794 AAMA 799
Tensile maximum:	200 psi (1.38 N/mm ²)	ASTM D412
Elongation:	450%	ASTM D412
Max VOC:	9 g/l (.075 lbs/gal)	ASTM D3960
Hardness:	30 ±5	ASTM C661
Service temperature:	-40 °F to 180 °F (-40 °C to 82.2 °C)	-
Application temperature:	40 °F to 110 °F (4.4 °C to 43.3 °C)	-
Tack time:	<1 hour	1/4" (6.34 mm) diam. bead @ 77 °F (25 °C) 50% R.H.
Cure time:	24 hours	1/4" (6.34 mm) diam. bead @ 77 °F (25 °C) 50% R.H.
Movement capability	±25%	ASTM C719
Liquid applied flashing:	Pass	AAMA 714-15

*Moistop is continually tested in accordance with ASTM procedures. The values shown are typical values obtained in these tests.

Product characteristics

Composition	One component, moisture curing, non-sag, gun-grade elastomeric polymer for use as a sealant or liquid applied flashing.
--------------------	---

Approximate coverage (Ln. Ft. per 10 oz.)

	Sealant		Liquid applied flashing	
	30'	-	25 mil	40 mil
3/8" Bead	30'	-	-	-
4" width	-	15'	10'	10'
6" width	-	10'	6'	6'

Product approvals and certifications

ASTM C920 Type S, Grade NS, Class 25, Use-NT, Use-A, Use-M, Use-G, Use-O
AAMA 808.3-92 (Exterior Perimeter Sealing Compound)
AAMA 714-15



Featuring a range of compatible weather barriers, flashings and sealants, the Henry® 1-2-3 Moisture Control System makes it easier than ever to build with confidence.

Henry and Moistop are registered trademarks of the Henry Company

Limitations: Not recommended for unprimed masonry joints that will be subjected to continuous water immersion; joints that are contaminated with grease, wax, corrosion or cement laitance; horizontal joints in floor or decks where physical abuse is encountered; special architectural finishes without proper testing. Not compatible with solvent-based paints.

Installation: Moistop Sealant should be applied when temperatures are between 40 °F and 112 °F. Do not apply to frost-bearing surfaces or when temperatures have been below freezing for more than 24 hours immediately prior to installation. Tooling techniques using solvents or soapy solutions are not recommended; sealant cannot be cleaned/tooled uncured with solvents (isopropyl alcohol is recommended). All surfaces must be evaluated for adhesion prior to product acceptance.

Compatibility and Adhesion: It is expected that Moistop Sealant will adhere and perform in uncontaminated joints with most common construction substrates. Substrates include but are not limited to concrete, exterior gypsum, stucco, EIFS, aluminum, galvanized surfaces, glass, wood and polyvinyl chloride (PVC). Due to the vast numbers and types of surface coatings and treatments available, Henry recommends pretesting Moistop Sealant on the surface in question. Sealant compatibility testing is not required for Henry's full line of flashing products and weather-resistive barriers. All surfaces should be clean and clear of any surface contamination. In the case of some exotic coatings, priming or other surface treatment may be necessary.

Shelf Life: Moistop Sealant will exhibit a ten (10) month shelf life when stored at temperatures not exceeding 75 °F. "Use by" date is printed on each tube.

Availability: Henry products are distributed nationwide. For product information and pricing, please call a Henry distributor near you. If you need assistance locating a participating distributor, please call our Customer Service Department at 1-800-773-4777.

Precautions: IF THIS PRODUCT IS USED IN DIRECT CONTACT WITH ANY OTHER SEALANT OR ELASTOMER, A COMPATIBILITY TEST MUST BE CONDUCTED BY PURCHASER OR USER, PRIOR TO ACCEPTANCE. MOISTOP SEALANT AND LIQUID FLASHING IS NOT COMPATIBLE WITH OXIME CONTAINING SILICONE SEALANTS. The suitability of this product, for each intended use, must be determined by the purchaser prior to acceptance. Avoid skin contact. On contact, uncured sealant could cause irritation to the skin and eyes. In the case of eye contact, flush immediately with warm water for at least 15 minutes and call a physician. For skin contact, remove with a towel and wash the affected area with a citrus-based hand cleaner. If swallowed, do not induce vomiting; call a physician. This product is manufactured for industrial use only. Refer to Safety Data Sheet (SDS) on the company's website at www.henry.com for further information. For medical emergency call Henry Technical Support at 800-773-4777.

Henry Product Warranty Information: This product may be eligible for the 15-year Henry 1-2-3 Moisture Control System Warranty when used in conjunction with other products. See <https://us.henry.com/warranty> for details.

We, the manufacturer, warrant only that this product is free of defects, since many factors which affect the results obtained from this product – such as weather, workmanship, equipment utilized, and prior condition of the substrate – are all beyond our control. We will replace at no charge any product proved to have a material defect within 12-months of purchase, provided it has been applied in accordance with our written directions for uses we recommend as suitable for this product. Proof of purchase must be provided.

DISCLAIMER OF WARRANTIES AND LIMITATION OF LIABILITY: THIS LIMITED WARRANTY IS IN LIEU OF ANY OTHER WARRANTIES, EXPRESS OR IMPLIED, INCLUDING BUT NOT LIMITED TO ANY IMPLIED WARRANTY OF MERCHANTABILITY OR FITNESS FOR A PARTICULAR PURPOSE. NO ONE, INCLUDING THE MANUFACTURER, SHALL HAVE ANY LIABILITY OF ANY KIND BEYOND PRODUCT REPLACEMENT, INCLUDING FOR NEGLIGENCE OR FOR DIRECT, CONSEQUENTIAL, EXEMPLARY OR INCIDENTAL DAMAGES, RESULTING FROM ANY MISUSE, DEFECTS OR DELAYS CAUSED BY REPLACEMENT OR OTHERWISE. IF PURCHASER DOES NOT ACCEPT THESE TERMS, PURCHASER MAY RETURN WITHIN 30-DAYS OF PURCHASE ALL UNOPENED CONTAINERS OR PACKAGES OF PRODUCT PURCHASED FOR A FULL REFUND. RETENTION OF PRODUCT BEYOND 30-DAYS, OR USE OF PRODUCT SHALL CONSTITUTE ACCEPTANCE OF THESE TERMS, CONDITIONS, AND DISCLAIMERS. THIS LIMITED WARRANTY AND LIABILITY DISCLAIMER PROVIDES THE PURCHASER'S EXCLUSIVE REMEDY FOR ANYTHING RELATING TO THE PRODUCT. To the extent that any part of this LIMITED PRODUCT WARRANTY AND LIABILITY DISCLAIMER is determined unenforceable under the law of the place of purchase of the product, that part is severed and the remainder of these terms remain in full force and effect. To the extent permitted by law, the duration of any implied warranties is limited to the duration of Henry's express warranty.

This warranty language supersedes any language found elsewhere, including product labels, sell sheets and/or technical documents.

Henry®

Building Envelope Systems®
Wall & Window | Roof | Foundation

Ask us today about other Henry® solutions that help manage the flow of water, air, vapor and energy.



TECHNICAL DATA SHEET
212 All Purpose Sealant
Crystal Clear Sealant

Physical Property	Typical Value	Test Method
Color	Clear	-
Application Temperature	32°F to 110°F (0°C to 43°C)	-
Service Temperature, cured	-40°F to 180°F (-40°C to 82°C)	-
Durometer Hardness, max	55 Shore A	ASTM D2240
Elongation, min	200%	ASTM D412
Flash Point	75°F (24°C)	ASTM D93
Dry Time	Initial Set: 30 min Set Through: 3 to 7 days at RT	-
Peel Strength, min	Aluminum/Glass: 5 p.i.w. (22N)	ASTM D412
Specific Gravity	1.06 at 77°F (25°C)	-
VOC Content, max	350 g/L	-

Description

212 All Purpose Crystal Clear Sealant is a one-part, highly elastic, high-performance thermoplastic sealant. The sealant exhibits excellent adhesion to a variety of construction materials. It can be applied to wet or dry surfaces and has excellent low temperature flexibility. It is non-staining, non-sagging and skins over, tack free within 30 minutes.

Features

- Provides clear, invisible patch
- Goes on clear and cures clear
- Remains flexible - no cracking
- Excellent adhesion, even on wet surfaces

Application

Prep: **212 All Purpose Crystal Clear Sealant** should only be applied to sound surfaces that are free from oil, grease, wax, dust, corrosion, or any material that may interfere with obtaining optimum adhesion.

Concrete and Masonry: Fresh concrete should be fully cured and dried. This may require as much as 3 to 4 weeks. If surfaces are dusty, they should be blown or brushed free and cleaned. Mold release agents or curing agents should be removed, as they will prevent good adhesion.

Aluminum and other Non-Ferrous: If the surface has previously been sealed or exposed to the air for a period of time, remove all previous compounds or surface oxidation by wire brushing.

Steel: Remove all corrosion or coatings by wire brushing.

Glass / Fiberglass: Wipe, if necessary, the surfaces to be sealed with clean, oil-free solvent and dry thoroughly.

Wood: Remove all paint and other loose coatings. Sand to provide a good, clean surface.

Apply: For neatness of joint, adjacent surfaces can be masked with tape. Apply sealant in the joint from the bottom up, filling completely and avoiding entrapping air. Tool the surface for appearance and ensure adequate adhesion between the sealant and the joint sides. Dry tooling is preferred. As soon as application and tooling is complete, remove any masking tape. In joints up to ½" (13 mm) wide, the depth of the sealant should be equal to the width, but not less than ⅛" (3 mm). When joints are greater than the desired depth, they should be packed with a supplementary material, such as backer rod.

Coverage: Cartridge: nominal 15 lineal feet (4.6 m) based on ⅜" (10 mm) bead
Quart: nominal 3 ft² (0.28 m²) applied ⅛" (3 mm) thick by trowel

Limitations: Do not use on insulated glass panels, laminated glass edges or polystyrene. Not intended for interior use. Direct contact with asphalt based building materials may result in some bleed-through, staining or discoloration.

212 All Purpose Crystal Clear Sealant

Clean-up

Complete clean-up before sealant cures with mineral spirits. Clean hands with a waterless hand cleaner.

Packaging

10.1 oz. cartridge
1 Quart

Storage

212 All Purpose Crystal Clear Sealant has a shelf life of 12 months from date of manufacture, when stored in original unopened container at or below 80°F (26°C). Containers should always be kept sealed when not in use.

For more information, visit www.henry.com or for technical assistance call us at 800-486-1278. For more information on Henry's® product warranty and liability disclaimer please visit www.henry.com/warranty. Refer to the Safety Data Sheet prior to using this product. The Safety Data Sheet is available at www.henry.com or by emailing Henry® Product Support at productsupport@henry.com or by calling 800-486-1278.

© Henry is a registered trademark of Henry Company

The technical and application information herein is based on the present state of our best scientific and practical knowledge. As the information herein is of a general nature, no assumption can be made as to a product's suitability for a particular use or application and no warranty as to its accuracy, reliability or completeness either expressed or implied is given other than those required by law. The user is responsible for checking the suitability of products for their intended use. Henry® Company data sheets are updated on a regular basis; it is the user's responsibility to obtain and to confirm the most recent version. Information contained in this data sheet may change without notice.



SAFETY DATA SHEET

Issue Date 25-May-2016

Revision Date 25-May-2016

Version 1

1. IDENTIFICATION

Product identifier

Product Name BLUESKIN VP100

Other means of identification

Product Code HE100GUSA

Synonyms None

Recommended use of the chemical and restrictions on use

Recommended Use Waterproofing Sealers Water transport

Uses advised against No information available

Details of the supplier of the safety data sheet

Manufacturer Address

HENRY COMPANY

999 N. Sepulveda Blvd., Suite 800

El Segundo, CA 90245-2716

Web Site: www.henry.com www.ca.henry.com

Emergency telephone number

Company Phone Number 800-486-1278

Emergency Telephone CHEMTREC: 800-424-9300

CHEMTREC: 703-527-3887

CANUTEC: 613-966-6666

2. HAZARDS IDENTIFICATION

Classification

OSHA Regulatory Status

This article doesn't contain hazardous substances or mixtures intended to be released under normal or reasonably foreseeable conditions of use This chemical is not considered hazardous by the 2012 OSHA Hazard Communication Standard (29 CFR 1910.1200)

Label elements

Not classified

Emergency Overview

Hazard statements

None

Appearance sheet

Physical state Solid

Odor Slight

Precautionary Statements - Prevention

Not applicable

Precautionary Statements - Response

Not applicable

Hazards not otherwise classified (HNOC)

Not applicable

Other Information

Not applicable.

Unknown acute toxicity

0% of the mixture consists of ingredient(s) of unknown toxicity

3. COMPOSITION/INFORMATION ON INGREDIENTS

Substance

Not applicable

Mixture

This article doesn't contain hazardous substances or mixtures intended to be released under normal or reasonably foreseeable conditions of use.

Chemical Name	CAS No	Weight-%
Modified polyolefin *	Proprietary	60 - 100
Polyethylene *	9002-88-4	10 - 30

*The exact percentage (concentration) of composition has been withheld as a trade secret.

4. FIRST AID MEASURES

Description of first aid measures

General advice

In case of accident or unwellness, seek medical advice immediately (show directions for use or safety data sheet if possible). If symptoms persist, call a physician.

Eye contact

Keep eye wide open while rinsing. Immediately flush with plenty of water. After initial flushing, remove any contact lenses and continue flushing for at least 15 minutes. If symptoms persist, call a physician.

Skin contact

Wash off immediately with soap and plenty of water while removing all contaminated clothes and shoes. If symptoms persist, call a physician. Wash contaminated clothing before reuse.

Inhalation

Remove to fresh air. If breathing is irregular or stopped, administer artificial respiration. Avoid direct contact with skin. Use barrier to give mouth-to-mouth resuscitation. If symptoms persist, call a physician.

Ingestion

Call a physician or poison control center immediately. Do not induce vomiting without medical advice. Rinse mouth. Never give anything by mouth to an unconscious person.

Self-protection of the first aider

Use personal protective equipment as required.

Most important symptoms and effects, both acute and delayed

Symptoms

None known.

Indication of any immediate medical attention and special treatment needed

Note to physicians

Treat symptomatically.

5. FIRE-FIGHTING MEASURES

Suitable extinguishing media

Use extinguishing measures that are appropriate to local circumstances and the surrounding environment. Dry chemical, CO2, sand, earth, water spray or regular foam.

Unsuitable extinguishing media Do not use a solid water stream as it may scatter and spread fire.

Specific hazards arising from the chemical

Thermal decomposition can lead to release of irritating and toxic gases and vapors.

Explosion data

Sensitivity to Mechanical Impact None.

Sensitivity to Static Discharge None.

Protective equipment and precautions for firefighters

As in any fire, wear self-contained breathing apparatus pressure-demand, MSHA/NIOSH (approved or equivalent) and full protective gear.

6. ACCIDENTAL RELEASE MEASURES

Personal precautions, protective equipment and emergency procedures

Personal precautions Use personal protective equipment as required.

Environmental precautions

Environmental precautions Collect spillage. Dispose of contents/container to an approved waste disposal plant.

Methods and material for containment and cleaning up

Methods for containment No information available.

Methods for cleaning up Pick up and transfer to properly labeled containers.

7. HANDLING AND STORAGE

Precautions for safe handling

Advice on safe handling Handle in accordance with good industrial hygiene and safety practice. Use personal protective equipment as required.

Conditions for safe storage, including any incompatibilities

Storage Conditions Keep container tightly closed in a dry and well-ventilated place.

Incompatible materials Strong oxidizing agents. Strong acids. Strong bases.

8. EXPOSURE CONTROLS/PERSONAL PROTECTION

Control parameters

Exposure Guidelines This article doesn't contain hazardous substances or mixtures intended to be released under normal or reasonably foreseeable conditions of use.

Appropriate engineering controls

Engineering Controls Showers
Eyewash stations
Ventilation systems.

Individual protection measures, such as personal protective equipment

Eye/face protection Wear safety glasses with side shields (or goggles).

Skin and body protection Wear protective gloves and protective clothing.

Respiratory protection If exposure limits are exceeded or irritation is experienced, NIOSH/MSHA approved respiratory protection should be worn. Positive-pressure supplied air respirators may be

required for high airborne contaminant concentrations. Respiratory protection must be provided in accordance with current local regulations.

General Hygiene Considerations Handle in accordance with good industrial hygiene and safety practice.

9. PHYSICAL AND CHEMICAL PROPERTIES

Information on basic physical and chemical properties

Physical state	Solid	Odor	Slight
Appearance	sheet	Odor threshold	No information available
Color	blue		

<u>Property</u>	<u>Values</u>	<u>Remarks • Method</u>
pH	Not applicable	
Melting point / freezing point	No information available	
Boiling point / boiling range	No information available	
Flash point	No information available	
Evaporation rate	No information available	Not applicable
Flammability (solid, gas)	No information available	
Flammability Limit in Air		
Upper flammability limit:	No information available	
Lower flammability limit:	No information available	
Vapor pressure	0	
Vapor density	No information available	
Relative density	>1	
Water solubility	Insoluble in water	
Solubility in other solvents	No information available	
Partition coefficient	No information available	
Autoignition temperature	>260 °C / >500 °F	
Decomposition temperature	No information available	
Kinematic viscosity	No information available	Not applicable
Dynamic viscosity	No information available	Not applicable
Explosive properties	Not an explosive	
Oxidizing properties	Not applicable	

Other Information

Softening point	No information available
Molecular weight	No information available
VOC Content (%)	No information available
Density	No information available
Bulk density	No information available

10. STABILITY AND REACTIVITY

Reactivity

No data available

Chemical stability

Stable under recommended storage conditions.

Possibility of Hazardous Reactions

None under normal processing.

Conditions to avoid

Storage near to reactive materials. elevated temperature.

Incompatible materials

Strong oxidizing agents. Strong acids. Strong bases.

Hazardous Decomposition Products

Thermal decomposition can lead to release of irritating and toxic gases and vapors.

11. TOXICOLOGICAL INFORMATION

Information on likely routes of exposure

Product Information

Inhalation	None known.
Eye contact	None known.
Skin contact	None known.
Ingestion	No data available.

Chemical Name	Oral LD50	Dermal LD50	Inhalation LC50
Polyethylene 9002-88-4	= 8 g/kg (Rat)	-	-

Information on toxicological effects

Symptoms No information available.

Delayed and immediate effects as well as chronic effects from short and long-term exposure

Sensitization No information available.
Germ cell mutagenicity No information available.
Carcinogenicity The table below indicates whether each agency has listed any ingredient as a carcinogen.

Chemical Name	ACGIH	IARC	NTP	OSHA
Polyethylene 9002-88-4	-	Group 3	-	-

*IARC (International Agency for Research on Cancer)
 Not classifiable as a human carcinogen*

Reproductive toxicity No information available.
STOT - single exposure No information available.
STOT - repeated exposure No information available.
Aspiration hazard No information available.

Numerical measures of toxicity - Product Information**12. ECOLOGICAL INFORMATION**Ecotoxicity

None known

100 % of the mixture consists of component(s) of unknown hazards to the aquatic environment

Persistence and degradability

No information available.

Bioaccumulation

No information available.

Other adverse effects

No information available

13. DISPOSAL CONSIDERATIONSWaste treatment methods

Disposal of wastes Disposal should be in accordance with applicable regional, national and local laws and regulations.

Contaminated packaging Do not reuse container.

14. TRANSPORT INFORMATION

<u>DOT</u>	Not regulated
<u>TDG</u>	Not regulated
<u>IATA</u>	Not regulated
<u>IMDG</u>	Not regulated

15. REGULATORY INFORMATION

International Inventories

TSCA	Complies
DSL/NDSL	Complies
EINECS/ELINCS	Complies
IECSC	Complies
KECL	Complies
PICCS	Complies
AICS	Complies

Legend:

TSCA - United States Toxic Substances Control Act Section 8(b) Inventory

DSL/NDSL - Canadian Domestic Substances List/Non-Domestic Substances List

EINECS/ELINCS - European Inventory of Existing Chemical Substances/European List of Notified Chemical Substances

ENCS - Japan Existing and New Chemical Substances

IECSC - China Inventory of Existing Chemical Substances

KECL - Korean Existing and Evaluated Chemical Substances

PICCS - Philippines Inventory of Chemicals and Chemical Substances

AICS - Australian Inventory of Chemical Substances

US Federal Regulations

SARA 313

Section 313 of Title III of the Superfund Amendments and Reauthorization Act of 1986 (SARA). This product does not contain any chemicals which are subject to the reporting requirements of the Act and Title 40 of the Code of Federal Regulations, Part 372

SARA 311/312 Hazard Categories

Acute health hazard	No
Chronic Health Hazard	No
Fire hazard	No
Sudden release of pressure hazard	No
Reactive Hazard	No

CWA (Clean Water Act)

This product does not contain any substances regulated as pollutants pursuant to the Clean Water Act (40 CFR 122.21 and 40 CFR 122.42)

CERCLA

This material, as supplied, does not contain any substances regulated as hazardous substances under the Comprehensive Environmental Response Compensation and Liability Act (CERCLA) (40 CFR 302) or the Superfund Amendments and Reauthorization Act (SARA) (40 CFR 355). There may be specific reporting requirements at the local, regional, or state level pertaining to releases of this material

US State Regulations

California Proposition 65

This product does not contain any Proposition 65 chemicals

U.S. State Right-to-Know Regulations

U.S. EPA Label Information

EPA Pesticide Registration Number Not applicable

16. OTHER INFORMATION, INCLUDING DATE OF PREPARATION OF THE LAST REVISION

NFPA	Health hazards 0	Flammability 1	Instability 0	Physical and Chemical Properties -
HMIS	Health hazards 0	Flammability 1	Physical hazards 0	Personal protection X

Issue Date 25-May-2016

Revision Date 25-May-2016

Revision Note
No information available

Disclaimer

The information provided in this Material Safety Data Sheet is correct to the best of our knowledge, information and belief at the date of its publication. The information given is designed only as a guidance for safe handling, use, processing, storage, transportation, disposal and release and is not to be considered a warranty or quality specification. The information relates only to the specific material designated and may not be valid for such material used in combination with any other materials or in any process, unless specified in the text.

End of Safety Data Sheet

CLASSIFICATION: 07 27 00.00

created via: HPDC Online Builder

PRODUCT DESCRIPTION: BLUESKINVP™100 IS RESIDENTIAL AND MULTI-FAMILY SELF-ADHERED VAPOR PERMEABLE, WATER RESISTIVE AIR BARRIER MEMBRANE CONSISTING OF AN ENGINEERED FILM AND PATENTED, PERMEABLE ADHESIVE TECHNOLOGY WITH SPLIT-BACK POLY-RELEASE FILM. BLUESKINVP™100 IS FULLY ADHERED TO THE WALL SUBSTRATE IN A "WEATHERBOARD" METHOD WITHOUT MECHANICAL ATTACHMENT. COVERED BY US PATENT 6,901,712, CANADIAN PATENT 2,413,550.

Section 1: Summary

CONTENT INVENTORY

<p>Threshold per material</p> <ul style="list-style-type: none"> <input checked="" type="radio"/> 100 ppm <input type="radio"/> 1,000 ppm <input type="radio"/> Per GHS SDS <input type="radio"/> Per OSHA MSDS <input type="radio"/> Other 	<p>Residuals and impurities considered in 1 of 1 materials</p> <ul style="list-style-type: none"> <input checked="" type="radio"/> see Section 2: Material Notes <input checked="" type="radio"/> see Section 5: General Notes 	<p>Based on the selected Content Inventory Threshold:</p> <p>Characterized..... <input checked="" type="radio"/> Yes <input type="radio"/> No</p> <p>Are the Percent Weight and Role provided for all substances?</p> <p>Screened..... <input checked="" type="radio"/> Yes <input type="radio"/> No</p> <p>Are all substances screened using Priority Hazard Lists with results disclosed?</p> <p>Identified..... <input checked="" type="radio"/> Yes <input type="radio"/> No</p> <p>Are all substances disclosed by Name (Specific or Generic) and Identifier?</p>
--	--	--

CONTENT IN DESCENDING ORDER OF QUANTITY

Summary of product contents and results from screening individual chemical substances against HPD Priority Hazard Lists and the GreenScreen for Safer Chemicals®. The HPD does not assess whether using or handling this product will expose individuals to its chemical substances or any health risk. Refer to Section 2 for further details.

Number of Greenscreen BM-4/BM3 contents..... 0

Contents highest concern GreenScreen Benchmark or List translator Score..... LT-UNK

Nanomaterial..... No

MATERIAL | SUBSTANCE | RESIDUAL OR IMPURITY
GREENSCREEN SCORE | HAZARD TYPE

VP100 [POLYPROPYLENE **LT-UNK** POLYETHYLENE **LT-UNK** BENZENE, ETHENYL-, POLYMER WITH 2-METHYL-1,3-BUTADIENE **LT-UNK** BUTYL RUBBER **LT-UNK** 2,4,8,10-TETRAOXA-3,9-DIPHOSPHASPIRO(5.5)UNDECANE, 3,9-BIS(2,4-BIS(1,1-DIMETHYLETHYL)PHENOXY)- **LT-UNK**]

INVENTORY AND SCREENING NOTES:

VOLATILE ORGANIC COMPOUND (VOC) CONTENT

VOC Content data is not applicable for this product category.

CERTIFICATIONS AND COMPLIANCE

No certifications have been added to this HPD.

<input checked="" type="radio"/> Self-Published*	VERIFIER:	SCREENING DATE: January 31, 2017	EXPIRY DATE*: January 31, 2020
<input type="radio"/> Third Party Verified	VERIFICATION #:	RELEASE DATE: January 31, 2017	* or within 3 months of significant change in product contents

*See HPDC website for details

HAZARDS:**AGENCY(IES) WITH WARNINGS:**

None Found

No warnings found on HPD Priority lists

SUBSTANCE NOTES:

2,4,8,10-TETRAOXA-3,9-DIPHOSPHASPIRO(5.5)UNDECANE, 3,9-BIS(2,4-BIS(1,1-DIMETHYLETHYL)PHENOXY)-

ID: 26741-53-7

%: 0.0100 - 0.1000

GS: LT-UNK

RC: None

NANO: NO

ROLE: Antioxidant

HAZARDS:**AGENCY(IES) WITH WARNINGS:**

None Found

No warnings found on HPD Priority lists

SUBSTANCE NOTES:**Section 3: Certifications and Compliance**

This section lists applicable certification and standards compliance information for VOC emissions and VOC content. Other types of health or environmental performance testing or certifications completed for the product may be provided.

**Section 4: Accessories**

This section lists related products or materials that the manufacturer requires or recommends for installation (such as adhesives or fasteners), maintenance, cleaning, or operations. For information relating to the contents of these related products, refer to their applicable Health Product Declarations, if available.

AQUATAC PRIMER**HPD URL: No HPD link provided**

CONDITION WHEN RECOMMENDED OR REQUIRED AND/OR OTHER NOTES: Used as a primer prior to Blueskin VP100 application.

**Section 5: General Notes**



MANUFACTURER INFORMATION

MANUFACTURER: Henry Company

CONTACT NAME: Whitney Randall

ADDRESS: 999 N. Sepulveda Blvd.
Suite 800
El Segundo, CA 90245
USA

TITLE: Director, Regulatory Compliance Systems

PHONE: 484-557-1247

WEBSITE: www.henry.com

EMAIL: wrandall@henry.com

KEY

OSHA MSDS Occupational Safety and Health Administration Material Safety Data Sheet

GHS SDS Globally Harmonized System of Classification and Labeling of Chemicals Safety Data Sheet

Hazard Types

AQU Aquatic toxicity

GLO Global warming

PHY Physical Hazard (reactive)

CAN Cancer

MAM Mammalian/systemic/organ toxicity

REP Reproductive toxicity

DEV Developmental toxicity

MUL Multiple hazards

RES Respiratory sensitization

END Endocrine activity

NEU Neurotoxicity

SKI Skin sensitization/irritation/corrosivity

EYE Eye irritation/corrosivity

OZO Ozone depletion

LAN Land Toxicity

GEN Gene mutation

PBT Persistent Bioaccumulative Toxic

NF Not found on Priority Hazard Lists

GreenScreen (GS)

BM-4 Benchmark 4 (prefer-safer chemical)

LT-P1 List Translator Possible Benchmark 1

BM-3 Benchmark 3 (use but still opportunity for improvement) BM-2 Benchmark 2 (use but search for safer substitutes)

LT-1 List Translator Likely Benchmark 1

BM-1 Benchmark 1 (avoid - chemical of high concern)

LT-UNK List Translator Benchmark Unknown (insufficient information from List Translator lists to benchmark)

BM-U Benchmark Unspecified (insufficient data to benchmark)

UNK Unknown (no data on List Translator Lists)

Recycled Types

PreC Preconsumer (Post-Industrial)

PostC Postconsumer

Both Both Preconsumer and Postconsumer

Unk Inclusion of recycled content is unknown

None Does not include recycled content

Other

Nano Composed of nanoscale particles or nanotechnology

Declaration Level

Self-declared Manufacturer's self-declaration (First Party)

Independent Lab Manufacturer's self-declaration using results from an independent lab

Second Party Verification by trade association or other interested party

Third Party Verification by independent certifier

Applicable facilities Manufacturing sites to which testing applies

The Health Product Declaration (HPD) Open Standard provides for the disclosure of product contents and potential associated human and environmental health hazards. Hazard associations are based on the HPD Priority Hazard Lists, the GreenScreen List Translator, and when available, full GreenScreen assessments. The HPD Open Standard does not provide an assessment of health impacts throughout the product life cycle. It does not provide an assessment of exposure or risk associated with product handling or use. It also does not address potential health impacts of: (i) substances used or created during the manufacturing process unless they remain in the final product, or (ii) substances created after the product is delivered for end use (e.g., if the product burns, degrades, or otherwise changes chemical composition).

The HPD Open Standard was created and is maintained and evolved by the Health Product Declaration Collaborative (the HPD Collaborative), a customer-led organization composed of stakeholders throughout the building industry. The HPD Collaborative is committed to the continuous improvement of building products through transparency, openness, and innovation throughout the product supply chain.

A disclosure completed in compliance with the HPD Open Standard is referred to as a "Health Product Declaration," or "HPD." The product manufacturer and any applicable independent verifier are solely responsible for the accuracy of statements and claims made in this HPD and for compliance with the HPD Open Standard noted.

Declare. SM

Blueskin VP100 Henry Company LLC

Final Assembly: Kimberton, Pennsylvania, USA

Life Expectancy: Life of Structure Year(s)

End of Life Options: Landfill (100%)

EU CoC Screened: Does Not Contain

Ingredients:

Polypropylene; Polyethylene; 1,3-Butadiene, 2-methyl-, polymer with 2-methyl-1-propene; Benzene, ethenyl-, polymer with 2-methyl-1,3-butadiene; 2,4,8,10-Tetraoxa-3,9-diphosphaspiro[5.5]undecane, 3,9-bis[2,4-bis(1,1-dimethylethyl)phenoxy]-

Living Building Challenge Criteria:

Compliant

I-13 Red List:

- | | |
|---|-----------------------------|
| <input checked="" type="checkbox"/> LBC Red List Free | % Disclosed: 100% at 100ppm |
| <input type="checkbox"/> LBC Red List Approved | VOC Content: Not Applicable |
| <input type="checkbox"/> Declared | |

I-10 Interior Performance: Not Applicable

I-14 Responsible Sourcing: Not Applicable

HCO-0001

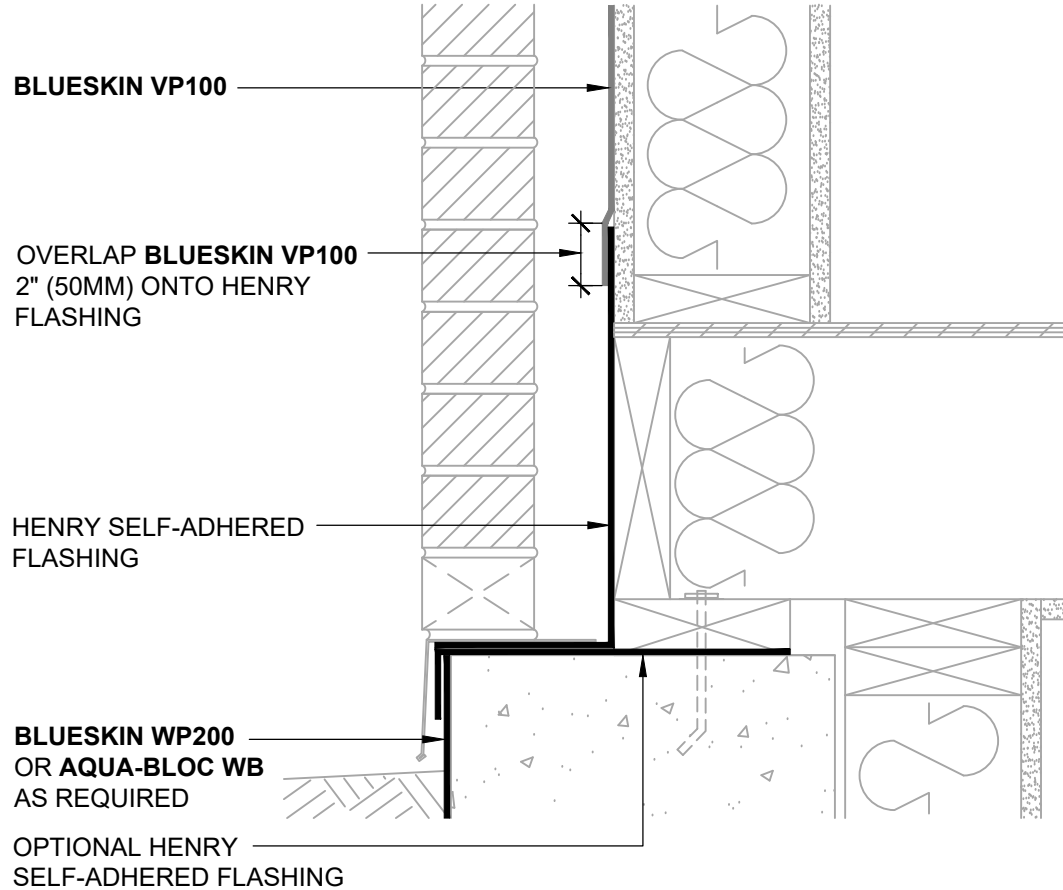
EXP. 01 DEC 2023

SCREENED: 01 NOV 2022

Original Issue Date: 2017

MANUFACTURER RESPONSIBLE FOR LABEL ACCURACY

INTERNATIONAL LIVING FUTURE INSTITUTE™ living-future.org/declare



**HENRY 1-2-3 MOISTURE CONTROL SYSTEM
WEATHER-RESISTIVE BARRIER (WRB)
INSTALLATION GUIDELINES**

NOTES

1. VISIT WWW.HENRY.COM/WARRANTY FOR ELIGIBILITY REQUIREMENTS OF THE 15-YEAR RESIDENTIAL AND LIGHT COMMERCIAL HENRY 1-2-3 MOISTURE CONTROL SYSTEM WARRANTY.
2. HENRY OFFERS **BLUESKIN VP100** IN THE UNITED STATES AND CANADA. PRODUCT AVAILABILITY AND WARRANTY OPTIONS MAY VARY BY LOCATION. REFER TO THE HENRY **BLUESKIN VP100** GUIDE SPECIFICATION FOR RECOMMENDED FLASHINGS, SEALANTS, AND SYSTEM INFORMATION.
3. SEE PRODUCT SPECIFIC TECHNICAL DATA SHEET FOR ROLL SIZES, MAXIMUM UV EXPOSURE, COMPATIBILITY CONCERNS, APPLICATION TEMPERATURES AND SERVICE TEMPERATURE LIMITATIONS.
4. OPTIONAL INTERIOR VAPOR BARRIER NOT SHOWN FOR CLARITY. REFER TO LOCAL CODE ORDINANCES FOR INSULATION AND VAPOR BARRIER REQUIREMENTS.
5. SUBSTRATES MUST BE CLEAN AND DRY.
6. SELF-ADHERED MEMBRANES MAY REQUIRE A PRIMER FOR OPTIMAL ADHESION TO SOME SURFACES AND/OR SUBSTRATE TEMPERATURES. REFER TO PRODUCT SPECIFIC TECHNICAL DATA SHEET FOR PRIMER REQUIREMENTS.
7. ROLL SELF-ADHERED MEMBRANES TO OBTAIN CONTINUOUS ADHESION.
8. VERIFY WEATHER-RESISTIVE BARRIER IS FREE FROM PROTRUSIONS OR DAMAGE PRIOR TO CLADDING INSTALLATION.
9. CONTACT HENRY AT 800-773-4777 FOR TECHNICAL ASSISTANCE.



**BLUESKIN VP100 SELF-ADHERED AIR BARRIER
WALL FOUNDATION**

**EXTERIOR WALL AND FOUNDATION TRANSITION
SLAB BELOW GRADE WITH MASONRY LEDGE**

999 N. Pacific Coast Highway, Suite 800
El Segundo, CA 90245
800-486-1278 • www.henry.com

MANUFACTURER INSTALLATION GUIDELINES ARE FOR REFERENCE ONLY. HENRY DOES NOT ASSUME RESPONSIBILITY FOR ERRORS OR DEVIATIONS IN DESIGN OR ENGINEERING. PROJECT SPECIFIC VERIFICATION IS RECOMMENDED PRIOR TO INSTALLATION. DETAILS ARE NOT TO SCALE. REFER TO PRODUCT SPECIFIC TECHNICAL DATA SHEET FOR PRODUCT INFORMATION, RECOMMENDED AUXILIARY COMPONENTS AND INSTALLATION INSTRUCTIONS.

04-18-2022

PAGE 1 OF 1

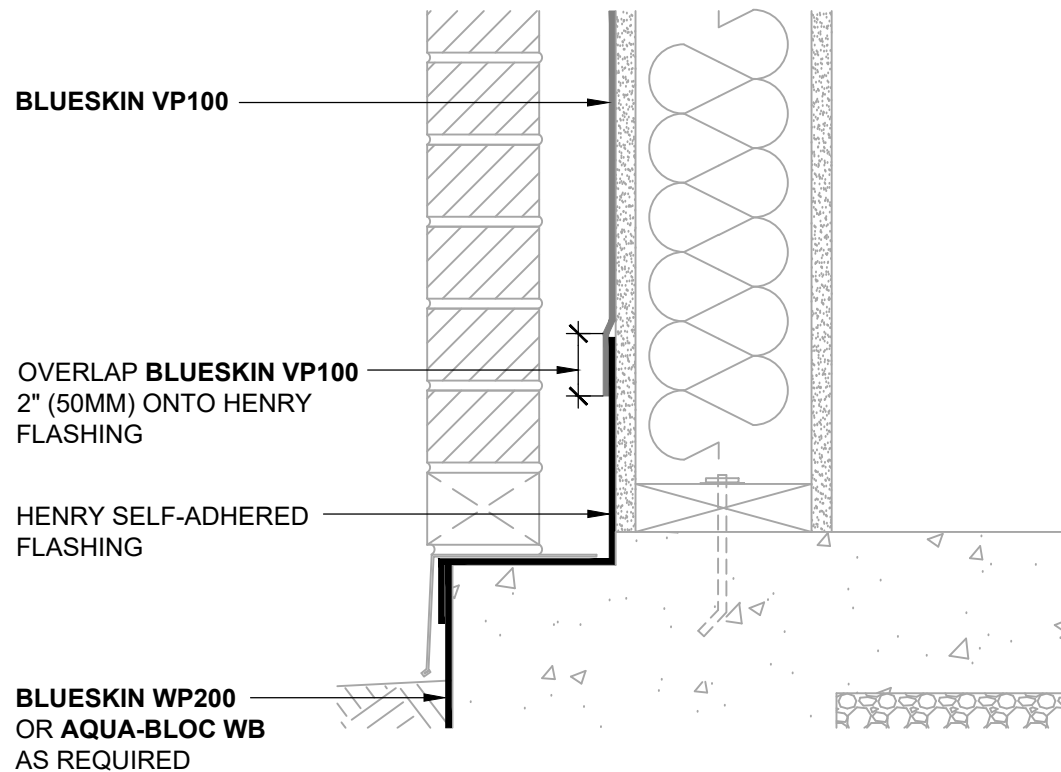
VPWRB-1A



HENRY 1-2-3 MOISTURE CONTROL SYSTEM WEATHER-RESISTIVE BARRIER (WRB) INSTALLATION GUIDELINES

NOTES

1. VISIT WWW.HENRY.COM/WARRANTY FOR ELIGIBILITY REQUIREMENTS OF THE 15-YEAR RESIDENTIAL AND LIGHT COMMERCIAL HENRY 1-2-3 MOISTURE CONTROL SYSTEM WARRANTY.
2. HENRY OFFERS **BLUESKIN VP100** IN THE UNITED STATES AND CANADA. PRODUCT AVAILABILITY AND WARRANTY OPTIONS MAY VARY BY LOCATION. REFER TO THE HENRY **BLUESKIN VP100** GUIDE SPECIFICATION FOR RECOMMENDED FLASHINGS, SEALANTS, AND SYSTEM INFORMATION.
3. SEE PRODUCT SPECIFIC TECHNICAL DATA SHEET FOR ROLL SIZES, MAXIMUM UV EXPOSURE, COMPATIBILITY CONCERNS, APPLICATION TEMPERATURES AND SERVICE TEMPERATURE LIMITATIONS.
4. OPTIONAL INTERIOR VAPOR BARRIER NOT SHOWN FOR CLARITY. REFER TO LOCAL CODE ORDINANCES FOR INSULATION AND VAPOR BARRIER REQUIREMENTS.
5. SUBSTRATES MUST BE CLEAN AND DRY.
6. SELF-ADHERED MEMBRANES MAY REQUIRE A PRIMER FOR OPTIMAL ADHESION TO SOME SURFACES AND/OR SUBSTRATE TEMPERATURES. REFER TO PRODUCT SPECIFIC TECHNICAL DATA SHEET FOR PRIMER REQUIREMENTS.
7. ROLL SELF-ADHERED MEMBRANES TO OBTAIN CONTINUOUS ADHESION.
8. VERIFY WEATHER-RESISTIVE BARRIER IS FREE FROM PROTRUSIONS OR DAMAGE PRIOR TO CLADDING INSTALLATION.
9. CONTACT HENRY AT 800-773-4777 FOR TECHNICAL ASSISTANCE.



Henry

A CARLISLE COMPANY

999 N. Pacific Coast Highway, Suite 800
El Segundo, CA 90245
800-486-1278 • www.henry.com

BLUESKIN VP100 SELF-ADHERED AIR BARRIER WALL FOUNDATION

EXTERIOR WALL AND FOUNDATION TRANSITION
SLAB ON GRADE WITH MASONRY LEDGE

MANUFACTURER INSTALLATION GUIDELINES ARE FOR REFERENCE ONLY. HENRY DOES NOT ASSUME RESPONSIBILITY FOR ERRORS OR DEVIATIONS IN DESIGN OR ENGINEERING. PROJECT SPECIFIC VERIFICATION IS RECOMMENDED PRIOR TO INSTALLATION. DETAILS ARE NOT TO SCALE. REFER TO PRODUCT SPECIFIC TECHNICAL DATA SHEET FOR PRODUCT INFORMATION, RECOMMENDED AUXILIARY COMPONENTS AND INSTALLATION INSTRUCTIONS.

04-18-2022

PAGE 1 OF 1

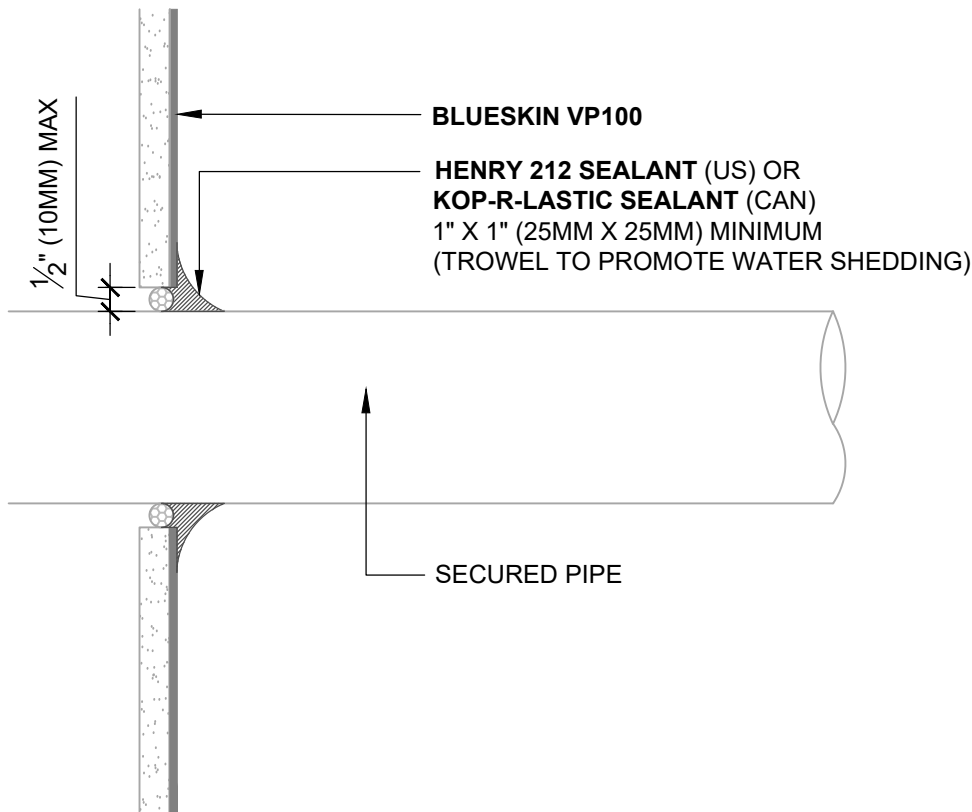
VPWRB-1B



HENRY 1-2-3 MOISTURE CONTROL SYSTEM WEATHER-RESISTIVE BARRIER (WRB) INSTALLATION GUIDELINES

NOTES

1. VISIT WWW.HENRY.COM/WARRANTY FOR ELIGIBILITY REQUIREMENTS OF THE 15-YEAR RESIDENTIAL AND LIGHT COMMERCIAL HENRY 1-2-3 MOISTURE CONTROL SYSTEM WARRANTY.
2. HENRY OFFERS **BLUESKIN VP100** IN THE UNITED STATES AND CANADA. PRODUCT AVAILABILITY AND WARRANTY OPTIONS MAY VARY BY LOCATION. REFER TO THE HENRY **BLUESKIN VP100** GUIDE SPECIFICATION FOR RECOMMENDED FLASHINGS, SEALANTS, AND SYSTEM INFORMATION.
3. SEE PRODUCT SPECIFIC TECHNICAL DATA SHEET FOR ROLL SIZES, MAXIMUM UV EXPOSURE, COMPATIBILITY CONCERNS, APPLICATION TEMPERATURES AND SERVICE TEMPERATURE LIMITATIONS.
4. CLADDING, INSULATION, AND OPTIONAL INTERIOR VAPOR BARRIER NOT SHOWN FOR CLARITY. REFER TO LOCAL CODE ORDINANCES FOR INSULATION AND VAPOR BARRIER REQUIREMENTS.
5. PERMANENTLY SECURE PIPE, LIGHTLY ABRASE AND CLEAN DUST/DEBRIS FROM PIPE PRIOR TO DETAILING.
6. SUBSTRATES MUST BE CLEAN AND DRY.
7. SELF-ADHERED MEMBRANES MAY REQUIRE A PRIMER FOR OPTIMAL ADHESION TO SOME SURFACES AND/OR SUBSTRATE TEMPERATURES. REFER TO PRODUCT SPECIFIC TECHNICAL DATA SHEET FOR PRIMER REQUIREMENTS.
8. ROLL SELF-ADHERED MEMBRANES TO OBTAIN CONTINUOUS ADHESION.
9. VERIFY WEATHER-RESISTIVE BARRIER IS FREE FROM PROTRUSIONS OR DAMAGE PRIOR TO CLADDING INSTALLATION.
10. CONTACT HENRY AT 800-773-4777 FOR TECHNICAL ASSISTANCE.



Henry
A CARLISLE COMPANY

999 N. Pacific Coast Highway, Suite 800
El Segundo, CA 90245
800-486-1278 • www.henry.com

BLUESKIN VP100 SELF-ADHERED AIR BARRIER PIPE PENETRATION

**SUBSTRATE GAPS UP TO 1/2" (10MM) WIDE GAP MAXIMUM
HENRY 212 SEALANT OR KOP-R-LASTIC SEALANT**

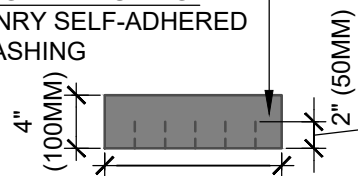
MANUFACTURER INSTALLATION GUIDELINES ARE FOR REFERENCE ONLY. HENRY DOES NOT ASSUME RESPONSIBILITY FOR ERRORS OR DEVIATIONS IN DESIGN OR ENGINEERING. PROJECT SPECIFIC VERIFICATION IS RECOMMENDED PRIOR TO INSTALLATION. DETAILS ARE NOT TO SCALE. REFER TO PRODUCT SPECIFIC TECHNICAL DATA SHEET FOR PRODUCT INFORMATION, RECOMMENDED AUXILIARY COMPONENTS AND INSTALLATION INSTRUCTIONS.

04-18-2022

PAGE 1 OF 1

VPWRB-2A

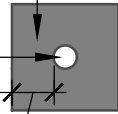
FINGER FLASHING:
HENRY SELF-ADHERED
FLASHING



PIPE CIRCUMFERENCE +1" (25MM)

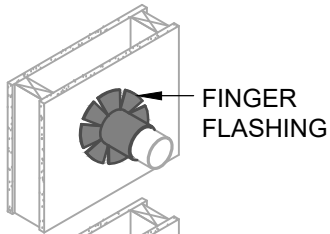
TARGET FLASHING:
HENRY SELF-ADHERED
FLASHING

PIPE DIAMETER



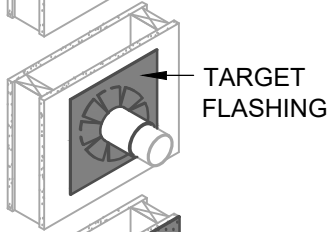
4" (100MM) ALL SIDES

1



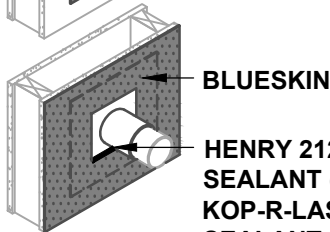
FINGER
FLASHING

2



TARGET
FLASHING

3



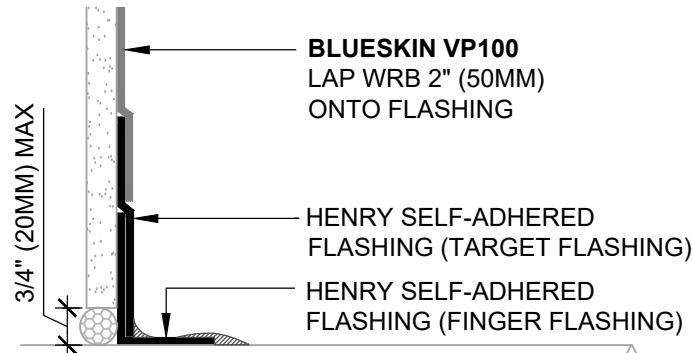
BLUESKIN VP100

**HENRY 212
SEALANT (US) OR
KOP-R-LASTIC
SEALANT (CAN)**

4

PIPE FLASHING

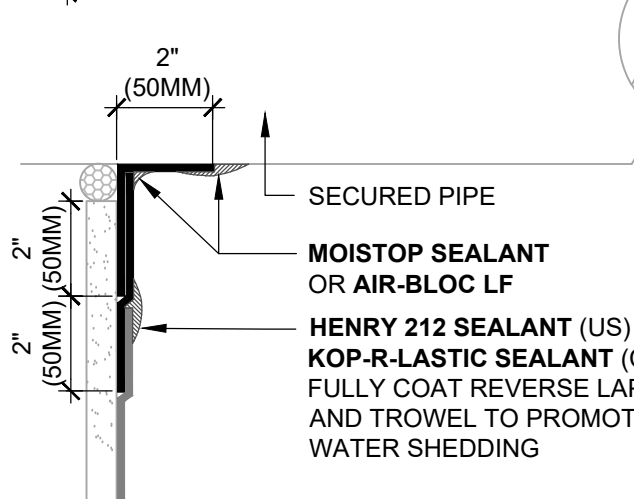
ISOMETRIC VIEW



BLUESKIN VP100
LAP WRB 2" (50MM)
ONTO FLASHING

HENRY SELF-ADHERED
FLASHING (TARGET FLASHING)

HENRY SELF-ADHERED
FLASHING (FINGER FLASHING)



SECURED PIPE

MOISTOP SEALANT
OR **AIR-BLOC LF**

**HENRY 212 SEALANT (US) OR
KOP-R-LASTIC SEALANT (CAN)**
FULLY COAT REVERSE LAP
AND TROWEL TO PROMOTE
WATER SHEDDING

PIPE FLASHING

SECTION VIEW



**HENRY 1-2-3 MOISTURE CONTROL SYSTEM
WEATHER-RESISTIVE BARRIER (WRB)
INSTALLATION GUIDELINES**

NOTES

1. VISIT WWW.HENRY.COM/WARRANTY FOR ELIGIBILITY REQUIREMENTS OF THE 15-YEAR RESIDENTIAL AND LIGHT COMMERCIAL HENRY 1-2-3 MOISTURE CONTROL SYSTEM WARRANTY.
2. HENRY OFFERS **BLUESKIN VP100** IN THE UNITED STATES AND CANADA. PRODUCT AVAILABILITY AND WARRANTY OPTIONS MAY VARY BY LOCATION. REFER TO THE HENRY **BLUESKIN VP100** GUIDE SPECIFICATION FOR RECOMMENDED FLASHINGS, SEALANTS, AND SYSTEM INFORMATION.
3. SEE PRODUCT SPECIFIC TECHNICAL DATA SHEET FOR ROLL SIZES, MAXIMUM UV EXPOSURE, COMPATIBILITY CONCERNS, APPLICATION TEMPERATURES AND SERVICE TEMPERATURE LIMITATIONS.
4. CLADDING, INSULATION, AND OPTIONAL INTERIOR VAPOR BARRIER NOT SHOWN FOR CLARITY. REFER TO LOCAL CODE ORDINANCES FOR INSULATION AND VAPOR BARRIER REQUIREMENTS.
5. PERMANENTLY SECURE PIPE, LIGHTLY ABRASE AND CLEAN DUST/DEBRIS FROM PIPE PRIOR TO DETAILING.
6. SUBSTRATES MUST BE CLEAN AND DRY.
7. SELF-ADHERED MEMBRANES MAY REQUIRE A PRIMER FOR OPTIMAL ADHESION TO SOME SURFACES AND/OR SUBSTRATE TEMPERATURES. REFER TO PRODUCT SPECIFIC TECHNICAL DATA SHEET FOR PRIMER REQUIREMENTS.
8. ROLL SELF-ADHERED MEMBRANES TO OBTAIN CONTINUOUS ADHESION.
9. VERIFY WEATHER-RESISTIVE BARRIER IS FREE FROM PROTRUSIONS OR DAMAGE PRIOR TO CLADDING INSTALLATION.
10. CONTACT HENRY AT 800-773-4777 FOR TECHNICAL ASSISTANCE.

Henry

A CARLISLE COMPANY

999 N. Pacific Coast Highway, Suite 800
El Segundo, CA 90245
800-486-1278 • www.henry.com

**BLUESKIN VP100 SELF-ADHERED AIR BARRIER
PIPE PENETRATION**

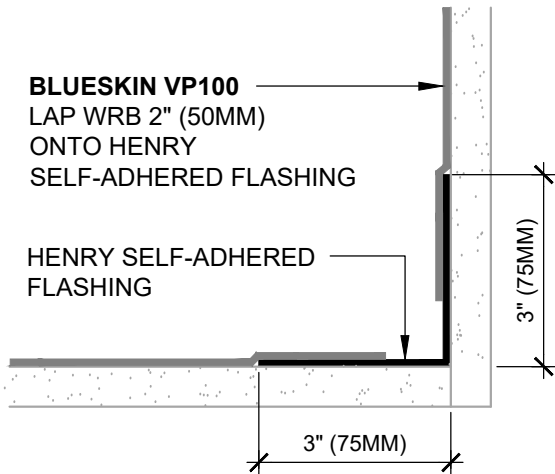
**SUBSTRATE GAPS UP TO 3/4" (20MM) WIDE GAP MAXIMUM
SELF-ADHERED FLASHING**

MANUFACTURER INSTALLATION GUIDELINES ARE FOR REFERENCE ONLY. HENRY DOES NOT ASSUME RESPONSIBILITY FOR ERRORS OR DEVIATIONS IN DESIGN OR ENGINEERING. PROJECT SPECIFIC VERIFICATION IS RECOMMENDED PRIOR TO INSTALLATION. DETAILS ARE NOT TO SCALE. REFER TO PRODUCT SPECIFIC TECHNICAL DATA SHEET FOR PRODUCT INFORMATION, RECOMMENDED AUXILIARY COMPONENTS AND INSTALLATION INSTRUCTIONS.

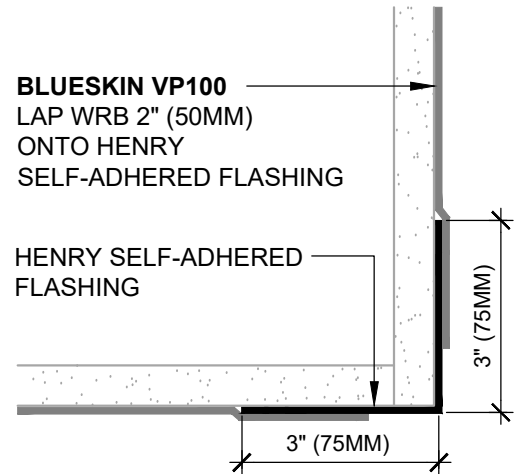
04-18-2022

PAGE 1 OF 1

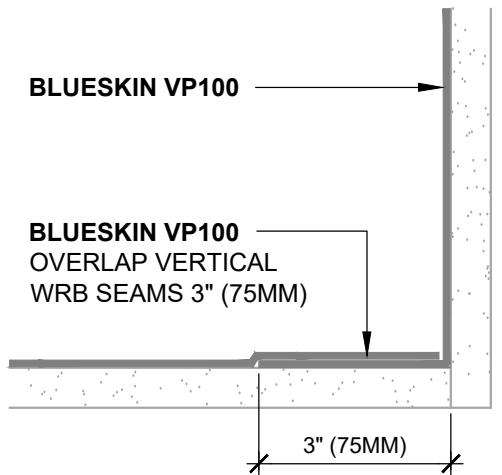
VPWRB-2B



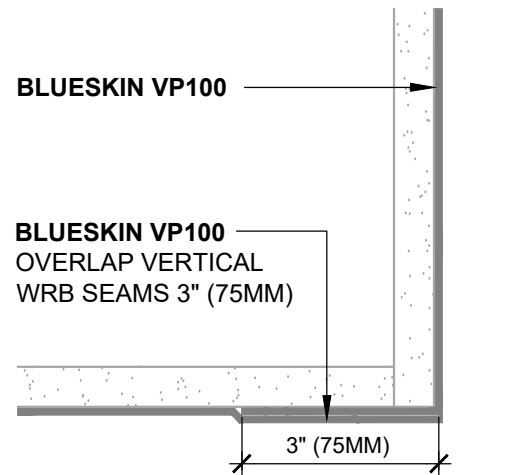
INSIDE CORNER (PLAN VIEW)
FLASHING INSTALLED BEFORE WRB



OUTSIDE CORNER (PLAN VIEW)
FLASHING INSTALLED BEFORE WRB



INSIDE CORNER (PLAN VIEW)
WRB WRAPPED AROUND CORNER



OUTSIDE CORNER (PLAN VIEW)
WRB WRAPPED AROUND CORNER



**HENRY 1-2-3 MOISTURE CONTROL SYSTEM
WEATHER-RESISTIVE BARRIER (WRB)
INSTALLATION GUIDELINES**

NOTES

1. VISIT WWW.HENRY.COM/WARRANTY FOR ELIGIBILITY REQUIREMENTS OF THE 15-YEAR RESIDENTIAL AND LIGHT COMMERCIAL HENRY 1-2-3 MOISTURE CONTROL SYSTEM WARRANTY.
2. HENRY OFFERS **BLUESKIN VP100** IN THE UNITED STATES AND CANADA. PRODUCT AVAILABILITY AND WARRANTY OPTIONS MAY VARY BY LOCATION. REFER TO THE HENRY **BLUESKIN VP100** GUIDE SPECIFICATION FOR RECOMMENDED FLASHINGS, SEALANTS, AND SYSTEM INFORMATION.
3. SEE PRODUCT SPECIFIC TECHNICAL DATA SHEET FOR ROLL SIZES, MAXIMUM UV EXPOSURE, COMPATIBILITY CONCERNS, APPLICATION TEMPERATURES AND SERVICE TEMPERATURE LIMITATIONS.
4. CLADDING, INSULATION, AND OPTIONAL INTERIOR VAPOR BARRIER NOT SHOWN FOR CLARITY. REFER TO LOCAL CODE ORDINANCES FOR INSULATION AND VAPOR BARRIER REQUIREMENTS.
5. SUBSTRATES MUST BE CLEAN AND DRY.
6. SELF-ADHERED MEMBRANES MAY REQUIRE A PRIMER FOR OPTIMAL ADHESION TO SOME SURFACES AND/OR SUBSTRATE TEMPERATURES. REFER TO PRODUCT SPECIFIC TECHNICAL DATA SHEET FOR PRIMER REQUIREMENTS.
7. ROLL SELF-ADHERED MEMBRANES TO OBTAIN CONTINUOUS ADHESION.
8. VERIFY WEATHER-RESISTIVE BARRIER IS FREE FROM PROTRUSIONS OR DAMAGE PRIOR TO CLADDING INSTALLATION.
9. CONTACT HENRY AT 800-773-4777 FOR TECHNICAL ASSISTANCE.



999 N. Pacific Coast Highway, Suite 800
El Segundo, CA 90245
800-486-1278 • www.henry.com

**BLUESKIN VP100 SELF-ADHERED AIR BARRIER
INSIDE AND OUTSIDE CORNERS**

**TYPICAL CORNER DETAILS - PLAN VIEW
SHEATHING JOINTS**

MANUFACTURER INSTALLATION GUIDELINES ARE FOR REFERENCE ONLY. HENRY DOES NOT ASSUME RESPONSIBILITY FOR ERRORS OR DEVIATIONS IN DESIGN OR ENGINEERING. PROJECT SPECIFIC VERIFICATION IS RECOMMENDED PRIOR TO INSTALLATION. DETAILS ARE NOT TO SCALE. REFER TO PRODUCT SPECIFIC TECHNICAL DATA SHEET FOR PRODUCT INFORMATION, RECOMMENDED AUXILIARY COMPONENTS AND INSTALLATION INSTRUCTIONS.

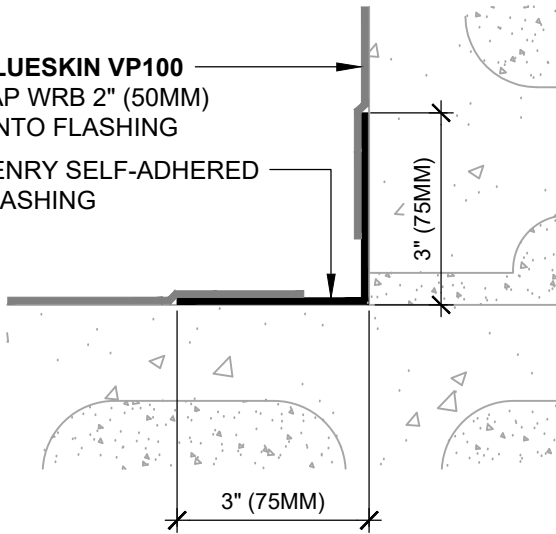
04-18-2022

PAGE 1 OF 1

VPWRB-3A

BLUESKIN VP100
LAP WRB 2" (50MM)
ONTO FLASHING

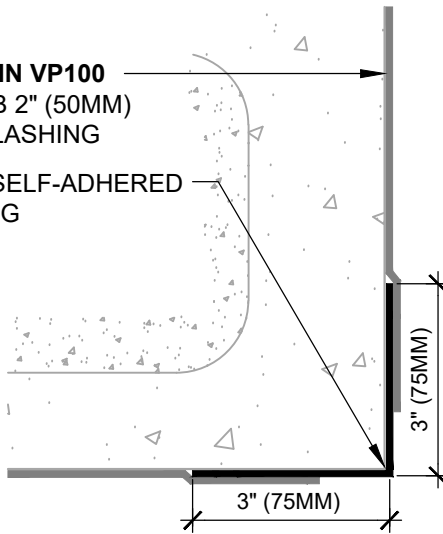
HENRY SELF-ADHERED
FLASHING



INSIDE CORNER (PLAN VIEW)
FLASHING INSTALLED BEFORE WRB

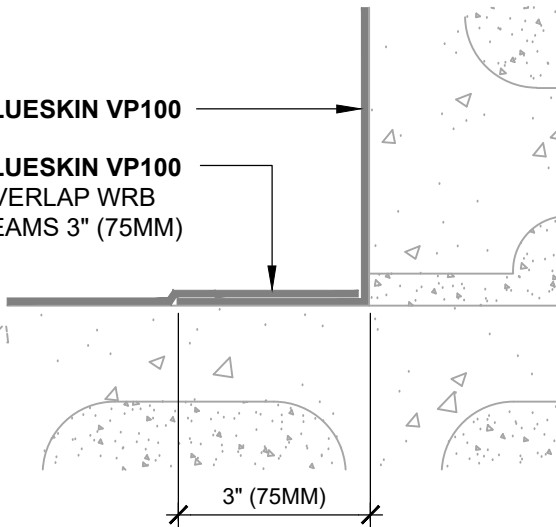
BLUESKIN VP100
LAP WRB 2" (50MM)
ONTO FLASHING

HENRY SELF-ADHERED
FLASHING



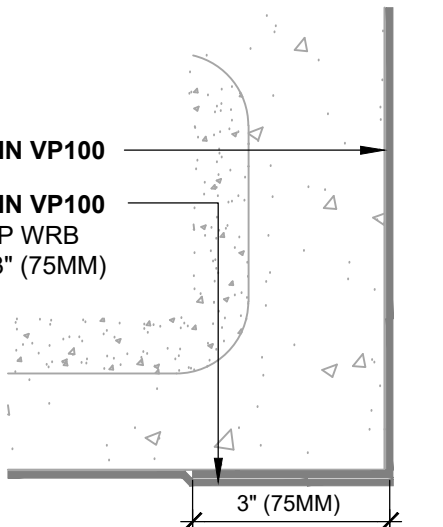
OUTSIDE CORNER (PLAN VIEW)
FLASHING INSTALLED BEFORE WRB

BLUESKIN VP100
BLUESKIN VP100
OVERLAP WRB
SEAMS 3" (75MM)



INSIDE CORNER (PLAN VIEW)
WRB WRAPPED AROUND CORNER

BLUESKIN VP100
BLUESKIN VP100
OVERLAP WRB
SEAMS 3" (75MM)



OUTSIDE CORNER (PLAN VIEW)
WRB WRAPPED AROUND CORNER



**HENRY 1-2-3 MOISTURE CONTROL SYSTEM
WEATHER-RESISTIVE BARRIER (WRB)
INSTALLATION GUIDELINES**

NOTES

1. VISIT WWW.HENRY.COM/WARRANTY FOR ELIGIBILITY REQUIREMENTS OF THE 15-YEAR RESIDENTIAL AND LIGHT COMMERCIAL HENRY 1-2-3 MOISTURE CONTROL SYSTEM WARRANTY.
2. HENRY OFFERS **BLUESKIN VP100** IN THE UNITED STATES AND CANADA. PRODUCT AVAILABILITY AND WARRANTY OPTIONS MAY VARY BY LOCATION. REFER TO THE HENRY **BLUESKIN VP100** GUIDE SPECIFICATION FOR RECOMMENDED FLASHINGS, SEALANTS, AND SYSTEM INFORMATION.
3. SEE PRODUCT SPECIFIC TECHNICAL DATA SHEET FOR ROLL SIZES, MAXIMUM UV EXPOSURE, COMPATIBILITY CONCERNS, APPLICATION TEMPERATURES AND SERVICE TEMPERATURE LIMITATIONS.
4. STRIKE CMU JOINTS FULL AND FLUSH TO CREATE A CONTINUOUS SUBSTRATE. PARTIAL OR SOLID GROUT CMU PRIOR TO WRB INSTALLATION AS SPECIFIED. REFER TO PRODUCT SPECIFIC TECHNICAL DATA SHEET FOR CURE TIME PRIOR TO WRB INSTALLATION.
5. SUBSTRATES MUST BE CLEAN AND DRY.
6. SELF-ADHERED MEMBRANES MAY REQUIRE A PRIMER FOR OPTIMAL ADHESION TO SOME SURFACES AND/OR SUBSTRATE TEMPERATURES. REFER TO PRODUCT SPECIFIC TECHNICAL DATA SHEET FOR PRIMER REQUIREMENTS.
7. ROLL SELF-ADHERED MEMBRANES TO OBTAIN CONTINUOUS ADHESION.
8. VERIFY WEATHER-RESISTIVE BARRIER IS FREE FROM PROTRUSIONS OR DAMAGE PRIOR TO CLADDING INSTALLATION.
9. CONTACT HENRY AT 800-773-4777 FOR TECHNICAL ASSISTANCE.



A CARLISLE COMPANY

999 N. Pacific Coast Highway, Suite 800
El Segundo, CA 90245
800-486-1278 • www.henry.com

**BLUESKIN VP100 SELF-ADHERED AIR BARRIER
INSIDE AND OUTSIDE CORNERS**

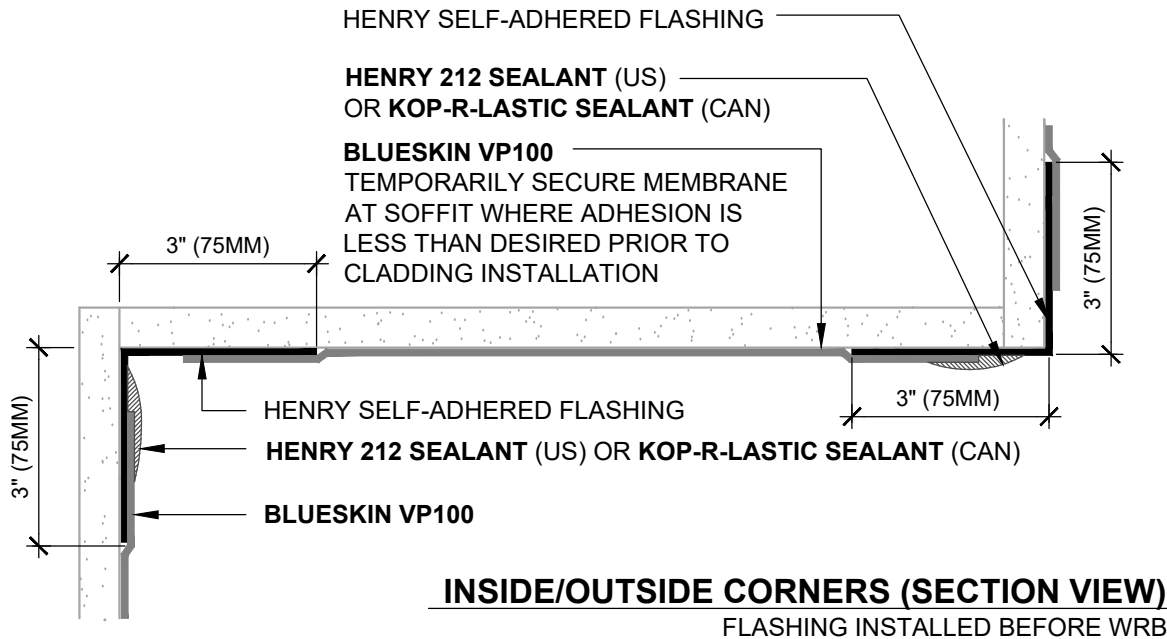
**CONCRETE MASONRY UNITS (CMU)
STRIKE MASONRY JOINTS FLUSH**

MANUFACTURER INSTALLATION GUIDELINES ARE FOR REFERENCE ONLY. HENRY DOES NOT ASSUME RESPONSIBILITY FOR ERRORS OR DEVIATIONS IN DESIGN OR ENGINEERING. PROJECT SPECIFIC VERIFICATION IS RECOMMENDED PRIOR TO INSTALLATION. DETAILS ARE NOT TO SCALE. REFER TO PRODUCT SPECIFIC TECHNICAL DATA SHEET FOR PRODUCT INFORMATION, RECOMMENDED AUXILIARY COMPONENTS AND INSTALLATION INSTRUCTIONS.

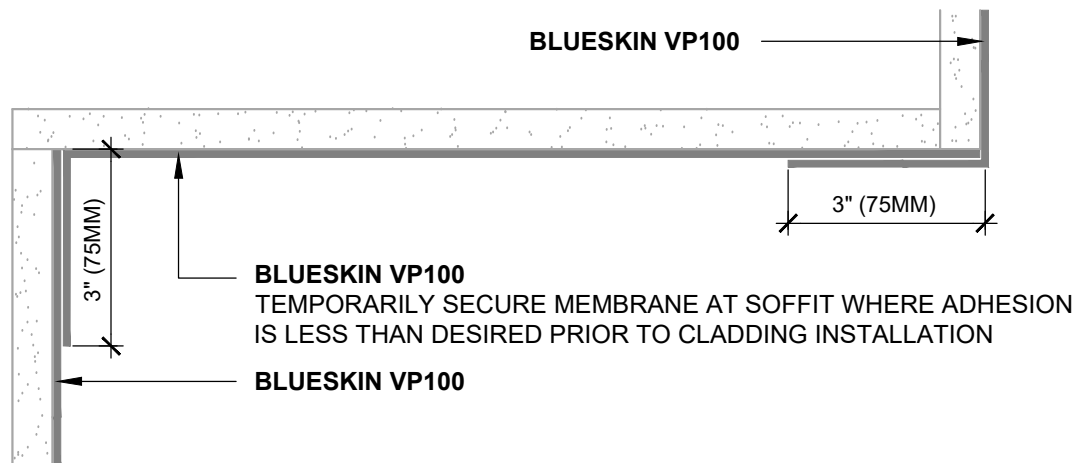
04-18-2022

PAGE 1 OF 1

VPWRB-3B



INSIDE/OUTSIDE CORNERS (SECTION VIEW)
FLASHING INSTALLED BEFORE WRB



INSIDE/OUTSIDE CORNERS (SECTION VIEW)
WRB WRAPPED AROUND CORNER



**HENRY 1-2-3 MOISTURE CONTROL SYSTEM
WEATHER-RESISTIVE BARRIER (WRB)
INSTALLATION GUIDELINES**

NOTES

1. VISIT WWW.HENRY.COM/WARRANTY FOR ELIGIBILITY REQUIREMENTS OF THE 15-YEAR RESIDENTIAL AND LIGHT COMMERCIAL HENRY 1-2-3 MOISTURE CONTROL SYSTEM WARRANTY.
2. HENRY OFFERS **BLUESKIN VP100** IN THE UNITED STATES AND CANADA. PRODUCT AVAILABILITY AND WARRANTY OPTIONS MAY VARY BY LOCATION. REFER TO THE HENRY **BLUESKIN VP100** GUIDE SPECIFICATION FOR RECOMMENDED FLASHINGS, SEALANTS, AND SYSTEM INFORMATION.
3. SEE PRODUCT SPECIFIC TECHNICAL DATA SHEET FOR ROLL SIZES, MAXIMUM UV EXPOSURE, COMPATIBILITY CONCERNS, APPLICATION TEMPERATURES AND SERVICE TEMPERATURE LIMITATIONS.
4. CLADDING, INSULATION, AND OPTIONAL INTERIOR VAPOR BARRIER NOT SHOWN FOR CLARITY. REFER TO LOCAL CODE ORDINANCES FOR INSULATION AND VAPOR BARRIER REQUIREMENTS.
5. SUBSTRATES MUST BE CLEAN AND DRY.
6. SELF-ADHERED MEMBRANES MAY REQUIRE A PRIMER FOR OPTIMAL ADHESION TO SOME SURFACES AND/OR SUBSTRATE TEMPERATURES. REFER TO PRODUCT SPECIFIC TECHNICAL DATA SHEET FOR PRIMER REQUIREMENTS.
7. ROLL SELF-ADHERED MEMBRANES TO OBTAIN CONTINUOUS ADHESION.
8. VERIFY WEATHER-RESISTIVE BARRIER IS FREE FROM PROTRUSIONS OR DAMAGE PRIOR TO CLADDING INSTALLATION.
9. CONTACT HENRY AT 800-773-4777 FOR TECHNICAL ASSISTANCE.



A CARLISLE COMPANY

999 N. Pacific Coast Highway, Suite 800
El Segundo, CA 90245
800-486-1278 • www.henry.com

**BLUESKIN VP100 SELF-ADHERED AIR BARRIER
TYPICAL SOFFIT**

**INSIDE AND OUTSIDE CORNERS - SECTION VIEW
SELF-ADHERED FLASHING**

MANUFACTURER INSTALLATION GUIDELINES ARE FOR REFERENCE ONLY. HENRY DOES NOT ASSUME RESPONSIBILITY FOR ERRORS OR DEVIATIONS IN DESIGN OR ENGINEERING. PROJECT SPECIFIC VERIFICATION IS RECOMMENDED PRIOR TO INSTALLATION. DETAILS ARE NOT TO SCALE. REFER TO PRODUCT SPECIFIC TECHNICAL DATA SHEET FOR PRODUCT INFORMATION, RECOMMENDED AUXILIARY COMPONENTS AND INSTALLATION INSTRUCTIONS.

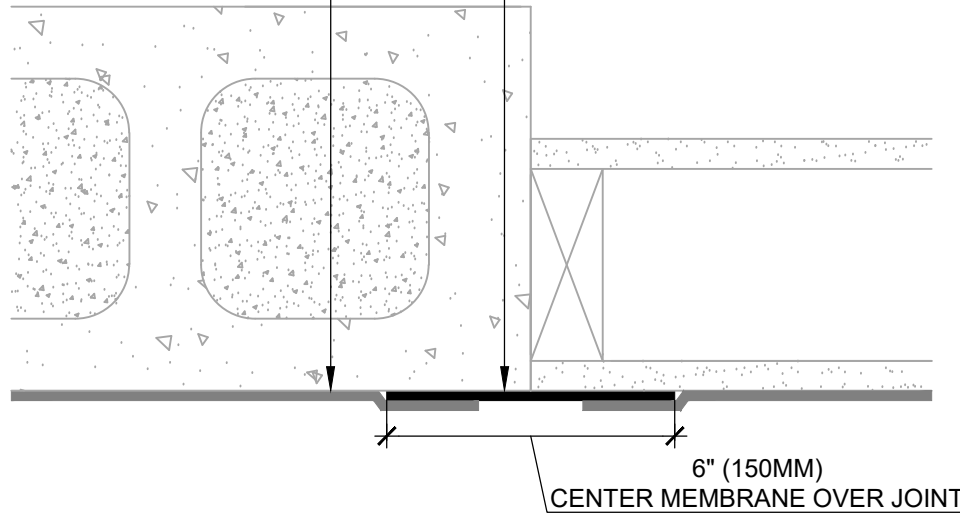
04-18-2022

PAGE 1 OF 1

VPWRB-3C

HENRY SELF-ADHERED FLASHING
OR **BLUESKIN VP100**

BLUESKIN VP100
LAP WRB 2" (50MM) ONTO FLASHING



NON-MOVING JOINT (PLAN VIEW)
CONTROL JOINT/SUBSTRATE TRANSITION



**HENRY 1-2-3 MOISTURE CONTROL SYSTEM
WEATHER-RESISTIVE BARRIER (WRB)
INSTALLATION GUIDELINES**

NOTES

1. VISIT WWW.HENRY.COM/WARRANTY FOR ELIGIBILITY REQUIREMENTS OF THE 15-YEAR RESIDENTIAL AND LIGHT COMMERCIAL HENRY 1-2-3 MOISTURE CONTROL SYSTEM WARRANTY.
2. HENRY OFFERS **BLUESKIN VP100** IN THE UNITED STATES AND CANADA. PRODUCT AVAILABILITY AND WARRANTY OPTIONS MAY VARY BY LOCATION. REFER TO THE HENRY **BLUESKIN VP100** GUIDE SPECIFICATION FOR RECOMMENDED FLASHINGS, SEALANTS, AND SYSTEM INFORMATION.
3. SEE PRODUCT SPECIFIC TECHNICAL DATA SHEET FOR ROLL SIZES, MAXIMUM UV EXPOSURE, COMPATIBILITY CONCERNS, APPLICATION TEMPERATURES AND SERVICE TEMPERATURE LIMITATIONS.
4. STRIKE CMU JOINTS FULL AND FLUSH TO CREATE A CONTINUOUS SUBSTRATE. PARTIAL OR SOLID GROUT CMU PRIOR TO WRB INSTALLATION AS SPECIFIED. REFER TO PRODUCT SPECIFIC TECHNICAL DATA SHEET FOR CURE TIME PRIOR TO WRB INSTALLATION.
5. SUBSTRATES MUST BE CLEAN AND DRY.
6. SELF-ADHERED MEMBRANES MAY REQUIRE A PRIMER FOR OPTIMAL ADHESION TO SOME SURFACES AND/OR SUBSTRATE TEMPERATURES. REFER TO PRODUCT SPECIFIC TECHNICAL DATA SHEET FOR PRIMER REQUIREMENTS.
7. ROLL SELF-ADHERED MEMBRANES TO OBTAIN CONTINUOUS ADHESION.
8. VERIFY WEATHER-RESISTIVE BARRIER IS FREE FROM PROTRUSIONS OR DAMAGE PRIOR TO CLADDING INSTALLATION.
9. CONTACT HENRY AT 800-773-4777 FOR TECHNICAL ASSISTANCE.

Henry
A CARLISLE COMPANY

999 N. Pacific Coast Highway, Suite 800
El Segundo, CA 90245
800-486-1278 • www.henry.com

**BLUESKIN VP100 SELF-ADHERED AIR BARRIER
SUBSTRATE TRANSITION**

**DISSIMILAR SUBSTRATE TRANSITIONS
SUBSTRATE GAPS UP TO 1/2" (10MM) MAXIMUM**

MANUFACTURER INSTALLATION GUIDELINES ARE FOR REFERENCE ONLY. HENRY DOES NOT ASSUME RESPONSIBILITY FOR ERRORS OR DEVIATIONS IN DESIGN OR ENGINEERING. PROJECT SPECIFIC VERIFICATION IS RECOMMENDED PRIOR TO INSTALLATION. DETAILS ARE NOT TO SCALE. REFER TO PRODUCT SPECIFIC TECHNICAL DATA SHEET FOR PRODUCT INFORMATION, RECOMMENDED AUXILIARY COMPONENTS AND INSTALLATION INSTRUCTIONS.

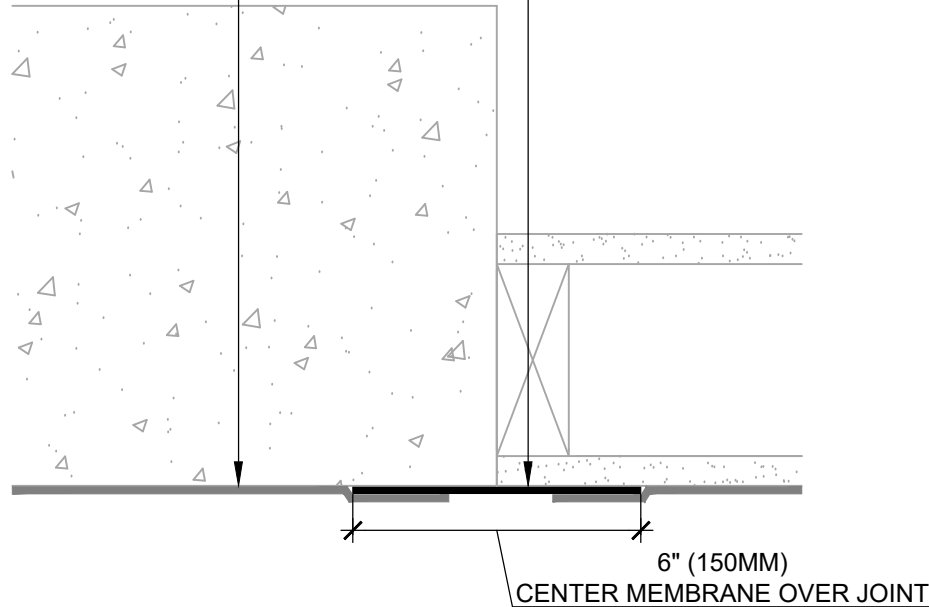
04-18-2022

PAGE 1 OF 1

VPWRB-4A

HENRY SELF-ADHERED FLASHING
OR **BLUESKIN VP100**

BLUESKIN VP100
LAP WRB 2" (50MM)
ONTO FLASHING



NON-MOVING JOINT (PLAN VIEW)
CONTROL JOINT/SUBSTRATE TRANSITION



**HENRY 1-2-3 MOISTURE CONTROL SYSTEM
WEATHER-RESISTIVE BARRIER (WRB)
INSTALLATION GUIDELINES**

NOTES

1. VISIT WWW.HENRY.COM/WARRANTY FOR ELIGIBILITY REQUIREMENTS OF THE 15-YEAR RESIDENTIAL AND LIGHT COMMERCIAL HENRY 1-2-3 MOISTURE CONTROL SYSTEM WARRANTY.
2. HENRY OFFERS **BLUESKIN VP100** IN THE UNITED STATES AND CANADA. PRODUCT AVAILABILITY AND WARRANTY OPTIONS MAY VARY BY LOCATION. REFER TO THE HENRY **BLUESKIN VP100** GUIDE SPECIFICATION FOR RECOMMENDED FLASHINGS, SEALANTS, AND SYSTEM INFORMATION.
3. SEE PRODUCT SPECIFIC TECHNICAL DATA SHEET FOR ROLL SIZES, MAXIMUM UV EXPOSURE, COMPATIBILITY CONCERNS, APPLICATION TEMPERATURES AND SERVICE TEMPERATURE LIMITATIONS.
4. CLADDING, INSULATION, AND OPTIONAL INTERIOR VAPOR BARRIER NOT SHOWN FOR CLARITY. REFER TO LOCAL CODE ORDINANCES FOR INSULATION AND VAPOR BARRIER REQUIREMENTS.
5. SUBSTRATES MUST BE CLEAN AND DRY.
6. SELF-ADHERED MEMBRANES MAY REQUIRE A PRIMER FOR OPTIMAL ADHESION TO SOME SURFACES AND/OR SUBSTRATE TEMPERATURES. REFER TO PRODUCT SPECIFIC TECHNICAL DATA SHEET FOR PRIMER REQUIREMENTS.
7. ROLL SELF-ADHERED MEMBRANES TO OBTAIN CONTINUOUS ADHESION.
8. VERIFY WEATHER-RESISTIVE BARRIER IS FREE FROM PROTRUSIONS OR DAMAGE PRIOR TO CLADDING INSTALLATION.
9. CONTACT HENRY AT 800-773-4777 FOR TECHNICAL ASSISTANCE.

Henry[®]

A CARLISLE COMPANY

999 N. Pacific Coast Highway, Suite 800
El Segundo, CA 90245
800-486-1278 • www.henry.com

**BLUESKIN VP100 SELF-ADHERED AIR BARRIER
SUBSTRATE TRANSITION**

**DISSIMILAR SUBSTRATE TRANSITIONS
SUBSTRATE GAPS UP TO 1/2" (10MM) MAXIMUM**

MANUFACTURER INSTALLATION GUIDELINES ARE FOR REFERENCE ONLY. HENRY DOES NOT ASSUME RESPONSIBILITY FOR ERRORS OR DEVIATIONS IN DESIGN OR ENGINEERING. PROJECT SPECIFIC VERIFICATION IS RECOMMENDED PRIOR TO INSTALLATION. DETAILS ARE NOT TO SCALE. REFER TO PRODUCT SPECIFIC TECHNICAL DATA SHEET FOR PRODUCT INFORMATION, RECOMMENDED AUXILIARY COMPONENTS AND INSTALLATION INSTRUCTIONS.

04-18-2022

PAGE 1 OF 1

VPWRB-4B

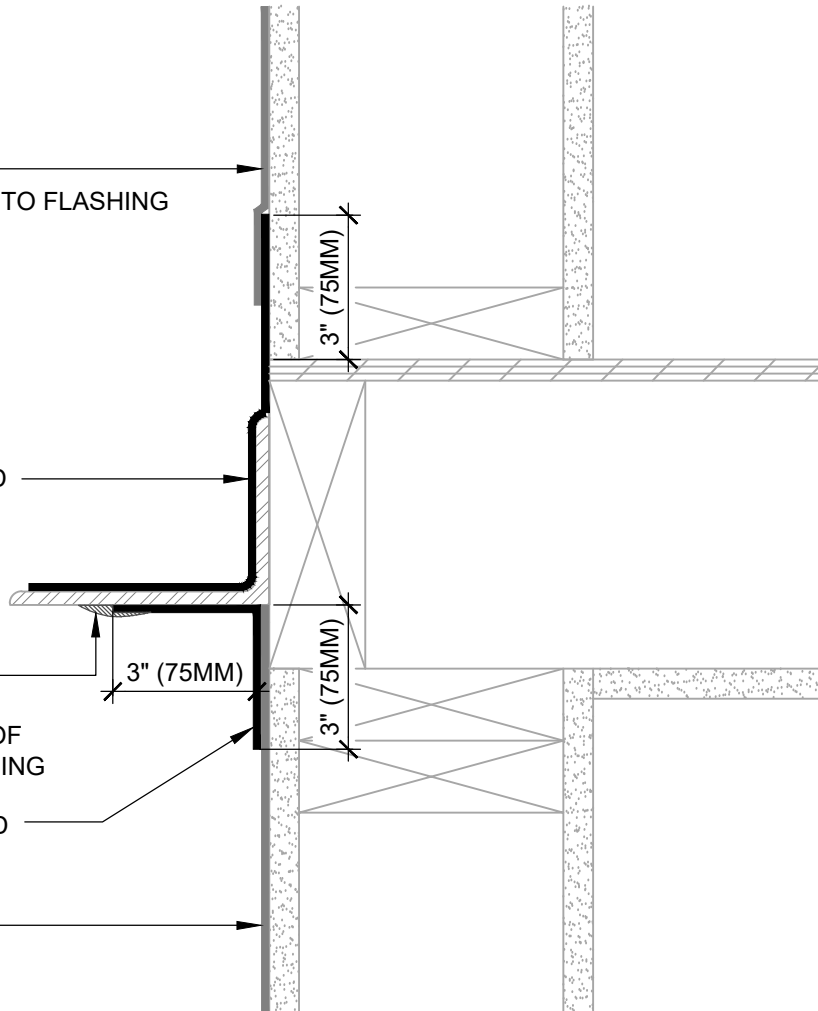
BLUESKIN VP100
LAP WRB 2" (50MM) ONTO FLASHING

HENRY SELF-ADHERED
FLASHING

MOISTOP SEALANT
OR **AIR-BLOC LF**
ENCAPSULATE EDGE OF
SELF-ADHERED FLASHING

HENRY SELF-ADHERED
FLASHING

BLUESKIN VP100



**HENRY 1-2-3 MOISTURE CONTROL SYSTEM
WEATHER-RESISTIVE BARRIER (WRB)
INSTALLATION GUIDELINES**

NOTES

1. VISIT WWW.HENRY.COM/WARRANTY FOR ELIGIBILITY REQUIREMENTS OF THE 15-YEAR RESIDENTIAL AND LIGHT COMMERCIAL HENRY 1-2-3 MOISTURE CONTROL SYSTEM WARRANTY.
2. HENRY OFFERS **BLUESKIN VP100** IN THE UNITED STATES AND CANADA. PRODUCT AVAILABILITY AND WARRANTY OPTIONS MAY VARY BY LOCATION. REFER TO THE HENRY **BLUESKIN VP100** GUIDE SPECIFICATION FOR RECOMMENDED FLASHINGS, SEALANTS, AND SYSTEM INFORMATION.
3. SEE PRODUCT SPECIFIC TECHNICAL DATA SHEET FOR ROLL SIZES, MAXIMUM UV EXPOSURE, COMPATIBILITY CONCERNS, APPLICATION TEMPERATURES AND SERVICE TEMPERATURE LIMITATIONS.
4. CLADDING, INSULATION, AND OPTIONAL INTERIOR VAPOR BARRIER NOT SHOWN FOR CLARITY. REFER TO LOCAL CODE ORDINANCES FOR INSULATION AND VAPOR BARRIER REQUIREMENTS.
5. SUBSTRATES MUST BE CLEAN AND DRY.
6. SELF-ADHERED MEMBRANES MAY REQUIRE A PRIMER FOR OPTIMAL ADHESION TO SOME SURFACES AND/OR SUBSTRATE TEMPERATURES. REFER TO PRODUCT SPECIFIC TECHNICAL DATA SHEET FOR PRIMER REQUIREMENTS.
7. ROLL SELF-ADHERED MEMBRANES TO OBTAIN CONTINUOUS ADHESION.
8. VERIFY WEATHER-RESISTIVE BARRIER IS FREE FROM PROTRUSIONS OR DAMAGE PRIOR TO CLADDING INSTALLATION.
9. CONTACT HENRY AT 800-773-4777 FOR TECHNICAL ASSISTANCE.



A CARLISLE COMPANY

999 N. Pacific Coast Highway, Suite 800
El Segundo, CA 90245
800-486-1278 • www.henry.com

**BLUESKIN VP100 SELF-ADHERED AIR BARRIER
SUBSTRATE TRANSITION**

**DISSIMILAR SUBSTRATE TRANSITIONS
CONTINUOUS LINTEL/STEEL ANGLE**

MANUFACTURER INSTALLATION GUIDELINES ARE FOR REFERENCE ONLY. HENRY DOES NOT ASSUME RESPONSIBILITY FOR ERRORS OR DEVIATIONS IN DESIGN OR ENGINEERING. PROJECT SPECIFIC VERIFICATION IS RECOMMENDED PRIOR TO INSTALLATION. DETAILS ARE NOT TO SCALE. REFER TO PRODUCT SPECIFIC TECHNICAL DATA SHEET FOR PRODUCT INFORMATION, RECOMMENDED AUXILIARY COMPONENTS AND INSTALLATION INSTRUCTIONS.

04-18-2022

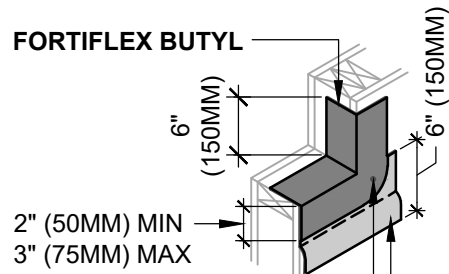
PAGE 1 OF 1

VPWRB-5A

THE DEPICTED DETAIL SHOWS ONE OF THE SEVERAL COMMONLY ACCEPTED METHODS OF WINDOW INSTALLATION.



**HENRY 1-2-3 MOISTURE CONTROL SYSTEM
WEATHER-RESISTIVE BARRIER (WRB)
INSTALLATION GUIDELINES**



FORTIFLEX BUTYL
FASTEN CORNER FLASHING AS REQUIRED TO MAINTAIN CONTINUOUS ATTACHMENT
HENRY SELF-ADHERED FLASHING (LEAVE BOTTOM OF RELEASE PAPER INTACT TO PROTECT ADHESIVE FROM DIRT AND DEBRIS)

1

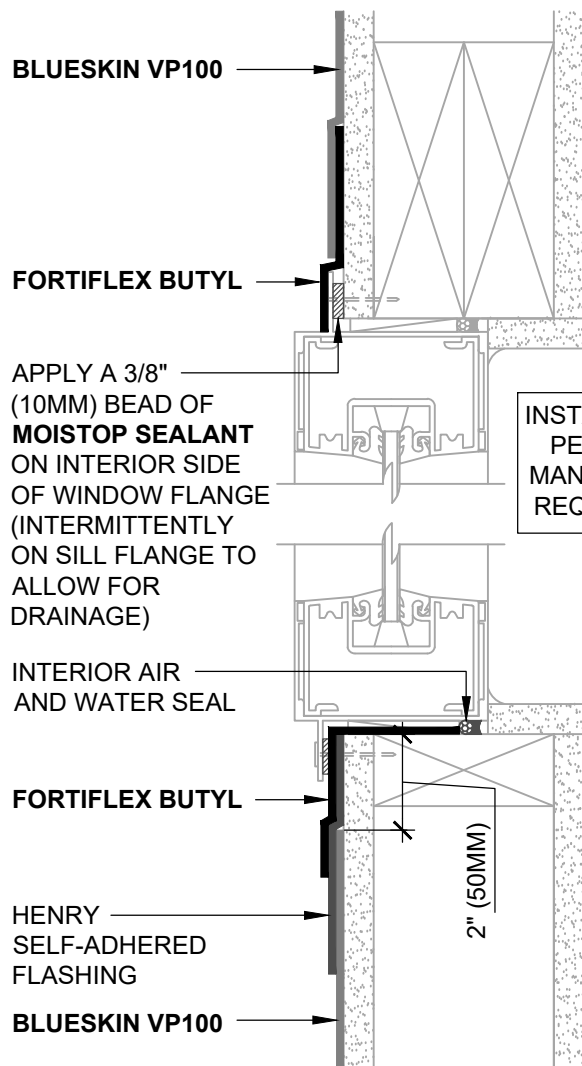
INSTALL HENRY SELF-ADHERED OR HENRY LIQUID APPLIED FLASHING OVER WINDOW JAMB FLANGE

2

BLUESKIN VP100
TUCK WRB UNDER LOOSE FLASHING AND SECURE PER PRODUCT SPECIFIC INSTRUCTIONS

3

WINDOW FLASHING
ISOMETRIC VIEW



BLUESKIN VP100

FORTIFLEX BUTYL

APPLY A 3/8" (10MM) BEAD OF **MOISTOP SEALANT** ON INTERIOR SIDE OF WINDOW FLANGE (INTERMITTENTLY ON SILL FLANGE TO ALLOW FOR DRAINAGE)

INTERIOR AIR AND WATER SEAL

FORTIFLEX BUTYL

HENRY SELF-ADHERED FLASHING

BLUESKIN VP100

ASTM E2112 - METHOD A
SECTION VIEW

NOTES

1. VISIT WWW.HENRY.COM/WARRANTY FOR ELIGIBILITY REQUIREMENTS OF THE 15-YEAR RESIDENTIAL AND LIGHT COMMERCIAL HENRY 1-2-3 MOISTURE CONTROL SYSTEM WARRANTY.
2. HENRY OFFERS **BLUESKIN VP100** IN THE UNITED STATES AND CANADA. PRODUCT AVAILABILITY AND WARRANTY OPTIONS MAY VARY BY LOCATION. REFER TO THE HENRY **BLUESKIN VP100** GUIDE SPECIFICATION FOR RECOMMENDED FLASHINGS, SEALANTS, AND SYSTEM INFORMATION.
3. INSTALLATION "METHOD A" REFERS TO COMMON WINDOWS (SURFACE MOUNTED). INSTALL WINDOW PER WINDOW MANUFACTURER REQUIREMENTS.
4. PROVIDE INTERIOR AIR AND WATER SEAL AT WINDOW PERIMETER PER WINDOW MANUFACTURER RECOMMENDATIONS.
5. SEE PRODUCT SPECIFIC TECHNICAL DATA SHEET FOR ROLL SIZES, MAXIMUM UV EXPOSURE, COMPATIBILITY CONCERNS, APPLICATION TEMPERATURES AND SERVICE TEMPERATURE LIMITATIONS.
6. CLADDING, INSULATION, AND OPTIONAL VAPOR BARRIER NOT SHOWN FOR CLARITY. REFER TO LOCAL CODE ORDINANCES FOR INSULATION AND VAPOR BARRIER REQUIREMENTS.
7. SUBSTRATES MUST BE CLEAN AND DRY.
8. SELF-ADHERED MEMBRANES MAY REQUIRE A PRIMER FOR OPTIMAL ADHESION TO SOME SURFACES AND/OR SUBSTRATE TEMPERATURES. REFER TO PRODUCT SPECIFIC TECHNICAL DATA SHEET FOR PRIMER REQUIREMENTS.
9. VERIFY WEATHER-RESISTIVE BARRIER IS FREE FROM PROTRUSIONS OR DAMAGE PRIOR TO CLADDING INSTALLATION.
10. CONTACT HENRY AT 800-773-4777 FOR TECHNICAL ASSISTANCE.



A CARLISLE COMPANY

999 N. Pacific Coast Highway, Suite 800
El Segundo, CA 90245
800-486-1278 • www.henry.com

**BLUESKIN VP100 SELF-ADHERED AIR BARRIER
FLANGED WINDOW - METHOD A**

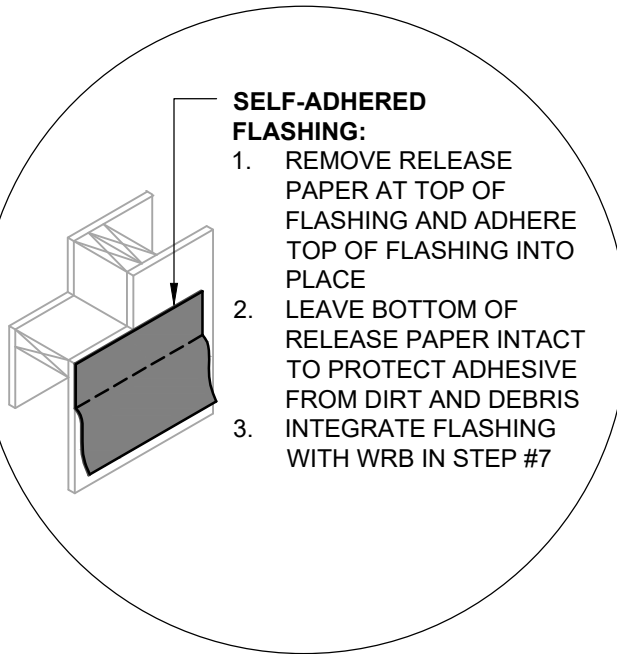
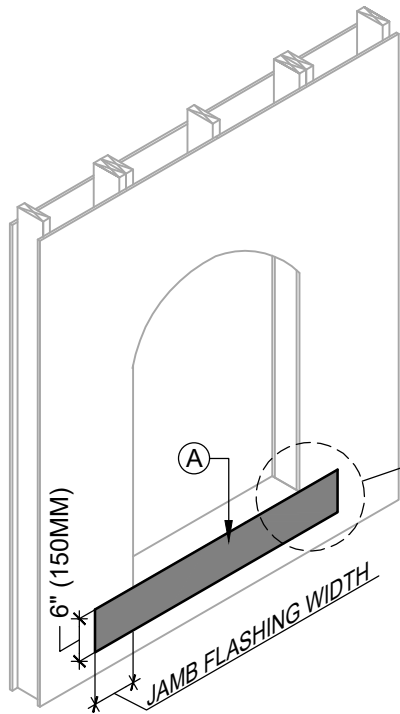
**FORTIFLEX BUTYL
FLASHING INSTALLED BEFORE WRB**

MANUFACTURER INSTALLATION GUIDELINES ARE FOR REFERENCE ONLY. HENRY DOES NOT ASSUME RESPONSIBILITY FOR ERRORS OR DEVIATIONS IN DESIGN OR ENGINEERING. PROJECT SPECIFIC VERIFICATION IS RECOMMENDED PRIOR TO INSTALLATION. DETAILS ARE NOT TO SCALE. REFER TO PRODUCT SPECIFIC TECHNICAL DATA SHEET FOR PRODUCT INFORMATION, RECOMMENDED AUXILIARY COMPONENTS AND INSTALLATION INSTRUCTIONS.

04-18-2022

PAGE 1 OF 1

VPWRB-6A-F1



SELF-ADHERED FLASHING:

1. REMOVE RELEASE PAPER AT TOP OF FLASHING AND ADHERE TOP OF FLASHING INTO PLACE
2. LEAVE BOTTOM OF RELEASE PAPER INTACT TO PROTECT ADHESIVE FROM DIRT AND DEBRIS
3. INTEGRATE FLASHING WITH WRB IN STEP #7

FIRMLY ROLL FLASHING ONTO SURFACE

6" (150MM) MIN
2" (50MM) MIN,
3" (75MM) MAX

FASTEN CORNER FLASHING AS NEEDED

1 SILL FLASHING PREPARATION

2 SILL FLASHING INSTALLATION

Henry RESIDENTIAL AND LIGHT COMMERCIAL WEATHER-RESISTIVE BARRIER ASSEMBLY



HENRY 1-2-3 MOISTURE CONTROL SYSTEM WEATHER-RESISTIVE BARRIER (WRB) INSTALLATION GUIDELINES

WEATHER-RESISTIVE BARRIER (WRB) COMPONENTS

- (A) HENRY SELF-ADHERED FLASHING
- (B) FORTIFLEX BUTYL
- (C) HENRY MOISTOP SEALANT
- (D) HENRY SELF-ADHERED OR HENRY LIQUID APPLIED FLASHING
- (E) BLUESKIN VP100

NOTES

1. THE DEPICTED DETAIL SHOWS ONE OF THE SEVERAL COMMONLY ACCEPTED METHODS OF WINDOW INSTALLATION.
2. VISIT WWW.HENRY.COM/WARRANTY FOR ELIGIBILITY REQUIREMENTS OF THE 15-YEAR RESIDENTIAL AND LIGHT COMMERCIAL HENRY 1-2-3 MOISTURE CONTROL SYSTEM WARRANTY.
3. HENRY OFFERS **BLUESKIN VP100** IN THE UNITED STATES AND CANADA. PRODUCT AVAILABILITY AND WARRANTY OPTIONS MAY VARY BY LOCATION. REFER TO THE HENRY **BLUESKIN VP100** GUIDE SPECIFICATION FOR RECOMMENDED FLASHINGS, SEALANTS, AND SYSTEM INFORMATION.



999 N. Pacific Coast Highway, Suite 800
El Segundo, CA 90245
800-486-1278 • www.henry.com

**BLUESKIN VP100 SELF-ADHERED AIR BARRIER
FLANGED WINDOW - METHOD A
FORTIFLEX BUTYL
FLASHING INSTALLED BEFORE WRB - SEQUENCE INSTALLATION**

MANUFACTURER INSTALLATION GUIDELINES ARE FOR REFERENCE ONLY. HENRY DOES NOT ASSUME RESPONSIBILITY FOR ERRORS OR DEVIATIONS IN DESIGN OR ENGINEERING. PROJECT SPECIFIC VERIFICATION IS RECOMMENDED PRIOR TO INSTALLATION. DETAILS ARE NOT TO SCALE. REFER TO PRODUCT SPECIFIC TECHNICAL DATA SHEET FOR PRODUCT INFORMATION, RECOMMENDED AUXILIARY COMPONENTS AND INSTALLATION INSTRUCTIONS.

04-18-2022

PAGE 1 OF 2

VPWRB-6A-F2

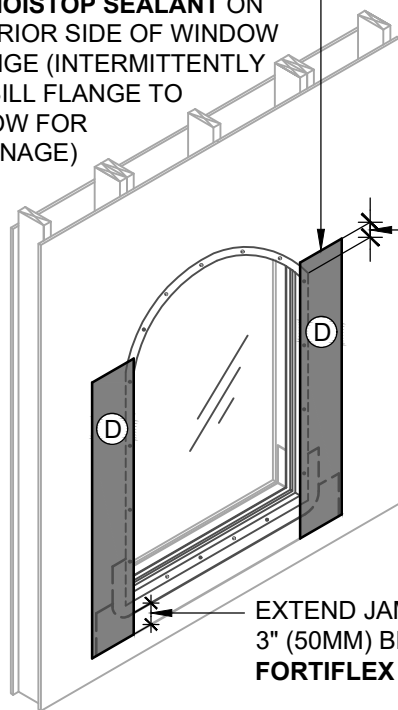
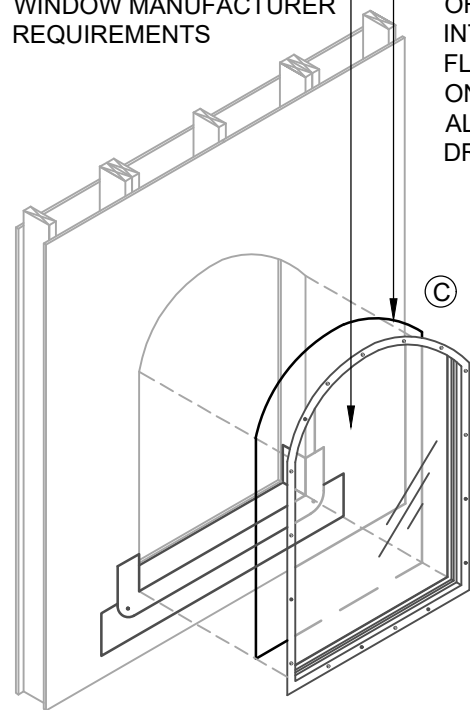
INSTALL WINDOW PER WINDOW MANUFACTURER REQUIREMENTS

APPLY A 3/8" (10MM) BEAD OF **MOISTOP SEALANT** ON INTERIOR SIDE OF WINDOW FLANGE (INTERMITTENTLY ON SILL FLANGE TO ALLOW FOR DRAINAGE)

INSTALL HENRY JAMB FLASHING OVER WINDOW JAMB FLANGE

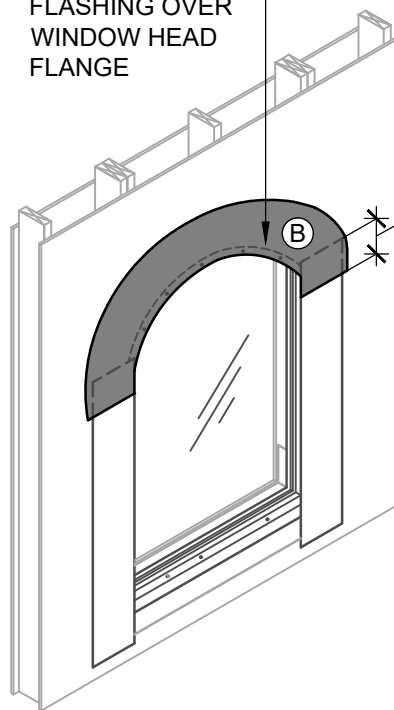
INSTALL HENRY FLASHING OVER WINDOW HEAD FLANGE

INSTALL WRB OVER JAMB AND HEAD FLASHING PER PRODUCT INSTALLATION INSTRUCTIONS



INSTALL JAMB FLASHING 2" (50MM) ABOVE WINDOW FRAME

EXTEND JAMB FLASHING 3" (50MM) BEYOND FORTIFLEX BUTYL



4" (100MM)

TUCK WRB UNDER LOOSE FLASHING AND SECURE PER PRODUCT SPECIFIC INSTRUCTIONS

4 WINDOW INSTALLATION

5 JAMB FLASHING INSTALLATION

6 HEADER FLASHING INSTALLATION

7 WEATHER-RESISTIVE BARRIER (WRB)

INSTALLATION GUIDELINES AND LIMITATIONS

1. INSTALLATION "METHOD A" REFERS TO COMMON WINDOWS (SURFACE MOUNTED). INSTALL WINDOW PER WINDOW MANUFACTURER REQUIREMENTS.
2. AS A BEST PRACTICE, SLOPE SILL PRIOR TO FLASHING INSTALLATION TO PROMOTE POSITIVE DRAINAGE. USE BACKDAM IN LIEU OF SHIM AS REQUIRED.
3. SEE PRODUCT SPECIFIC TECHNICAL DATA SHEET FOR ROLL SIZES, MAXIMUM UV EXPOSURE, COMPATIBILITY CONCERNS, APPLICATION TEMPERATURES AND SERVICE TEMPERATURE LIMITATIONS.
4. REFER TO THE HENRY **BLUESKIN VP100** GUIDE SPECIFICATION FOR RECOMMENDED FLASHINGS.
5. FLASHINGS MAY NOT BE COMPATIBLE WITH ALL SEALANTS. USE SEALANTS AS INDICATED OR VERIFY COMPATIBILITY AS DIRECTED IN AAMA 713.
6. PROVIDE INTERIOR AIR AND WATER SEAL AT WINDOW PERIMETER PER WINDOW MANUFACTURER RECOMMENDATIONS.
7. SUBSTRATES MUST BE CLEAN AND DRY.
8. SELF-ADHERED MEMBRANES MAY REQUIRE A PRIMER FOR OPTIMAL ADHESION TO SOME SURFACES AND/OR SUBSTRATE TEMPERATURES.
9. ROLL SELF-ADHERED MEMBRANES TO OBTAIN CONTINUOUS ADHESION.
10. VERIFY WEATHER-RESISTIVE BARRIER IS FREE FROM PROTRUSIONS OR DAMAGE PRIOR TO CLADDING INSTALLATION.
11. CONTACT HENRY AT 800-773-4777 FOR TECHNICAL ASSISTANCE.

Henry
A CARLISLE COMPANY

999 N. Pacific Coast Highway, Suite 800
El Segundo, CA 90245
800-486-1278 • www.henry.com

BLUESKIN VP100 SELF-ADHERED AIR BARRIER
FLANGED WINDOW - METHOD A
FORTIFLEX BUTYL
FLASHING INSTALLED BEFORE WRB - SEQUENCE INSTALLATION

MANUFACTURER INSTALLATION GUIDELINES ARE FOR REFERENCE ONLY. HENRY DOES NOT ASSUME RESPONSIBILITY FOR ERRORS OR DEVIATIONS IN DESIGN OR ENGINEERING. PROJECT SPECIFIC VERIFICATION IS RECOMMENDED PRIOR TO INSTALLATION. DETAILS ARE NOT TO SCALE. REFER TO PRODUCT SPECIFIC TECHNICAL DATA SHEET FOR PRODUCT INFORMATION, RECOMMENDED AUXILIARY COMPONENTS AND INSTALLATION INSTRUCTIONS.

04-18-2022

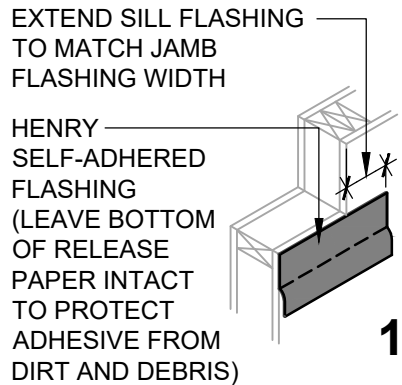
PAGE 2 OF 2

VPWRB-6A-F2

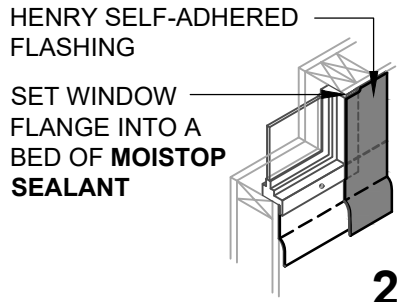
THE DEPICTED DETAIL SHOWS ONE OF THE SEVERAL COMMONLY ACCEPTED METHODS OF WINDOW INSTALLATION.



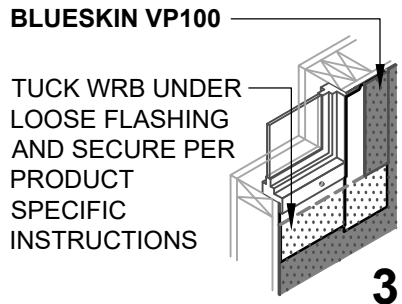
**HENRY 1-2-3 MOISTURE CONTROL SYSTEM
WEATHER-RESISTIVE BARRIER (WRB)
INSTALLATION GUIDELINES**



1



2



3

WINDOW FLASHING
ISOMETRIC VIEW

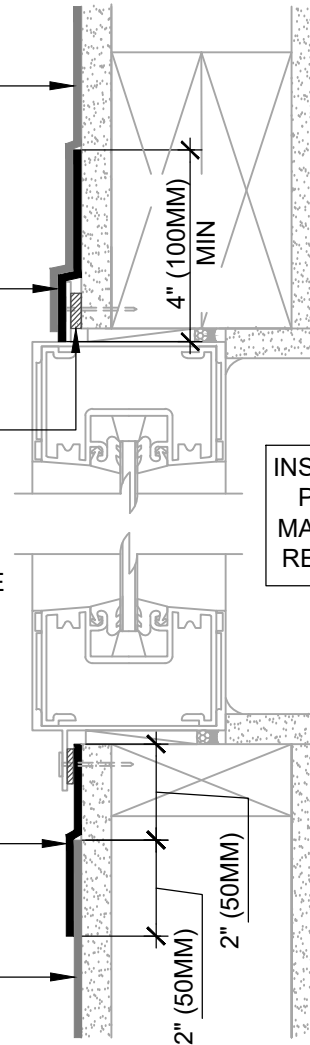
BLUESKIN VP100

HENRY SELF-ADHERED OR HENRY LIQUID APPLIED FLASHING

APPLY A CONTINUOUS 3/8" (10MM) BEAD OF **MOISTOP SEALANT** ON INTERIOR SIDE OF WINDOW FLANGE

HENRY SELF-ADHERED FLASHING

BLUESKIN VP100



INSTALL WINDOW PER WINDOW MANUFACTURER REQUIREMENTS

ASTM E2112 - METHOD A
SECTION VIEW

NOTES

1. VISIT WWW.HENRY.COM/WARRANTY FOR ELIGIBILITY REQUIREMENTS OF THE 15-YEAR RESIDENTIAL AND LIGHT COMMERCIAL HENRY 1-2-3 MOISTURE CONTROL SYSTEM WARRANTY.
2. HENRY OFFERS **BLUESKIN VP100** IN THE UNITED STATES AND CANADA. PRODUCT AVAILABILITY AND WARRANTY OPTIONS MAY VARY BY LOCATION. REFER TO THE HENRY **BLUESKIN VP100** GUIDE SPECIFICATION FOR RECOMMENDED FLASHINGS, SEALANTS, AND SYSTEM INFORMATION.
3. INSTALLATION "METHOD A" REFERS TO COMMON WINDOWS (SURFACE MOUNTED). INSTALL WINDOW PER WINDOW MANUFACTURER REQUIREMENTS.
4. INSTALLATIONS WITHOUT A DRAINAGE SILL PAN ARE LIMITED TO LOW WIND AND WATER EXPOSURE CONDITIONS.
5. SEE PRODUCT SPECIFIC TECHNICAL DATA SHEET FOR ROLL SIZES, MAXIMUM UV EXPOSURE, COMPATIBILITY CONCERNS, APPLICATION TEMPERATURES AND SERVICE TEMPERATURE LIMITATIONS.
6. CLADDING, INSULATION, AND OPTIONAL INTERIOR VAPOR BARRIER NOT SHOWN FOR CLARITY. REFER TO LOCAL CODE ORDINANCES FOR INSULATION AND VAPOR BARRIER REQUIREMENTS.
7. SUBSTRATES MUST BE CLEAN AND DRY.
8. SELF-ADHERED MEMBRANES MAY REQUIRE A PRIMER FOR OPTIMAL ADHESION TO SOME SURFACES AND/OR SUBSTRATE TEMPERATURES. REFER TO PRODUCT SPECIFIC TECHNICAL DATA SHEET FOR PRIMER REQUIREMENTS.
9. VERIFY WEATHER-RESISTIVE BARRIER IS FREE FROM PROTRUSIONS OR DAMAGE PRIOR TO CLADDING INSTALLATION.
10. CONTACT HENRY AT 800-773-4777 FOR TECHNICAL ASSISTANCE.



A CARLISLE COMPANY

999 N. Pacific Coast Highway, Suite 800
El Segundo, CA 90245
800-486-1278 • www.henry.com

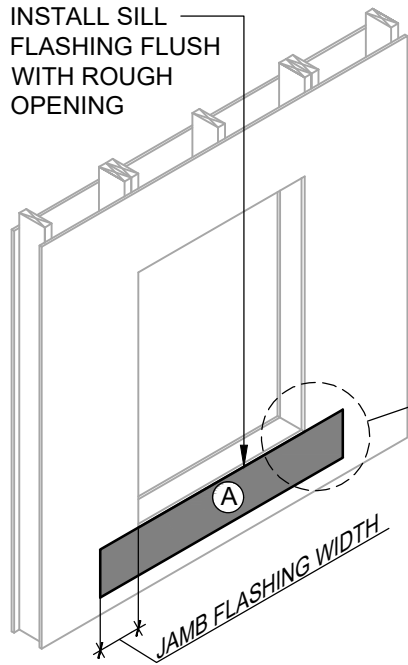
**BLUESKIN VP100 SELF-ADHERED AIR BARRIER
FLANGED WINDOW - METHOD A
WINDOW INSTALLATION FOR LOW WIND AND WATER EXPOSURE
FLASHING INSTALLED BEFORE WRB**

MANUFACTURER INSTALLATION GUIDELINES ARE FOR REFERENCE ONLY. HENRY DOES NOT ASSUME RESPONSIBILITY FOR ERRORS OR DEVIATIONS IN DESIGN OR ENGINEERING. PROJECT SPECIFIC VERIFICATION IS RECOMMENDED PRIOR TO INSTALLATION. DETAILS ARE NOT TO SCALE. REFER TO PRODUCT SPECIFIC TECHNICAL DATA SHEET FOR PRODUCT INFORMATION, RECOMMENDED AUXILIARY COMPONENTS AND INSTALLATION INSTRUCTIONS.

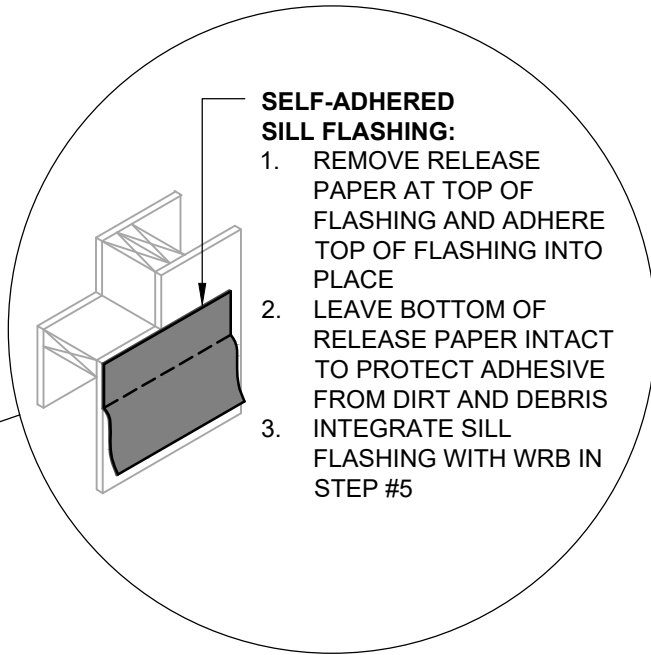
04-18-2022

PAGE 1 OF 1

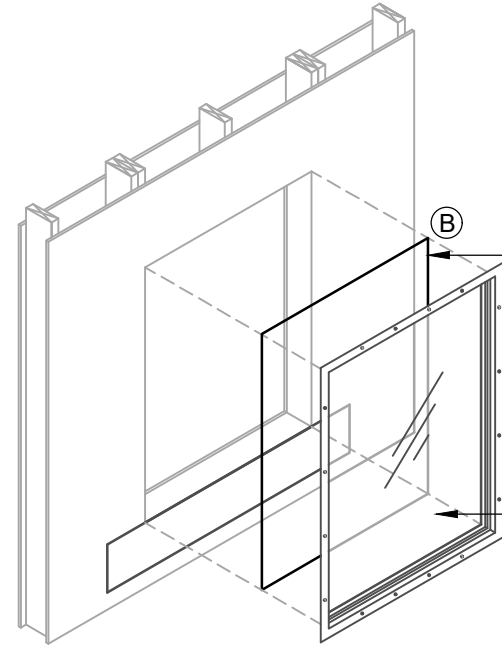
VPWRB-6A-L1



1 SILL FLASHING INSTALLATION



- SELF-ADHERED SILL FLASHING:**
1. REMOVE RELEASE PAPER AT TOP OF FLASHING AND ADHERE TOP OF FLASHING INTO PLACE
 2. LEAVE BOTTOM OF RELEASE PAPER INTACT TO PROTECT ADHESIVE FROM DIRT AND DEBRIS
 3. INTEGRATE SILL FLASHING WITH WRB IN STEP #5



2 WINDOW INSTALLATION

APPLY A CONTINUOUS 3/8" (10MM) BEAD OF **MOISTOP SEALANT** ON INTERIOR SIDE OF WINDOW FLANGE

INSTALL WINDOW PER WINDOW MANUFACTURER REQUIREMENTS

Henry RESIDENTIAL AND LIGHT COMMERCIAL WEATHER-RESISTIVE BARRIER ASSEMBLY



HENRY 1-2-3 MOISTURE CONTROL SYSTEM WEATHER-RESISTIVE BARRIER (WRB) INSTALLATION GUIDELINES

NOTES

1. THE DEPICTED DETAIL SHOWS ONE OF THE SEVERAL COMMONLY ACCEPTED METHODS OF WINDOW INSTALLATION.
2. VISIT WWW.HENRY.COM/WARRANTY FOR ELIGIBILITY REQUIREMENTS OF THE 15-YEAR RESIDENTIAL AND LIGHT COMMERCIAL HENRY 1-2-3 MOISTURE CONTROL SYSTEM WARRANTY.
3. HENRY OFFERS **BLUESKIN VP100** IN THE UNITED STATES AND CANADA. PRODUCT AVAILABILITY AND WARRANTY OPTIONS MAY VARY BY LOCATION. REFER TO THE HENRY **BLUESKIN VP100** GUIDE SPECIFICATION FOR RECOMMENDED FLASHINGS, SEALANTS, AND SYSTEM INFORMATION.

WEATHER-RESISTIVE BARRIER (WRB) COMPONENTS

- (A) HENRY SELF-ADHERED FLASHING
- (B) HENRY MOISTOP SEALANT
- (C) HENRY SELF-ADHERED OR HENRY LIQUID APPLIED FLASHING
- (D) BLUESKIN VP100



999 N. Pacific Coast Highway, Suite 800
El Segundo, CA 90245
800-486-1278 • www.henry.com

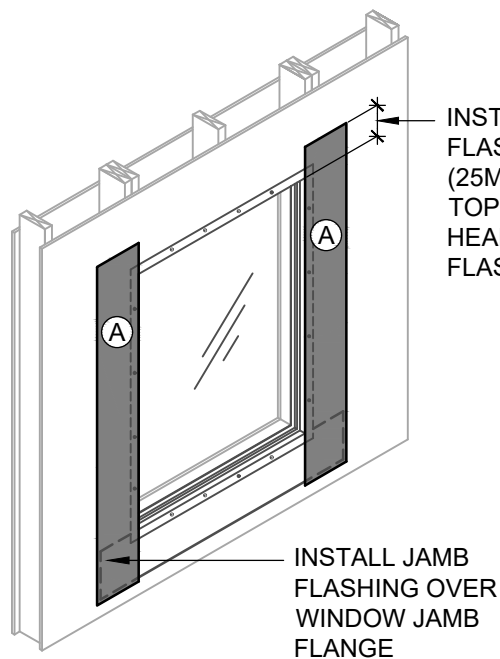
**BLUESKIN VP100 SELF-ADHERED AIR BARRIER
FLANGED WINDOW - METHOD A
WINDOW INSTALLATION FOR LOW WIND AND WATER EXPOSURE
FLASHING INSTALLED BEFORE WRB - INSTALLATION SEQUENCE**

MANUFACTURER INSTALLATION GUIDELINES ARE FOR REFERENCE ONLY. HENRY DOES NOT ASSUME RESPONSIBILITY FOR ERRORS OR DEVIATIONS IN DESIGN OR ENGINEERING. PROJECT SPECIFIC VERIFICATION IS RECOMMENDED PRIOR TO INSTALLATION. DETAILS ARE NOT TO SCALE. REFER TO PRODUCT SPECIFIC TECHNICAL DATA SHEET FOR PRODUCT INFORMATION, RECOMMENDED AUXILIARY COMPONENTS AND INSTALLATION INSTRUCTIONS.

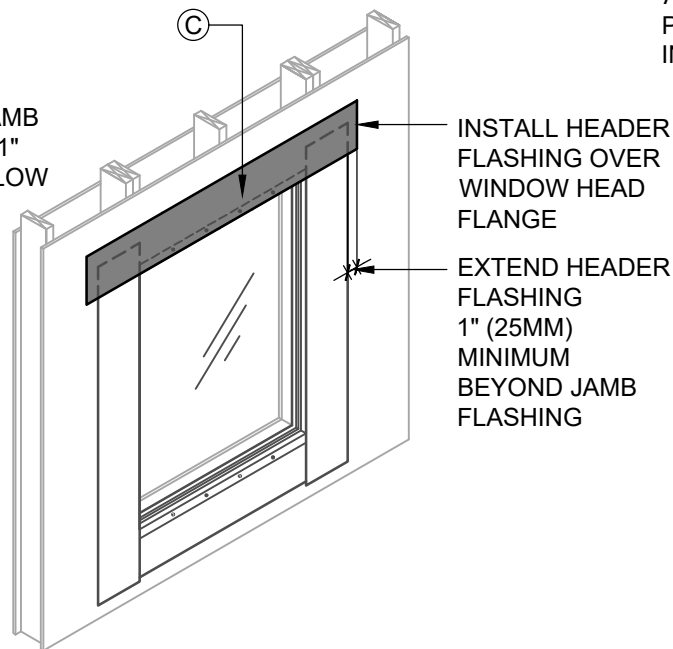
04-18-2022

PAGE 1 OF 2

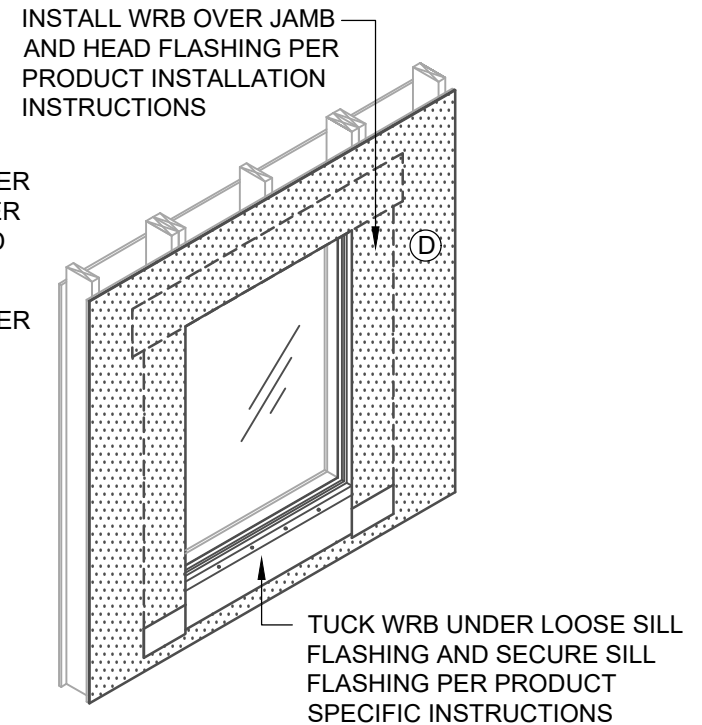
VPWRB-6A-L2



3 JAMB FLASHING INSTALLATION



4 HEADER FLASHING INSTALLATION



5 WEATHER-RESISTIVE BARRIER (WRB)

INSTALLATION GUIDELINES AND LIMITATIONS

1. INSTALLATION "METHOD A" REFERS TO COMMON WINDOWS (SURFACE MOUNTED). INSTALL WINDOW PER WINDOW MANUFACTURER REQUIREMENTS.
2. SEE PRODUCT SPECIFIC TECHNICAL DATA SHEET FOR ROLL SIZES, MAXIMUM UV EXPOSURE, COMPATIBILITY CONCERNS, APPLICATION TEMPERATURES AND SERVICE TEMPERATURE LIMITATIONS.
3. REFER TO THE HENRY **BLUESKIN VP100** GUIDE SPECIFICATION FOR RECOMMENDED FLASHINGS.
4. FLASHINGS MAY NOT BE COMPATIBLE WITH ALL SEALANTS. USE SEALANT AS INDICATED OR VERIFY COMPATIBILITY AS DIRECTED IN AAMA 713.
5. INSTALLATIONS WITHOUT A DRAINAGE SILL PAN ARE LIMITED TO LOW WIND AND WATER EXPOSURE CONDITIONS.
6. SUBSTRATES MUST BE CLEAN AND DRY.
7. SELF-ADHERED MEMBRANES MAY REQUIRE A PRIMER FOR OPTIMAL ADHESION TO SOME SURFACES AND/OR SUBSTRATE TEMPERATURES.
8. ROLL SELF-ADHERED MEMBRANES TO OBTAIN CONTINUOUS ADHESION.
9. VERIFY WEATHER-RESISTIVE BARRIER IS FREE FROM PROTRUSIONS OR DAMAGE PRIOR TO CLADDING INSTALLATION.
10. CONTACT HENRY AT 800-773-4777 FOR TECHNICAL ASSISTANCE.



A CARLISLE COMPANY

999 N. Pacific Coast Highway, Suite 800
El Segundo, CA 90245
800-486-1278 • www.henry.com

**BLUESKIN VP100 SELF-ADHERED AIR BARRIER
FLANGED WINDOW - METHOD A
WINDOW INSTALLATION FOR LOW WIND AND WATER EXPOSURE
FLASHING INSTALLED BEFORE WRB - INSTALLATION SEQUENCE**

MANUFACTURER INSTALLATION GUIDELINES ARE FOR REFERENCE ONLY. HENRY DOES NOT ASSUME RESPONSIBILITY FOR ERRORS OR DEVIATIONS IN DESIGN OR ENGINEERING. PROJECT SPECIFIC VERIFICATION IS RECOMMENDED PRIOR TO INSTALLATION. DETAILS ARE NOT TO SCALE. REFER TO PRODUCT SPECIFIC TECHNICAL DATA SHEET FOR PRODUCT INFORMATION, RECOMMENDED AUXILIARY COMPONENTS AND INSTALLATION INSTRUCTIONS.

04-18-2022

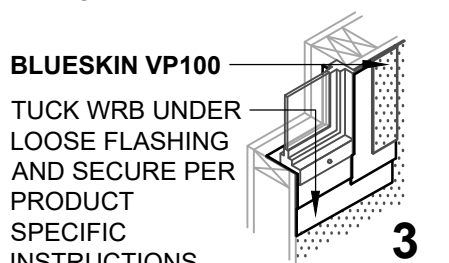
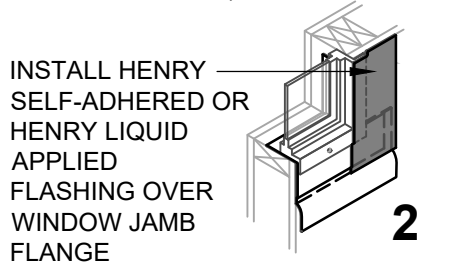
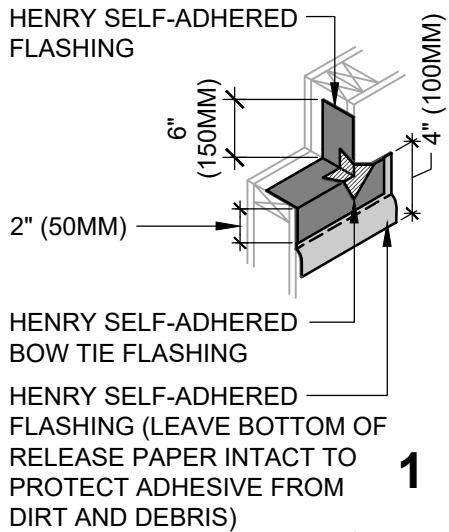
PAGE 2 OF 2

VPWRB-6A-L2

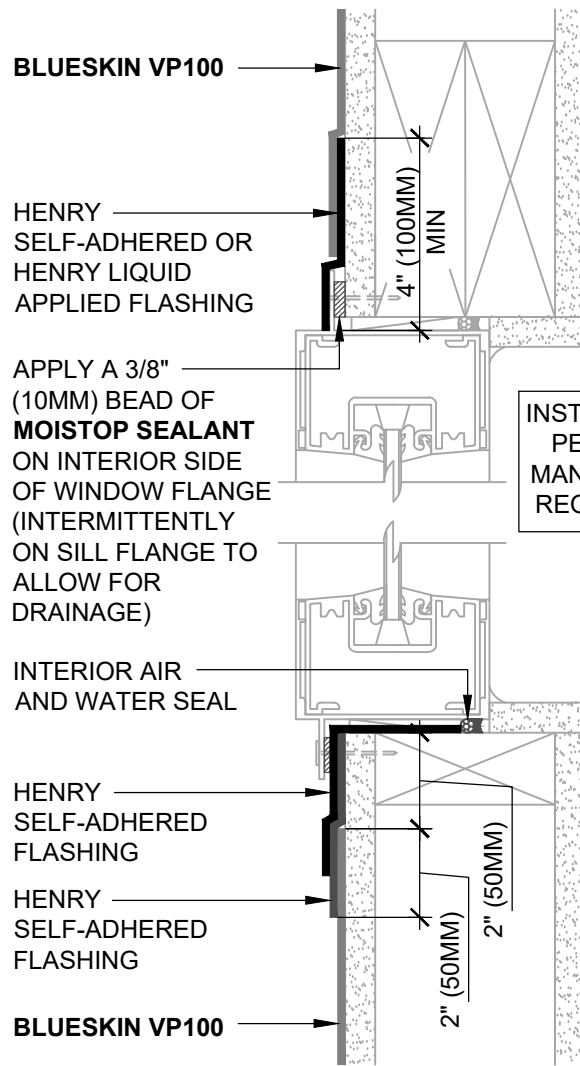
THE DEPICTED DETAIL SHOWS ONE OF THE SEVERAL COMMONLY ACCEPTED METHODS OF WINDOW INSTALLATION.



**HENRY 1-2-3 MOISTURE CONTROL SYSTEM
WEATHER-RESISTIVE BARRIER (WRB)
INSTALLATION GUIDELINES**



WINDOW FLASHING
ISOMETRIC VIEW



ASTM E2112 - METHOD A
SECTION VIEW

NOTES

1. VISIT WWW.HENRY.COM/WARRANTY FOR ELIGIBILITY REQUIREMENTS OF THE 15-YEAR RESIDENTIAL AND LIGHT COMMERCIAL HENRY 1-2-3 MOISTURE CONTROL SYSTEM WARRANTY.
2. HENRY OFFERS **BLUESKIN VP100** IN THE UNITED STATES AND CANADA. PRODUCT AVAILABILITY AND WARRANTY OPTIONS MAY VARY BY LOCATION. REFER TO THE HENRY **BLUESKIN VP100** GUIDE SPECIFICATION FOR RECOMMENDED FLASHINGS, SEALANTS, AND SYSTEM INFORMATION.
3. INSTALLATION "METHOD A" REFERS TO COMMON WINDOWS (SURFACE MOUNTED). INSTALL WINDOW PER WINDOW MANUFACTURER REQUIREMENTS.
4. PROVIDE INTERIOR AIR AND WATER SEAL AT WINDOW PERIMETER PER WINDOW MANUFACTURER RECOMMENDATIONS.
5. SEE PRODUCT SPECIFIC TECHNICAL DATA SHEET FOR ROLL SIZES, MAXIMUM UV EXPOSURE, COMPATIBILITY CONCERNS, APPLICATION TEMPERATURES AND SERVICE TEMPERATURE LIMITATIONS.
6. CLADDING, INSULATION, AND OPTIONAL INTERIOR VAPOR BARRIER NOT SHOWN FOR CLARITY. REFER TO LOCAL CODE ORDINANCES FOR INSULATION AND VAPOR BARRIER REQUIREMENTS.
7. SUBSTRATES MUST BE CLEAN AND DRY.
8. SELF-ADHERED MEMBRANES MAY REQUIRE A PRIMER FOR OPTIMAL ADHESION TO SOME SURFACES AND/OR SUBSTRATE TEMPERATURES. REFER TO PRODUCT SPECIFIC TECHNICAL DATA SHEET FOR PRIMER REQUIREMENTS.
9. VERIFY WEATHER-RESISTIVE BARRIER IS FREE FROM PROTRUSIONS OR DAMAGE PRIOR TO CLADDING INSTALLATION.
10. CONTACT HENRY AT 800-773-4777 FOR TECHNICAL ASSISTANCE.



A CARLISLE COMPANY

999 N. Pacific Coast Highway, Suite 800
El Segundo, CA 90245
800-486-1278 • www.henry.com

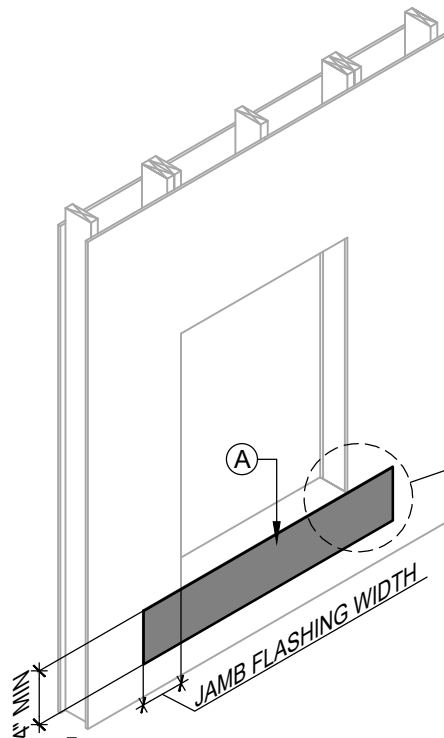
**BLUESKIN VP100 SELF-ADHERED AIR BARRIER
FLANGED WINDOW - METHOD A
WINDOW INSTALLATION WITH PAN FLASHING AT SILL
FLASHING INSTALLED BEFORE WRB**

MANUFACTURER INSTALLATION GUIDELINES ARE FOR REFERENCE ONLY. HENRY DOES NOT ASSUME RESPONSIBILITY FOR ERRORS OR DEVIATIONS IN DESIGN OR ENGINEERING. PROJECT SPECIFIC VERIFICATION IS RECOMMENDED PRIOR TO INSTALLATION. DETAILS ARE NOT TO SCALE. REFER TO PRODUCT SPECIFIC TECHNICAL DATA SHEET FOR PRODUCT INFORMATION, RECOMMENDED AUXILIARY COMPONENTS AND INSTALLATION INSTRUCTIONS.

04-18-2022

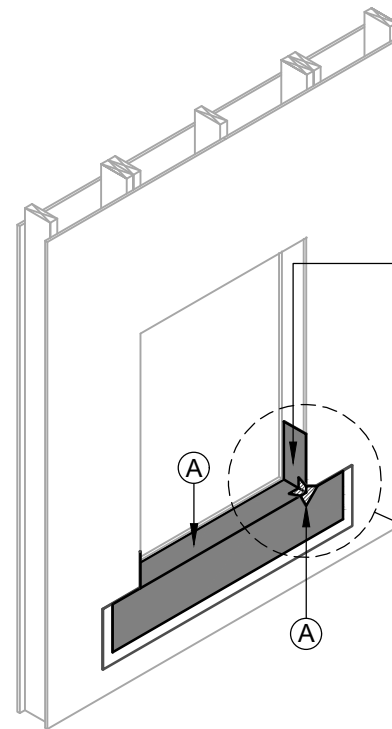
PAGE 1 OF 1

VPWRB-6A-P1



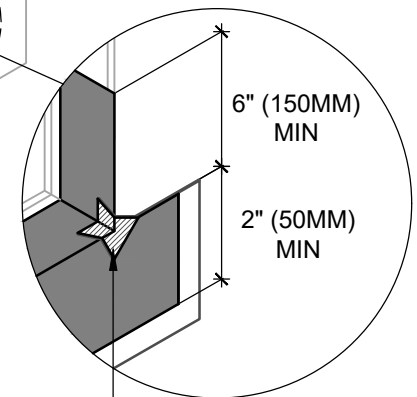
1 SILL FLASHING PREPARATION

- SELF-ADHERED FLASHING:**
1. REMOVE RELEASE PAPER AT TOP OF FLASHING AND ADHERE TOP OF FLASHING INTO PLACE
 2. LEAVE BOTTOM OF RELEASE PAPER INTACT TO PROTECT ADHESIVE FROM DIRT AND DEBRIS
 3. INTEGRATE FLASHING WITH WRB IN STEP #7



2 SILL FLASHING INSTALLATION

SELF-ADHERED FLASHING:
FIRMLY ROLL FLASHING ONTO SURFACE



SELF-ADHERED BOW TIE FLASHING

Henry RESIDENTIAL AND LIGHT COMMERCIAL WEATHER-RESISTIVE BARRIER ASSEMBLY
A CARLISLE COMPANY



HENRY 1-2-3 MOISTURE CONTROL SYSTEM WEATHER-RESISTIVE BARRIER (WRB) INSTALLATION GUIDELINES

NOTES

1. THE DEPICTED DETAIL SHOWS ONE OF THE SEVERAL COMMONLY ACCEPTED METHODS OF WINDOW INSTALLATION.
2. VISIT WWW.HENRY.COM/WARRANTY FOR ELIGIBILITY REQUIREMENTS OF THE 15-YEAR RESIDENTIAL AND LIGHT COMMERCIAL HENRY 1-2-3 MOISTURE CONTROL SYSTEM WARRANTY.
3. HENRY OFFERS **BLUESKIN VP100** IN THE UNITED STATES AND CANADA. PRODUCT AVAILABILITY AND WARRANTY OPTIONS MAY VARY BY LOCATION. REFER TO THE HENRY **BLUESKIN VP100** GUIDE SPECIFICATION FOR RECOMMENDED FLASHINGS, SEALANTS, AND SYSTEM INFORMATION.

WEATHER-RESISTIVE BARRIER (WRB) COMPONENTS

- (A) HENRY SELF-ADHERED FLASHING
- (B) HENRY MOISTOP SEALANT
- (C) HENRY SELF-ADHERED OR HENRY LIQUID APPLIED FLASHING
- (D) BLUESKIN VP100

Henry
A CARLISLE COMPANY

999 N. Pacific Coast Highway, Suite 800
El Segundo, CA 90245
800-486-1278 • www.henry.com

**BLUESKIN VP100 SELF-ADHERED AIR BARRIER
FLANGED WINDOW - METHOD A
WINDOW INSTALLATION WITH PAN FLASHING AT SILL
FLASHING INSTALLED BEFORE WRB - INSTALLATION SEQUENCE**

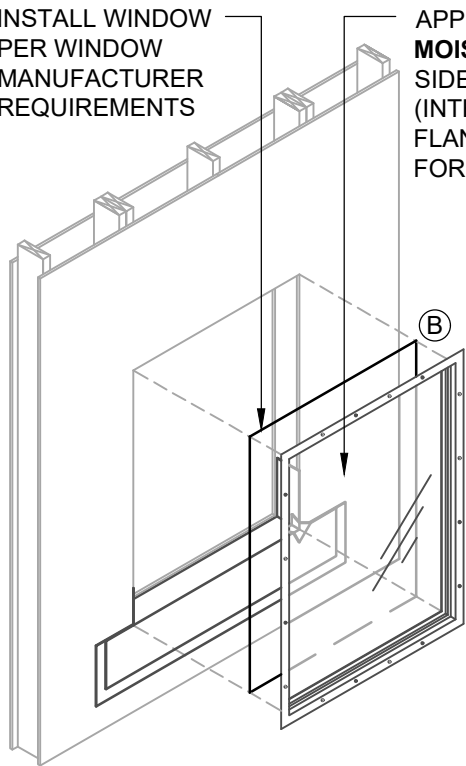
MANUFACTURER INSTALLATION GUIDELINES ARE FOR REFERENCE ONLY. HENRY DOES NOT ASSUME RESPONSIBILITY FOR ERRORS OR DEVIATIONS IN DESIGN OR ENGINEERING. PROJECT SPECIFIC VERIFICATION IS RECOMMENDED PRIOR TO INSTALLATION. DETAILS ARE NOT TO SCALE. REFER TO PRODUCT SPECIFIC TECHNICAL DATA SHEET FOR PRODUCT INFORMATION, RECOMMENDED AUXILIARY COMPONENTS AND INSTALLATION INSTRUCTIONS.

04-18-2022

PAGE 1 OF 2

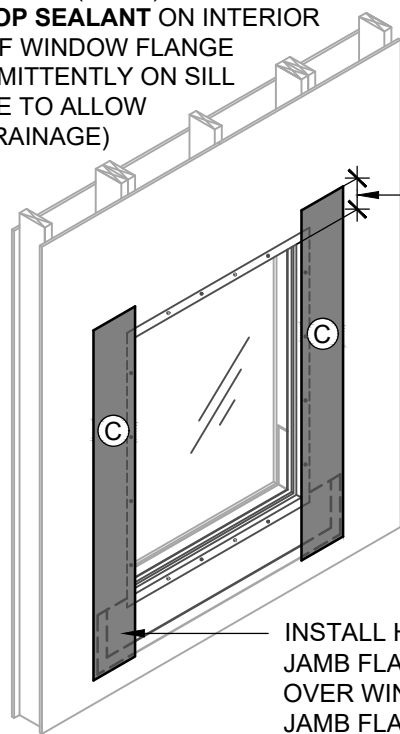
VPWRB-6A-P2

INSTALL WINDOW PER WINDOW MANUFACTURER REQUIREMENTS



4 WINDOW INSTALLATION

APPLY A 3/8" (10MM) BEAD OF **MOISTOP SEALANT** ON INTERIOR SIDE OF WINDOW FLANGE (INTERMITTENTLY ON SILL FLANGE TO ALLOW FOR DRAINAGE)

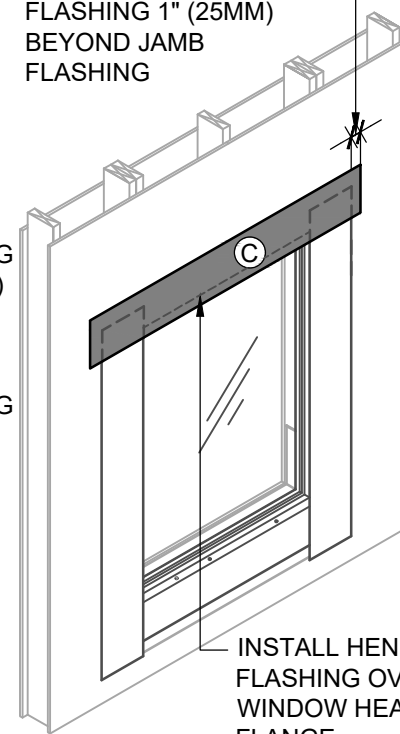


5 JAMB FLASHING INSTALLATION

INSTALL JAMB FLASHING 1" (25MM) BELOW TOP OF HEAD FLASHING

INSTALL HENRY JAMB FLASHING OVER WINDOW JAMB FLANGE

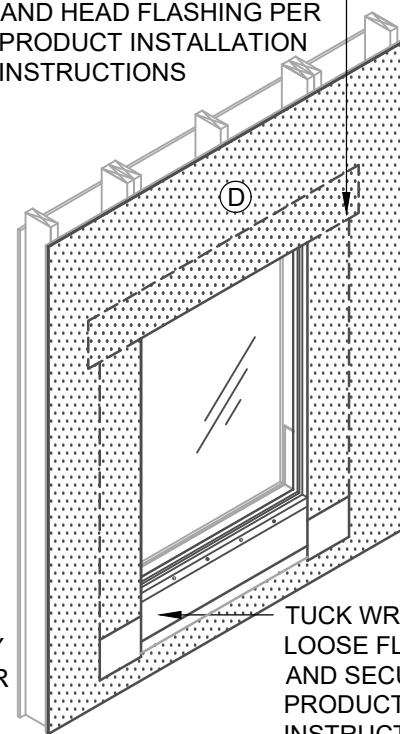
EXTEND HEADER FLASHING 1" (25MM) BEYOND JAMB FLASHING



6 HEADER FLASHING INSTALLATION

INSTALL HENRY FLASHING OVER WINDOW HEAD FLANGE

INSTALL WRB OVER JAMB AND HEAD FLASHING PER PRODUCT INSTALLATION INSTRUCTIONS



7 WEATHER-RESISTIVE BARRIER (WRB)

TUCK WRB UNDER LOOSE FLASHING AND SECURE PER PRODUCT SPECIFIC INSTRUCTIONS

INSTALLATION GUIDELINES AND LIMITATIONS

1. INSTALLATION "METHOD A" REFERS TO COMMON WINDOWS (SURFACE MOUNTED). INSTALL WINDOW PER WINDOW MANUFACTURER REQUIREMENTS.
2. AS A BEST PRACTICE, SLOPE SILL PRIOR TO FLASHING INSTALLATION TO PROMOTE POSITIVE DRAINAGE. USE BACKDAM IN LIEU OF SHIM AS REQUIRED.
3. SEE PRODUCT SPECIFIC TECHNICAL DATA SHEET FOR ROLL SIZES, MAXIMUM UV EXPOSURE, COMPATIBILITY CONCERNS, APPLICATION TEMPERATURES AND SERVICE TEMPERATURE LIMITATIONS.
4. REFER TO THE HENRY **BLUESKIN VP100** GUIDE SPECIFICATION FOR RECOMMENDED FLASHINGS.
5. FLASHINGS MAY NOT BE COMPATIBLE WITH ALL SEALANTS. USE SEALANT AS INDICATED OR VERIFY COMPATIBILITY AS DIRECTED IN AAMA 713.
6. PROVIDE INTERIOR AIR AND WATER SEAL AT WINDOW PERIMETER PER WINDOW MANUFACTURER RECOMMENDATIONS.
7. SUBSTRATES MUST BE CLEAN AND DRY.
8. SELF-ADHERED MEMBRANES MAY REQUIRE A PRIMER FOR OPTIMAL ADHESION TO SOME SURFACES AND/OR SUBSTRATE TEMPERATURES.
9. ROLL SELF-ADHERED MEMBRANES TO OBTAIN CONTINUOUS ADHESION.
10. VERIFY WEATHER-RESISTIVE BARRIER IS FREE FROM PROTRUSIONS OR DAMAGE PRIOR TO CLADDING INSTALLATION.
11. CONTACT HENRY AT 800-773-4777 FOR TECHNICAL ASSISTANCE.

Henry
A CARLISLE COMPANY

999 N. Pacific Coast Highway, Suite 800
El Segundo, CA 90245
800-486-1278 • www.henry.com

BLUESKIN VP100 SELF-ADHERED AIR BARRIER FLANGED WINDOW - METHOD A WINDOW INSTALLATION WITH PAN FLASHING AT SILL FLASHING INSTALLED BEFORE WRB - INSTALLATION SEQUENCE

MANUFACTURER INSTALLATION GUIDELINES ARE FOR REFERENCE ONLY. HENRY DOES NOT ASSUME RESPONSIBILITY FOR ERRORS OR DEVIATIONS IN DESIGN OR ENGINEERING. PROJECT SPECIFIC VERIFICATION IS RECOMMENDED PRIOR TO INSTALLATION. DETAILS ARE NOT TO SCALE. REFER TO PRODUCT SPECIFIC TECHNICAL DATA SHEET FOR PRODUCT INFORMATION, RECOMMENDED AUXILIARY COMPONENTS AND INSTALLATION INSTRUCTIONS.

04-18-2022

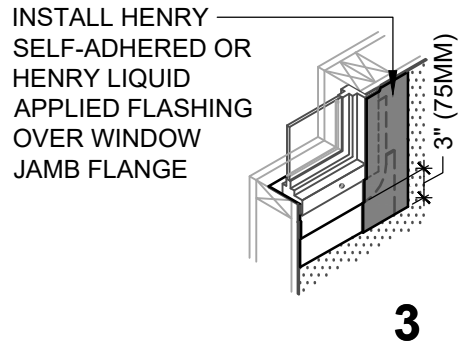
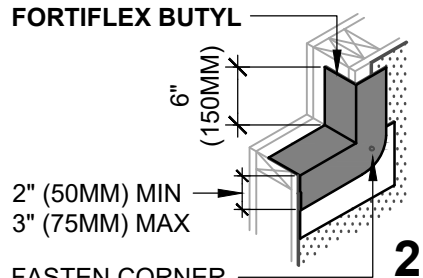
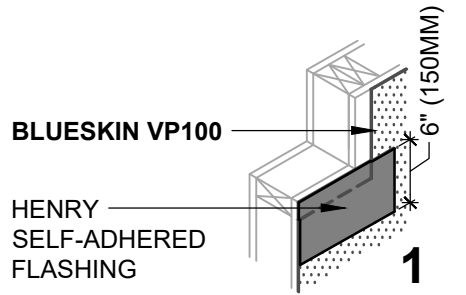
PAGE 2 OF 2

VPWRB-6A-P2

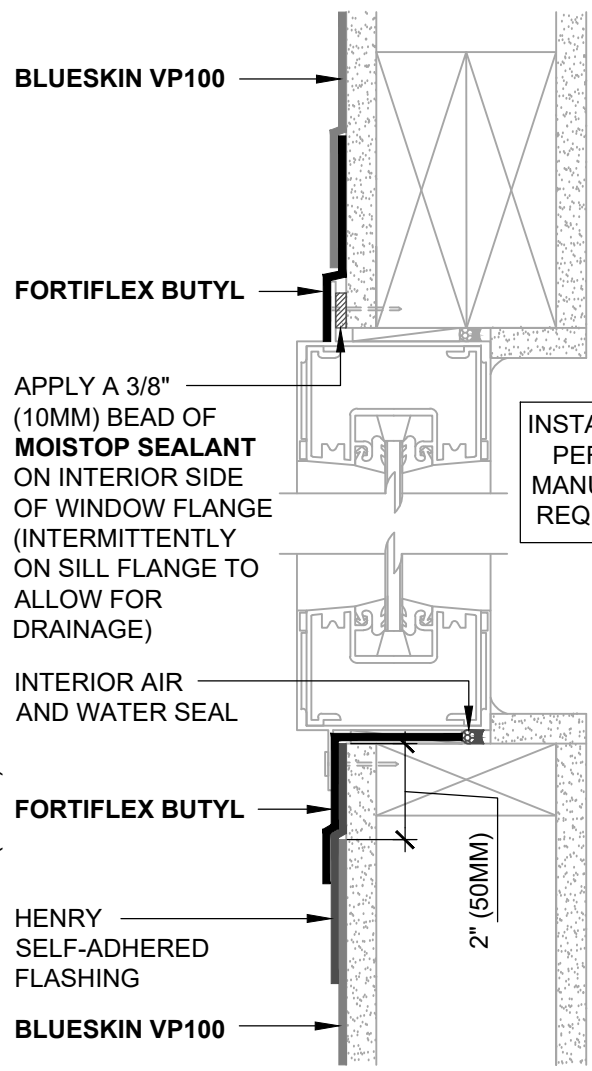
THE DEPICTED DETAIL SHOWS ONE OF THE SEVERAL COMMONLY ACCEPTED METHODS OF WINDOW INSTALLATION.



**HENRY 1-2-3 MOISTURE CONTROL SYSTEM
WEATHER-RESISTIVE BARRIER (WRB)
INSTALLATION GUIDELINES**



WINDOW FLASHING
ISOMETRIC VIEW



ASTM E2112 - METHOD A1
SECTION VIEW

NOTES

1. VISIT WWW.HENRY.COM/WARRANTY FOR ELIGIBILITY REQUIREMENTS OF THE 15-YEAR RESIDENTIAL AND LIGHT COMMERCIAL HENRY 1-2-3 MOISTURE CONTROL SYSTEM WARRANTY.
2. HENRY OFFERS **BLUESKIN VP100** IN THE UNITED STATES AND CANADA. PRODUCT AVAILABILITY AND WARRANTY OPTIONS MAY VARY BY LOCATION. REFER TO THE HENRY **BLUESKIN VP100** GUIDE SPECIFICATION FOR RECOMMENDED FLASHINGS, SEALANTS, AND SYSTEM INFORMATION.
3. INSTALLATION "METHOD A1" REFERS TO COMMON WINDOWS (SURFACE MOUNTED). INSTALL WINDOW PER WINDOW MANUFACTURER REQUIREMENTS.
4. PROVIDE INTERIOR AIR AND WATER SEAL AT WINDOW PERIMETER PER WINDOW MANUFACTURER RECOMMENDATIONS.
5. SEE PRODUCT SPECIFIC TECHNICAL DATA SHEET FOR ROLL SIZES, MAXIMUM UV EXPOSURE, COMPATIBILITY CONCERNS, APPLICATION TEMPERATURES AND SERVICE TEMPERATURE LIMITATIONS.
6. CLADDING, INSULATION, AND OPTIONAL VAPOR BARRIER NOT SHOWN FOR CLARITY. REFER TO LOCAL CODE ORDINANCES FOR INSULATION AND VAPOR BARRIER REQUIREMENTS.
7. SUBSTRATES MUST BE CLEAN AND DRY.
8. SELF-ADHERED MEMBRANES MAY REQUIRE A PRIMER FOR OPTIMAL ADHESION TO SOME SURFACES AND/OR SUBSTRATE TEMPERATURES. REFER TO PRODUCT SPECIFIC TECHNICAL DATA SHEET FOR PRIMER REQUIREMENTS.
9. VERIFY WEATHER-RESISTIVE BARRIER IS FREE FROM PROTRUSIONS OR DAMAGE PRIOR TO CLADDING INSTALLATION.
10. CONTACT HENRY AT 800-773-4777 FOR TECHNICAL ASSISTANCE.



A CARULISE COMPANY

999 N. Pacific Coast Highway, Suite 800
El Segundo, CA 90245
800-486-1278 • www.henry.com

**BLUESKIN VP100 SELF-ADHERED AIR BARRIER
FLANGED WINDOW - METHOD A1**

**FORTIFLEX BUTYL
FLASHING INSTALLED AFTER WRB**

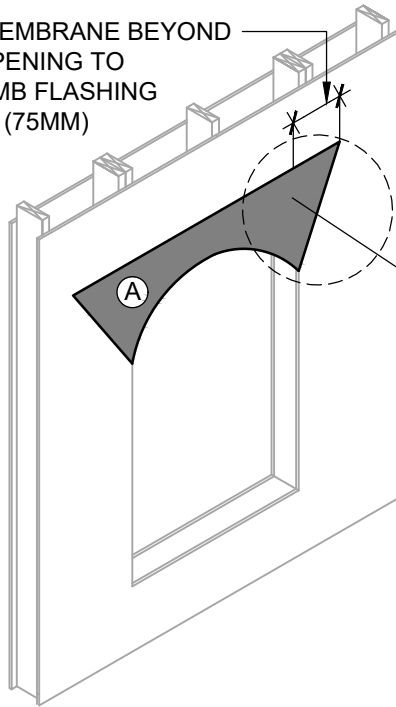
MANUFACTURER INSTALLATION GUIDELINES ARE FOR REFERENCE ONLY. HENRY DOES NOT ASSUME RESPONSIBILITY FOR ERRORS OR DEVIATIONS IN DESIGN OR ENGINEERING. PROJECT SPECIFIC VERIFICATION IS RECOMMENDED PRIOR TO INSTALLATION. DETAILS ARE NOT TO SCALE. REFER TO PRODUCT SPECIFIC TECHNICAL DATA SHEET FOR PRODUCT INFORMATION, RECOMMENDED AUXILIARY COMPONENTS AND INSTALLATION INSTRUCTIONS.

04-18-2022

PAGE 1 OF 1

VPWRB-6A1-F1

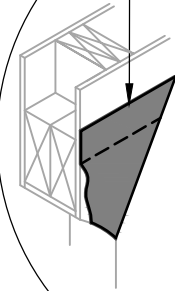
EXTEND MEMBRANE BEYOND
ROUGH OPENING TO
EQUAL JAMB FLASHING
WIDTH +3" (75MM)



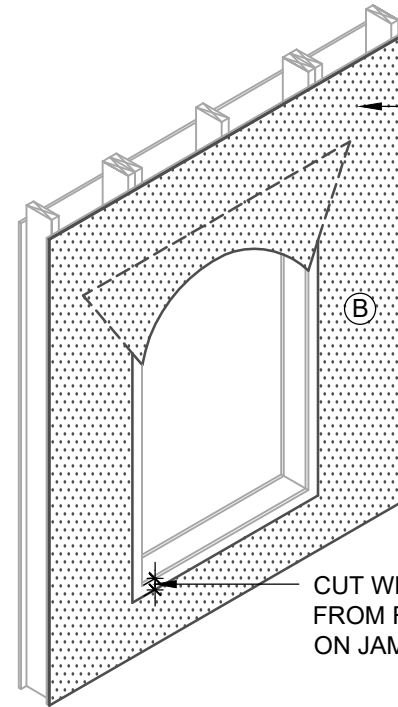
1 HEADER PREPARATION

SELF-ADHERED MEMBRANE:

1. REMOVE RELEASE PAPER AT TOP OF MEMBRANE AND ADHERE INTO PLACE
2. LEAVE BOTTOM OF RELEASE PAPER INTACT TO PROTECT ADHESIVE FROM DIRT AND DEBRIS
3. INTEGRATE MEMBRANE WITH WRB IN STEP #8



INSTALL WRB PER
PRODUCT INSTALLATION
INSTRUCTIONS



2 WEATHER-RESISTIVE BARRIER (WRB)

CUT WRB 2" (50MM)
FROM ROUGH OPENING
ON JAMB AND SILL

Henry RESIDENTIAL AND LIGHT COMMERCIAL WEATHER-RESISTIVE BARRIER ASSEMBLY

WEATHER-RESISTIVE BARRIER (WRB) COMPONENTS

- (A) HENRY SELF-ADHERED FLASHING OR BLUESKIN VP100
- (B) BLUESKIN VP100
- (C) HENRY SELF-ADHERED FLASHING
- (D) FORTIFLEX BUTYL
- (E) HENRY MOISTOP SEALANT
- (F) HENRY SELF-ADHERED OR HENRY LIQUID APPLIED FLASHING
- (G) HENRY 212 SEALANT (US) OR KOP-R-LASTIC SEALANT (CAN)



HENRY 1-2-3 MOISTURE CONTROL SYSTEM WEATHER-RESISTIVE BARRIER (WRB) INSTALLATION GUIDELINES

NOTES

1. THE DEPICTED DETAIL SHOWS ONE OF THE SEVERAL COMMONLY ACCEPTED METHODS OF WINDOW INSTALLATION.
2. VISIT WWW.HENRY.COM/WARRANTY FOR ELIGIBILITY REQUIREMENTS OF THE 15-YEAR RESIDENTIAL AND LIGHT COMMERCIAL HENRY 1-2-3 MOISTURE CONTROL SYSTEM WARRANTY.
3. HENRY OFFERS **BLUESKIN VP100** IN THE UNITED STATES AND CANADA. PRODUCT AVAILABILITY AND WARRANTY OPTIONS MAY VARY BY LOCATION. REFER TO THE HENRY **BLUESKIN VP100** GUIDE SPECIFICATION FOR RECOMMENDED FLASHINGS, SEALANTS, AND SYSTEM INFORMATION.



999 N. Pacific Coast Highway, Suite 800
El Segundo, CA 90245
800-486-1278 • www.henry.com

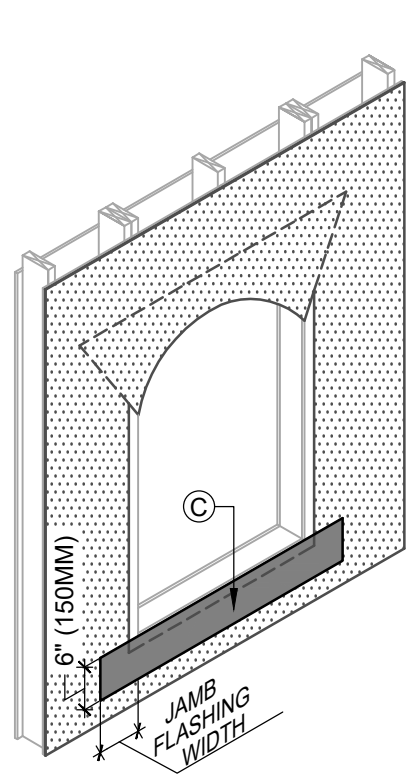
BLUESKIN VP100 SELF-ADHERED AIR BARRIER FLANGED WINDOW - METHOD A1 FORTIFLEX BUTYL FLASHING INSTALLED AFTER WRB - SEQUENCE INSTALLATION

MANUFACTURER INSTALLATION GUIDELINES ARE FOR REFERENCE ONLY. HENRY DOES NOT ASSUME RESPONSIBILITY FOR ERRORS OR DEVIATIONS IN DESIGN OR ENGINEERING. PROJECT SPECIFIC VERIFICATION IS RECOMMENDED PRIOR TO INSTALLATION. DETAILS ARE NOT TO SCALE. REFER TO PRODUCT SPECIFIC TECHNICAL DATA SHEET FOR PRODUCT INFORMATION, RECOMMENDED AUXILIARY COMPONENTS AND INSTALLATION INSTRUCTIONS.

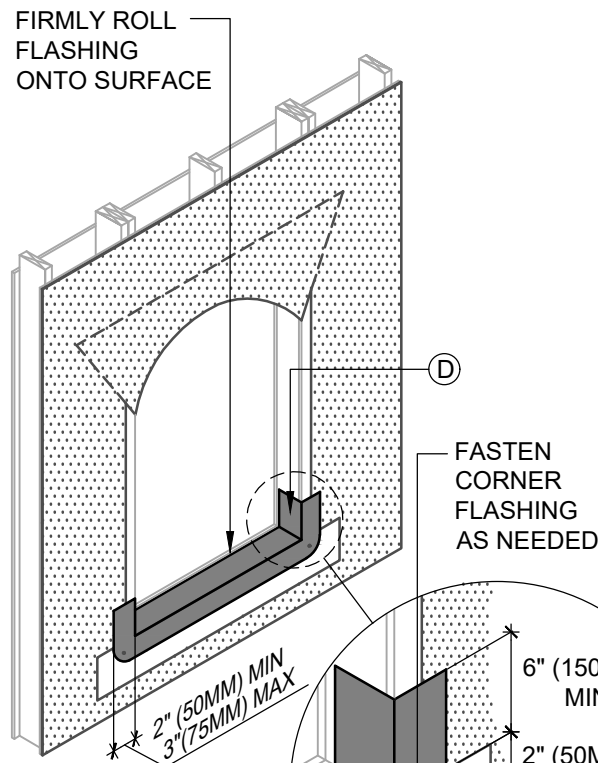
04-18-2022

PAGE 1 OF 3

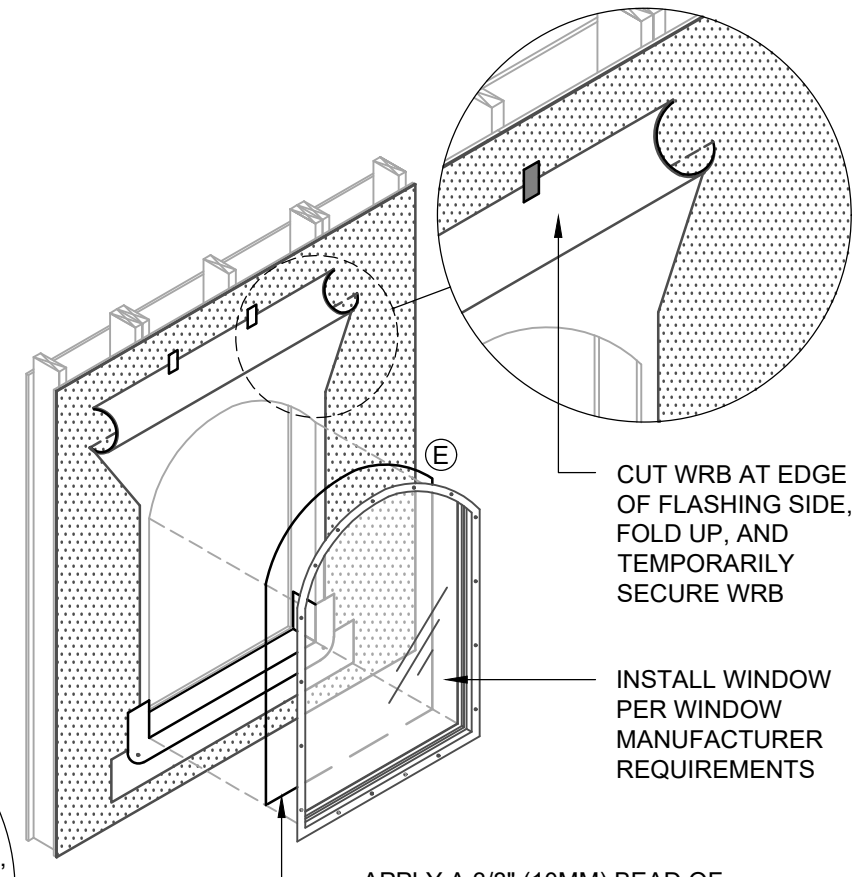
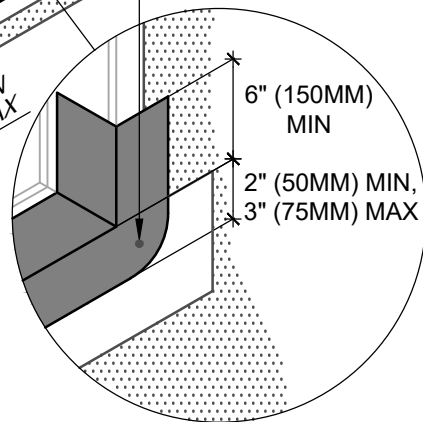
VPWRB-6A1-F2



3 SILL FLASHING PREPARATION



4 SILL FLASHING INSTALLATION



5 WINDOW INSTALLATION

INSTALLATION GUIDELINES AND LIMITATIONS

1. THIS DETAIL SET INCLUDES THREE PAGES. REFER TO PAGE THREE FOR FURTHER **BLUESKIN VP100** INSTALLATION GUIDELINES AND LIMITATION NOTES.
2. INSTALLATION "METHOD A1" REFERS TO COMMON WINDOWS (SURFACE MOUNTED). INSTALL WINDOW PER WINDOW MANUFACTURER REQUIREMENTS.
3. AS A BEST PRACTICE, SLOPE SILL PRIOR TO FLASHING INSTALLATION TO PROMOTE POSITIVE DRAINAGE. USE BACKDAM IN LIEU OF SHIM AS REQUIRED.



A CARLISLE COMPANY

999 N. Pacific Coast Highway, Suite 800
El Segundo, CA 90245
800-486-1278 • www.henry.com

**BLUESKIN VP100 SELF-ADHERED AIR BARRIER
FLANGED WINDOW - METHOD A1**

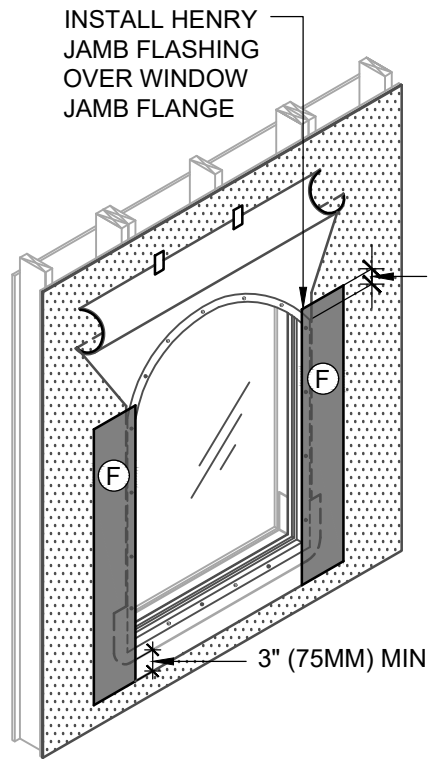
**FORTIFLEX BUTYL
FLASHING INSTALLED AFTER WRB - SEQUENCE INSTALLATION**

MANUFACTURER INSTALLATION GUIDELINES ARE FOR REFERENCE ONLY. HENRY DOES NOT ASSUME RESPONSIBILITY FOR ERRORS OR DEVIATIONS IN DESIGN OR ENGINEERING. PROJECT SPECIFIC VERIFICATION IS RECOMMENDED PRIOR TO INSTALLATION. DETAILS ARE NOT TO SCALE. REFER TO PRODUCT SPECIFIC TECHNICAL DATA SHEET FOR PRODUCT INFORMATION, RECOMMENDED AUXILIARY COMPONENTS AND INSTALLATION INSTRUCTIONS.

04-18-2022

PAGE 2 OF 3

VPWRB-6A1-F2

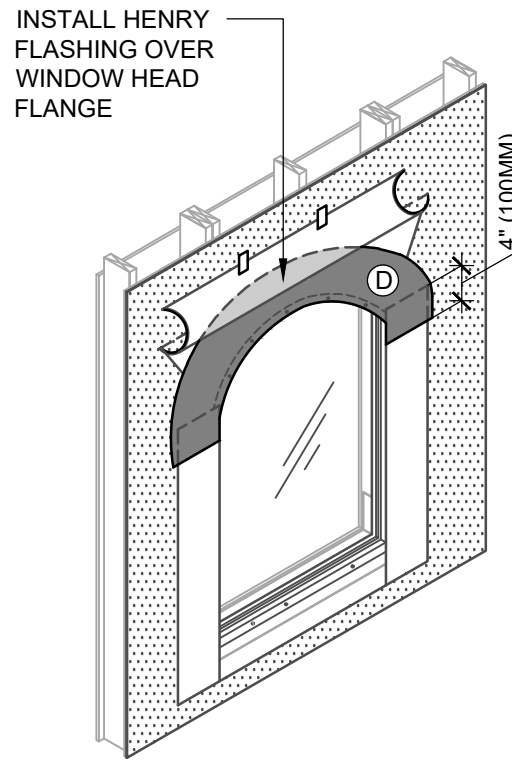


INSTALL HENRY
JAMB FLASHING
OVER WINDOW
JAMB FLANGE

INSTALL JAMB
FLASHING
2" (50MM)
ABOVE
WINDOW
FRAME

3" (75MM) MIN

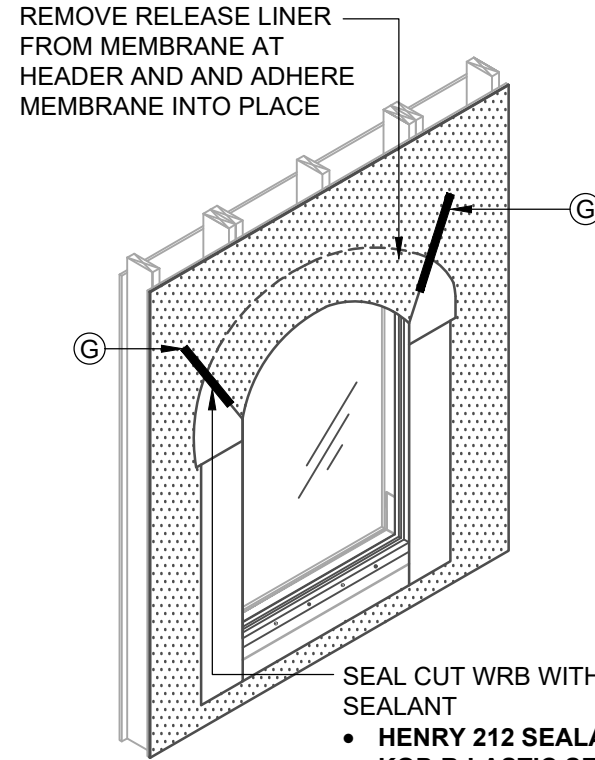
6 JAMB FLASHING INSTALLATION



INSTALL HENRY
FLASHING OVER
WINDOW HEAD
FLANGE

4" (100MM)

7 HEADER FLASHING INSTALLATION



REMOVE RELEASE LINER
FROM MEMBRANE AT
HEADER AND AND ADHERE
MEMBRANE INTO PLACE

SEAL CUT WRB WITH HENRY
SEALANT

- HENRY 212 SEALANT (US)
- KOP-R-LASTIC SEALANT (CAN)

8 SECURE WRB AT HEADER

INSTALLATION GUIDELINES AND LIMITATIONS

1. INSTALLATION "METHOD A1" REFERS TO COMMON WINDOWS (SURFACE MOUNTED). INSTALL WINDOW PER WINDOW MANUFACTURER REQUIREMENTS.
2. SEE PRODUCT SPECIFIC TECHNICAL DATA SHEET FOR ROLL SIZES, MAXIMUM UV EXPOSURE, COMPATIBILITY CONCERNS, APPLICATION TEMPERATURES AND SERVICE TEMPERATURE LIMITATIONS.
3. REFER TO THE HENRY **BLUESKIN VP100** GUIDE SPECIFICATION FOR RECOMMENDED FLASHINGS.
4. FLASHINGS MAY NOT BE COMPATIBLE WITH ALL SEALANTS. USE SEALANTS AS INDICATED OR VERIFY COMPATIBILITY AS DIRECTED IN AAMA 713.
5. PROVIDE INTERIOR AIR AND WATER SEAL AT WINDOW PERIMETER PER WINDOW MANUFACTURER RECOMMENDATIONS.
6. SUBSTRATES MUST BE CLEAN AND DRY.
7. SELF-ADHERED MEMBRANES MAY REQUIRE A PRIMER FOR OPTIMAL ADHESION TO SOME SURFACES AND/OR SUBSTRATE TEMPERATURES.
8. ROLL SELF-ADHERED MEMBRANES TO OBTAIN CONTINUOUS ADHESION.
9. VERIFY WEATHER-RESISTIVE BARRIER IS FREE FROM PROTRUSIONS OR DAMAGE PRIOR TO CLADDING INSTALLATION.
10. CONTACT HENRY AT 800-773-4777 FOR TECHNICAL ASSISTANCE.

Henry[®]

A CARLISLE COMPANY

999 N. Pacific Coast Highway, Suite 800
El Segundo, CA 90245
800-486-1278 • www.henry.com

BLUESKIN VP100 SELF-ADHERED AIR BARRIER

FLANGED WINDOW - METHOD A1

FORTIFLEX BUTYL

FLASHING INSTALLED AFTER WRB - SEQUENCE INSTALLATION

MANUFACTURER INSTALLATION GUIDELINES ARE FOR REFERENCE ONLY. HENRY DOES NOT ASSUME RESPONSIBILITY FOR ERRORS OR DEVIATIONS IN DESIGN OR ENGINEERING. PROJECT SPECIFIC VERIFICATION IS RECOMMENDED PRIOR TO INSTALLATION. DETAILS ARE NOT TO SCALE. REFER TO PRODUCT SPECIFIC TECHNICAL DATA SHEET FOR PRODUCT INFORMATION, RECOMMENDED AUXILIARY COMPONENTS AND INSTALLATION INSTRUCTIONS.

04-18-2022

PAGE 3 OF 3

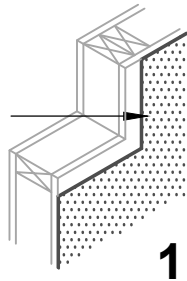
VPWRB-6A1-F2

THE DEPICTED DETAIL SHOWS ONE OF THE SEVERAL COMMONLY ACCEPTED METHODS OF WINDOW INSTALLATION.



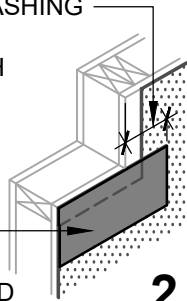
**HENRY 1-2-3 MOISTURE CONTROL SYSTEM
WEATHER-RESISTIVE BARRIER (WRB)
INSTALLATION GUIDELINES**

BLUESKIN VP100
(CUT WRB 2" (50MM) FROM ROUGH OPENING ON JAMB AND SILL)



1

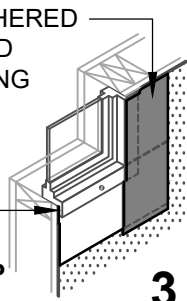
EXTEND SILL FLASHING TO MATCH JAMB FLASHING WIDTH



2

HENRY SELF-ADHERED OR HENRY LIQUID APPLIED FLASHING

HENRY SELF-ADHERED OR HENRY LIQUID APPLIED FLASHING



3

SET WINDOW FLANGE INTO A BED OF MOISTOP SEALANT

WINDOW FLASHING
ISOMETRIC VIEW

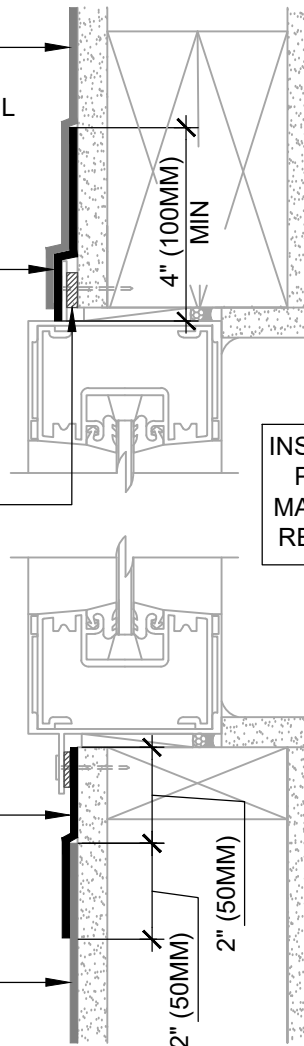
BLUESKIN VP100
(SEE SEQUENCE INSTALLATION DETAIL FOR HEADER PREPARATION GUIDELINES)

HENRY SELF-ADHERED OR HENRY LIQUID APPLIED FLASHING

APPLY A CONTINUOUS 3/8" (10MM) BEAD OF **MOISTOP SEALANT** ON INTERIOR SIDE OF WINDOW FLANGE

HENRY SELF-ADHERED OR HENRY LIQUID APPLIED FLASHING

BLUESKIN VP100



INSTALL WINDOW PER WINDOW MANUFACTURER REQUIREMENTS

ASTM E2112 - METHOD A1
SECTION VIEW

NOTES

1. VISIT WWW.HENRY.COM/WARRANTY FOR ELIGIBILITY REQUIREMENTS OF THE 15-YEAR RESIDENTIAL AND LIGHT COMMERCIAL HENRY 1-2-3 MOISTURE CONTROL SYSTEM WARRANTY.
2. HENRY OFFERS **BLUESKIN VP100** IN THE UNITED STATES AND CANADA. PRODUCT AVAILABILITY AND WARRANTY OPTIONS MAY VARY BY LOCATION. REFER TO THE HENRY **BLUESKIN VP100** GUIDE SPECIFICATION FOR RECOMMENDED FLASHINGS, SEALANTS, AND SYSTEM INFORMATION.
3. INSTALLATION "METHOD A1" REFERS TO COMMON WINDOWS (SURFACE MOUNTED). INSTALL WINDOW PER WINDOW MANUFACTURER REQUIREMENTS.
4. INSTALLATIONS WITHOUT A DRAINAGE SILL PAN ARE LIMITED TO LOW WIND AND WATER EXPOSURE CONDITIONS.
5. SEE PRODUCT SPECIFIC TECHNICAL DATA SHEET FOR ROLL SIZES, MAXIMUM UV EXPOSURE, COMPATIBILITY CONCERNS, APPLICATION TEMPERATURES AND SERVICE TEMPERATURE LIMITATIONS.
6. CLADDING, INSULATION, AND INTERIOR OPTIONAL VAPOR BARRIER NOT SHOWN FOR CLARITY. REFER TO LOCAL CODE ORDINANCES FOR INSULATION AND VAPOR BARRIER REQUIREMENTS.
7. SUBSTRATES MUST BE CLEAN AND DRY.
8. SELF-ADHERED MEMBRANES MAY REQUIRE A PRIMER FOR OPTIMAL ADHESION TO SOME SURFACES AND/OR SUBSTRATE TEMPERATURES. REFER TO PRODUCT SPECIFIC TECHNICAL DATA SHEET FOR PRIMER REQUIREMENTS.
9. VERIFY WEATHER-RESISTIVE BARRIER IS FREE FROM PROTRUSIONS OR DAMAGE PRIOR TO CLADDING INSTALLATION.
10. CONTACT HENRY AT 800-773-4777 FOR TECHNICAL ASSISTANCE.



A CARLISLE COMPANY

999 N. Pacific Coast Highway, Suite 800
El Segundo, CA 90245
800-486-1278 • www.henry.com

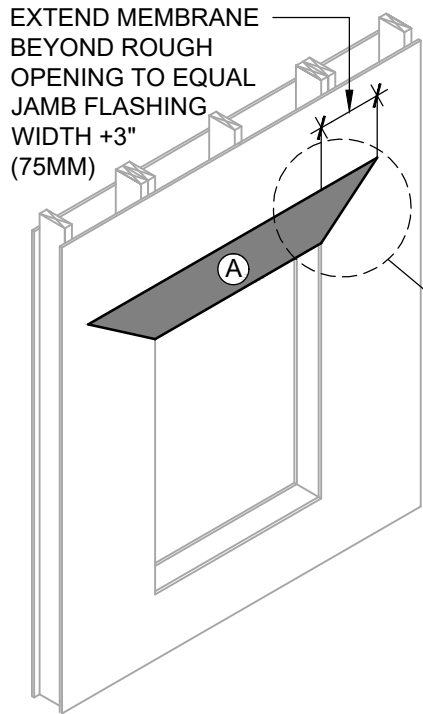
**BLUESKIN VP100 SELF-ADHERED AIR BARRIER
FLANGED WINDOW - METHOD A1
WINDOW INSTALLATION FOR LOW WIND AND WATER EXPOSURE
FLASHING INSTALLED AFTER WRB**

MANUFACTURER INSTALLATION GUIDELINES ARE FOR REFERENCE ONLY. HENRY DOES NOT ASSUME RESPONSIBILITY FOR ERRORS OR DEVIATIONS IN DESIGN OR ENGINEERING. PROJECT SPECIFIC VERIFICATION IS RECOMMENDED PRIOR TO INSTALLATION. DETAILS ARE NOT TO SCALE. REFER TO PRODUCT SPECIFIC TECHNICAL DATA SHEET FOR PRODUCT INFORMATION, RECOMMENDED AUXILIARY COMPONENTS AND INSTALLATION INSTRUCTIONS.

04-18-2022

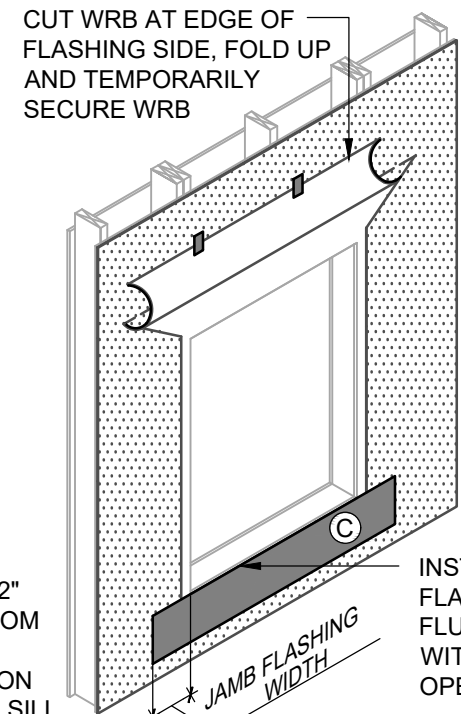
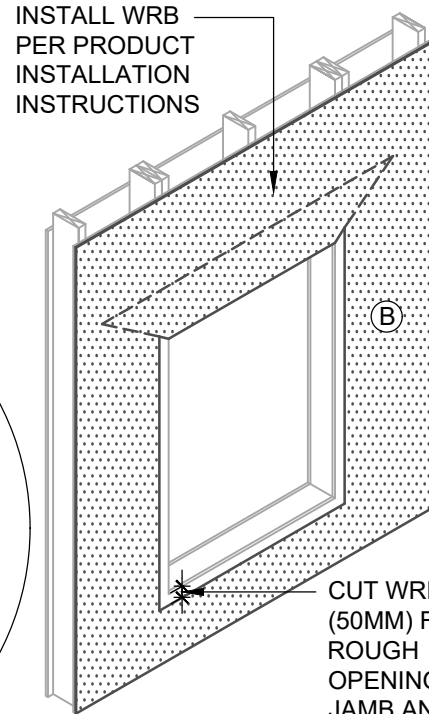
PAGE 1 OF 1

VPWRB-6A1-L1



SELF-ADHERED MEMBRANE:

1. REMOVE RELEASE PAPER AT TOP OF MEMBRANE AND ADHERE INTO PLACE
2. LEAVE BOTTOM OF RELEASE PAPER INTACT TO PROTECT ADHESIVE FROM DIRT AND DEBRIS
3. INTEGRATE MEMBRANE WITH WRB IN STEP #7



1 HEADER PREPARATION

2 WEATHER-RESISTIVE BARRIER (WRB)

3 HEADER PREPARATION AND SILL FLASHING

Henry RESIDENTIAL AND LIGHT COMMERCIAL WEATHER-RESISTIVE BARRIER ASSEMBLY



HENRY 1-2-3 MOISTURE CONTROL SYSTEM WEATHER-RESISTIVE BARRIER (WRB) INSTALLATION GUIDELINES

WEATHER-RESISTIVE BARRIER (WRB) COMPONENTS

- (A) HENRY SELF-ADHERED FLASHING OR BLUESKIN VP100
- (B) BLUESKIN VP100
- (C) HENRY SELF-ADHERED OR HENRY LIQUID APPLIED FLASHING
- (D) HENRY MOISTOP SEALANT
- (E) HENRY 212 SEALANT (US) OR KOP-R-LASTIC SEALANT (CAN)

NOTES

1. THE DEPICTED DETAIL SHOWS ONE OF THE SEVERAL COMMONLY ACCEPTED METHODS OF WINDOW INSTALLATION.
2. VISIT WWW.HENRY.COM/WARRANTY FOR ELIGIBILITY REQUIREMENTS OF THE 15-YEAR RESIDENTIAL AND LIGHT COMMERCIAL HENRY 1-2-3 MOISTURE CONTROL SYSTEM WARRANTY.
3. HENRY OFFERS **BLUESKIN VP100** IN THE UNITED STATES AND CANADA. PRODUCT AVAILABILITY AND WARRANTY OPTIONS MAY VARY BY LOCATION. REFER TO THE HENRY **BLUESKIN VP100** GUIDE SPECIFICATION FOR RECOMMENDED FLASHINGS, SEALANTS, AND SYSTEM INFORMATION.



999 N. Pacific Coast Highway, Suite 800
El Segundo, CA 90245
800-486-1278 • www.henry.com

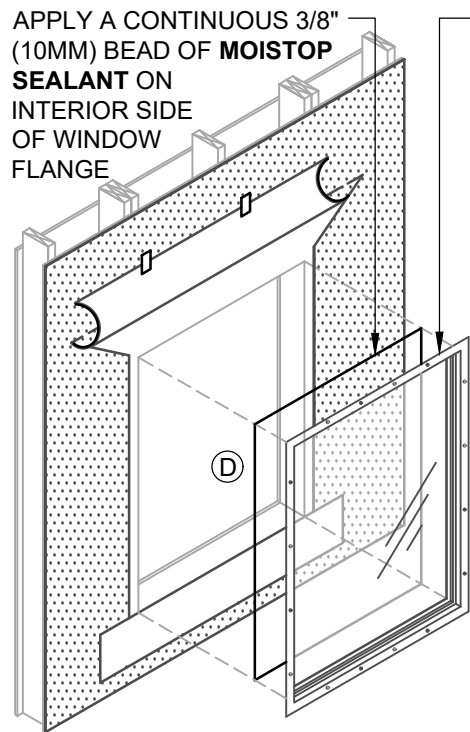
**BLUESKIN VP100 SELF-ADHERED AIR BARRIER
FLANGED WINDOW - METHOD A1
WINDOW INSTALLATION FOR LOW WIND AND WATER EXPOSURE
FLASHING INSTALLED AFTER WRB - INSTALLATION SEQUENCE**

MANUFACTURER INSTALLATION GUIDELINES ARE FOR REFERENCE ONLY. HENRY DOES NOT ASSUME RESPONSIBILITY FOR ERRORS OR DEVIATIONS IN DESIGN OR ENGINEERING. PROJECT SPECIFIC VERIFICATION IS RECOMMENDED PRIOR TO INSTALLATION. DETAILS ARE NOT TO SCALE. REFER TO PRODUCT SPECIFIC TECHNICAL DATA SHEET FOR PRODUCT INFORMATION, RECOMMENDED AUXILIARY COMPONENTS AND INSTALLATION INSTRUCTIONS.

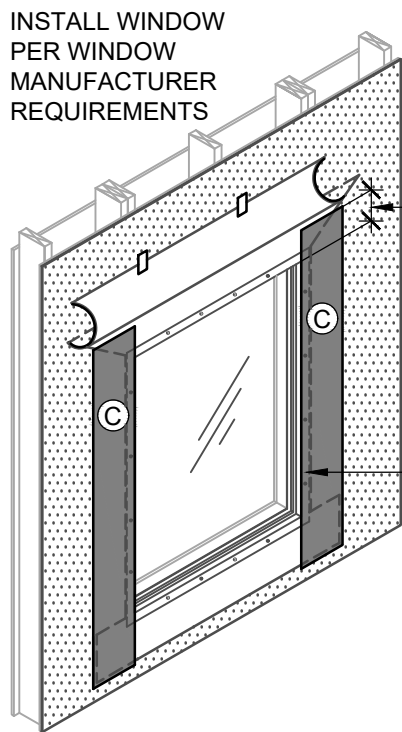
04-18-2022

PAGE 1 OF 2

VPWRB-6A1-L2



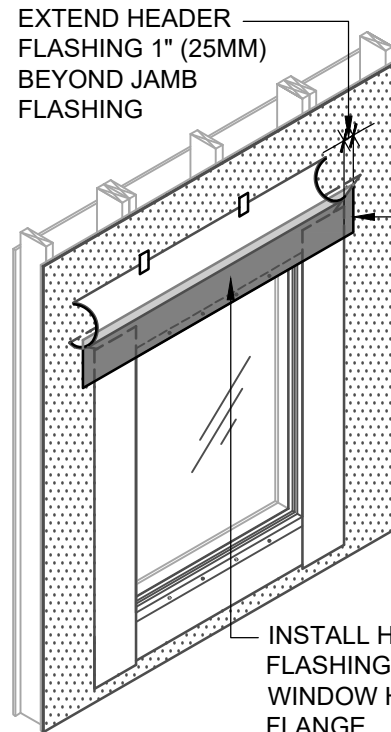
APPLY A CONTINUOUS 3/8" (10MM) BEAD OF **MOISTOP SEALANT** ON INTERIOR SIDE OF WINDOW FLANGE



INSTALL WINDOW PER WINDOW MANUFACTURER REQUIREMENTS

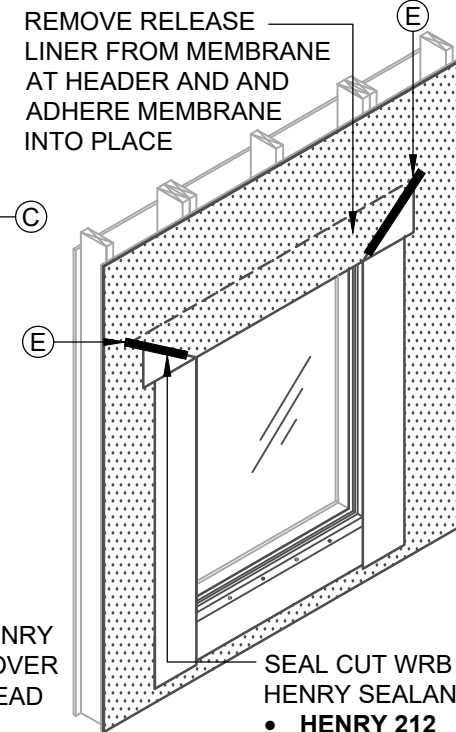
INSTALL JAMB FLASHING 1" (25MM) BELOW TOP OF HEAD FLASHING

INSTALL HENRY JAMB FLASHING OVER WINDOW JAMB FLANGE



EXTEND HEADER FLASHING 1" (25MM) BEYOND JAMB FLASHING

INSTALL HENRY FLASHING OVER WINDOW HEAD FLANGE



REMOVE RELEASE LINER FROM MEMBRANE AT HEADER AND ADHERE MEMBRANE INTO PLACE

SEAL CUT WRB WITH HENRY SEALANT

- HENRY 212 SEALANT (US)
- KOP-R-LASTIC SEALANT (CAN)

4 WINDOW INSTALLATION

5 JAMB FLASHING INSTALLATION

6 HEADER FLASHING INSTALLATION

7 SECURE WRB AT HEADER

INSTALLATION GUIDELINES AND LIMITATIONS

1. INSTALLATION "METHOD A1" REFERS TO COMMON WINDOWS (SURFACE MOUNTED). INSTALL WINDOW PER WINDOW MANUFACTURER REQUIREMENTS.
2. SEE PRODUCT SPECIFIC TECHNICAL DATA SHEET FOR ROLL SIZES, MAXIMUM UV EXPOSURE, COMPATIBILITY CONCERNS, APPLICATION TEMPERATURES AND SERVICE TEMPERATURE LIMITATIONS.
3. REFER TO THE HENRY **BLUESKIN VP100** GUIDE SPECIFICATION FOR RECOMMENDED FLASHINGS.
4. FLASHINGS MAY NOT BE COMPATIBLE WITH ALL SEALANTS. USE SEALANTS AS INDICATED OR VERIFY COMPATIBILITY AS DIRECTED IN AAMA 713.
5. INSTALLATIONS WITHOUT A DRAINAGE SILL PAN ARE LIMITED TO LOW WIND AND WATER EXPOSURE CONDITIONS.
6. SUBSTRATES MUST BE CLEAN AND DRY.
7. SELF-ADHERED MEMBRANES MAY REQUIRE A PRIMER FOR OPTIMAL ADHESION TO SOME SURFACES AND/OR SUBSTRATE TEMPERATURES.
8. ROLL SELF-ADHERED MEMBRANES TO OBTAIN CONTINUOUS ADHESION.
9. VERIFY WEATHER-RESISTIVE BARRIER IS FREE FROM PROTRUSIONS OR DAMAGE PRIOR TO CLADDING INSTALLATION.
10. CONTACT HENRY AT 800-773-4777 FOR TECHNICAL ASSISTANCE.

Henry[®]

A CARLISLE COMPANY

999 N. Pacific Coast Highway, Suite 800
El Segundo, CA 90245
800-486-1278 • www.henry.com

BLUESKIN VP100 SELF-ADHERED AIR BARRIER FLANGED WINDOW - METHOD A1

WINDOW INSTALLATION FOR LOW WIND AND WATER EXPOSURE
FLASHING INSTALLED AFTER WRB - INSTALLATION SEQUENCE

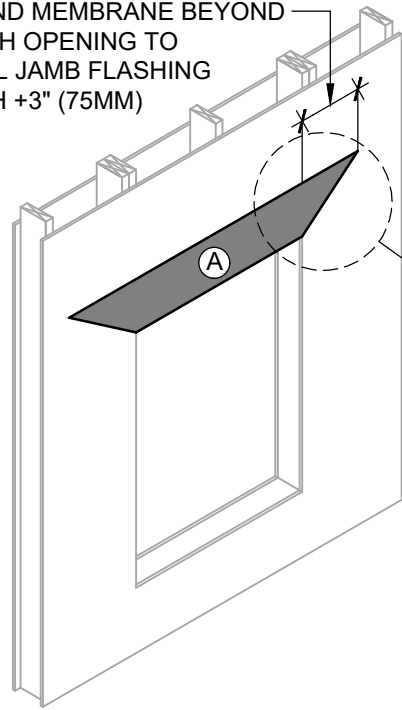
MANUFACTURER INSTALLATION GUIDELINES ARE FOR REFERENCE ONLY. HENRY DOES NOT ASSUME RESPONSIBILITY FOR ERRORS OR DEVIATIONS IN DESIGN OR ENGINEERING. PROJECT SPECIFIC VERIFICATION IS RECOMMENDED PRIOR TO INSTALLATION. DETAILS ARE NOT TO SCALE. REFER TO PRODUCT SPECIFIC TECHNICAL DATA SHEET FOR PRODUCT INFORMATION, RECOMMENDED AUXILIARY COMPONENTS AND INSTALLATION INSTRUCTIONS.

04-18-2022

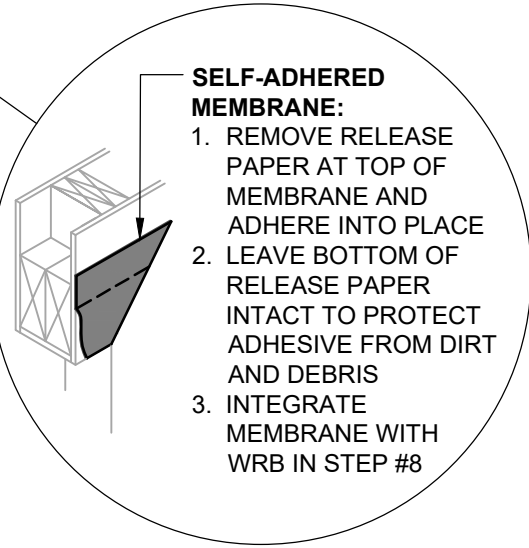
PAGE 2 OF 2

VPWRB-6A1-L2

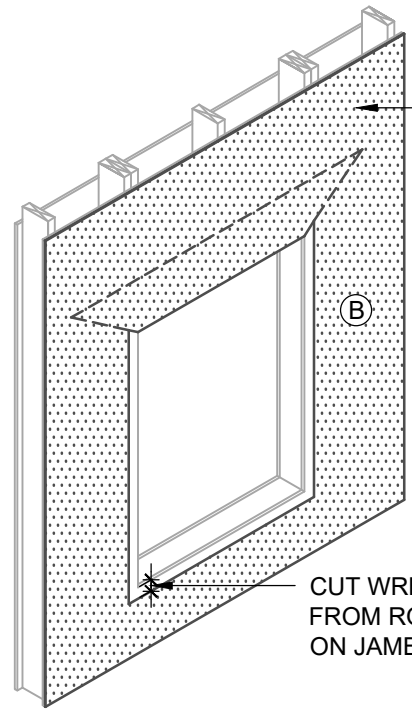
EXTEND MEMBRANE BEYOND ROUGH OPENING TO EQUAL JAMB FLASHING WIDTH +3" (75MM)



1 HEADER PREPARATION



- SELF-ADHERED MEMBRANE:**
1. REMOVE RELEASE PAPER AT TOP OF MEMBRANE AND ADHERE INTO PLACE
 2. LEAVE BOTTOM OF RELEASE PAPER INTACT TO PROTECT ADHESIVE FROM DIRT AND DEBRIS
 3. INTEGRATE MEMBRANE WITH WRB IN STEP #8



2 WEATHER-RESISTIVE BARRIER (WRB)

INSTALL WRB PER PRODUCT INSTALLATION INSTRUCTIONS

CUT WRB 2" (50MM) FROM ROUGH OPENING ON JAMB AND SILL

Henry RESIDENTIAL AND LIGHT COMMERCIAL WEATHER-RESISTIVE BARRIER ASSEMBLY



HENRY 1-2-3 MOISTURE CONTROL SYSTEM WEATHER-RESISTIVE BARRIER (WRB) INSTALLATION GUIDELINES

WEATHER-RESISTIVE BARRIER (WRB) COMPONENTS

- (A) HENRY SELF-ADHERED FLASHING
- (B) BLUESKIN VP100
- (C) HENRY MOISTOP SEALANT
- (D) HENRY SELF-ADHERED OR HENRY LIQUID APPLIED FLASHING
- (E) HENRY 212 SEALANT (US) OR KOP-R-LASTIC SEALANT (CAN)

NOTES

1. THE DEPICTED DETAIL SHOWS ONE OF THE SEVERAL COMMONLY ACCEPTED METHODS OF WINDOW INSTALLATION.
2. VISIT WWW.HENRY.COM/WARRANTY FOR ELIGIBILITY REQUIREMENTS OF THE 15-YEAR RESIDENTIAL AND LIGHT COMMERCIAL HENRY 1-2-3 MOISTURE CONTROL SYSTEM WARRANTY.
3. HENRY OFFERS **BLUESKIN VP100** IN THE UNITED STATES AND CANADA. PRODUCT AVAILABILITY AND WARRANTY OPTIONS MAY VARY BY LOCATION. REFER TO THE HENRY **BLUESKIN VP100** GUIDE SPECIFICATION FOR RECOMMENDED FLASHINGS, SEALANTS, AND SYSTEM INFORMATION.



BLUESKIN VP100 SELF-ADHERED AIR BARRIER FLANGED WINDOW - METHOD A1

WINDOW INSTALLATION WITH PAN FLASHING AT SILL FLASHING INSTALLED AFTER WRB - INSTALLATION SEQUENCE

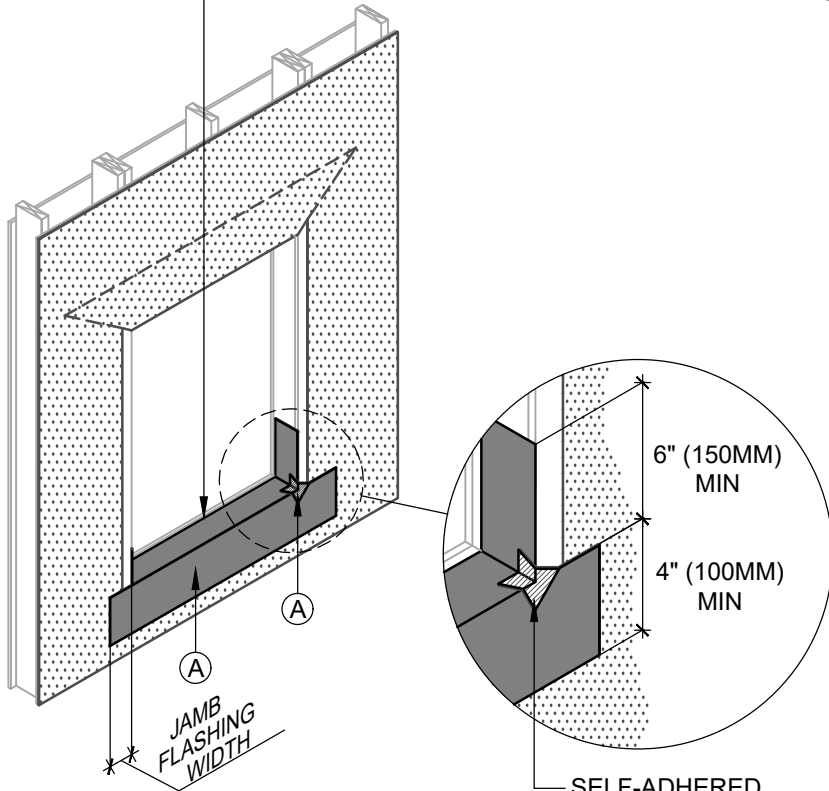
999 N. Pacific Coast Highway, Suite 800
El Segundo, CA 90245
800-486-1278 • www.henry.com

MANUFACTURER INSTALLATION GUIDELINES ARE FOR REFERENCE ONLY. HENRY DOES NOT ASSUME RESPONSIBILITY FOR ERRORS OR DEVIATIONS IN DESIGN OR ENGINEERING. PROJECT SPECIFIC VERIFICATION IS RECOMMENDED PRIOR TO INSTALLATION. DETAILS ARE NOT TO SCALE. REFER TO PRODUCT SPECIFIC TECHNICAL DATA SHEET FOR PRODUCT INFORMATION, RECOMMENDED AUXILIARY COMPONENTS AND INSTALLATION INSTRUCTIONS.

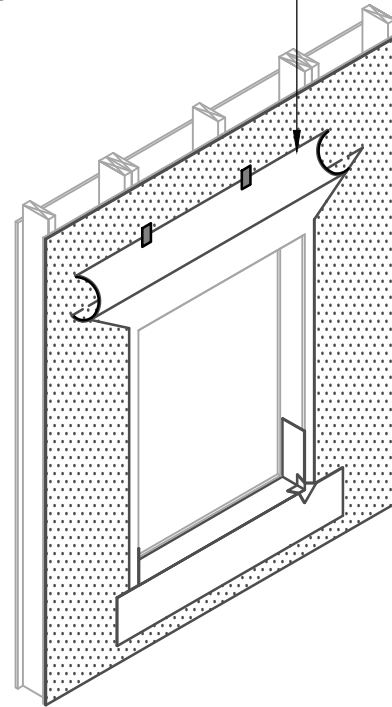
SELF-ADHERED FLASHING:
FIRMLY ROLL FLASHING
ONTO SURFACE

CUT WRB AT EDGE OF
FLASHING SIDE, FOLD UP
AND TEMPORARILY
SECURE WRB

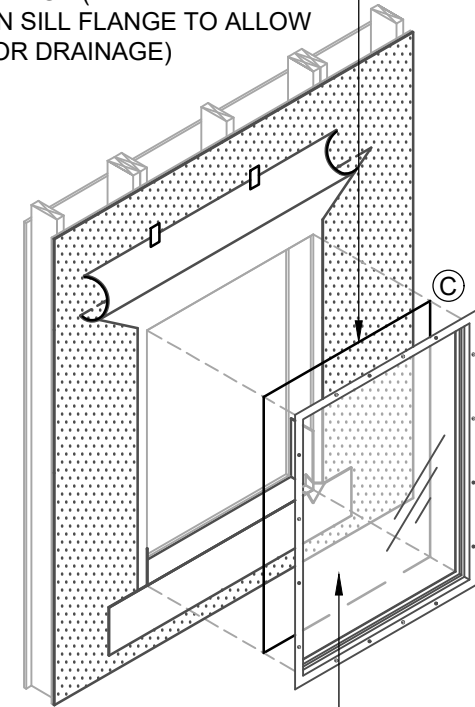
APPLY A 3/8" (10MM) BEAD
OF **MOISTOP SEALANT** ON
INTERIOR SIDE OF WINDOW
FLANGE (INTERMITTENTLY
ON SILL FLANGE TO ALLOW
FOR DRAINAGE)



3 SILL FLASHING
INSTALLATION



4 HEADER
PREPARATION



INSTALL WINDOW
PER WINDOW
MANUFACTURER
REQUIREMENTS

5 WINDOW
INSTALLATION

INSTALLATION GUIDELINES AND LIMITATIONS

1. THIS DETAIL SET INCLUDES THREE PAGES. REFER TO PAGE THREE FOR FURTHER **BLUESKIN VP100** INSTALLATION GUIDELINES AND LIMITATION NOTES.
2. INSTALLATION "METHOD A1" REFERS TO COMMON WINDOWS (SURFACE MOUNTED). INSTALL WINDOW PER WINDOW MANUFACTURER REQUIREMENTS.
3. AS A BEST PRACTICE, SLOPE SILL PRIOR TO FLASHING INSTALLATION TO PROMOTE POSITIVE DRAINAGE. USE BACKDAM IN LIEU OF SHIM AS REQUIRED.



A CARLISLE COMPANY

999 N. Pacific Coast Highway, Suite 800
El Segundo, CA 90245
800-486-1278 • www.henry.com

**BLUESKIN VP100 SELF-ADHERED AIR BARRIER
FLANGED WINDOW - METHOD A1**

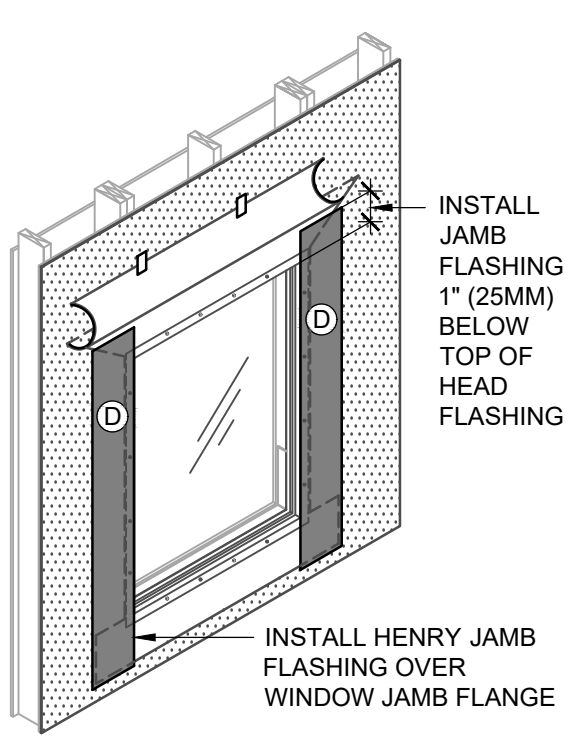
**WINDOW INSTALLATION WITH PAN FLASHING AT SILL
FLASHING INSTALLED AFTER WRB - INSTALLATION SEQUENCE**

MANUFACTURER INSTALLATION GUIDELINES ARE FOR REFERENCE ONLY. HENRY DOES NOT ASSUME RESPONSIBILITY FOR ERRORS OR DEVIATIONS IN DESIGN OR ENGINEERING. PROJECT SPECIFIC VERIFICATION IS RECOMMENDED PRIOR TO INSTALLATION. DETAILS ARE NOT TO SCALE. REFER TO PRODUCT SPECIFIC TECHNICAL DATA SHEET FOR PRODUCT INFORMATION, RECOMMENDED AUXILIARY COMPONENTS AND INSTALLATION INSTRUCTIONS.

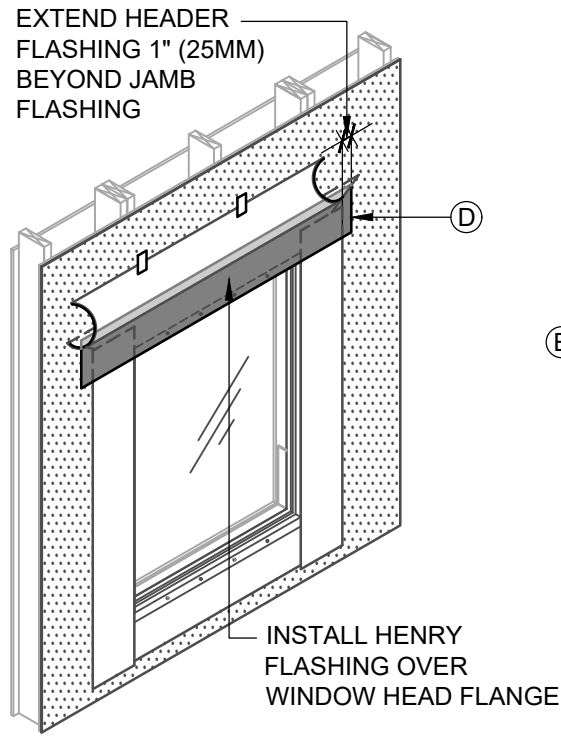
04-18-2022

PAGE 2 OF 3

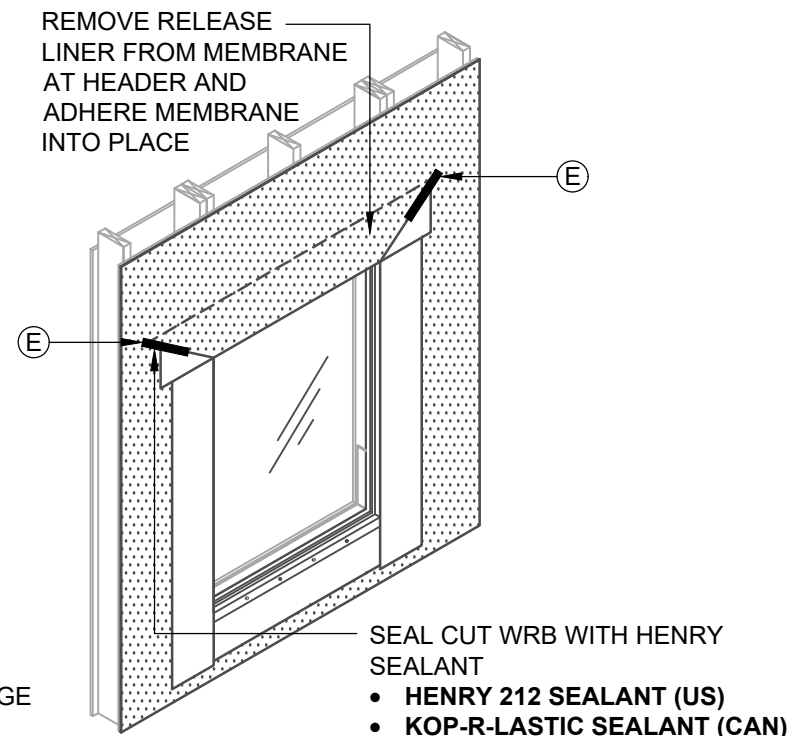
VPWRB-6A1-P2



6 JAMB FLASHING
INSTALLATION



7 HEADER FLASHING
INSTALLATION



8 SECURE WRB
AT HEADER

INSTALLATION GUIDELINES AND LIMITATIONS

1. INSTALLATION "METHOD A1" REFERS TO COMMON WINDOWS (SURFACE MOUNTED). INSTALL WINDOW PER WINDOW MANUFACTURER REQUIREMENTS.
2. SEE PRODUCT SPECIFIC TECHNICAL DATA SHEET FOR ROLL SIZES, MAXIMUM UV EXPOSURE, COMPATIBILITY CONCERNS, APPLICATION TEMPERATURES AND SERVICE TEMPERATURE LIMITATIONS.
3. REFER TO THE HENRY **BLUESKIN VP100** GUIDE SPECIFICATION FOR RECOMMENDED FLASHINGS.
4. FLASHINGS MAY NOT BE COMPATIBLE WITH ALL SEALANTS. USE SEALANTS AS INDICATED OR VERIFY COMPATIBILITY AS DIRECTED IN AAMA 713.
5. PROVIDE INTERIOR AIR AND WATER SEAL AT WINDOW PERIMETER PER WINDOW MANUFACTURER RECOMMENDATIONS.
6. SUBSTRATES MUST BE CLEAN AND DRY.
7. SELF-ADHERED MEMBRANES MAY REQUIRE A PRIMER FOR OPTIMAL ADHESION TO SOME SURFACES AND/OR SUBSTRATE TEMPERATURES.
8. ROLL SELF-ADHERED MEMBRANES TO OBTAIN CONTINUOUS ADHESION.
9. VERIFY WEATHER-RESISTIVE BARRIER IS FREE FROM PROTRUSIONS OR DAMAGE PRIOR TO CLADDING INSTALLATION.
10. CONTACT HENRY AT 800-773-4777 FOR TECHNICAL ASSISTANCE.



A CARLISLE COMPANY

999 N. Pacific Coast Highway, Suite 800
El Segundo, CA 90245
800-486-1278 • www.henry.com

**BLUESKIN VP100 SELF-ADHERED AIR BARRIER
FLANGED WINDOW - METHOD A1**

**WINDOW INSTALLATION WITH PAN FLASHING AT SILL
FLASHING INSTALLED AFTER WRB - INSTALLATION SEQUENCE**

MANUFACTURER INSTALLATION GUIDELINES ARE FOR REFERENCE ONLY. HENRY DOES NOT ASSUME RESPONSIBILITY FOR ERRORS OR DEVIATIONS IN DESIGN OR ENGINEERING. PROJECT SPECIFIC VERIFICATION IS RECOMMENDED PRIOR TO INSTALLATION. DETAILS ARE NOT TO SCALE. REFER TO PRODUCT SPECIFIC TECHNICAL DATA SHEET FOR PRODUCT INFORMATION, RECOMMENDED AUXILIARY COMPONENTS AND INSTALLATION INSTRUCTIONS.

04-18-2022

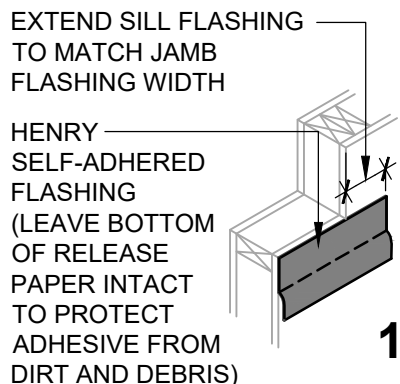
PAGE 3 OF 3

VPWRB-6A1-P2

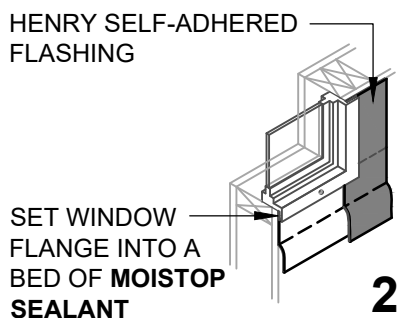
THE DEPICTED DETAIL SHOWS ONE OF THE SEVERAL COMMONLY ACCEPTED METHODS OF WINDOW INSTALLATION.



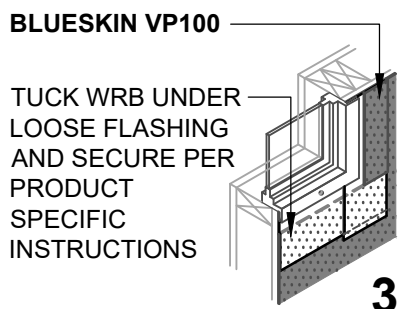
**HENRY 1-2-3 MOISTURE CONTROL SYSTEM
WEATHER-RESISTIVE BARRIER (WRB)
INSTALLATION GUIDELINES**



1

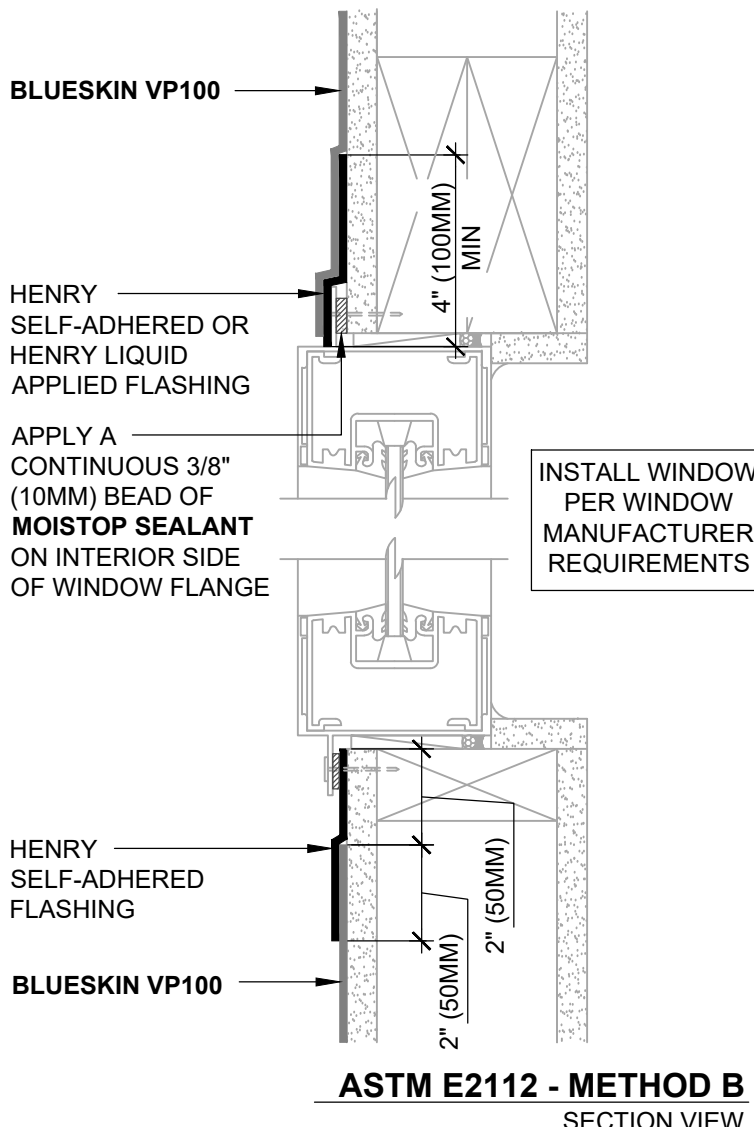


2



3

WINDOW FLASHING
ISOMETRIC VIEW



INSTALL WINDOW PER WINDOW MANUFACTURER REQUIREMENTS

NOTES

1. VISIT WWW.HENRY.COM/WARRANTY FOR ELIGIBILITY REQUIREMENTS OF THE 15-YEAR RESIDENTIAL AND LIGHT COMMERCIAL HENRY 1-2-3 MOISTURE CONTROL SYSTEM WARRANTY.
2. HENRY OFFERS **BLUESKIN VP100** IN THE UNITED STATES AND CANADA. PRODUCT AVAILABILITY AND WARRANTY OPTIONS MAY VARY BY LOCATION. REFER TO THE HENRY **BLUESKIN VP100** GUIDE SPECIFICATION FOR RECOMMENDED FLASHINGS, SEALANTS, AND SYSTEM INFORMATION.
3. INSTALLATION "METHOD B" REFERS TO COMMON WINDOWS (SURFACE MOUNTED). INSTALL WINDOW PER WINDOW MANUFACTURER REQUIREMENTS.
4. INSTALLATIONS WITHOUT A DRAINAGE SILL PAN ARE LIMITED TO LOW WIND AND WATER EXPOSURE CONDITIONS.
5. SEE PRODUCT SPECIFIC TECHNICAL DATA SHEET FOR ROLL SIZES, MAXIMUM UV EXPOSURE, COMPATIBILITY CONCERNS, APPLICATION TEMPERATURES AND SERVICE TEMPERATURE LIMITATIONS.
6. CLADDING, INSULATION, AND OPTIONAL INTERIOR VAPOR BARRIER NOT SHOWN FOR CLARITY. REFER TO LOCAL CODE ORDINANCES FOR INSULATION AND VAPOR BARRIER REQUIREMENTS.
7. SUBSTRATES MUST BE CLEAN AND DRY.
8. SELF-ADHERED MEMBRANES MAY REQUIRE A PRIMER FOR OPTIMAL ADHESION TO SOME SURFACES AND/OR SUBSTRATE TEMPERATURES. REFER TO PRODUCT SPECIFIC TECHNICAL DATA SHEET FOR PRIMER REQUIREMENTS.
9. VERIFY WEATHER-RESISTIVE BARRIER IS FREE FROM PROTRUSIONS OR DAMAGE PRIOR TO CLADDING INSTALLATION.
10. CONTACT HENRY AT 800-773-4777 FOR TECHNICAL ASSISTANCE.



A CARLISLE COMPANY

999 N. Pacific Coast Highway, Suite 800
El Segundo, CA 90245
800-486-1278 • www.henry.com

**BLUESKIN VP100 SELF-ADHERED AIR BARRIER
FLANGED WINDOW - METHOD B
WINDOW INSTALLATION FOR LOW WIND AND WATER EXPOSURE
FLASHING INSTALLED BEFORE WRB**

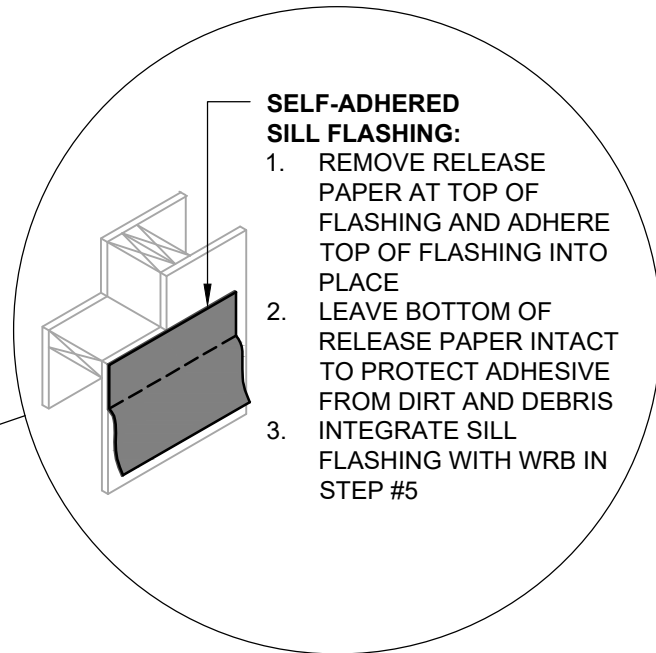
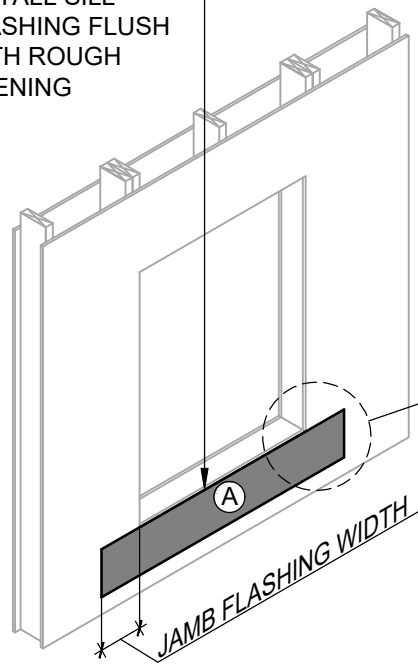
MANUFACTURER INSTALLATION GUIDELINES ARE FOR REFERENCE ONLY. HENRY DOES NOT ASSUME RESPONSIBILITY FOR ERRORS OR DEVIATIONS IN DESIGN OR ENGINEERING. PROJECT SPECIFIC VERIFICATION IS RECOMMENDED PRIOR TO INSTALLATION. DETAILS ARE NOT TO SCALE. REFER TO PRODUCT SPECIFIC TECHNICAL DATA SHEET FOR PRODUCT INFORMATION, RECOMMENDED AUXILIARY COMPONENTS AND INSTALLATION INSTRUCTIONS.

04-18-2022

PAGE 1 OF 1

VPWRB-6B-L1

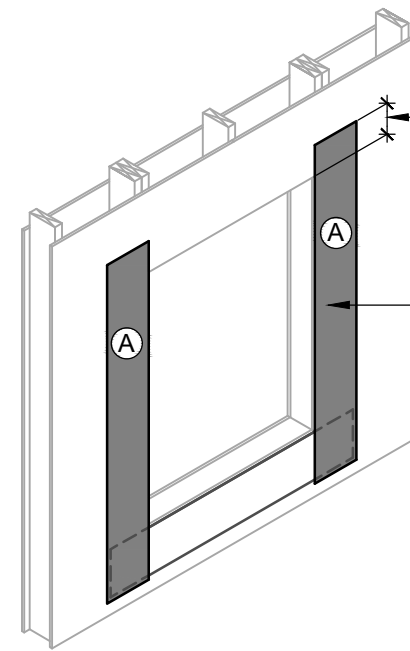
INSTALL SILL FLASHING FLUSH WITH ROUGH OPENING



SELF-ADHERED SILL FLASHING:

1. REMOVE RELEASE PAPER AT TOP OF FLASHING AND ADHERE TOP OF FLASHING INTO PLACE
2. LEAVE BOTTOM OF RELEASE PAPER INTACT TO PROTECT ADHESIVE FROM DIRT AND DEBRIS
3. INTEGRATE SILL FLASHING WITH WRB IN STEP #5

1 SILL FLASHING AND PREPARATION



INSTALL JAMB FLASHING 1" (25MM) BELOW TOP OF HEADER FLASHING

INSTALL JAMB FLASHING FLUSH WITH ROUGH OPENING

2 JAMB FLASHING INSTALLATION

Henry RESIDENTIAL AND LIGHT COMMERCIAL WEATHER-RESISTIVE BARRIER ASSEMBLY
A CARLISLE COMPANY



HENRY 1-2-3 MOISTURE CONTROL SYSTEM WEATHER-RESISTIVE BARRIER (WRB) INSTALLATION GUIDELINES

WEATHER-RESISTIVE BARRIER (WRB) COMPONENTS

- (A) HENRY SELF-ADHERED FLASHING
- (B) HENRY MOISTOP SEALANT
- (C) HENRY SELF-ADHERED OR HENRY LIQUID APPLIED FLASHING
- (D) BLUESKIN VP100

NOTES

1. THE DEPICTED DETAIL SHOWS ONE OF THE SEVERAL COMMONLY ACCEPTED METHODS OF WINDOW INSTALLATION.
2. VISIT WWW.HENRY.COM/WARRANTY FOR ELIGIBILITY REQUIREMENTS OF THE 15-YEAR RESIDENTIAL AND LIGHT COMMERCIAL HENRY 1-2-3 MOISTURE CONTROL SYSTEM WARRANTY.
3. HENRY OFFERS **BLUESKIN VP100** IN THE UNITED STATES AND CANADA. PRODUCT AVAILABILITY AND WARRANTY OPTIONS MAY VARY BY LOCATION. REFER TO THE HENRY **BLUESKIN VP100** GUIDE SPECIFICATION FOR RECOMMENDED FLASHINGS, SEALANTS, AND SYSTEM INFORMATION.



999 N. Pacific Coast Highway, Suite 800
El Segundo, CA 90245
800-486-1278 • www.henry.com

**BLUESKIN VP100 SELF-ADHERED AIR BARRIER
FLANGED WINDOW - METHOD B
WINDOW INSTALLATION FOR LOW WIND AND WATER EXPOSURE
FLASHING INSTALLED BEFORE WRB - INSTALLATION SEQUENCE**

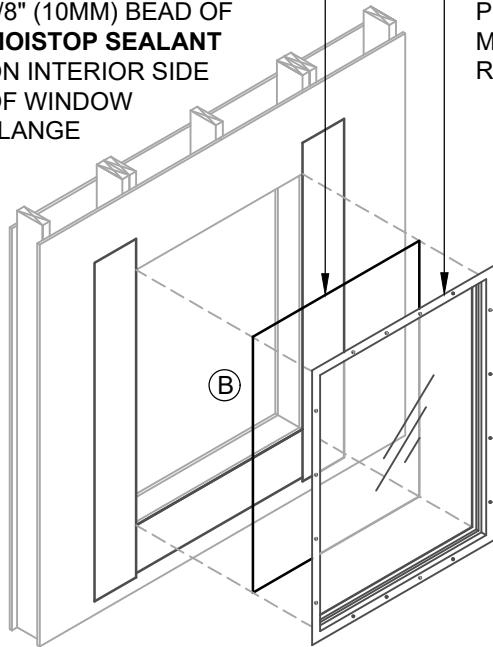
MANUFACTURER INSTALLATION GUIDELINES ARE FOR REFERENCE ONLY. HENRY DOES NOT ASSUME RESPONSIBILITY FOR ERRORS OR DEVIATIONS IN DESIGN OR ENGINEERING. PROJECT SPECIFIC VERIFICATION IS RECOMMENDED PRIOR TO INSTALLATION. DETAILS ARE NOT TO SCALE. REFER TO PRODUCT SPECIFIC TECHNICAL DATA SHEET FOR PRODUCT INFORMATION, RECOMMENDED AUXILIARY COMPONENTS AND INSTALLATION INSTRUCTIONS.

04-18-2022

PAGE 1 OF 2

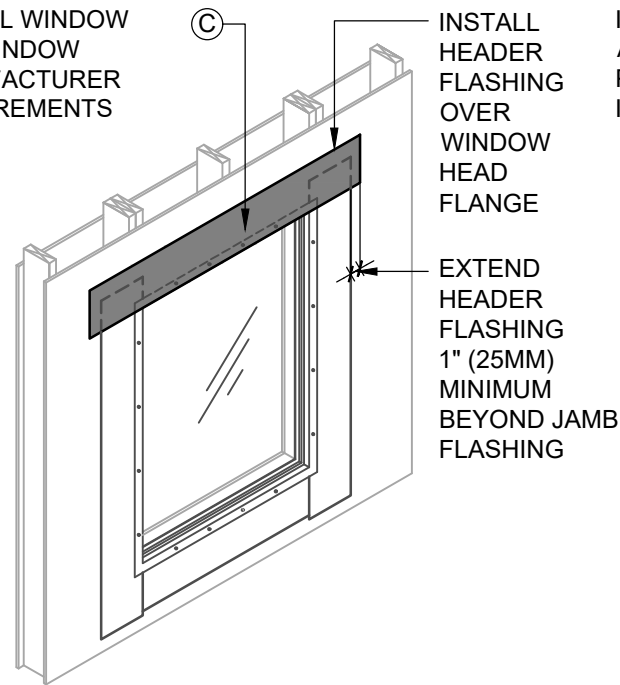
VPWRB-6B-L2

APPLY A CONTINUOUS 3/8" (10MM) BEAD OF **MOISTOP SEALANT** ON INTERIOR SIDE OF WINDOW FLANGE



3 WINDOW INSTALLATION

INSTALL WINDOW PER WINDOW MANUFACTURER REQUIREMENTS

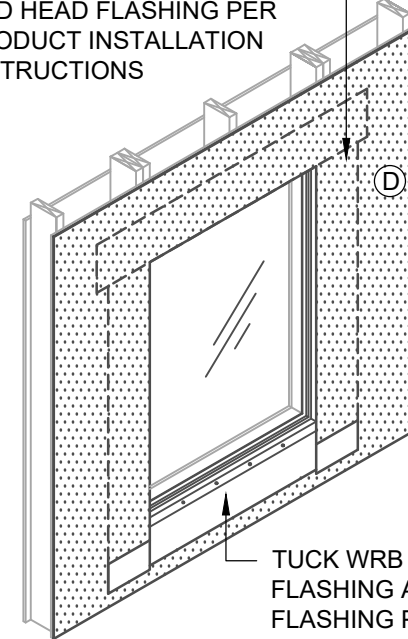


4 WINDOW INSTALLATION

INSTALL HEADER FLASHING OVER WINDOW HEAD FLANGE

EXTEND HEADER FLASHING 1" (25MM) MINIMUM BEYOND JAMB FLASHING

INSTALL WRB OVER JAMB AND HEAD FLASHING PER PRODUCT INSTALLATION INSTRUCTIONS



5 WEATHER-RESISTIVE BARRIER (WRB)

TUCK WRB UNDER LOOSE SILL FLASHING AND SECURE SILL FLASHING PER PRODUCT SPECIFIC INSTRUCTIONS

INSTALLATION GUIDELINES AND LIMITATIONS

1. INSTALLATION "METHOD B" REFERS TO COMMON WINDOWS (SURFACE MOUNTED). INSTALL WINDOW PER WINDOW MANUFACTURER REQUIREMENTS.
2. SEE PRODUCT SPECIFIC TECHNICAL DATA SHEET FOR ROLL SIZES, MAXIMUM UV EXPOSURE, COMPATIBILITY CONCERNS, APPLICATION TEMPERATURES AND SERVICE TEMPERATURE LIMITATIONS.
3. REFER TO THE HENRY **BLUESKIN VP100** GUIDE SPECIFICATION FOR RECOMMENDED FLASHINGS.
4. FLASHINGS MAY NOT BE COMPATIBLE WITH ALL SEALANTS. USE **MOISTOP SEALANT** OR VERIFY COMPATIBILITY AS DIRECTED IN AAMA 713.
5. INSTALLATIONS WITHOUT A DRAINAGE SILL PAN ARE LIMITED TO LOW WIND AND WATER EXPOSURE CONDITIONS.
6. USE EXTERIOR GRADE FASTENERS TO INSTALL AND SECURE FLASHINGS AND WEATHER-RESISTIVE BARRIER UNTIL COVERED WITH EXTERIOR CLADDING.
7. SUBSTRATES MUST BE CLEAN AND DRY.
8. SELF-ADHERED FLASHING MAY REQUIRE A PRIMER FOR OPTIMAL ADHESION TO SOME SURFACES AND/OR SUBSTRATE TEMPERATURES.
9. ROLL SELF-ADHERED FLASHING TO OBTAIN CONTINUOUS ADHESION.
10. VERIFY WEATHER-RESISTIVE BARRIER IS FREE FROM PROTRUSIONS OR DAMAGE PRIOR TO CLADDING INSTALLATION.
11. CONTACT HENRY AT 800-773-4777 FOR TECHNICAL ASSISTANCE.



A CARLISLE COMPANY

999 N. Pacific Coast Highway, Suite 800
El Segundo, CA 90245
800-486-1278 • www.henry.com

**BLUESKIN VP100 SELF-ADHERED AIR BARRIER
FLANGED WINDOW - METHOD B**

**WINDOW INSTALLATION FOR LOW WIND AND WATER EXPOSURE
FLASHING INSTALLED BEFORE WRB - INSTALLATION SEQUENCE**

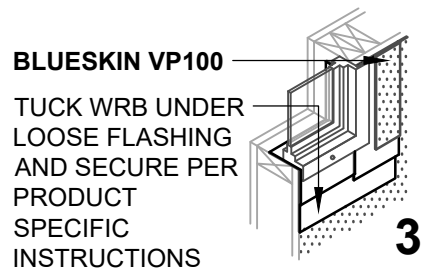
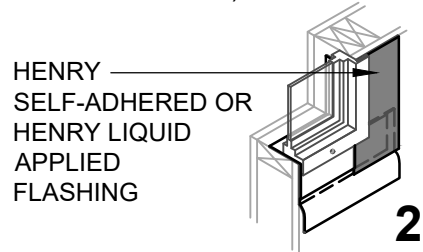
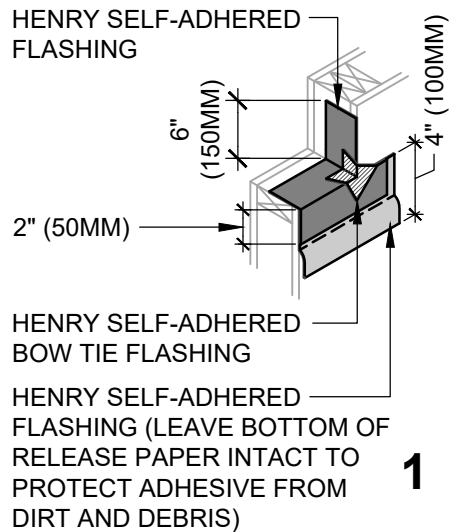
MANUFACTURER INSTALLATION GUIDELINES ARE FOR REFERENCE ONLY. HENRY DOES NOT ASSUME RESPONSIBILITY FOR ERRORS OR DEVIATIONS IN DESIGN OR ENGINEERING. PROJECT SPECIFIC VERIFICATION IS RECOMMENDED PRIOR TO INSTALLATION. DETAILS ARE NOT TO SCALE. REFER TO PRODUCT SPECIFIC TECHNICAL DATA SHEET FOR PRODUCT INFORMATION, RECOMMENDED AUXILIARY COMPONENTS AND INSTALLATION INSTRUCTIONS.

04-18-2022

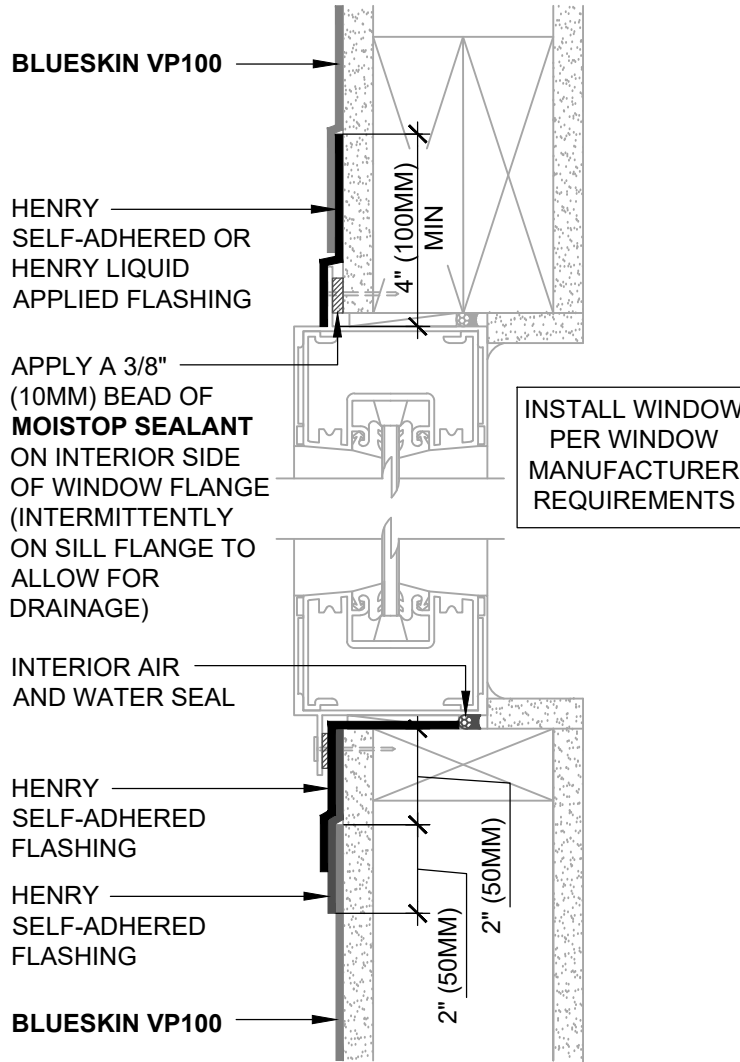
PAGE 2 OF 2

VPWRB-6B-L2

THE DEPICTED DETAIL SHOWS ONE OF THE SEVERAL COMMONLY ACCEPTED METHODS OF WINDOW INSTALLATION.



WINDOW FLASHING
ISOMETRIC VIEW



ASTM E2112 - METHOD B
SECTION VIEW



**HENRY 1-2-3 MOISTURE CONTROL SYSTEM
WEATHER-RESISTIVE BARRIER (WRB)
INSTALLATION GUIDELINES**

NOTES

1. VISIT WWW.HENRY.COM/WARRANTY FOR ELIGIBILITY REQUIREMENTS OF THE 15-YEAR RESIDENTIAL AND LIGHT COMMERCIAL HENRY 1-2-3 MOISTURE CONTROL SYSTEM WARRANTY.
2. HENRY OFFERS **BLUESKIN VP100** IN THE UNITED STATES AND CANADA. PRODUCT AVAILABILITY AND WARRANTY OPTIONS MAY VARY BY LOCATION. REFER TO THE HENRY **BLUESKIN VP100** GUIDE SPECIFICATION FOR RECOMMENDED FLASHINGS, SEALANTS, AND SYSTEM INFORMATION.
3. INSTALLATION "METHOD B" REFERS TO COMMON WINDOWS (SURFACE MOUNTED). INSTALL WINDOW PER WINDOW MANUFACTURER REQUIREMENTS.
4. PROVIDE INTERIOR AIR AND WATER SEAL AT WINDOW PERIMETER PER WINDOW MANUFACTURER RECOMMENDATIONS.
5. SEE PRODUCT SPECIFIC TECHNICAL DATA SHEET FOR ROLL SIZES, MAXIMUM UV EXPOSURE, COMPATIBILITY CONCERNS, APPLICATION TEMPERATURES AND SERVICE TEMPERATURE LIMITATIONS.
6. CLADDING, INSULATION, AND OPTIONAL INTERIOR VAPOR BARRIER NOT SHOWN FOR CLARITY. REFER TO LOCAL CODE ORDINANCES FOR INSULATION AND VAPOR BARRIER REQUIREMENTS.
7. SUBSTRATES MUST BE CLEAN AND DRY.
8. SELF-ADHERED MEMBRANES MAY REQUIRE A PRIMER FOR OPTIMAL ADHESION TO SOME SURFACES AND/OR SUBSTRATE TEMPERATURES. REFER TO PRODUCT SPECIFIC TECHNICAL DATA SHEET FOR PRIMER REQUIREMENTS.
9. VERIFY WEATHER-RESISTIVE BARRIER IS FREE FROM PROTRUSIONS OR DAMAGE PRIOR TO CLADDING INSTALLATION.
10. CONTACT HENRY AT 800-773-4777 FOR TECHNICAL ASSISTANCE.



A CARULISE COMPANY

999 N. Pacific Coast Highway, Suite 800
El Segundo, CA 90245
800-486-1278 • www.henry.com

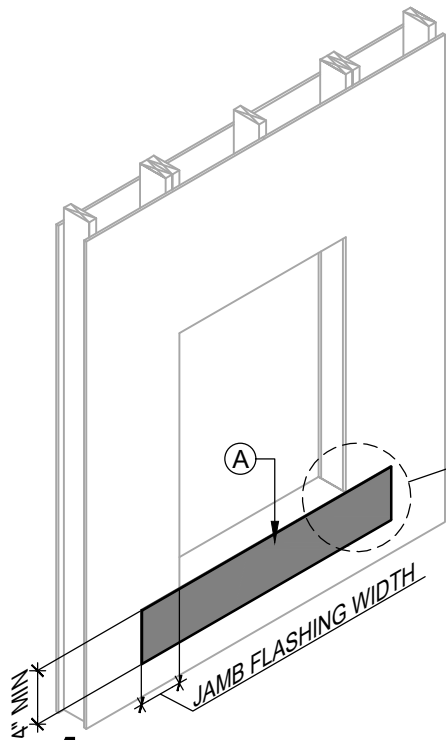
**BLUESKIN VP100 SELF-ADHERED AIR BARRIER
FLANGED WINDOW - METHOD B
WINDOW INSTALLATION WITH PAN FLASHING AT SILL
FLASHING INSTALLED BEFORE WRB**

MANUFACTURER INSTALLATION GUIDELINES ARE FOR REFERENCE ONLY. HENRY DOES NOT ASSUME RESPONSIBILITY FOR ERRORS OR DEVIATIONS IN DESIGN OR ENGINEERING. PROJECT SPECIFIC VERIFICATION IS RECOMMENDED PRIOR TO INSTALLATION. DETAILS ARE NOT TO SCALE. REFER TO PRODUCT SPECIFIC TECHNICAL DATA SHEET FOR PRODUCT INFORMATION, RECOMMENDED AUXILIARY COMPONENTS AND INSTALLATION INSTRUCTIONS.

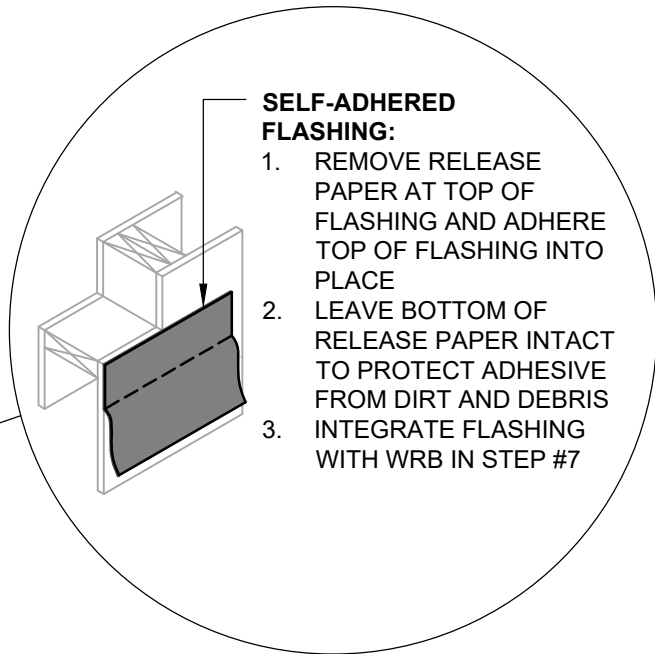
04-18-2022

PAGE 1 OF 1

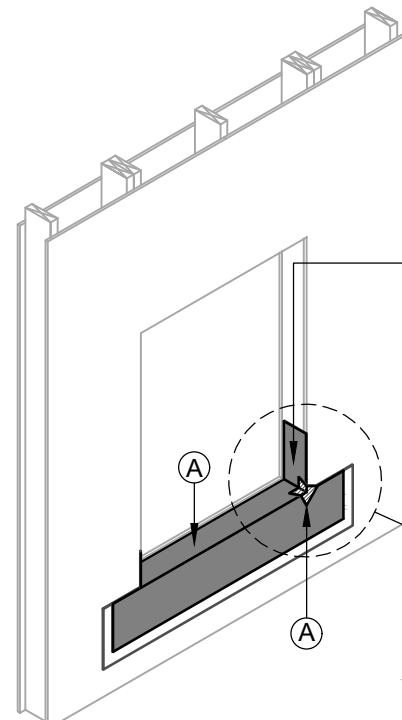
VPWRB-6B-P1



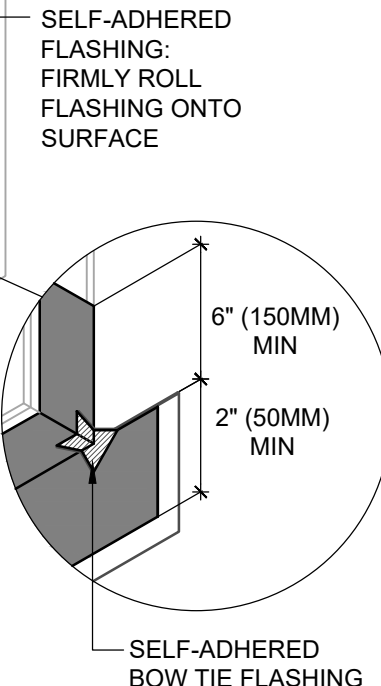
1 SILL FLASHING PREPARATION



- SELF-ADHERED FLASHING:**
1. REMOVE RELEASE PAPER AT TOP OF FLASHING AND ADHERE TOP OF FLASHING INTO PLACE
 2. LEAVE BOTTOM OF RELEASE PAPER INTACT TO PROTECT ADHESIVE FROM DIRT AND DEBRIS FROM STEP #7
 3. INTEGRATE FLASHING WITH WRB IN STEP #7



2 SILL FLASHING INSTALLATION



Henry RESIDENTIAL AND LIGHT COMMERCIAL WEATHER-RESISTIVE BARRIER ASSEMBLY
A CARLISLE COMPANY

WEATHER-RESISTIVE BARRIER (WRB) COMPONENTS

- (A) HENRY SELF-ADHERED FLASHING
- (B) HENRY SELF-ADHERED OR HENRY LIQUID APPLIED FLASHING
- (C) HENRY MOISTOP SEALANT
- (D) BLUESKIN VP100



HENRY 1-2-3 MOISTURE CONTROL SYSTEM WEATHER-RESISTIVE BARRIER (WRB) INSTALLATION GUIDELINES

NOTES

1. THE DEPICTED DETAIL SHOWS ONE OF THE SEVERAL COMMONLY ACCEPTED METHODS OF WINDOW INSTALLATION.
2. VISIT WWW.HENRY.COM/WARRANTY FOR ELIGIBILITY REQUIREMENTS OF THE 15-YEAR RESIDENTIAL AND LIGHT COMMERCIAL HENRY 1-2-3 MOISTURE CONTROL SYSTEM WARRANTY.
3. HENRY OFFERS **BLUESKIN VP100** IN THE UNITED STATES AND CANADA. PRODUCT AVAILABILITY AND WARRANTY OPTIONS MAY VARY BY LOCATION. REFER TO THE HENRY **BLUESKIN VP100** GUIDE SPECIFICATION FOR RECOMMENDED FLASHINGS, SEALANTS, AND SYSTEM INFORMATION.

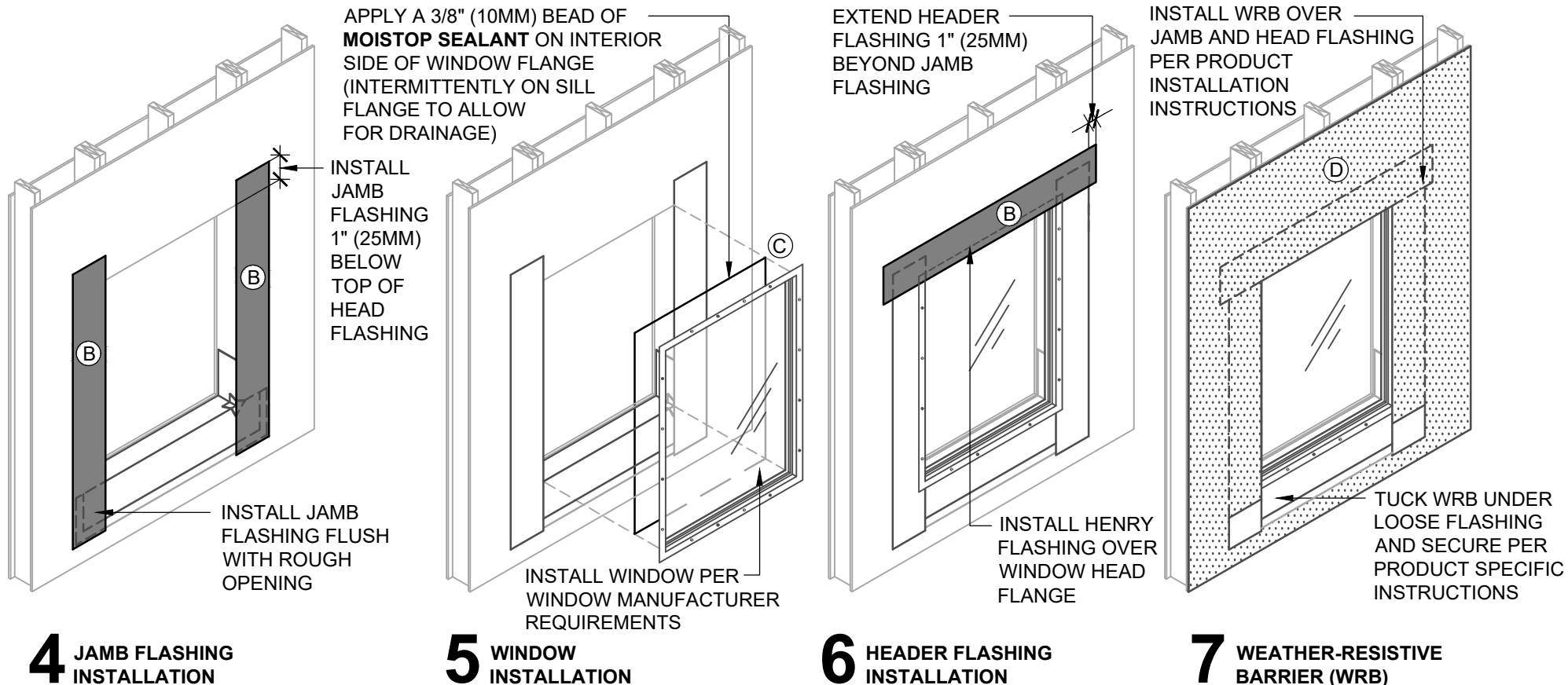


BLUESKIN VP100 SELF-ADHERED AIR BARRIER FLANGED WINDOW - METHOD B

WINDOW INSTALLATION WITH PAN FLASHING AT SILL FLASHING INSTALLED BEFORE WRB - INSTALLATION SEQUENCE

999 N. Pacific Coast Highway, Suite 800
 El Segundo, CA 90245
 800-486-1278 • www.henry.com

MANUFACTURER INSTALLATION GUIDELINES ARE FOR REFERENCE ONLY. HENRY DOES NOT ASSUME RESPONSIBILITY FOR ERRORS OR DEVIATIONS IN DESIGN OR ENGINEERING. PROJECT SPECIFIC VERIFICATION IS RECOMMENDED PRIOR TO INSTALLATION. DETAILS ARE NOT TO SCALE. REFER TO PRODUCT SPECIFIC TECHNICAL DATA SHEET FOR PRODUCT INFORMATION, RECOMMENDED AUXILIARY COMPONENTS AND INSTALLATION INSTRUCTIONS.



INSTALLATION GUIDELINES AND LIMITATIONS

1. INSTALLATION "METHOD B" REFERS TO COMMON WINDOWS (SURFACE MOUNTED). INSTALL WINDOW PER WINDOW MANUFACTURER REQUIREMENTS.
2. SEE PRODUCT SPECIFIC TECHNICAL DATA SHEET FOR ROLL SIZES, MAXIMUM UV EXPOSURE, COMPATIBILITY CONCERNS, APPLICATION TEMPERATURES AND SERVICE TEMPERATURE LIMITATIONS.
3. REFER TO THE HENRY **BLUESKIN VP100** GUIDE SPECIFICATION FOR RECOMMENDED FLASHINGS.
4. FLASHINGS MAY NOT BE COMPATIBLE WITH ALL SEALANTS. USE **MOISTOP SEALANT** OR VERIFY COMPATIBILITY AS DIRECTED IN AAMA 713.
5. INSTALLATIONS WITHOUT A DRAINAGE SILL PAN ARE LIMITED TO LOW WIND AND WATER EXPOSURE CONDITIONS.
6. USE EXTERIOR GRADE FASTENERS TO INSTALL AND SECURE FLASHINGS AND WEATHER-RESISTIVE BARRIER UNTIL COVERED WITH EXTERIOR CLADDING.
7. SUBSTRATES MUST BE CLEAN AND DRY.
8. SELF-ADHERED FLASHING MAY REQUIRE A PRIMER FOR OPTIMAL ADHESION TO SOME SURFACES AND/OR SUBSTRATE TEMPERATURES.
9. ROLL SELF-ADHERED FLASHING TO OBTAIN CONTINUOUS ADHESION.
10. VERIFY WEATHER-RESISTIVE BARRIER IS FREE FROM PROTRUSIONS OR DAMAGE PRIOR TO CLADDING INSTALLATION.
11. CONTACT HENRY AT 800-773-4777 FOR TECHNICAL ASSISTANCE.



A CARLISLE COMPANY

999 N. Pacific Coast Highway, Suite 800
El Segundo, CA 90245
800-486-1278 • www.henry.com

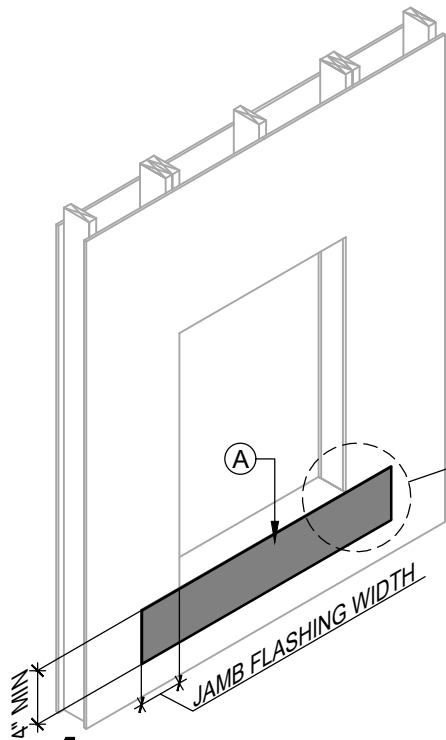
**BLUESKIN VP100 SELF-ADHERED AIR BARRIER
FLANGED WINDOW - METHOD B
WINDOW INSTALLATION WITH PAN FLASHING AT SILL
FLASHING INSTALLED BEFORE WRB - INSTALLATION SEQUENCE**

MANUFACTURER INSTALLATION GUIDELINES ARE FOR REFERENCE ONLY. HENRY DOES NOT ASSUME RESPONSIBILITY FOR ERRORS OR DEVIATIONS IN DESIGN OR ENGINEERING. PROJECT SPECIFIC VERIFICATION IS RECOMMENDED PRIOR TO INSTALLATION. DETAILS ARE NOT TO SCALE. REFER TO PRODUCT SPECIFIC TECHNICAL DATA SHEET FOR PRODUCT INFORMATION, RECOMMENDED AUXILIARY COMPONENTS AND INSTALLATION INSTRUCTIONS.

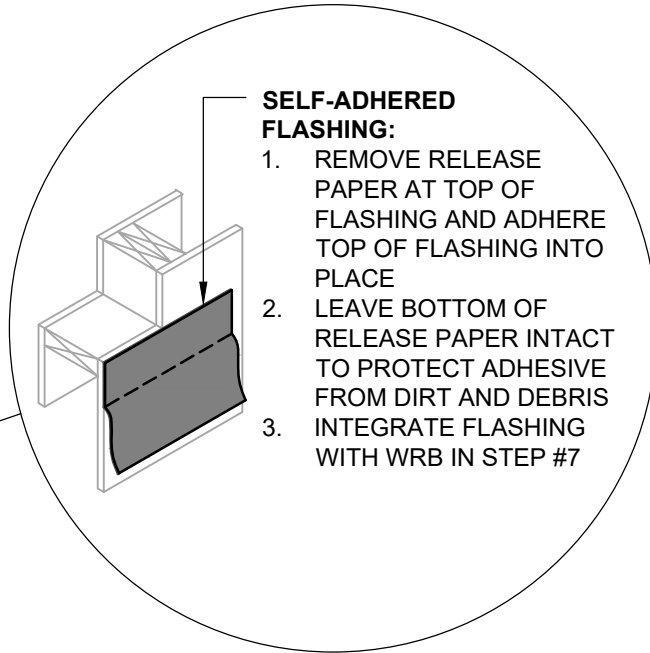
04-18-2022

PAGE 2 OF 2

VPWRB-6B-P2

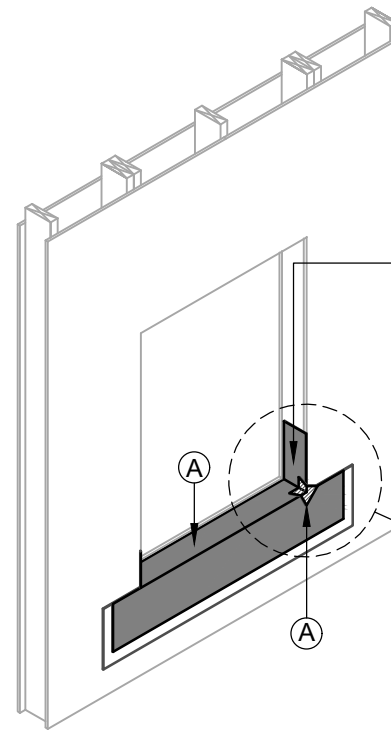


1 SILL FLASHING PREPARATION



SELF-ADHERED FLASHING:

1. REMOVE RELEASE PAPER AT TOP OF FLASHING AND ADHERE TOP OF FLASHING INTO PLACE
2. LEAVE BOTTOM OF RELEASE PAPER INTACT TO PROTECT ADHESIVE FROM DIRT AND DEBRIS FROM DIRT AND DEBRIS
3. INTEGRATE FLASHING WITH WRB IN STEP #7



2 SILL FLASHING INSTALLATION

Henry RESIDENTIAL AND LIGHT COMMERCIAL WEATHER-RESISTIVE BARRIER ASSEMBLY
A CARLISLE COMPANY

WEATHER-RESISTIVE BARRIER (WRB) COMPONENTS

- (A) HENRY SELF-ADHERED FLASHING
- (B) HENRY SELF-ADHERED OR HENRY LIQUID APPLIED FLASHING
- (C) HENRY MOISTOP SEALANT
- (D) BLUESKIN VP100



HENRY 1-2-3 MOISTURE CONTROL SYSTEM WEATHER-RESISTIVE BARRIER (WRB) INSTALLATION GUIDELINES

NOTES

1. THE DEPICTED DETAIL SHOWS ONE OF THE SEVERAL COMMONLY ACCEPTED METHODS OF WINDOW INSTALLATION.
2. VISIT WWW.HENRY.COM/WARRANTY FOR ELIGIBILITY REQUIREMENTS OF THE 15-YEAR RESIDENTIAL AND LIGHT COMMERCIAL HENRY 1-2-3 MOISTURE CONTROL SYSTEM WARRANTY.
3. HENRY OFFERS **BLUESKIN VP100** IN THE UNITED STATES AND CANADA. PRODUCT AVAILABILITY AND WARRANTY OPTIONS MAY VARY BY LOCATION. REFER TO THE HENRY **BLUESKIN VP100** GUIDE SPECIFICATION FOR RECOMMENDED FLASHINGS, SEALANTS, AND SYSTEM INFORMATION.

Henry
A CARLISLE COMPANY

999 N. Pacific Coast Highway, Suite 800
 El Segundo, CA 90245
 800-486-1278 • www.henry.com

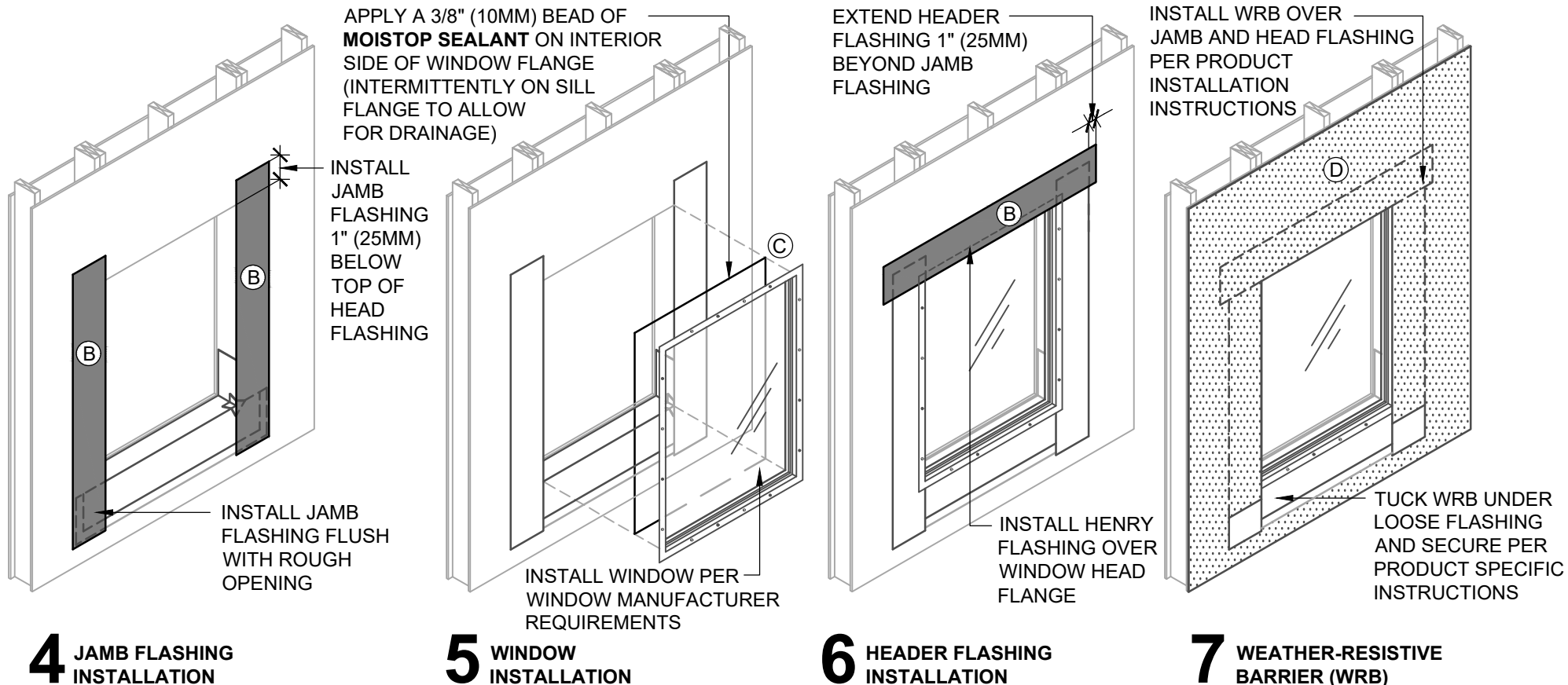
BLUESKIN VP100 SELF-ADHERED AIR BARRIER FLANGED WINDOW - METHOD B WINDOW INSTALLATION WITH PAN FLASHING AT SILL FLASHING INSTALLED BEFORE WRB - INSTALLATION SEQUENCE

MANUFACTURER INSTALLATION GUIDELINES ARE FOR REFERENCE ONLY. HENRY DOES NOT ASSUME RESPONSIBILITY FOR ERRORS OR DEVIATIONS IN DESIGN OR ENGINEERING. PROJECT SPECIFIC VERIFICATION IS RECOMMENDED PRIOR TO INSTALLATION. DETAILS ARE NOT TO SCALE. REFER TO PRODUCT SPECIFIC TECHNICAL DATA SHEET FOR PRODUCT INFORMATION, RECOMMENDED AUXILIARY COMPONENTS AND INSTALLATION INSTRUCTIONS.

04-18-2022

PAGE 1 OF 2

VPWRB-6B-P2



INSTALLATION GUIDELINES AND LIMITATIONS

1. INSTALLATION "METHOD B" REFERS TO COMMON WINDOWS (SURFACE MOUNTED). INSTALL WINDOW PER WINDOW MANUFACTURER REQUIREMENTS.
2. SEE PRODUCT SPECIFIC TECHNICAL DATA SHEET FOR ROLL SIZES, MAXIMUM UV EXPOSURE, COMPATIBILITY CONCERNS, APPLICATION TEMPERATURES AND SERVICE TEMPERATURE LIMITATIONS.
3. REFER TO THE HENRY **BLUESKIN VP100** GUIDE SPECIFICATION FOR RECOMMENDED FLASHINGS.
4. FLASHINGS MAY NOT BE COMPATIBLE WITH ALL SEALANTS. USE **MOISTOP SEALANT** OR VERIFY COMPATIBILITY AS DIRECTED IN AAMA 713.
5. INSTALLATIONS WITHOUT A DRAINAGE SILL PAN ARE LIMITED TO LOW WIND AND WATER EXPOSURE CONDITIONS.
6. USE EXTERIOR GRADE FASTENERS TO INSTALL AND SECURE FLASHINGS AND WEATHER-RESISTIVE BARRIER UNTIL COVERED WITH EXTERIOR CLADDING.
7. SUBSTRATES MUST BE CLEAN AND DRY.
8. SELF-ADHERED FLASHING MAY REQUIRE A PRIMER FOR OPTIMAL ADHESION TO SOME SURFACES AND/OR SUBSTRATE TEMPERATURES.
9. ROLL SELF-ADHERED FLASHING TO OBTAIN CONTINUOUS ADHESION.
10. VERIFY WEATHER-RESISTIVE BARRIER IS FREE FROM PROTRUSIONS OR DAMAGE PRIOR TO CLADDING INSTALLATION.
11. CONTACT HENRY AT 800-773-4777 FOR TECHNICAL ASSISTANCE.



A CARLISLE COMPANY

999 N. Pacific Coast Highway, Suite 800
El Segundo, CA 90245
800-486-1278 • www.henry.com

**BLUESKIN VP100 SELF-ADHERED AIR BARRIER
FLANGED WINDOW - METHOD B
WINDOW INSTALLATION WITH PAN FLASHING AT SILL
FLASHING INSTALLED BEFORE WRB - INSTALLATION SEQUENCE**

MANUFACTURER INSTALLATION GUIDELINES ARE FOR REFERENCE ONLY. HENRY DOES NOT ASSUME RESPONSIBILITY FOR ERRORS OR DEVIATIONS IN DESIGN OR ENGINEERING. PROJECT SPECIFIC VERIFICATION IS RECOMMENDED PRIOR TO INSTALLATION. DETAILS ARE NOT TO SCALE. REFER TO PRODUCT SPECIFIC TECHNICAL DATA SHEET FOR PRODUCT INFORMATION, RECOMMENDED AUXILIARY COMPONENTS AND INSTALLATION INSTRUCTIONS.

04-18-2022

PAGE 2 OF 2

VPWRB-6B-P2

THE DEPICTED DETAIL SHOWS ONE OF THE SEVERAL COMMONLY ACCEPTED METHODS OF WINDOW INSTALLATION.



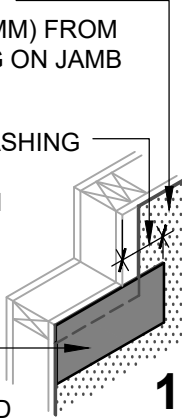
**HENRY 1-2-3 MOISTURE CONTROL SYSTEM
WEATHER-RESISTIVE BARRIER (WRB)
INSTALLATION GUIDELINES**

BLUESKIN VP100

(CUT WRB 2" (50MM) FROM ROUGH OPENING ON JAMB AND SILL)

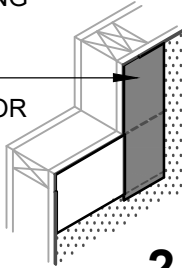
EXTEND SILL FLASHING TO MATCH JAMB FLASHING WIDTH

HENRY SELF-ADHERED OR HENRY LIQUID APPLIED FLASHING



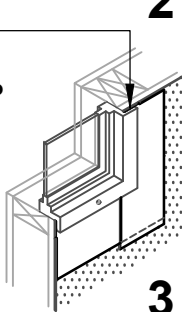
1

HENRY SELF-ADHERED OR HENRY LIQUID APPLIED FLASHING



2

SET WINDOW FLANGE INTO A BED OF MOISTOP SEALANT



3

WINDOW FLASHING
ISOMETRIC VIEW

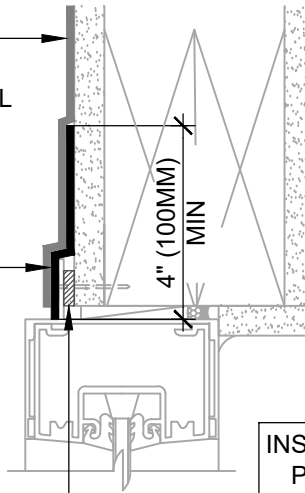
BLUESKIN VP100 (SEE SEQUENCE INSTALLATION DETAIL FOR HEADER PREPARATION GUIDELINES)

HENRY SELF-ADHERED OR HENRY LIQUID APPLIED FLASHING

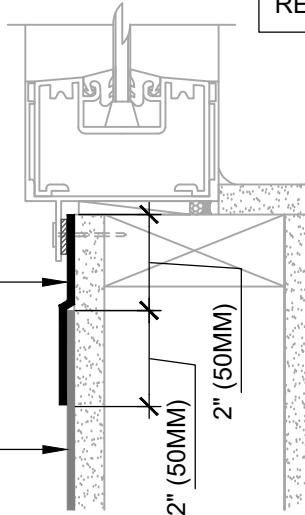
APPLY A CONTINUOUS 3/8" (10MM) BEAD OF MOISTOP SEALANT ON INTERIOR SIDE OF WINDOW FLANGE

HENRY SELF-ADHERED OR HENRY LIQUID APPLIED FLASHING

BLUESKIN VP100



INSTALL WINDOW PER WINDOW MANUFACTURER REQUIREMENTS



ASTM E2112 - METHOD B1
SECTION VIEW

NOTES

1. VISIT WWW.HENRY.COM/WARRANTY FOR ELIGIBILITY REQUIREMENTS OF THE 15-YEAR RESIDENTIAL AND LIGHT COMMERCIAL HENRY 1-2-3 MOISTURE CONTROL SYSTEM WARRANTY.
2. HENRY OFFERS **BLUESKIN VP100** IN THE UNITED STATES AND CANADA. PRODUCT AVAILABILITY AND WARRANTY OPTIONS MAY VARY BY LOCATION. REFER TO THE HENRY **BLUESKIN VP100** GUIDE SPECIFICATION FOR RECOMMENDED FLASHINGS, SEALANTS, AND SYSTEM INFORMATION.
3. INSTALLATION "METHOD B1" REFERS TO COMMON WINDOWS (SURFACE MOUNTED). INSTALL WINDOW PER WINDOW MANUFACTURER REQUIREMENTS.
4. INSTALLATIONS WITHOUT A DRAINAGE SILL PAN ARE LIMITED TO LOW WIND AND WATER EXPOSURE CONDITIONS.
5. SEE PRODUCT SPECIFIC TECHNICAL DATA SHEET FOR ROLL SIZES, MAXIMUM UV EXPOSURE, COMPATIBILITY CONCERNS, APPLICATION TEMPERATURES AND SERVICE TEMPERATURE LIMITATIONS.
6. CLADDING, INSULATION, AND OPTIONAL INTERIOR VAPOR BARRIER NOT SHOWN FOR CLARITY. REFER TO LOCAL CODE ORDINANCES FOR INSULATION AND VAPOR BARRIER REQUIREMENTS.
7. SUBSTRATES MUST BE CLEAN AND DRY.
8. SELF-ADHERED MEMBRANES MAY REQUIRE A PRIMER FOR OPTIMAL ADHESION TO SOME SURFACES AND/OR SUBSTRATE TEMPERATURES. REFER TO PRODUCT SPECIFIC TECHNICAL DATA SHEET FOR PRIMER REQUIREMENTS.
9. VERIFY WEATHER-RESISTIVE BARRIER IS FREE FROM PROTRUSIONS OR DAMAGE PRIOR TO CLADDING INSTALLATION.
10. CONTACT HENRY AT 800-773-4777 FOR TECHNICAL ASSISTANCE.



A CARLISLE COMPANY

999 N. Pacific Coast Highway, Suite 800
El Segundo, CA 90245
800-486-1278 • www.henry.com

**BLUESKIN VP100 SELF-ADHERED AIR BARRIER
FLANGED WINDOW - METHOD B1
WINDOW INSTALLATION FOR LOW WIND AND WATER EXPOSURE
FLASHING INSTALLED BEFORE WRB**

MANUFACTURER INSTALLATION GUIDELINES ARE FOR REFERENCE ONLY. HENRY DOES NOT ASSUME RESPONSIBILITY FOR ERRORS OR DEVIATIONS IN DESIGN OR ENGINEERING. PROJECT SPECIFIC VERIFICATION IS RECOMMENDED PRIOR TO INSTALLATION. DETAILS ARE NOT TO SCALE. REFER TO PRODUCT SPECIFIC TECHNICAL DATA SHEET FOR PRODUCT INFORMATION, RECOMMENDED AUXILIARY COMPONENTS AND INSTALLATION INSTRUCTIONS.

04-18-2022

PAGE 1 OF 1

VPWRB-6B1-L1

THE DEPICTED DETAIL SHOWS ONE OF THE SEVERAL COMMONLY ACCEPTED METHODS OF WINDOW INSTALLATION.



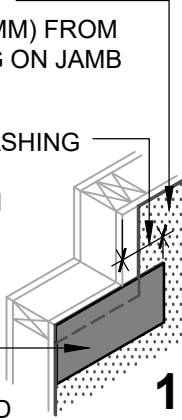
**HENRY 1-2-3 MOISTURE CONTROL SYSTEM
WEATHER-RESISTIVE BARRIER (WRB)
INSTALLATION GUIDELINES**

BLUESKIN VP100

(CUT WRB 2" (50MM) FROM ROUGH OPENING ON JAMB AND SILL)

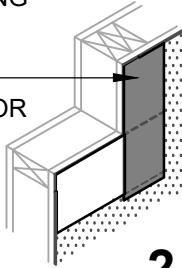
EXTEND SILL FLASHING TO MATCH JAMB FLASHING WIDTH

HENRY SELF-ADHERED OR HENRY LIQUID APPLIED FLASHING



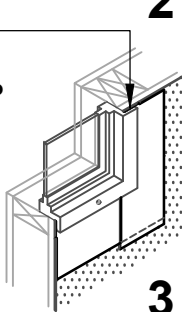
1

HENRY SELF-ADHERED OR HENRY LIQUID APPLIED FLASHING



2

SET WINDOW FLANGE INTO A BED OF MOISTOP SEALANT



3

WINDOW FLASHING
ISOMETRIC VIEW

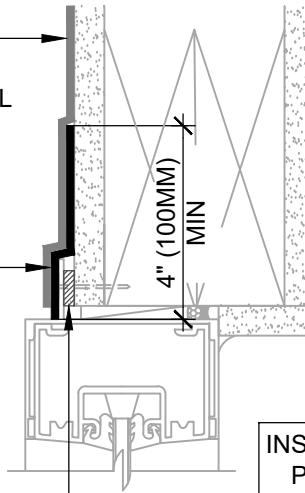
BLUESKIN VP100 (SEE SEQUENCE INSTALLATION DETAIL FOR HEADER PREPARATION GUIDELINES)

HENRY SELF-ADHERED OR HENRY LIQUID APPLIED FLASHING

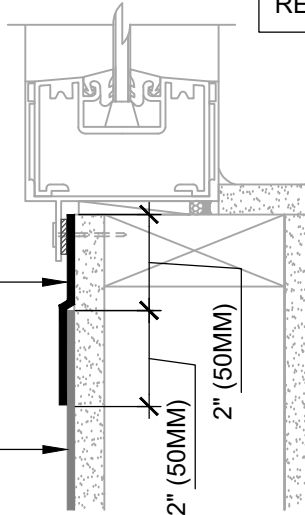
APPLY A CONTINUOUS 3/8" (10MM) BEAD OF MOISTOP SEALANT ON INTERIOR SIDE OF WINDOW FLANGE

HENRY SELF-ADHERED OR HENRY LIQUID APPLIED FLASHING

BLUESKIN VP100



INSTALL WINDOW PER WINDOW MANUFACTURER REQUIREMENTS



ASTM E2112 - METHOD B1
SECTION VIEW

NOTES

1. VISIT WWW.HENRY.COM/WARRANTY FOR ELIGIBILITY REQUIREMENTS OF THE 15-YEAR RESIDENTIAL AND LIGHT COMMERCIAL HENRY 1-2-3 MOISTURE CONTROL SYSTEM WARRANTY.
2. HENRY OFFERS **BLUESKIN VP100** IN THE UNITED STATES AND CANADA. PRODUCT AVAILABILITY AND WARRANTY OPTIONS MAY VARY BY LOCATION. REFER TO THE HENRY **BLUESKIN VP100** GUIDE SPECIFICATION FOR RECOMMENDED FLASHINGS, SEALANTS, AND SYSTEM INFORMATION.
3. INSTALLATION "METHOD B1" REFERS TO COMMON WINDOWS (SURFACE MOUNTED). INSTALL WINDOW PER WINDOW MANUFACTURER REQUIREMENTS.
4. INSTALLATIONS WITHOUT A DRAINAGE SILL PAN ARE LIMITED TO LOW WIND AND WATER EXPOSURE CONDITIONS.
5. SEE PRODUCT SPECIFIC TECHNICAL DATA SHEET FOR ROLL SIZES, MAXIMUM UV EXPOSURE, COMPATIBILITY CONCERNS, APPLICATION TEMPERATURES AND SERVICE TEMPERATURE LIMITATIONS.
6. CLADDING, INSULATION, AND OPTIONAL INTERIOR VAPOR BARRIER NOT SHOWN FOR CLARITY. REFER TO LOCAL CODE ORDINANCES FOR INSULATION AND VAPOR BARRIER REQUIREMENTS.
7. SUBSTRATES MUST BE CLEAN AND DRY.
8. SELF-ADHERED MEMBRANES MAY REQUIRE A PRIMER FOR OPTIMAL ADHESION TO SOME SURFACES AND/OR SUBSTRATE TEMPERATURES. REFER TO PRODUCT SPECIFIC TECHNICAL DATA SHEET FOR PRIMER REQUIREMENTS.
9. VERIFY WEATHER-RESISTIVE BARRIER IS FREE FROM PROTRUSIONS OR DAMAGE PRIOR TO CLADDING INSTALLATION.
10. CONTACT HENRY AT 800-773-4777 FOR TECHNICAL ASSISTANCE.



A CARLISLE COMPANY

999 N. Pacific Coast Highway, Suite 800
El Segundo, CA 90245
800-486-1278 • www.henry.com

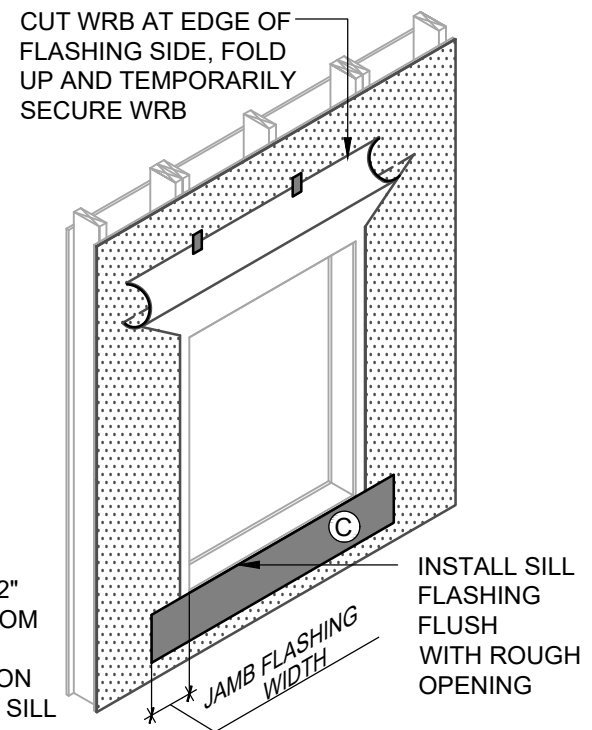
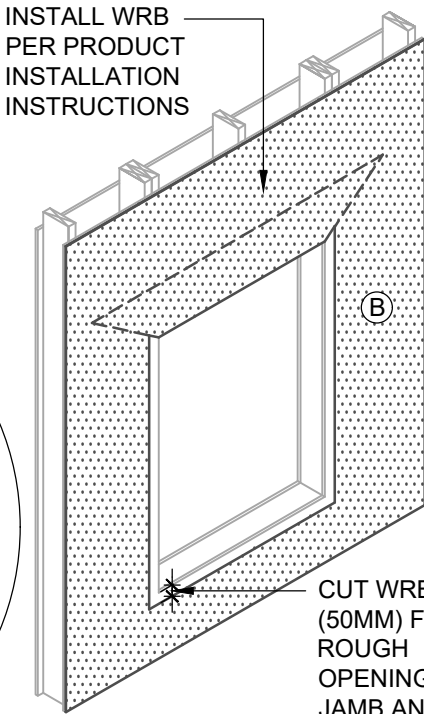
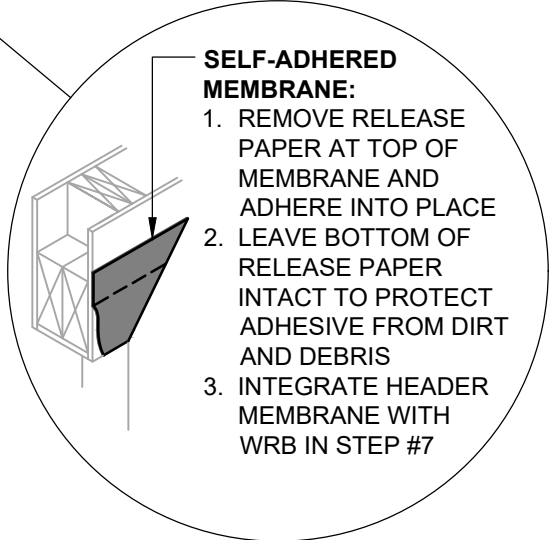
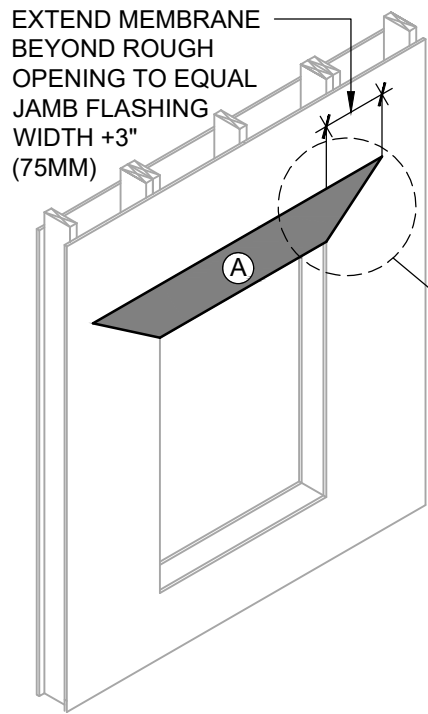
**BLUESKIN VP100 SELF-ADHERED AIR BARRIER
FLANGED WINDOW - METHOD B1
WINDOW INSTALLATION FOR LOW WIND AND WATER EXPOSURE
FLASHING INSTALLED BEFORE WRB**

MANUFACTURER INSTALLATION GUIDELINES ARE FOR REFERENCE ONLY. HENRY DOES NOT ASSUME RESPONSIBILITY FOR ERRORS OR DEVIATIONS IN DESIGN OR ENGINEERING. PROJECT SPECIFIC VERIFICATION IS RECOMMENDED PRIOR TO INSTALLATION. DETAILS ARE NOT TO SCALE. REFER TO PRODUCT SPECIFIC TECHNICAL DATA SHEET FOR PRODUCT INFORMATION, RECOMMENDED AUXILIARY COMPONENTS AND INSTALLATION INSTRUCTIONS.

04-18-2022

PAGE 1 OF 1

VPWRB-6B1-L1



1 HEADER FLASHING INSTALLATION

2 WEATHER-RESISTIVE BARRIER (WRB)

3 HEADER PREPARATION AND SILL FLASHING

Henry RESIDENTIAL AND LIGHT COMMERCIAL WEATHER-RESISTIVE BARRIER ASSEMBLY



HENRY 1-2-3 MOISTURE CONTROL SYSTEM WEATHER-RESISTIVE BARRIER (WRB) INSTALLATION GUIDELINES

WEATHER-RESISTIVE BARRIER (WRB) COMPONENTS

- (A) HENRY SELF-ADHERED FLASHING OR BLUESKIN VP100
- (B) BLUESKIN VP100
- (C) HENRY SELF-ADHERED OR HENRY LIQUID APPLIED FLASHING
- (D) HENRY MOISTOP SEALANT
- (E) HENRY 212 SEALANT (US) OR KOP-R-LASTIC SEALANT (CAN)

NOTES

1. THE DEPICTED DETAIL SHOWS ONE OF THE SEVERAL COMMONLY ACCEPTED METHODS OF WINDOW INSTALLATION.
2. VISIT WWW.HENRY.COM/WARRANTY FOR ELIGIBILITY REQUIREMENTS OF THE 15-YEAR RESIDENTIAL AND LIGHT COMMERCIAL HENRY 1-2-3 MOISTURE CONTROL SYSTEM WARRANTY.
3. HENRY OFFERS **BLUESKIN VP100** IN THE UNITED STATES AND CANADA. PRODUCT AVAILABILITY AND WARRANTY OPTIONS MAY VARY BY LOCATION. REFER TO THE HENRY **BLUESKIN VP100** GUIDE SPECIFICATION FOR RECOMMENDED FLASHINGS, SEALANTS, AND SYSTEM INFORMATION.



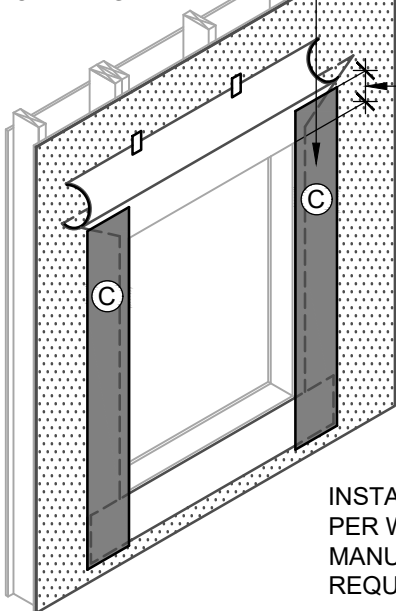
BLUESKIN VP100 SELF-ADHERED AIR BARRIER FLANGED WINDOW - METHOD B1

WINDOW INSTALLATION FOR LOW WIND AND WATER EXPOSURE FLASHING INSTALLED BEFORE WRB - INSTALLATION SEQUENCE

MANUFACTURER INSTALLATION GUIDELINES ARE FOR REFERENCE ONLY. HENRY DOES NOT ASSUME RESPONSIBILITY FOR ERRORS OR DEVIATIONS IN DESIGN OR ENGINEERING. PROJECT SPECIFIC VERIFICATION IS RECOMMENDED PRIOR TO INSTALLATION. DETAILS ARE NOT TO SCALE. REFER TO PRODUCT SPECIFIC TECHNICAL DATA SHEET FOR PRODUCT INFORMATION, RECOMMENDED AUXILIARY COMPONENTS AND INSTALLATION INSTRUCTIONS.

999 N. Pacific Coast Highway, Suite 800
El Segundo, CA 90245
800-486-1278 • www.henry.com

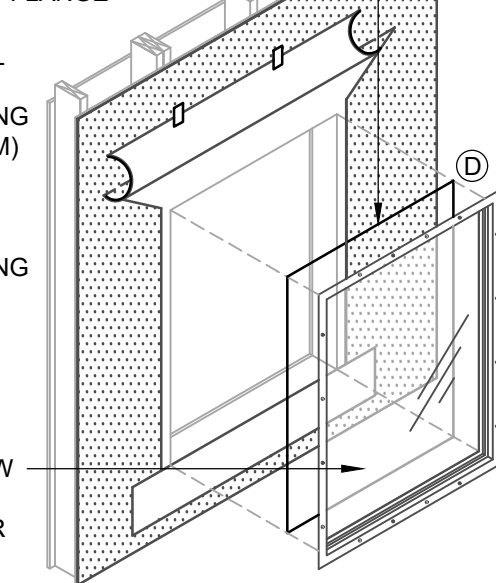
INSTALL JAMB FLASHING FLUSH WITH ROUGH OPENING



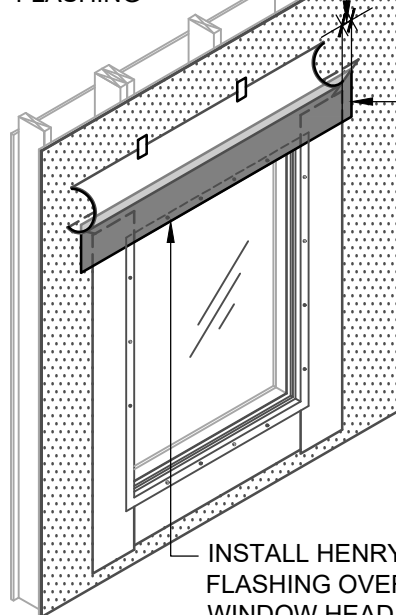
INSTALL JAMB FLASHING 1" (25MM) BELOW TOP OF HEAD FLASHING

INSTALL WINDOW PER WINDOW MANUFACTURER REQUIREMENTS

APPLY A CONTINUOUS 3/8" (10MM) BEAD OF **MOISTOP SEALANT** ON INTERIOR SIDE OF WINDOW FLANGE

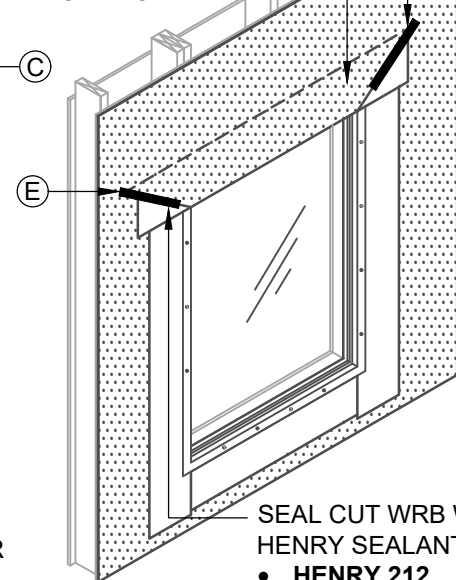


EXTEND HEADER FLASHING 1" (25MM) BEYOND JAMB FLASHING



INSTALL HENRY FLASHING OVER WINDOW HEAD FLANGE

REMOVE RELEASE LINER FROM MEMBRANE AT HEADER AND ADHERE MEMBRANE INTO PLACE



SEAL CUT WRB WITH HENRY SEALANT

- HENRY 212 SEALANT (US)
- KOP-R-LASTIC SEALANT (CAN)

4 JAMB FLASHING INSTALLATION

5 WINDOW INSTALLATION

6 HEADER FLASHING INSTALLATION

7 SECURE WRB AT HEADER

INSTALLATION GUIDELINES AND LIMITATIONS

1. INSTALLATION "METHOD B1" REFERS TO COMMON WINDOWS (SURFACE MOUNTED). INSTALL WINDOW PER WINDOW MANUFACTURER REQUIREMENTS.
2. SEE PRODUCT SPECIFIC TECHNICAL DATA SHEET FOR ROLL SIZES, MAXIMUM UV EXPOSURE, COMPATIBILITY CONCERNS, APPLICATION TEMPERATURES AND SERVICE TEMPERATURE LIMITATIONS.
3. REFER TO THE HENRY **BLUESKIN VP100** GUIDE SPECIFICATION FOR RECOMMENDED FLASHINGS.
4. FLASHINGS MAY NOT BE COMPATIBLE WITH ALL SEALANTS. USE SEALANTS AS INDICATED OR VERIFY COMPATIBILITY AS DIRECTED IN AAMA 713.
5. INSTALLATIONS WITHOUT A DRAINAGE SILL PAN ARE LIMITED TO LOW WIND AND WATER EXPOSURE CONDITIONS.
6. SUBSTRATES MUST BE CLEAN AND DRY.
7. SELF-ADHERED MEMBRANES MAY REQUIRE A PRIMER FOR OPTIMAL ADHESION TO SOME SURFACES AND/OR SUBSTRATE TEMPERATURES.
8. ROLL SELF-ADHERED MEMBRANES TO OBTAIN CONTINUOUS ADHESION.
9. VERIFY WEATHER-RESISTIVE BARRIER IS FREE FROM PROTRUSIONS OR DAMAGE PRIOR TO CLADDING INSTALLATION.
10. CONTACT HENRY AT 800-773-4777 FOR TECHNICAL ASSISTANCE.

Henry
A CARLISLE COMPANY

999 N. Pacific Coast Highway, Suite 800
El Segundo, CA 90245
800-486-1278 • www.henry.com

BLUESKIN VP100 SELF-ADHERED AIR BARRIER

FLANGED WINDOW - METHOD B1

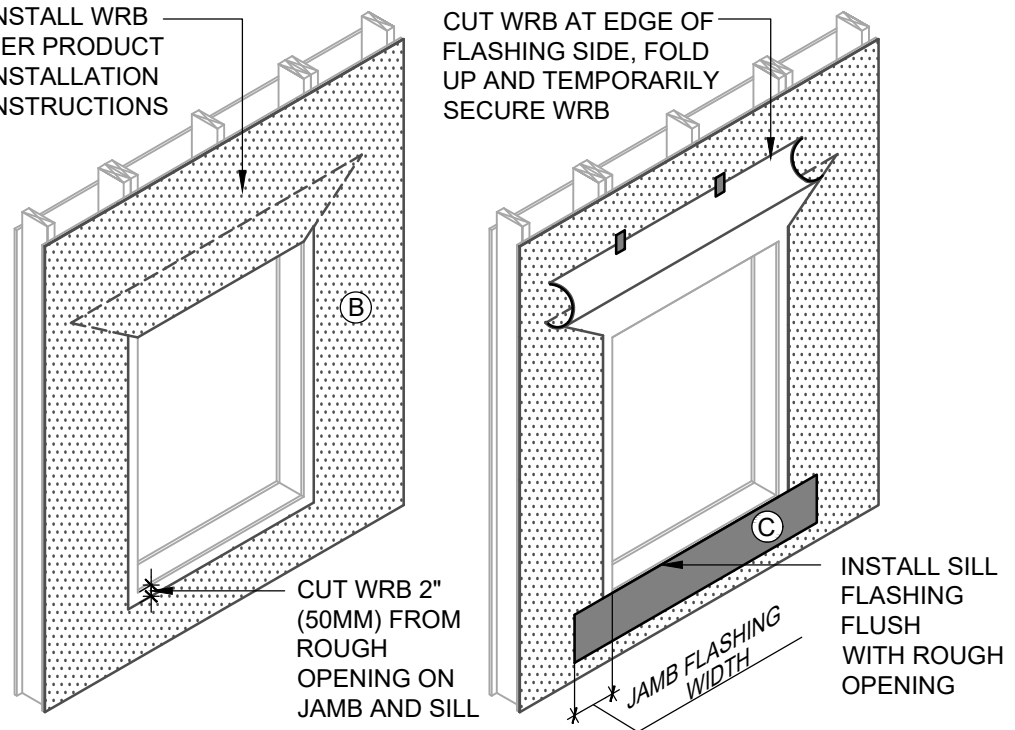
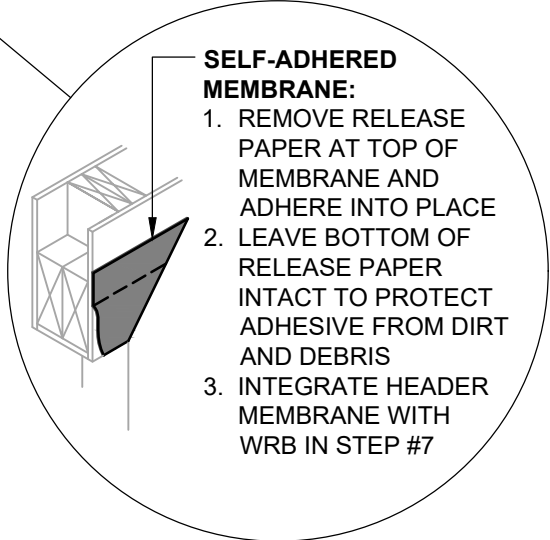
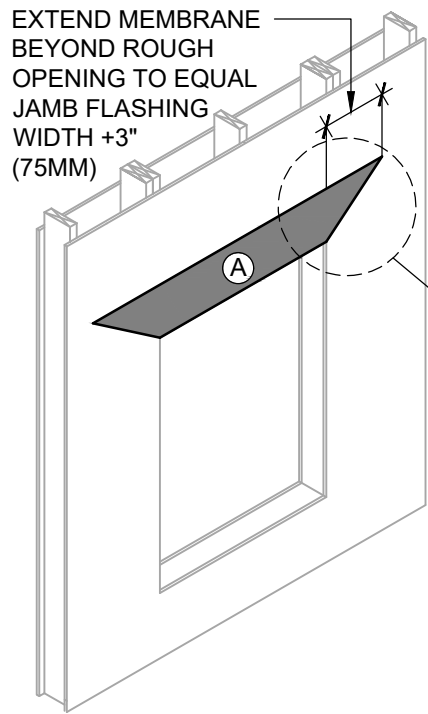
**WINDOW INSTALLATION FOR LOW WIND AND WATER EXPOSURE
FLASHING INSTALLED BEFORE WRB - INSTALLATION SEQUENCE**

MANUFACTURER INSTALLATION GUIDELINES ARE FOR REFERENCE ONLY. HENRY DOES NOT ASSUME RESPONSIBILITY FOR ERRORS OR DEVIATIONS IN DESIGN OR ENGINEERING. PROJECT SPECIFIC VERIFICATION IS RECOMMENDED PRIOR TO INSTALLATION. DETAILS ARE NOT TO SCALE. REFER TO PRODUCT SPECIFIC TECHNICAL DATA SHEET FOR PRODUCT INFORMATION, RECOMMENDED AUXILIARY COMPONENTS AND INSTALLATION INSTRUCTIONS.

04-18-2022

PAGE 2 OF 2

VPWRB-6B1-L2



1 HEADER FLASHING INSTALLATION

2 WEATHER-RESISTIVE BARRIER (WRB)

3 HEADER PREPARATION AND SILL FLASHING

- SELF-ADHERED MEMBRANE:**
1. REMOVE RELEASE PAPER AT TOP OF MEMBRANE AND ADHERE INTO PLACE
 2. LEAVE BOTTOM OF RELEASE PAPER INTACT TO PROTECT ADHESIVE FROM DIRT AND DEBRIS
 3. INTEGRATE HEADER MEMBRANE WITH WRB IN STEP #7

Henry RESIDENTIAL AND LIGHT COMMERCIAL WEATHER-RESISTIVE BARRIER ASSEMBLY



HENRY 1-2-3 MOISTURE CONTROL SYSTEM WEATHER-RESISTIVE BARRIER (WRB) INSTALLATION GUIDELINES

WEATHER-RESISTIVE BARRIER (WRB) COMPONENTS

- (A) HENRY SELF-ADHERED FLASHING OR BLUESKIN VP100
- (B) BLUESKIN VP100
- (C) HENRY SELF-ADHERED OR HENRY LIQUID APPLIED FLASHING
- (D) HENRY MOISTOP SEALANT
- (E) HENRY 212 SEALANT (US) OR KOP-R-LASTIC SEALANT (CAN)

NOTES

1. THE DEPICTED DETAIL SHOWS ONE OF THE SEVERAL COMMONLY ACCEPTED METHODS OF WINDOW INSTALLATION.
2. VISIT WWW.HENRY.COM/WARRANTY FOR ELIGIBILITY REQUIREMENTS OF THE 15-YEAR RESIDENTIAL AND LIGHT COMMERCIAL HENRY 1-2-3 MOISTURE CONTROL SYSTEM WARRANTY.
3. HENRY OFFERS **BLUESKIN VP100** IN THE UNITED STATES AND CANADA. PRODUCT AVAILABILITY AND WARRANTY OPTIONS MAY VARY BY LOCATION. REFER TO THE HENRY **BLUESKIN VP100** GUIDE SPECIFICATION FOR RECOMMENDED FLASHINGS, SEALANTS, AND SYSTEM INFORMATION.



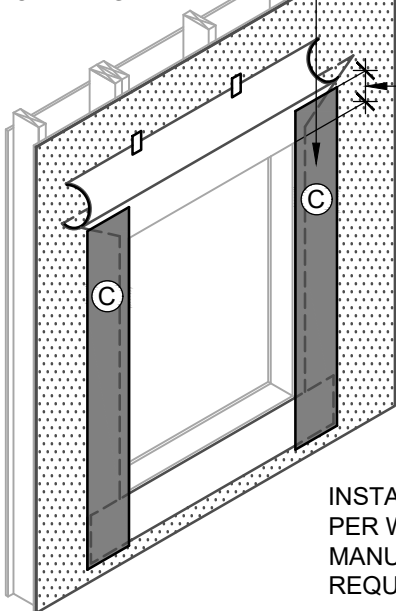
BLUESKIN VP100 SELF-ADHERED AIR BARRIER FLANGED WINDOW - METHOD B1

WINDOW INSTALLATION FOR LOW WIND AND WATER EXPOSURE FLASHING INSTALLED BEFORE WRB - INSTALLATION SEQUENCE

MANUFACTURER INSTALLATION GUIDELINES ARE FOR REFERENCE ONLY. HENRY DOES NOT ASSUME RESPONSIBILITY FOR ERRORS OR DEVIATIONS IN DESIGN OR ENGINEERING. PROJECT SPECIFIC VERIFICATION IS RECOMMENDED PRIOR TO INSTALLATION. DETAILS ARE NOT TO SCALE. REFER TO PRODUCT SPECIFIC TECHNICAL DATA SHEET FOR PRODUCT INFORMATION, RECOMMENDED AUXILIARY COMPONENTS AND INSTALLATION INSTRUCTIONS.

999 N. Pacific Coast Highway, Suite 800
El Segundo, CA 90245
800-486-1278 • www.henry.com

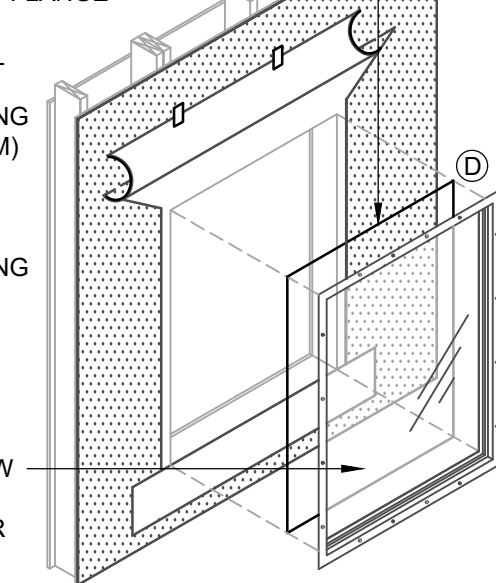
INSTALL JAMB FLASHING FLUSH WITH ROUGH OPENING



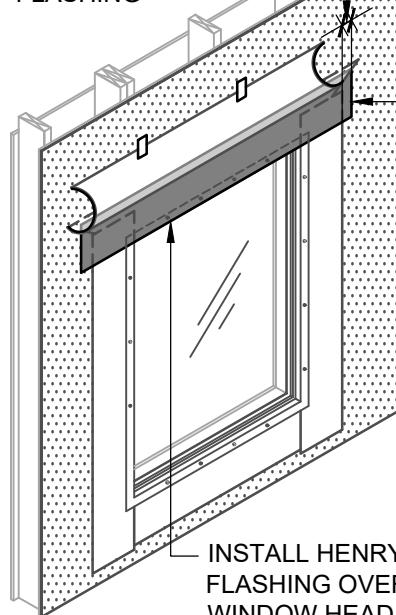
INSTALL JAMB FLASHING 1" (25MM) BELOW TOP OF HEAD FLASHING

INSTALL WINDOW PER WINDOW MANUFACTURER REQUIREMENTS

APPLY A CONTINUOUS 3/8" (10MM) BEAD OF **MOISTOP SEALANT** ON INTERIOR SIDE OF WINDOW FLANGE

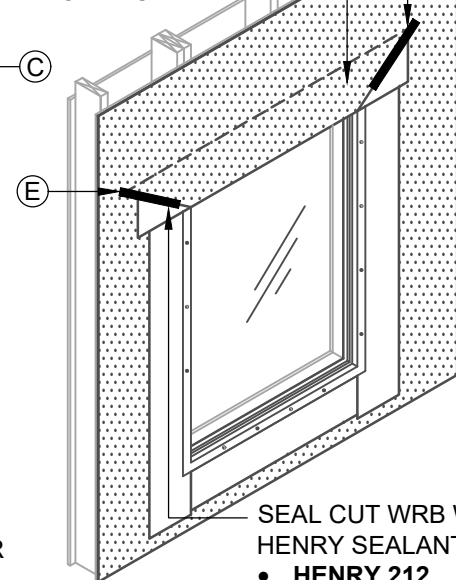


EXTEND HEADER FLASHING 1" (25MM) BEYOND JAMB FLASHING



INSTALL HENRY FLASHING OVER WINDOW HEAD FLANGE

REMOVE RELEASE LINER FROM MEMBRANE AT HEADER AND ADHERE MEMBRANE INTO PLACE



SEAL CUT WRB WITH HENRY SEALANT

- HENRY 212 SEALANT (US)
- KOP-R-LASTIC SEALANT (CAN)

4 JAMB FLASHING INSTALLATION

5 WINDOW INSTALLATION

6 HEADER FLASHING INSTALLATION

7 SECURE WRB AT HEADER

INSTALLATION GUIDELINES AND LIMITATIONS

1. INSTALLATION "METHOD B1" REFERS TO COMMON WINDOWS (SURFACE MOUNTED). INSTALL WINDOW PER WINDOW MANUFACTURER REQUIREMENTS.
2. SEE PRODUCT SPECIFIC TECHNICAL DATA SHEET FOR ROLL SIZES, MAXIMUM UV EXPOSURE, COMPATIBILITY CONCERNS, APPLICATION TEMPERATURES AND SERVICE TEMPERATURE LIMITATIONS.
3. REFER TO THE HENRY **BLUESKIN VP100** GUIDE SPECIFICATION FOR RECOMMENDED FLASHINGS.
4. FLASHINGS MAY NOT BE COMPATIBLE WITH ALL SEALANTS. USE SEALANTS AS INDICATED OR VERIFY COMPATIBILITY AS DIRECTED IN AAMA 713.
5. INSTALLATIONS WITHOUT A DRAINAGE SILL PAN ARE LIMITED TO LOW WIND AND WATER EXPOSURE CONDITIONS.
6. SUBSTRATES MUST BE CLEAN AND DRY.
7. SELF-ADHERED MEMBRANES MAY REQUIRE A PRIMER FOR OPTIMAL ADHESION TO SOME SURFACES AND/OR SUBSTRATE TEMPERATURES.
8. ROLL SELF-ADHERED MEMBRANES TO OBTAIN CONTINUOUS ADHESION.
9. VERIFY WEATHER-RESISTIVE BARRIER IS FREE FROM PROTRUSIONS OR DAMAGE PRIOR TO CLADDING INSTALLATION.
10. CONTACT HENRY AT 800-773-4777 FOR TECHNICAL ASSISTANCE.

Henry[®]

A CARLISLE COMPANY

999 N. Pacific Coast Highway, Suite 800
El Segundo, CA 90245
800-486-1278 • www.henry.com

BLUESKIN VP100 SELF-ADHERED AIR BARRIER

FLANGED WINDOW - METHOD B1

**WINDOW INSTALLATION FOR LOW WIND AND WATER EXPOSURE
FLASHING INSTALLED BEFORE WRB - INSTALLATION SEQUENCE**

MANUFACTURER INSTALLATION GUIDELINES ARE FOR REFERENCE ONLY. HENRY DOES NOT ASSUME RESPONSIBILITY FOR ERRORS OR DEVIATIONS IN DESIGN OR ENGINEERING. PROJECT SPECIFIC VERIFICATION IS RECOMMENDED PRIOR TO INSTALLATION. DETAILS ARE NOT TO SCALE. REFER TO PRODUCT SPECIFIC TECHNICAL DATA SHEET FOR PRODUCT INFORMATION, RECOMMENDED AUXILIARY COMPONENTS AND INSTALLATION INSTRUCTIONS.

04-18-2022

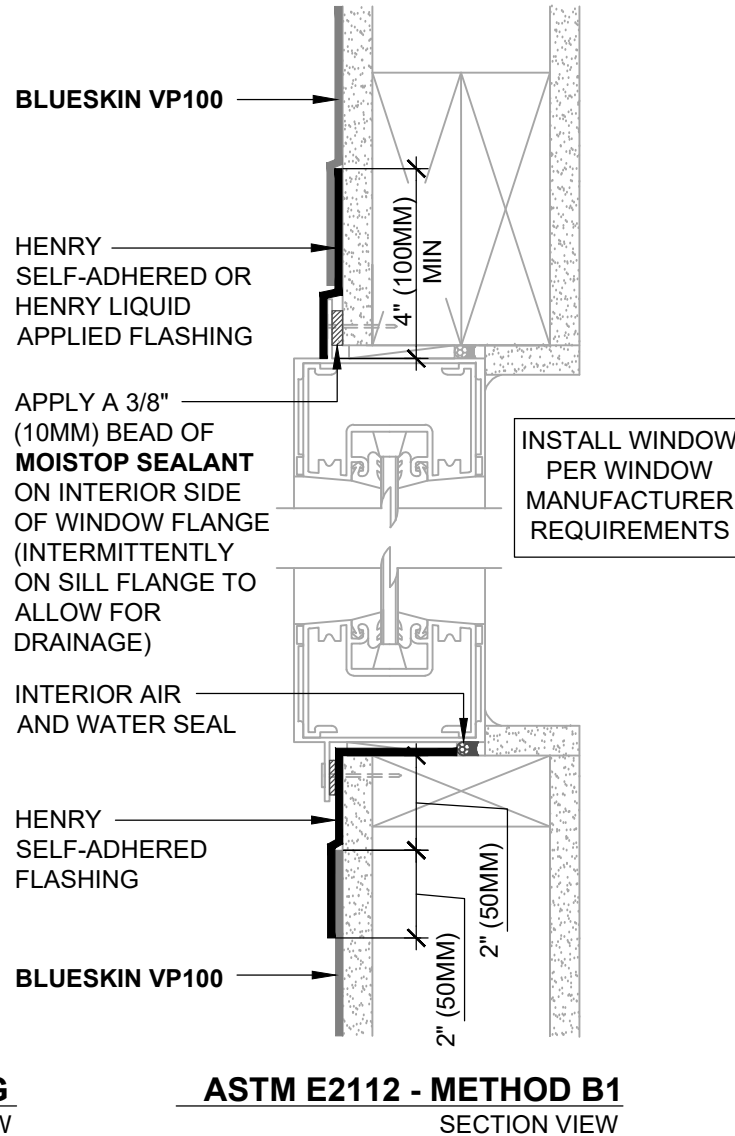
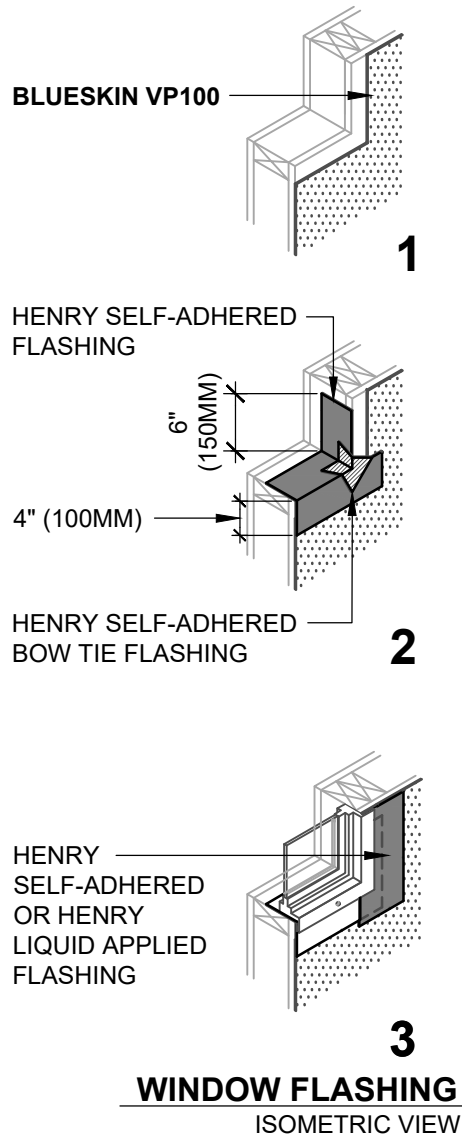
PAGE 2 OF 2

VPWRB-6B1-L2

THE DEPICTED DETAIL SHOWS ONE OF THE SEVERAL COMMONLY ACCEPTED METHODS OF WINDOW INSTALLATION.



**HENRY 1-2-3 MOISTURE CONTROL SYSTEM
WEATHER-RESISTIVE BARRIER (WRB)
INSTALLATION GUIDELINES**



NOTES

1. VISIT WWW.HENRY.COM/WARRANTY FOR ELIGIBILITY REQUIREMENTS OF THE 15-YEAR RESIDENTIAL AND LIGHT COMMERCIAL HENRY 1-2-3 MOISTURE CONTROL SYSTEM WARRANTY.
2. HENRY OFFERS **BLUESKIN VP100** IN THE UNITED STATES AND CANADA. PRODUCT AVAILABILITY AND WARRANTY OPTIONS MAY VARY BY LOCATION. REFER TO THE HENRY **BLUESKIN VP100** GUIDE SPECIFICATION FOR RECOMMENDED FLASHINGS, SEALANTS, AND SYSTEM INFORMATION.
3. INSTALLATION "METHOD B1" REFERS TO COMMON WINDOWS (SURFACE MOUNTED). INSTALL WINDOW PER WINDOW MANUFACTURER REQUIREMENTS.
4. PROVIDE INTERIOR AIR AND WATER SEAL AT WINDOW PERIMETER PER WINDOW MANUFACTURER RECOMMENDATIONS.
5. SEE PRODUCT SPECIFIC TECHNICAL DATA SHEET FOR ROLL SIZES, MAXIMUM UV EXPOSURE, COMPATIBILITY CONCERNS, APPLICATION TEMPERATURES AND SERVICE TEMPERATURE LIMITATIONS.
6. CLADDING, INSULATION, AND OPTIONAL INTERIOR VAPOR BARRIER NOT SHOWN FOR CLARITY. REFER TO LOCAL CODE ORDINANCES FOR INSULATION AND VAPOR BARRIER REQUIREMENTS.
7. SUBSTRATES MUST BE CLEAN AND DRY.
8. SELF-ADHERED MEMBRANES MAY REQUIRE A PRIMER FOR OPTIMAL ADHESION TO SOME SURFACES AND/OR SUBSTRATE TEMPERATURES. REFER TO PRODUCT SPECIFIC TECHNICAL DATA SHEET FOR PRIMER REQUIREMENTS.
9. VERIFY WEATHER-RESISTIVE BARRIER IS FREE FROM PROTRUSIONS OR DAMAGE PRIOR TO CLADDING INSTALLATION.
10. CONTACT HENRY AT 800-773-4777 FOR TECHNICAL ASSISTANCE.



A CARLISLE COMPANY

999 N. Pacific Coast Highway, Suite 800
El Segundo, CA 90245
800-486-1278 • www.henry.com

**BLUESKIN VP100 SELF-ADHERED AIR BARRIER
FLANGED WINDOW - METHOD B1
WINDOW INSTALLATION WITH PAN FLASHING AT SILL
FLASHING INSTALLED BEFORE WRB**

MANUFACTURER INSTALLATION GUIDELINES ARE FOR REFERENCE ONLY. HENRY DOES NOT ASSUME RESPONSIBILITY FOR ERRORS OR DEVIATIONS IN DESIGN OR ENGINEERING. PROJECT SPECIFIC VERIFICATION IS RECOMMENDED PRIOR TO INSTALLATION. DETAILS ARE NOT TO SCALE. REFER TO PRODUCT SPECIFIC TECHNICAL DATA SHEET FOR PRODUCT INFORMATION, RECOMMENDED AUXILIARY COMPONENTS AND INSTALLATION INSTRUCTIONS.

04-18-2022

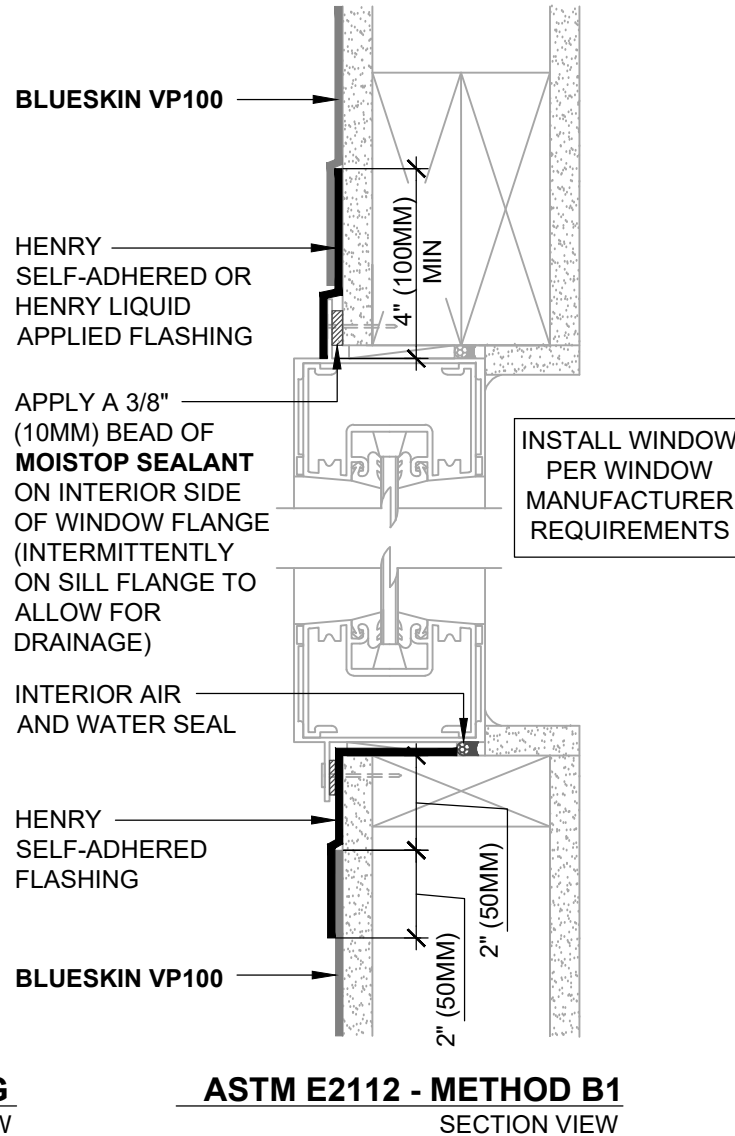
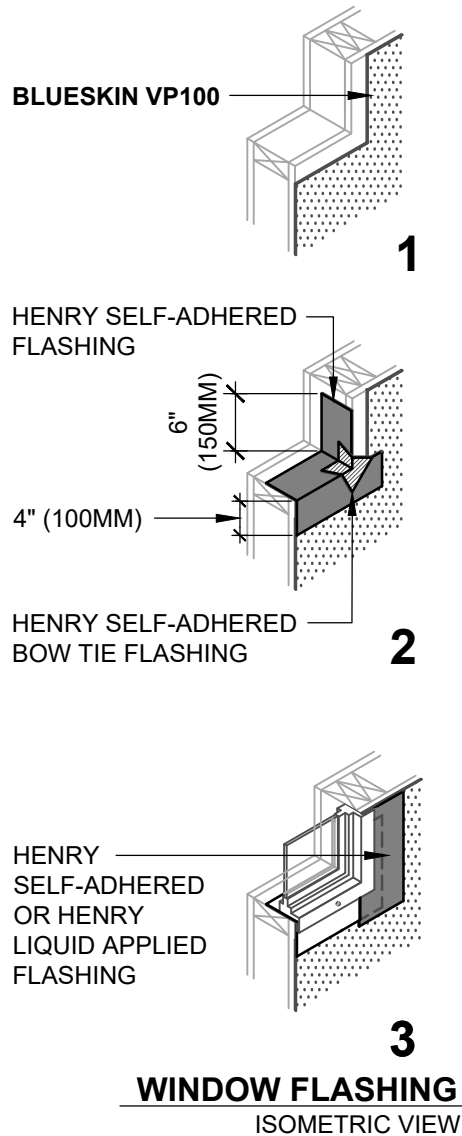
PAGE 1 OF 1

VPWRB-6B1-P1

THE DEPICTED DETAIL SHOWS ONE OF THE SEVERAL COMMONLY ACCEPTED METHODS OF WINDOW INSTALLATION.



**HENRY 1-2-3 MOISTURE CONTROL SYSTEM
WEATHER-RESISTIVE BARRIER (WRB)
INSTALLATION GUIDELINES**



NOTES

1. VISIT WWW.HENRY.COM/WARRANTY FOR ELIGIBILITY REQUIREMENTS OF THE 15-YEAR RESIDENTIAL AND LIGHT COMMERCIAL HENRY 1-2-3 MOISTURE CONTROL SYSTEM WARRANTY.
2. HENRY OFFERS **BLUESKIN VP100** IN THE UNITED STATES AND CANADA. PRODUCT AVAILABILITY AND WARRANTY OPTIONS MAY VARY BY LOCATION. REFER TO THE HENRY **BLUESKIN VP100** GUIDE SPECIFICATION FOR RECOMMENDED FLASHINGS, SEALANTS, AND SYSTEM INFORMATION.
3. INSTALLATION "METHOD B1" REFERS TO COMMON WINDOWS (SURFACE MOUNTED). INSTALL WINDOW PER WINDOW MANUFACTURER REQUIREMENTS.
4. PROVIDE INTERIOR AIR AND WATER SEAL AT WINDOW PERIMETER PER WINDOW MANUFACTURER RECOMMENDATIONS.
5. SEE PRODUCT SPECIFIC TECHNICAL DATA SHEET FOR ROLL SIZES, MAXIMUM UV EXPOSURE, COMPATIBILITY CONCERNS, APPLICATION TEMPERATURES AND SERVICE TEMPERATURE LIMITATIONS.
6. CLADDING, INSULATION, AND OPTIONAL INTERIOR VAPOR BARRIER NOT SHOWN FOR CLARITY. REFER TO LOCAL CODE ORDINANCES FOR INSULATION AND VAPOR BARRIER REQUIREMENTS.
7. SUBSTRATES MUST BE CLEAN AND DRY.
8. SELF-ADHERED MEMBRANES MAY REQUIRE A PRIMER FOR OPTIMAL ADHESION TO SOME SURFACES AND/OR SUBSTRATE TEMPERATURES. REFER TO PRODUCT SPECIFIC TECHNICAL DATA SHEET FOR PRIMER REQUIREMENTS.
9. VERIFY WEATHER-RESISTIVE BARRIER IS FREE FROM PROTRUSIONS OR DAMAGE PRIOR TO CLADDING INSTALLATION.
10. CONTACT HENRY AT 800-773-4777 FOR TECHNICAL ASSISTANCE.



A CARLISLE COMPANY

999 N. Pacific Coast Highway, Suite 800
El Segundo, CA 90245
800-486-1278 • www.henry.com

**BLUESKIN VP100 SELF-ADHERED AIR BARRIER
FLANGED WINDOW - METHOD B1
WINDOW INSTALLATION WITH PAN FLASHING AT SILL
FLASHING INSTALLED BEFORE WRB**

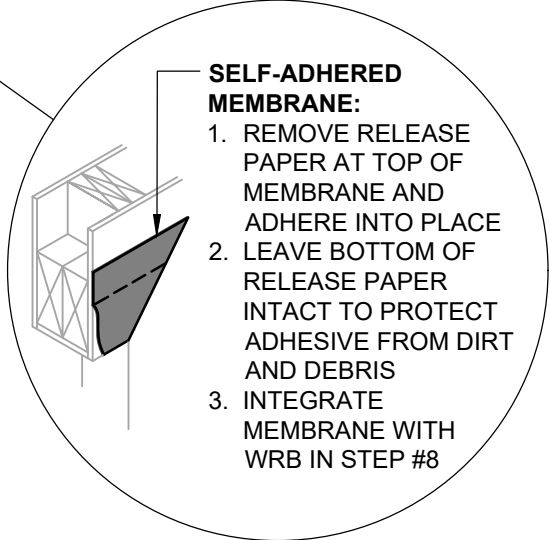
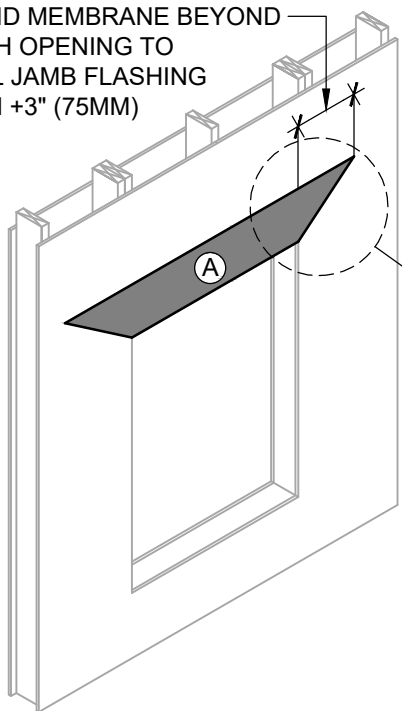
MANUFACTURER INSTALLATION GUIDELINES ARE FOR REFERENCE ONLY. HENRY DOES NOT ASSUME RESPONSIBILITY FOR ERRORS OR DEVIATIONS IN DESIGN OR ENGINEERING. PROJECT SPECIFIC VERIFICATION IS RECOMMENDED PRIOR TO INSTALLATION. DETAILS ARE NOT TO SCALE. REFER TO PRODUCT SPECIFIC TECHNICAL DATA SHEET FOR PRODUCT INFORMATION, RECOMMENDED AUXILIARY COMPONENTS AND INSTALLATION INSTRUCTIONS.

04-18-2022

PAGE 1 OF 1

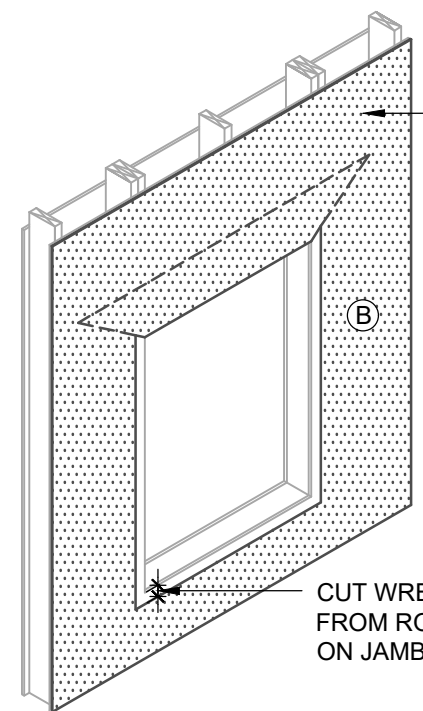
VPWRB-6B1-P1

EXTEND MEMBRANE BEYOND
ROUGH OPENING TO
EQUAL JAMB FLASHING
WIDTH +3" (75MM)



- SELF-ADHERED MEMBRANE:**
1. REMOVE RELEASE PAPER AT TOP OF MEMBRANE AND ADHERE INTO PLACE
 2. LEAVE BOTTOM OF RELEASE PAPER INTACT TO PROTECT ADHESIVE FROM DIRT AND DEBRIS
 3. INTEGRATE MEMBRANE WITH WRB IN STEP #8

1 HEADER PREPARATION



INSTALL WRB PER
PRODUCT INSTALLATION
INSTRUCTIONS

CUT WRB 2" (50MM)
FROM ROUGH OPENING
ON JAMB AND SILL

2 WEATHER-RESISTIVE BARRIER (WRB)

Henry RESIDENTIAL AND LIGHT COMMERCIAL
WEATHER-RESISTIVE BARRIER ASSEMBLY



**HENRY 1-2-3 MOISTURE CONTROL SYSTEM
WEATHER-RESISTIVE BARRIER (WRB)
INSTALLATION GUIDELINES**

WEATHER-RESISTIVE BARRIER (WRB) COMPONENTS

- (A) HENRY SELF-ADHERED FLASHING
- (B) BLUESKIN VP100
- (C) HENRY SELF-ADHERED OR HENRY LIQUID APPLIED FLASHING
- (D) HENRY MOISTOP SEALANT
- (E) HENRY 212 SEALANT (US) OR KOP-R-LASTIC SEALANT (CAN)

NOTES

1. THE DEPICTED DETAIL SHOWS ONE OF THE SEVERAL COMMONLY ACCEPTED METHODS OF WINDOW INSTALLATION.
2. VISIT WWW.HENRY.COM/WARRANTY FOR ELIGIBILITY REQUIREMENTS OF THE 15-YEAR RESIDENTIAL AND LIGHT COMMERCIAL HENRY 1-2-3 MOISTURE CONTROL SYSTEM WARRANTY.
3. HENRY OFFERS **BLUESKIN VP100** IN THE UNITED STATES AND CANADA. PRODUCT AVAILABILITY AND WARRANTY OPTIONS MAY VARY BY LOCATION. REFER TO THE HENRY **BLUESKIN VP100** GUIDE SPECIFICATION FOR RECOMMENDED FLASHINGS, SEALANTS, AND SYSTEM INFORMATION.

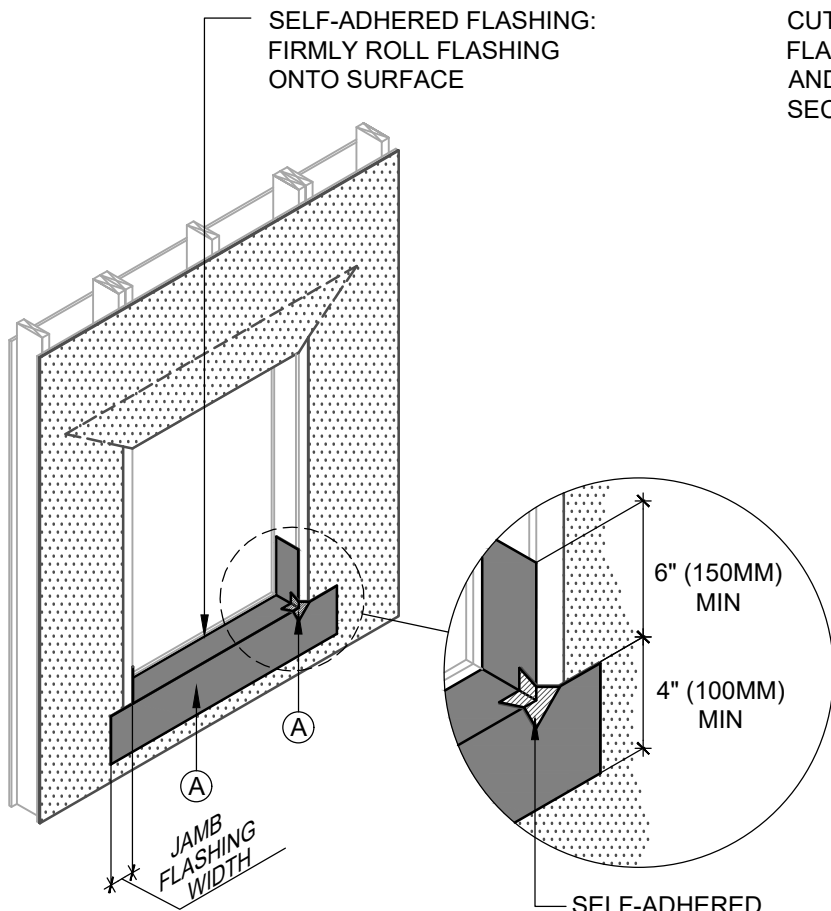


**BLUESKIN VP100 SELF-ADHERED AIR BARRIER
FLANGED WINDOW - METHOD B1**

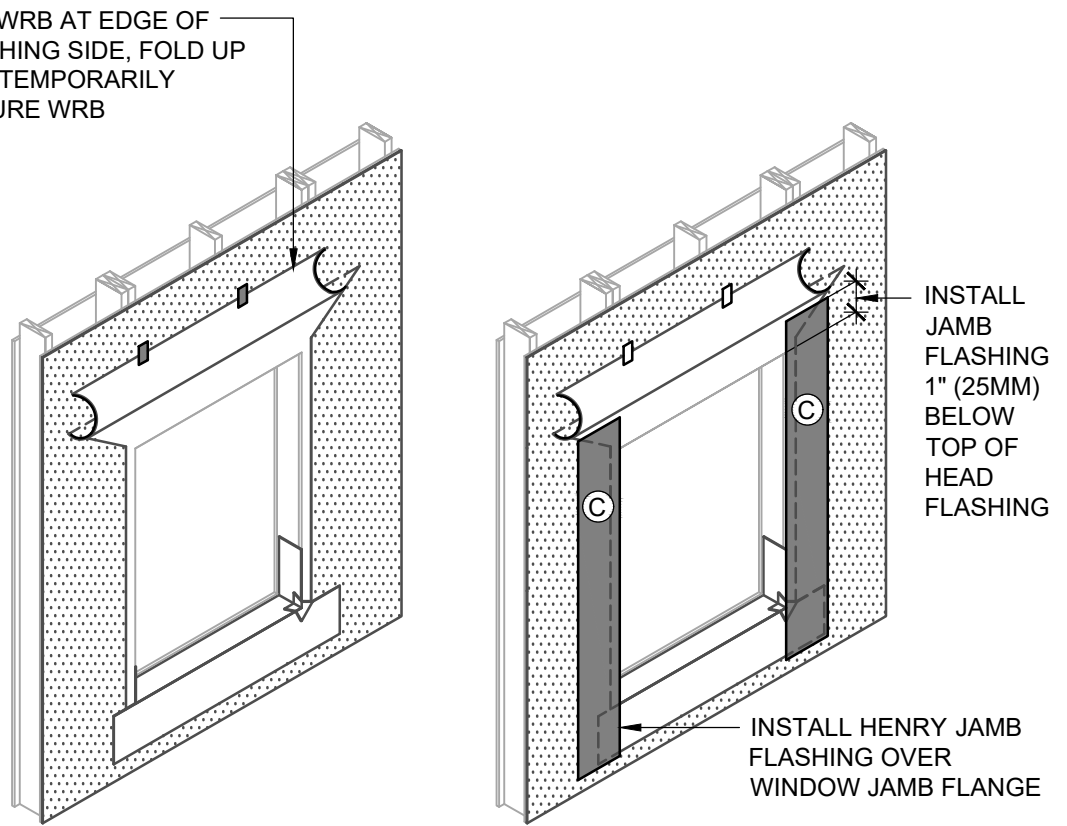
**WINDOW INSTALLATION WITH PAN FLASHING AT SILL
FLASHING INSTALLED BEFORE WRB - INSTALLATION SEQUENCE**

999 N. Pacific Coast Highway, Suite 800
El Segundo, CA 90245
800-486-1278 • www.henry.com

MANUFACTURER INSTALLATION GUIDELINES ARE FOR REFERENCE ONLY. HENRY DOES NOT ASSUME RESPONSIBILITY FOR ERRORS OR DEVIATIONS IN DESIGN OR ENGINEERING. PROJECT SPECIFIC VERIFICATION IS RECOMMENDED PRIOR TO INSTALLATION. DETAILS ARE NOT TO SCALE. REFER TO PRODUCT SPECIFIC TECHNICAL DATA SHEET FOR PRODUCT INFORMATION, RECOMMENDED AUXILIARY COMPONENTS AND INSTALLATION INSTRUCTIONS.



3 SILL FLASHING INSTALLATION



4 HEADER PREPARATION

5 JAMB FLASHING INSTALLATION

INSTALLATION GUIDELINES AND LIMITATIONS

1. THIS DETAIL SET INCLUDES THREE PAGES. REFER TO PAGE THREE FOR FURTHER **BLUESKIN VP100** INSTALLATION GUIDELINES AND LIMITATION NOTES.
2. INSTALLATION "METHOD A1" REFERS TO COMMON WINDOWS (SURFACE MOUNTED). INSTALL WINDOW PER WINDOW MANUFACTURER REQUIREMENTS.
3. AS A BEST PRACTICE, SLOPE SILL PRIOR TO FLASHING INSTALLATION TO PROMOTE POSITIVE DRAINAGE. USE BACKDAM IN LIEU OF SHIM AS REQUIRED.



A CARLISLE COMPANY

999 N. Pacific Coast Highway, Suite 800
El Segundo, CA 90245
800-486-1278 • www.henry.com

**BLUESKIN VP100 SELF-ADHERED AIR BARRIER
FLANGED WINDOW - METHOD B1**

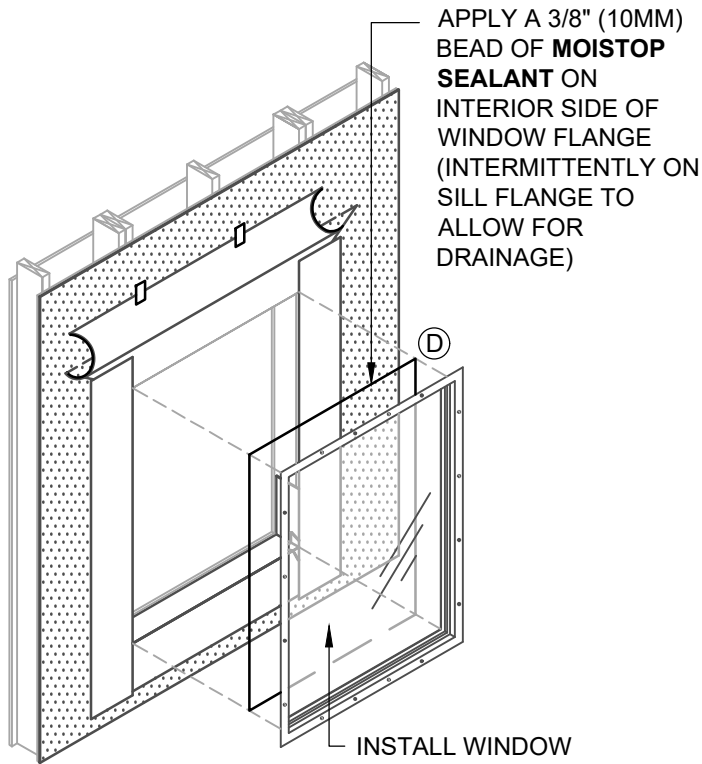
**WINDOW INSTALLATION WITH PAN FLASHING AT SILL
FLASHING INSTALLED BEFORE WRB - INSTALLATION SEQUENCE**

MANUFACTURER INSTALLATION GUIDELINES ARE FOR REFERENCE ONLY. HENRY DOES NOT ASSUME RESPONSIBILITY FOR ERRORS OR DEVIATIONS IN DESIGN OR ENGINEERING. PROJECT SPECIFIC VERIFICATION IS RECOMMENDED PRIOR TO INSTALLATION. DETAILS ARE NOT TO SCALE. REFER TO PRODUCT SPECIFIC TECHNICAL DATA SHEET FOR PRODUCT INFORMATION, RECOMMENDED AUXILIARY COMPONENTS AND INSTALLATION INSTRUCTIONS.

04-18-2022

PAGE 2 OF 3

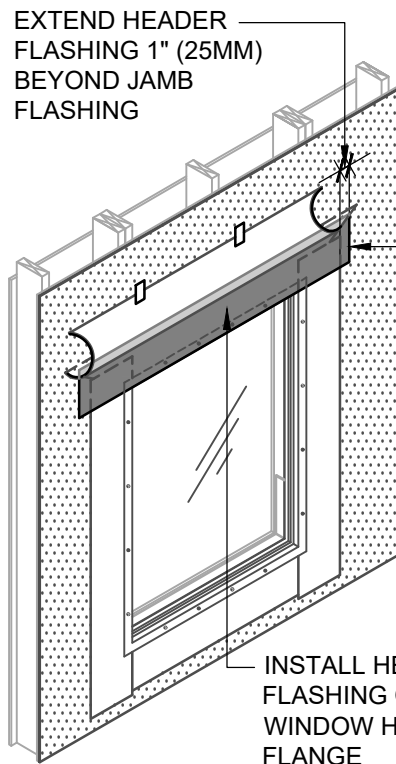
VPWRB-6B1-P2



APPLY A 3/8" (10MM) BEAD OF **MOISTOP SEALANT** ON INTERIOR SIDE OF WINDOW FLANGE (INTERMITTENTLY ON SILL FLANGE TO ALLOW FOR DRAINAGE)

INSTALL WINDOW PER WINDOW MANUFACTURER REQUIREMENTS

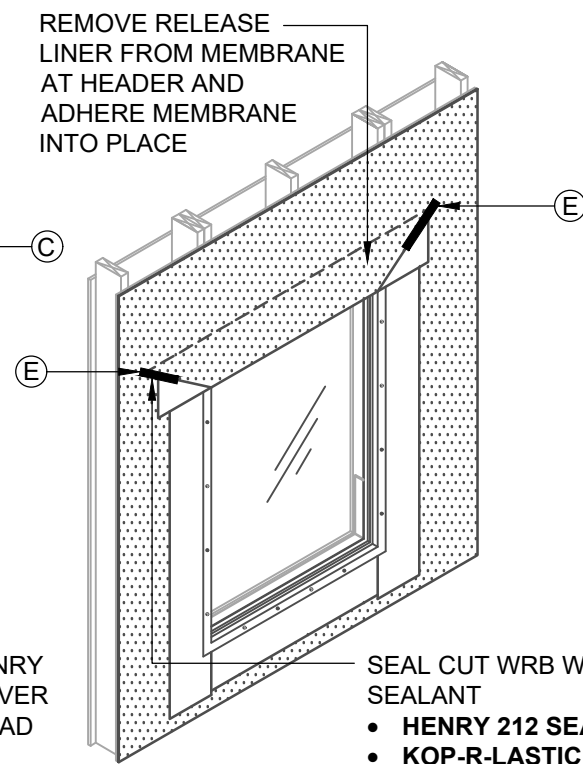
6 WINDOW INSTALLATION



EXTEND HEADER FLASHING 1" (25MM) BEYOND JAMB FLASHING

INSTALL HENRY FLASHING OVER WINDOW HEAD FLANGE

7 HEADER FLASHING INSTALLATION



REMOVE RELEASE LINER FROM MEMBRANE AT HEADER AND ADHERE MEMBRANE INTO PLACE

SEAL CUT WRB WITH HENRY SEALANT

- HENRY 212 SEALANT (US)
- KOP-R-LASTIC SEALANT (CAN)

8 SECURE WRB AT HEADER

INSTALLATION GUIDELINES AND LIMITATIONS

1. INSTALLATION "METHOD B1" REFERS TO COMMON WINDOWS (SURFACE MOUNTED). INSTALL WINDOW PER WINDOW MANUFACTURER REQUIREMENTS.
2. SEE PRODUCT SPECIFIC TECHNICAL DATA SHEET FOR ROLL SIZES, MAXIMUM UV EXPOSURE, COMPATIBILITY CONCERNS, APPLICATION TEMPERATURES AND SERVICE TEMPERATURE LIMITATIONS.
3. REFER TO THE HENRY **BLUESKIN VP100** GUIDE SPECIFICATION FOR RECOMMENDED FLASHINGS.
4. FLASHINGS MAY NOT BE COMPATIBLE WITH ALL SEALANTS. USE SEALANTS AS INDICATED OR VERIFY COMPATIBILITY AS DIRECTED IN AAMA 713.
5. PROVIDE INTERIOR AIR AND WATER SEAL AT WINDOW PERIMETER PER WINDOW MANUFACTURER RECOMMENDATIONS.
6. SUBSTRATES MUST BE CLEAN AND DRY.
7. SELF-ADHERED MEMBRANES MAY REQUIRE A PRIMER FOR OPTIMAL ADHESION TO SOME SURFACES AND/OR SUBSTRATE TEMPERATURES.
8. ROLL SELF-ADHERED MEMBRANES TO OBTAIN CONTINUOUS ADHESION.
9. VERIFY WEATHER-RESISTIVE BARRIER IS FREE FROM PROTRUSIONS OR DAMAGE PRIOR TO CLADDING INSTALLATION.
10. CONTACT HENRY AT 800-773-4777 FOR TECHNICAL ASSISTANCE.

Henry[®]

A CARLISLE COMPANY

999 N. Pacific Coast Highway, Suite 800
El Segundo, CA 90245
800-486-1278 • www.henry.com

BLUESKIN VP100 SELF-ADHERED AIR BARRIER FLANGED WINDOW - METHOD B1

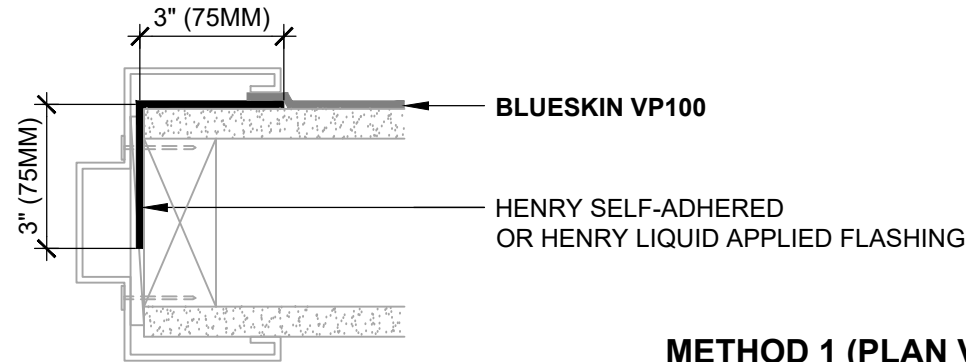
WINDOW INSTALLATION WITH PAN FLASHING AT SILL
FLASHING INSTALLED BEFORE WRB - INSTALLATION SEQUENCE

MANUFACTURER INSTALLATION GUIDELINES ARE FOR REFERENCE ONLY. HENRY DOES NOT ASSUME RESPONSIBILITY FOR ERRORS OR DEVIATIONS IN DESIGN OR ENGINEERING. PROJECT SPECIFIC VERIFICATION IS RECOMMENDED PRIOR TO INSTALLATION. DETAILS ARE NOT TO SCALE. REFER TO PRODUCT SPECIFIC TECHNICAL DATA SHEET FOR PRODUCT INFORMATION, RECOMMENDED AUXILIARY COMPONENTS AND INSTALLATION INSTRUCTIONS.

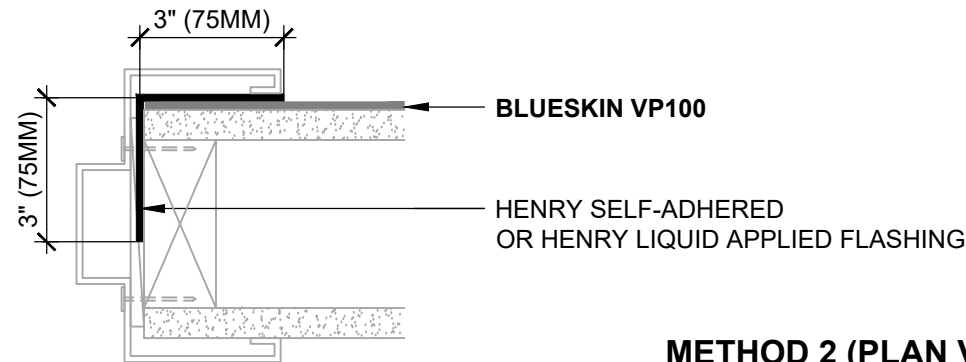
04-18-2022

PAGE 3 OF 3

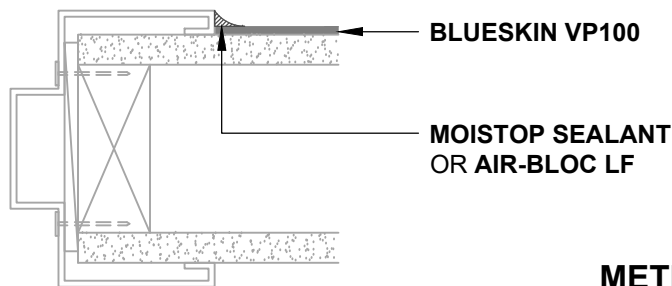
VPWRB-6B1-P2



METHOD 1 (PLAN VIEW)
FLASHING INSTALLED BEFORE WRB



METHOD 2 (PLAN VIEW)
FLASHING INSTALLED AFTER WRB



METHOD 3 (PLAN VIEW)
DOOR INSTALLED BEFORE WRB



**HENRY 1-2-3 MOISTURE CONTROL SYSTEM
WEATHER-RESISTIVE BARRIER (WRB)
INSTALLATION GUIDELINES**

NOTES

1. VISIT WWW.HENRY.COM/WARRANTY FOR ELIGIBILITY REQUIREMENTS OF THE 15-YEAR RESIDENTIAL AND LIGHT COMMERCIAL HENRY 1-2-3 MOISTURE CONTROL SYSTEM WARRANTY.
2. HENRY OFFERS **BLUESKIN VP100** IN THE UNITED STATES AND CANADA. PRODUCT AVAILABILITY AND WARRANTY OPTIONS MAY VARY BY LOCATION. REFER TO THE HENRY **BLUESKIN VP100** GUIDE SPECIFICATION FOR RECOMMENDED FLASHINGS, SEALANTS, AND SYSTEM INFORMATION.
3. SEE PRODUCT SPECIFIC TECHNICAL DATA SHEET FOR ROLL SIZES, MAXIMUM UV EXPOSURE, COMPATIBILITY CONCERNS, APPLICATION TEMPERATURES AND SERVICE TEMPERATURE LIMITATIONS.
4. CLADDING, INSULATION, AND OPTIONAL INTERIOR VAPOR BARRIER NOT SHOWN FOR CLARITY. REFER TO LOCAL CODE ORDINANCES FOR INSULATION AND VAPOR BARRIER REQUIREMENTS.
5. SUBSTRATES MUST BE CLEAN AND DRY.
6. SELF-ADHERED MEMBRANES MAY REQUIRE A PRIMER FOR OPTIMAL ADHESION TO SOME SURFACES AND/OR SUBSTRATE TEMPERATURES. REFER TO PRODUCT SPECIFIC TECHNICAL DATA SHEET FOR PRIMER REQUIREMENTS.
7. ROLL SELF-ADHERED MEMBRANES TO OBTAIN CONTINUOUS ADHESION.
8. VERIFY WEATHER-RESISTIVE BARRIER IS FREE FROM PROTRUSIONS OR DAMAGE PRIOR TO CLADDING INSTALLATION.
9. CONTACT HENRY AT 800-773-4777 FOR TECHNICAL ASSISTANCE.



A CARLISLE COMPANY

999 N. Pacific Coast Highway, Suite 800
El Segundo, CA 90245
800-486-1278 • www.henry.com

**BLUESKIN VP100 SELF-ADHERED AIR BARRIER
DOOR JAMB**

**TYPICAL JAMB FLASHING OPTIONS
HOLLOW METAL DOOR**

MANUFACTURER INSTALLATION GUIDELINES ARE FOR REFERENCE ONLY. HENRY DOES NOT ASSUME RESPONSIBILITY FOR ERRORS OR DEVIATIONS IN DESIGN OR ENGINEERING. PROJECT SPECIFIC VERIFICATION IS RECOMMENDED PRIOR TO INSTALLATION. DETAILS ARE NOT TO SCALE. REFER TO PRODUCT SPECIFIC TECHNICAL DATA SHEET FOR PRODUCT INFORMATION, RECOMMENDED AUXILIARY COMPONENTS AND INSTALLATION INSTRUCTIONS.

04-18-2022

PAGE 1 OF 1

VPWRB-6C



HENRY 1-2-3 MOISTURE CONTROL SYSTEM WEATHER-RESISTIVE BARRIER (WRB) INSTALLATION GUIDELINES

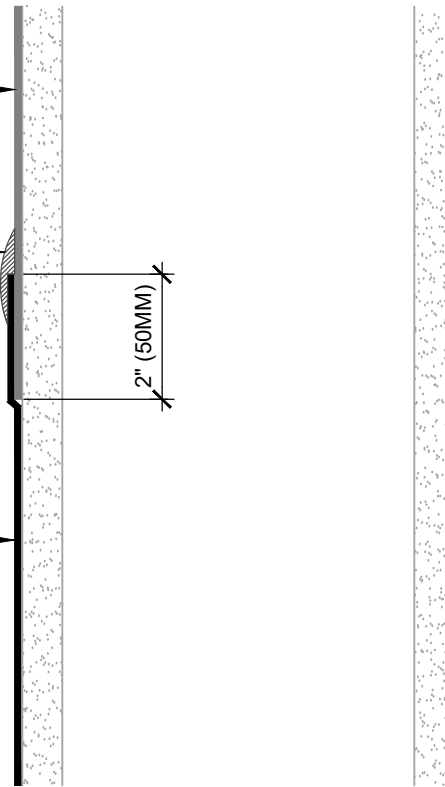
NOTES

1. VISIT WWW.HENRY.COM/WARRANTY FOR ELIGIBILITY REQUIREMENTS OF THE 15-YEAR RESIDENTIAL AND LIGHT COMMERCIAL HENRY 1-2-3 MOISTURE CONTROL SYSTEM WARRANTY.
2. HENRY OFFERS **BLUESKIN VP100** IN THE UNITED STATES AND CANADA. PRODUCT AVAILABILITY AND WARRANTY OPTIONS MAY VARY BY LOCATION. REFER TO THE HENRY **BLUESKIN VP100** GUIDE SPECIFICATION FOR RECOMMENDED FLASHINGS, SEALANTS, AND SYSTEM INFORMATION.
3. SEE PRODUCT SPECIFIC TECHNICAL DATA SHEET FOR ROLL SIZES, MAXIMUM UV EXPOSURE, COMPATIBILITY CONCERNS, APPLICATION TEMPERATURES AND SERVICE TEMPERATURE LIMITATIONS.
4. CLADDING, INSULATION, AND OPTIONAL INTERIOR VAPOR BARRIER NOT SHOWN FOR CLARITY. REFER TO LOCAL CODE ORDINANCES FOR INSULATION AND VAPOR BARRIER REQUIREMENTS.
5. SUBSTRATES MUST BE CLEAN AND DRY.
6. SELF-ADHERED MEMBRANES MAY REQUIRE A PRIMER FOR OPTIMAL ADHESION TO SOME SURFACES AND/OR SUBSTRATE TEMPERATURES. REFER TO PRODUCT SPECIFIC TECHNICAL DATA SHEET FOR PRIMER REQUIREMENTS.
7. ROLL SELF-ADHERED MEMBRANES TO OBTAIN CONTINUOUS ADHESION.
8. VERIFY WEATHER-RESISTIVE BARRIER IS FREE FROM PROTRUSIONS OR DAMAGE PRIOR TO CLADDING INSTALLATION.
9. CONTACT HENRY AT 800-773-4777 FOR TECHNICAL ASSISTANCE.

BLUESKIN VP100

HENRY 212 SEALANT (US) OR
KOP-R-LASTIC SEALANT (CAN)
FULLY COAT REVERSE LAP AND
TROWEL TO PROMOTE WATER
SHEDDING

HENRY SELF-ADHERED
MEMBRANE OR HENRY LIQUID
APPLIED FLASHING



REVERSE LAPS (SECTION VIEW)

FLASHING INSTALLED AFTER WRB

Henry[®]

A CARLISLE COMPANY

999 N. Pacific Coast Highway, Suite 800
El Segundo, CA 90245
800-486-1278 • www.henry.com

BLUESKIN VP100 SELF-ADHERED AIR BARRIER REVERSE LAP

TERMINATION AT REVERSE LAP
LAPPING ONTO BLUESKIN VP100

MANUFACTURER INSTALLATION GUIDELINES ARE FOR REFERENCE ONLY. HENRY DOES NOT ASSUME RESPONSIBILITY FOR ERRORS OR DEVIATIONS IN DESIGN OR ENGINEERING. PROJECT SPECIFIC VERIFICATION IS RECOMMENDED PRIOR TO INSTALLATION. DETAILS ARE NOT TO SCALE. REFER TO PRODUCT SPECIFIC TECHNICAL DATA SHEET FOR PRODUCT INFORMATION, RECOMMENDED AUXILIARY COMPONENTS AND INSTALLATION INSTRUCTIONS.

04-18-2022

PAGE 1 OF 1

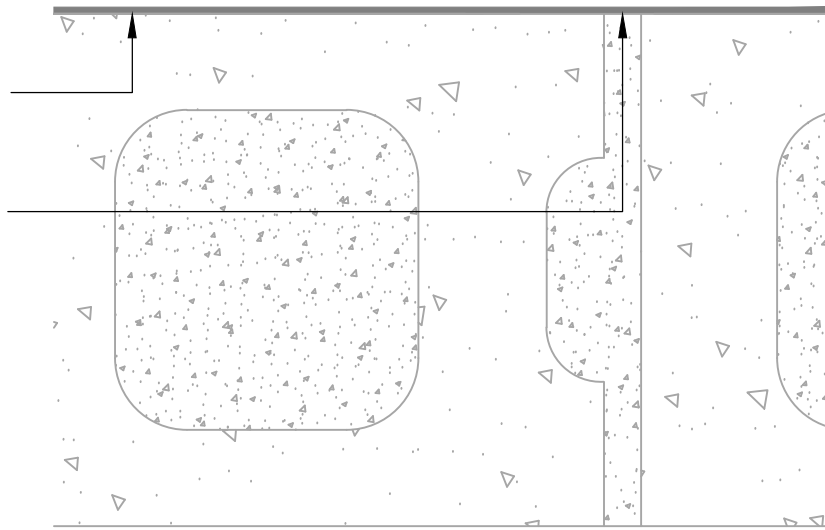
VPWRB-7A



**HENRY 1-2-3 MOISTURE CONTROL SYSTEM
WEATHER-RESISTIVE BARRIER (WRB)
INSTALLATION GUIDELINES**

BLUESKIN VP100

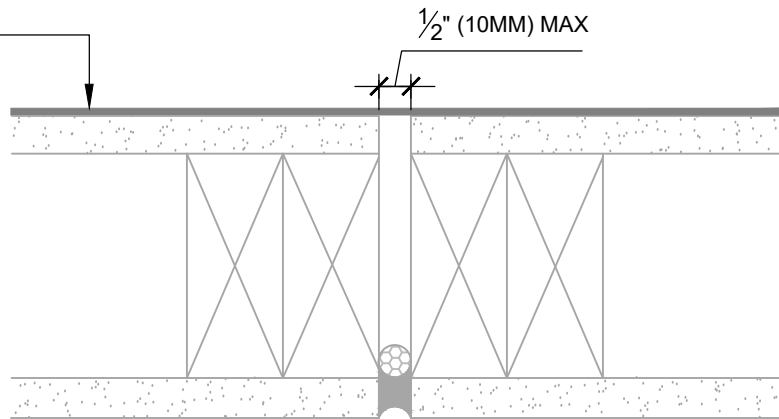
STRIKE MORTAR
FULL AND FLUSH
WITH FACE OF
BLOCK
(SEE NOTE #4)



CMU MORTAR JOINTS (PLAN VIEW)

STRIKE MORTAR FULL AND FLUSH

BLUESKIN VP100



GAPS UP TO 1/2"(10MM) MAX (PLAN VIEW)

FLASHING INSTALLED BEFORE WRB

NOTES

1. VISIT WWW.HENRY.COM/WARRANTY FOR ELIGIBILITY REQUIREMENTS OF THE 15-YEAR RESIDENTIAL AND LIGHT COMMERCIAL HENRY 1-2-3 MOISTURE CONTROL SYSTEM WARRANTY.
2. HENRY OFFERS **BLUESKIN VP100** IN THE UNITED STATES AND CANADA. PRODUCT AVAILABILITY AND WARRANTY OPTIONS MAY VARY BY LOCATION. REFER TO THE HENRY **BLUESKIN VP100** GUIDE SPECIFICATION FOR RECOMMENDED FLASHINGS, SEALANTS, AND SYSTEM INFORMATION.
3. SEE PRODUCT SPECIFIC TECHNICAL DATA SHEET FOR ROLL SIZES, MAXIMUM UV EXPOSURE, COMPATIBILITY CONCERNS, APPLICATION TEMPERATURES AND SERVICE TEMPERATURE LIMITATIONS.
4. CLADDING, INSULATION, AND OPTIONAL INTERIOR VAPOR BARRIER NOT SHOWN FOR CLARITY. REFER TO LOCAL CODE ORDINANCES FOR INSULATION AND VAPOR BARRIER REQUIREMENTS.
5. STRIKE CMU JOINTS FULL AND FLUSH TO CREATE A CONTINUOUS SUBSTRATE. PARTIAL OR SOLID GROUT CMU PRIOR TO WRB INSTALLATION AS SPECIFIED. REFER TO PRODUCT SPECIFIC TECHNICAL DATA SHEET FOR CURE TIME PRIOR TO WRB INSTALLATION.
6. SELF-ADHERED MEMBRANES MAY REQUIRE A PRIMER FOR OPTIMAL ADHESION TO SOME SURFACES AND/OR SUBSTRATE TEMPERATURES. REFER TO PRODUCT SPECIFIC TECHNICAL DATA SHEET FOR PRIMER REQUIREMENTS.
7. ROLL SELF-ADHERED MEMBRANES TO OBTAIN CONTINUOUS ADHESION.
8. VERIFY WEATHER-RESISTIVE BARRIER IS FREE FROM PROTRUSIONS OR DAMAGE PRIOR TO CLADDING INSTALLATION.
9. CONTACT HENRY AT 800-773-4777 FOR TECHNICAL ASSISTANCE.



A CARLISLE COMPANY

999 N. Pacific Coast Highway, Suite 800
El Segundo, CA 90245
800-486-1278 • www.henry.com

**BLUESKIN VP100 SELF-ADHERED AIR BARRIER
NON-MOVING JOINTS**

**CMU MORTAR JOINTS AND
SUBSTRATE GAPS UP TO 1/2" (10MM) WIDE MAXIMUM**

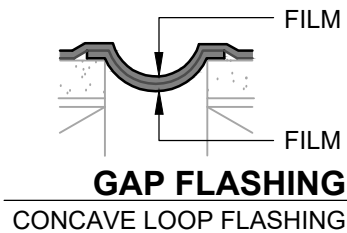
MANUFACTURER INSTALLATION GUIDELINES ARE FOR REFERENCE ONLY. HENRY DOES NOT ASSUME RESPONSIBILITY FOR ERRORS OR DEVIATIONS IN DESIGN OR ENGINEERING. PROJECT SPECIFIC VERIFICATION IS RECOMMENDED PRIOR TO INSTALLATION. DETAILS ARE NOT TO SCALE. REFER TO PRODUCT SPECIFIC TECHNICAL DATA SHEET FOR PRODUCT INFORMATION, RECOMMENDED AUXILIARY COMPONENTS AND INSTALLATION INSTRUCTIONS.

04-18-2022

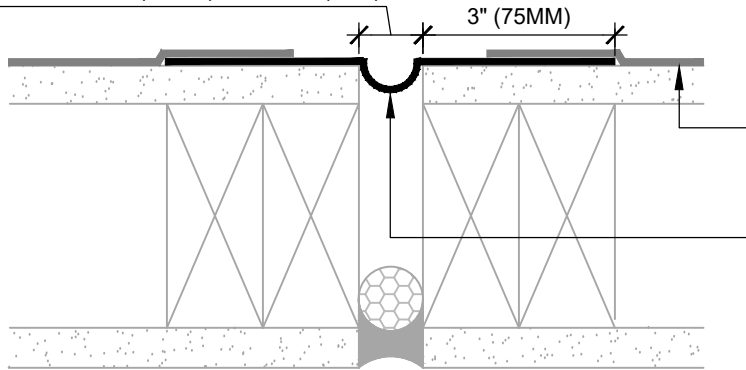
PAGE 1 OF 1

VPWRB-8A

CREATE CONCAVE LOOP IN MEMBRANE BY LOOPING INTO GAP. PRIOR TO INSTALLATION, ADHERE MEMBRANE TO ITSELF AND INSTALL TO PREVENT ADHESION TO SURFACES WITHIN GAP.



GREATER THAN 1/2" (10MM) UP TO 1" (25M)



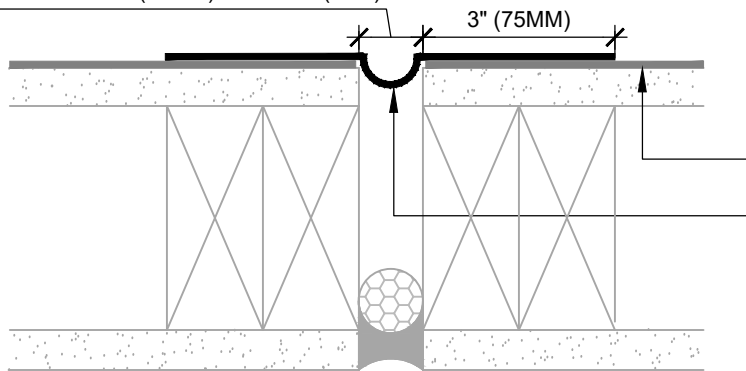
BLUESKIN VP100
LAP WRB 2" (50MM)
ONTO FLASHING

HENRY SELF-ADHERED
FLASHING
(SEE GAP FLASHING
DETAIL)

FLASHING INSTALLED BEFORE WRB

PLAN VIEW

GREATER THAN 1/2" (10MM) UP TO 1" (25M)



BLUESKIN VP100

HENRY SELF-ADHERED
FLASHING
(SEE GAP FLASHING
DETAIL)

FLASHING INSTALLED AFTER WRB

PLAN VIEW



**HENRY 1-2-3 MOISTURE CONTROL SYSTEM
WEATHER-RESISTIVE BARRIER (WRB)
INSTALLATION GUIDELINES**

NOTES

1. VISIT WWW.HENRY.COM/WARRANTY FOR ELIGIBILITY REQUIREMENTS OF THE 15-YEAR RESIDENTIAL AND LIGHT COMMERCIAL HENRY 1-2-3 MOISTURE CONTROL SYSTEM WARRANTY.
2. HENRY OFFERS **BLUESKIN VP100** IN THE UNITED STATES AND CANADA. PRODUCT AVAILABILITY AND WARRANTY OPTIONS MAY VARY BY LOCATION. REFER TO THE HENRY **BLUESKIN VP100** GUIDE SPECIFICATION FOR RECOMMENDED FLASHINGS, SEALANTS, AND SYSTEM INFORMATION.
3. SEE PRODUCT SPECIFIC TECHNICAL DATA SHEET FOR ROLL SIZES, MAXIMUM UV EXPOSURE, COMPATIBILITY CONCERNS, APPLICATION TEMPERATURES AND SERVICE TEMPERATURE LIMITATIONS.
4. CLADDING, INSULATION, AND OPTIONAL INTERIOR VAPOR BARRIER NOT SHOWN FOR CLARITY. REFER TO LOCAL CODE ORDINANCES FOR INSULATION AND VAPOR BARRIER REQUIREMENTS.
5. SUBSTRATES MUST BE CLEAN AND DRY.
6. SELF-ADHERED MEMBRANES MAY REQUIRE A PRIMER FOR OPTIMAL ADHESION TO SOME SURFACES AND/OR SUBSTRATE TEMPERATURES. REFER TO PRODUCT SPECIFIC TECHNICAL DATA SHEET FOR PRIMER REQUIREMENTS.
7. ROLL SELF-ADHERED MEMBRANES TO OBTAIN CONTINUOUS ADHESION.
8. VERIFY WEATHER-RESISTIVE BARRIER IS FREE FROM PROTRUSIONS OR DAMAGE PRIOR TO CLADDING INSTALLATION.
9. CONTACT HENRY AT 800-773-4777 FOR TECHNICAL ASSISTANCE.



A CARLISLE COMPANY

999 N. Pacific Coast Highway, Suite 800
El Segundo, CA 90245
800-486-1278 • www.henry.com

**BLUESKIN VP100 SELF-ADHERED AIR BARRIER
NON-MOVING JOINTS**

**SUBSTRATE GAPS GREATER THAN 1/2" (10MM) UP TO 1" (25MM)
SELF-ADHERED FLASHING**

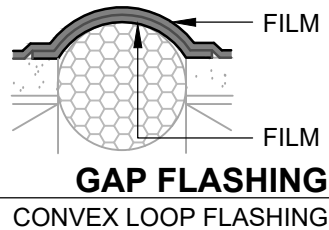
MANUFACTURER INSTALLATION GUIDELINES ARE FOR REFERENCE ONLY. HENRY DOES NOT ASSUME RESPONSIBILITY FOR ERRORS OR DEVIATIONS IN DESIGN OR ENGINEERING. PROJECT SPECIFIC VERIFICATION IS RECOMMENDED PRIOR TO INSTALLATION. DETAILS ARE NOT TO SCALE. REFER TO PRODUCT SPECIFIC TECHNICAL DATA SHEET FOR PRODUCT INFORMATION, RECOMMENDED AUXILIARY COMPONENTS AND INSTALLATION INSTRUCTIONS.

04-18-2022

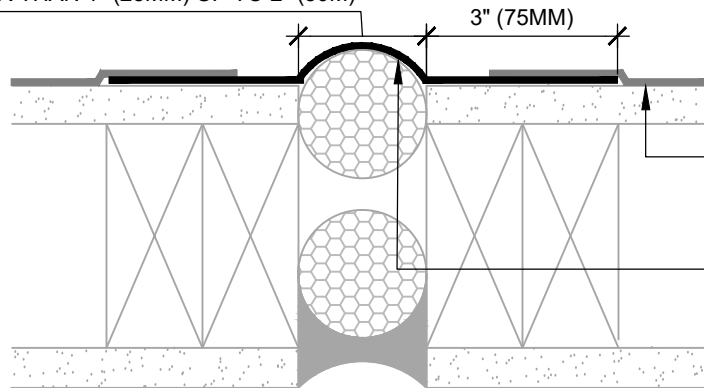
PAGE 1 OF 1

VPWRB-8B

CREATE CONVEX LOOP IN MEMBRANE BY LOOPING INTO GAP. PRIOR TO INSTALLATION, ADHERE MEMBRANE TO ITSELF AND INSTALL TO PREVENT ADHESION TO BACKER ROD.



GREATER THAN 1" (25MM) UP TO 2" (50M)



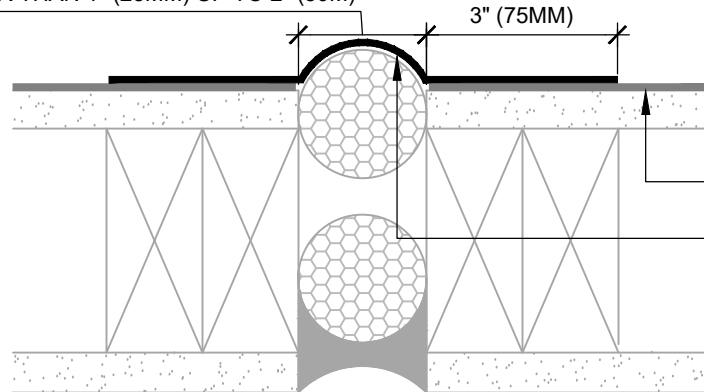
BLUESKIN VP100
LAP WRB 2" (50MM)
ONTO FLASHING

HENRY SELF-ADHERED
FLASHING
(SEE GAP FLASHING
DETAIL)

FLASHING INSTALLED BEFORE WRB

PLAN VIEW

GREATER THAN 1" (25MM) UP TO 2" (50M)



BLUESKIN VP100

HENRY SELF-ADHERED
FLASHING
(SEE GAP FLASHING
DETAIL)

FLASHING INSTALLED AFTER WRB

PLAN VIEW



**HENRY 1-2-3 MOISTURE CONTROL SYSTEM
WEATHER-RESISTIVE BARRIER (WRB)
INSTALLATION GUIDELINES**

NOTES

1. VISIT WWW.HENRY.COM/WARRANTY FOR ELIGIBILITY REQUIREMENTS OF THE 15-YEAR RESIDENTIAL AND LIGHT COMMERCIAL HENRY 1-2-3 MOISTURE CONTROL SYSTEM WARRANTY.
2. HENRY OFFERS **BLUESKIN VP100** IN THE UNITED STATES AND CANADA. PRODUCT AVAILABILITY AND WARRANTY OPTIONS MAY VARY BY LOCATION. REFER TO THE HENRY **BLUESKIN VP100** GUIDE SPECIFICATION FOR RECOMMENDED FLASHINGS, SEALANTS, AND SYSTEM INFORMATION.
3. SEE PRODUCT SPECIFIC TECHNICAL DATA SHEET FOR ROLL SIZES, MAXIMUM UV EXPOSURE, COMPATIBILITY CONCERNS, APPLICATION TEMPERATURES AND SERVICE TEMPERATURE LIMITATIONS.
4. CLADDING, INSULATION, AND OPTIONAL INTERIOR VAPOR BARRIER NOT SHOWN FOR CLARITY. REFER TO LOCAL CODE ORDINANCES FOR INSULATION AND VAPOR BARRIER REQUIREMENTS.
5. SUBSTRATES MUST BE CLEAN AND DRY.
6. SELF-ADHERED MEMBRANES MAY REQUIRE A PRIMER FOR OPTIMAL ADHESION TO SOME SURFACES AND/OR SUBSTRATE TEMPERATURES. REFER TO PRODUCT SPECIFIC TECHNICAL DATA SHEET FOR PRIMER REQUIREMENTS.
7. ROLL SELF-ADHERED MEMBRANES TO OBTAIN CONTINUOUS ADHESION.
8. VERIFY WEATHER-RESISTIVE BARRIER IS FREE FROM PROTRUSIONS OR DAMAGE PRIOR TO CLADDING INSTALLATION.
9. CONTACT HENRY AT 800-773-4777 FOR TECHNICAL ASSISTANCE.



A CARLISLE COMPANY

999 N. Pacific Coast Highway, Suite 800
El Segundo, CA 90245
800-486-1278 • www.henry.com

**BLUESKIN VP100 SELF-ADHERED AIR BARRIER
NON-MOVING JOINTS**

**SUBSTRATE GAPS UP TO 2" (50MM) WIDE MAXIMUM
SELF-ADHERED FLASHING**

MANUFACTURER INSTALLATION GUIDELINES ARE FOR REFERENCE ONLY. HENRY DOES NOT ASSUME RESPONSIBILITY FOR ERRORS OR DEVIATIONS IN DESIGN OR ENGINEERING. PROJECT SPECIFIC VERIFICATION IS RECOMMENDED PRIOR TO INSTALLATION. DETAILS ARE NOT TO SCALE. REFER TO PRODUCT SPECIFIC TECHNICAL DATA SHEET FOR PRODUCT INFORMATION, RECOMMENDED AUXILIARY COMPONENTS AND INSTALLATION INSTRUCTIONS.

04-18-2022

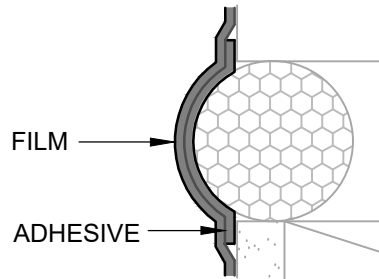
PAGE 1 OF 1

VPWRB-8C

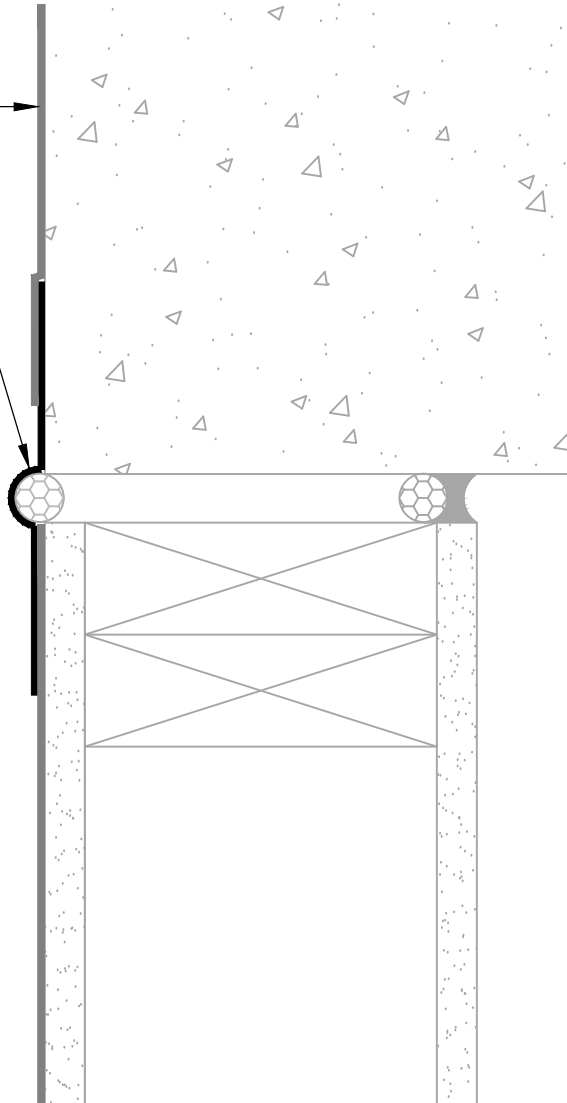
BLUESKIN VP100
LAP WRB 2" (50MM)
ONTO FLASHING

HENRY SELF-ADHERED
FLASHING
(SEE GAP FLASHING DETAIL)

CREATE CONVEX LOOP IN
MEMBRANE OVER BACKER ROD.
PRIOR TO INSTALLATION,
ADHERE MEMBRANE TO ITSELF
AND INSTALL TO PREVENT
ADHESION TO BACKER ROD.



GAP FLASHING
CONVEX LOOP FLASHING



**HENRY 1-2-3 MOISTURE CONTROL SYSTEM
WEATHER-RESISTIVE BARRIER (WRB)
INSTALLATION GUIDELINES**

NOTES

1. VISIT WWW.HENRY.COM/WARRANTY FOR ELIGIBILITY REQUIREMENTS OF THE 15-YEAR RESIDENTIAL AND LIGHT COMMERCIAL HENRY 1-2-3 MOISTURE CONTROL SYSTEM WARRANTY.
2. HENRY OFFERS **BLUESKIN VP100** IN THE UNITED STATES AND CANADA. PRODUCT AVAILABILITY AND WARRANTY OPTIONS MAY VARY BY LOCATION. REFER TO THE HENRY **BLUESKIN VP100** GUIDE SPECIFICATION FOR RECOMMENDED FLASHINGS, SEALANTS, AND SYSTEM INFORMATION.
3. SEE PRODUCT SPECIFIC TECHNICAL DATA SHEET FOR ROLL SIZES, MAXIMUM UV EXPOSURE, COMPATIBILITY CONCERNS, APPLICATION TEMPERATURES AND SERVICE TEMPERATURE LIMITATIONS.
4. CLADDING, INSULATION, AND OPTIONAL INTERIOR VAPOR BARRIER NOT SHOWN FOR CLARITY. REFER TO LOCAL CODE ORDINANCES FOR INSULATION AND VAPOR BARRIER REQUIREMENTS.
5. SUBSTRATES MUST BE CLEAN AND DRY.
6. SELF-ADHERED MEMBRANES MAY REQUIRE A PRIMER FOR OPTIMAL ADHESION TO SOME SURFACES AND/OR SUBSTRATE TEMPERATURES. REFER TO PRODUCT SPECIFIC TECHNICAL DATA SHEET FOR PRIMER REQUIREMENTS.
7. ROLL SELF-ADHERED MEMBRANES TO OBTAIN CONTINUOUS ADHESION.
8. VERIFY WEATHER-RESISTIVE BARRIER IS FREE FROM PROTRUSIONS OR DAMAGE PRIOR TO CLADDING INSTALLATION.
9. CONTACT HENRY AT 800-773-4777 FOR TECHNICAL ASSISTANCE.

Henry
A CARLISLE COMPANY

999 N. Pacific Coast Highway, Suite 800
El Segundo, CA 90245
800-486-1278 • www.henry.com

**BLUESKIN VP100 SELF-ADHERED AIR BARRIER
DEFLECTION JOINT**

**HORIZONTAL DEFLECTION JOINT
SELF-ADHERED FLASHING**

MANUFACTURER INSTALLATION GUIDELINES ARE FOR REFERENCE ONLY. HENRY DOES NOT ASSUME RESPONSIBILITY FOR ERRORS OR DEVIATIONS IN DESIGN OR ENGINEERING. PROJECT SPECIFIC VERIFICATION IS RECOMMENDED PRIOR TO INSTALLATION. DETAILS ARE NOT TO SCALE. REFER TO PRODUCT SPECIFIC TECHNICAL DATA SHEET FOR PRODUCT INFORMATION, RECOMMENDED AUXILIARY COMPONENTS AND INSTALLATION INSTRUCTIONS.

04-18-2022

PAGE 1 OF 1

VPWRB-8D

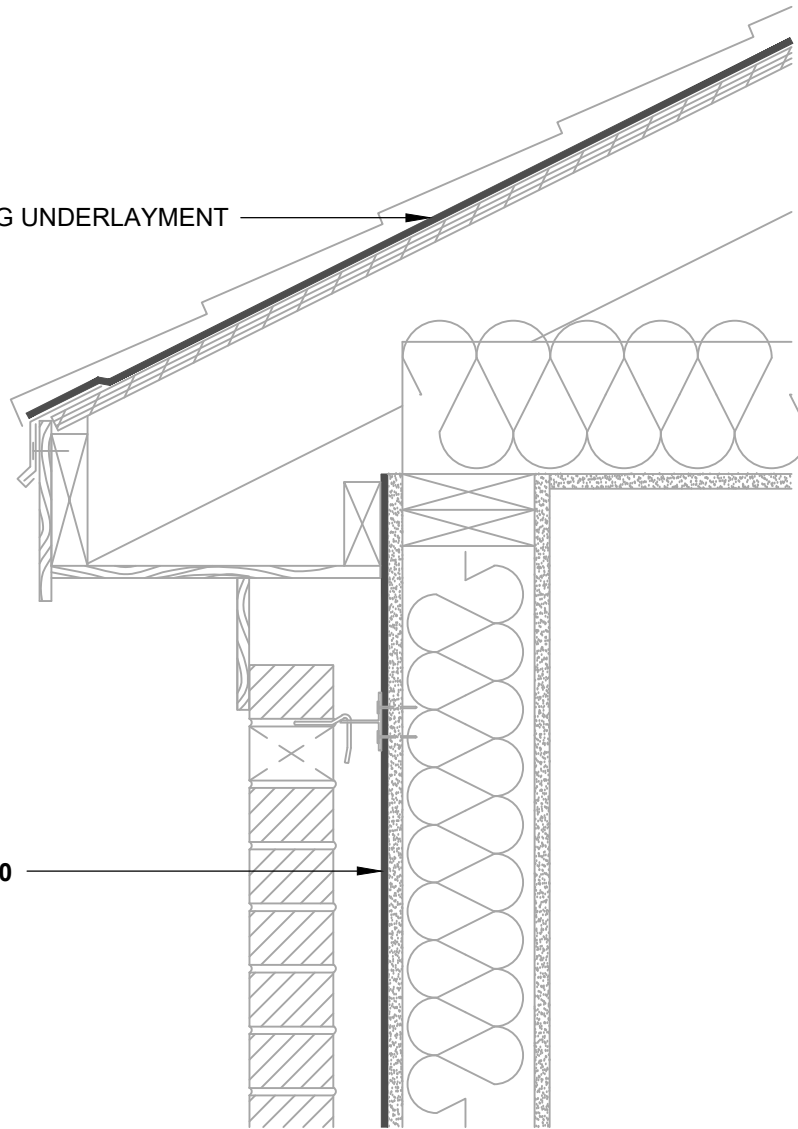


HENRY 1-2-3 MOISTURE CONTROL SYSTEM WEATHER-RESISTIVE BARRIER (WRB) INSTALLATION GUIDELINES

NOTES

1. VISIT WWW.HENRY.COM/WARRANTY FOR ELIGIBILITY REQUIREMENTS OF THE 15-YEAR RESIDENTIAL AND LIGHT COMMERCIAL HENRY 1-2-3 MOISTURE CONTROL SYSTEM WARRANTY.
2. HENRY OFFERS **BLUESKIN VP100** IN THE UNITED STATES AND CANADA. PRODUCT AVAILABILITY AND WARRANTY OPTIONS MAY VARY BY LOCATION. REFER TO THE HENRY **BLUESKIN VP100** GUIDE SPECIFICATION FOR RECOMMENDED FLASHINGS, SEALANTS, AND SYSTEM INFORMATION.
3. SEE PRODUCT SPECIFIC TECHNICAL DATA SHEET FOR ROLL SIZES, MAXIMUM UV EXPOSURE, COMPATIBILITY CONCERNS, APPLICATION TEMPERATURES AND SERVICE TEMPERATURE LIMITATIONS.
4. OPTIONAL INTERIOR VAPOR BARRIER NOT SHOWN FOR CLARITY. REFER TO LOCAL CODE ORDINANCES FOR INSULATION AND VAPOR BARRIER REQUIREMENTS.
5. SUBSTRATES MUST BE CLEAN AND DRY.
6. SELF-ADHERED MEMBRANES MAY REQUIRE A PRIMER FOR OPTIMAL ADHESION TO SOME SURFACES AND/OR SUBSTRATE TEMPERATURES. REFER TO PRODUCT SPECIFIC TECHNICAL DATA SHEET FOR PRIMER REQUIREMENTS.
7. ROLL SELF-ADHERED MEMBRANES TO OBTAIN CONTINUOUS ADHESION.
8. VERIFY WEATHER-RESISTIVE BARRIER IS FREE FROM PROTRUSIONS OR DAMAGE PRIOR TO CLADDING INSTALLATION.
9. CONTACT HENRY AT 800-773-4777 FOR TECHNICAL ASSISTANCE.

HENRY ROOFING UNDERLAYMENT
AS SPECIFIED



BLUESKIN VP100

Henry

A CARLISLE COMPANY

999 N. Pacific Coast Highway, Suite 800
El Segundo, CA 90245
800-486-1278 • www.henry.com

BLUESKIN VP100 SELF-ADHERED AIR BARRIER SLOPED ROOF TRANSITION

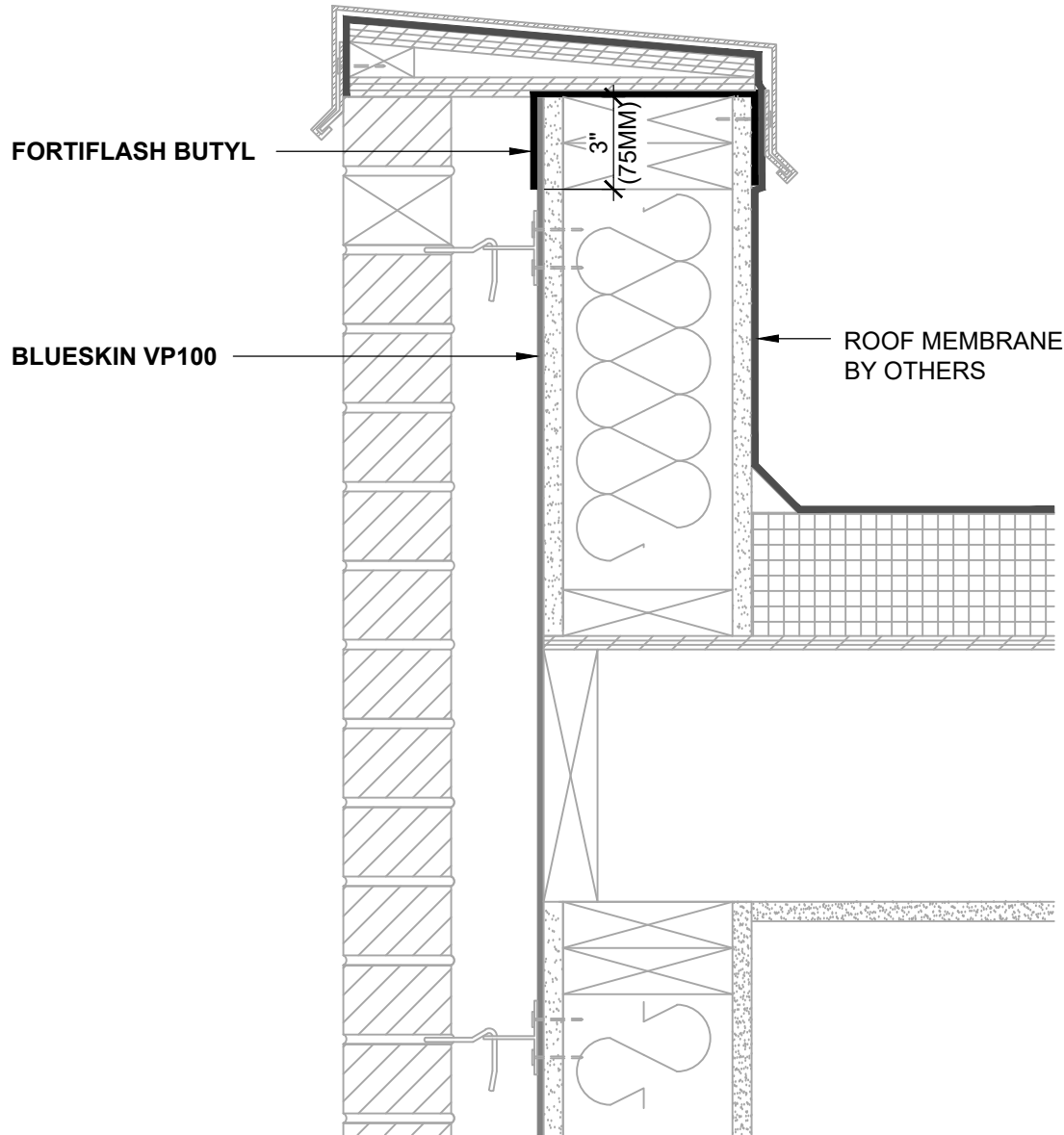
BLUESKIN VP100 AND HENRY ROOFING UNDERLAYMENT
TOP OF WALL CONNECTION AT A SLOPED ROOF

MANUFACTURER INSTALLATION GUIDELINES ARE FOR REFERENCE ONLY. HENRY DOES NOT ASSUME RESPONSIBILITY FOR ERRORS OR DEVIATIONS IN DESIGN OR ENGINEERING. PROJECT SPECIFIC VERIFICATION IS RECOMMENDED PRIOR TO INSTALLATION. DETAILS ARE NOT TO SCALE. REFER TO PRODUCT SPECIFIC TECHNICAL DATA SHEET FOR PRODUCT INFORMATION, RECOMMENDED AUXILIARY COMPONENTS AND INSTALLATION INSTRUCTIONS.

04-18-2022

PAGE 1 OF 1

VPWRB-9A



**HENRY 1-2-3 MOISTURE CONTROL SYSTEM
WEATHER-RESISTIVE BARRIER (WRB)
INSTALLATION GUIDELINES**

NOTES

1. VISIT WWW.HENRY.COM/WARRANTY FOR ELIGIBILITY REQUIREMENTS OF THE 15-YEAR RESIDENTIAL AND LIGHT COMMERCIAL HENRY 1-2-3 MOISTURE CONTROL SYSTEM WARRANTY.
2. HENRY OFFERS **BLUESKIN VP100** IN THE UNITED STATES AND CANADA. PRODUCT AVAILABILITY AND WARRANTY OPTIONS MAY VARY BY LOCATION. REFER TO THE HENRY **BLUESKIN VP100** GUIDE SPECIFICATION FOR RECOMMENDED FLASHINGS, SEALANTS, AND SYSTEM INFORMATION.
3. SEE PRODUCT SPECIFIC TECHNICAL DATA SHEET FOR ROLL SIZES, MAXIMUM UV EXPOSURE, COMPATIBILITY CONCERNS, APPLICATION TEMPERATURES AND SERVICE TEMPERATURE LIMITATIONS.
4. OPTIONAL INTERIOR VAPOR BARRIER NOT SHOWN FOR CLARITY. REFER TO LOCAL CODE ORDINANCES FOR INSULATION AND VAPOR BARRIER REQUIREMENTS.
5. SUBSTRATES MUST BE CLEAN AND DRY.
6. SELF-ADHERED MEMBRANES MAY REQUIRE A PRIMER FOR OPTIMAL ADHESION TO SOME SURFACES AND/OR SUBSTRATE TEMPERATURES. REFER TO PRODUCT SPECIFIC TECHNICAL DATA SHEET FOR PRIMER REQUIREMENTS.
7. ROLL SELF-ADHERED MEMBRANES TO OBTAIN CONTINUOUS ADHESION.
8. VERIFY WEATHER-RESISTIVE BARRIER IS FREE FROM PROTRUSIONS OR DAMAGE PRIOR TO CLADDING INSTALLATION.
9. CONTACT HENRY AT 800-773-4777 FOR TECHNICAL ASSISTANCE.

Henry[®]

A CARLISLE COMPANY

999 N. Pacific Coast Highway, Suite 800
El Segundo, CA 90245
800-486-1278 • www.henry.com

**BLUESKIN VP100 SELF-ADHERED AIR BARRIER
PARAPET TRANSITION**

**BLUESKIN VP100 INSTALLED ON FRONT OF WALL
AND ROOFING ASSEMBLY INSTALLED ON BACK OF WALL**

MANUFACTURER INSTALLATION GUIDELINES ARE FOR REFERENCE ONLY. HENRY DOES NOT ASSUME RESPONSIBILITY FOR ERRORS OR DEVIATIONS IN DESIGN OR ENGINEERING. PROJECT SPECIFIC VERIFICATION IS RECOMMENDED PRIOR TO INSTALLATION. DETAILS ARE NOT TO SCALE. REFER TO PRODUCT SPECIFIC TECHNICAL DATA SHEET FOR PRODUCT INFORMATION, RECOMMENDED AUXILIARY COMPONENTS AND INSTALLATION INSTRUCTIONS.

04-18-2022

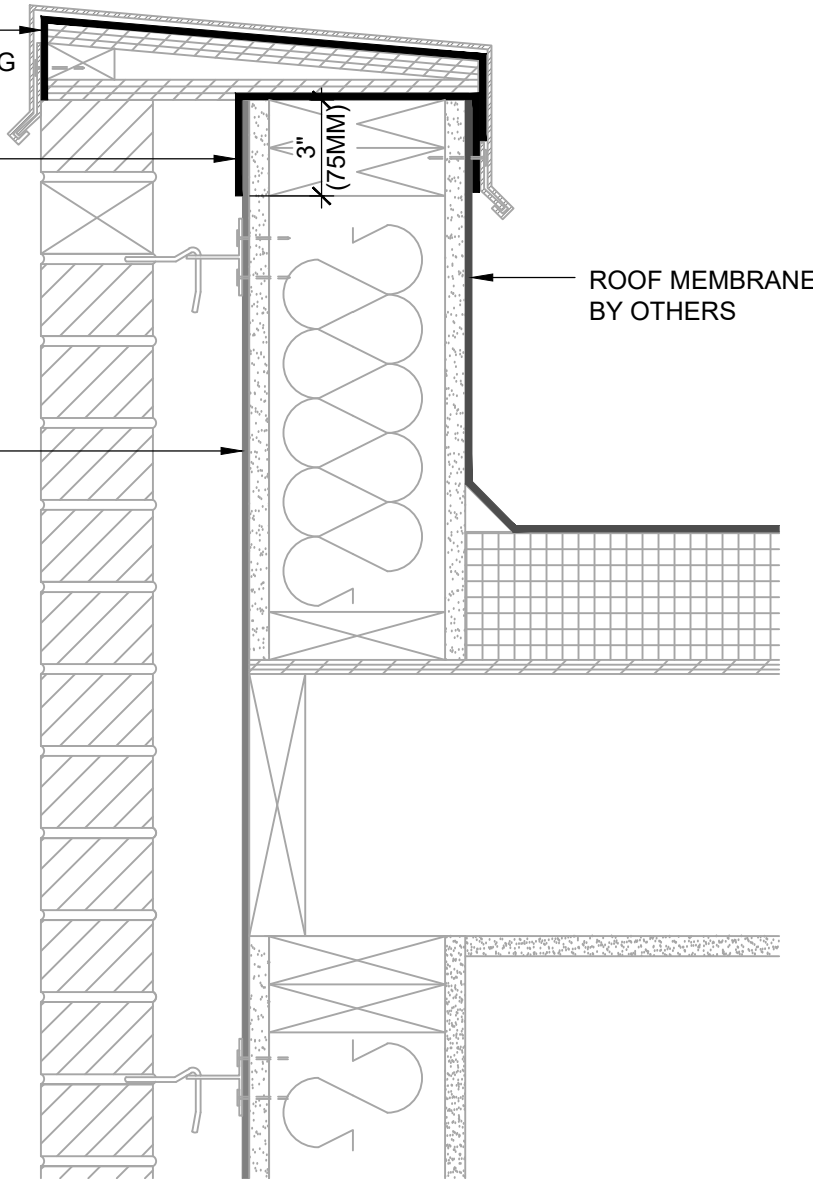
PAGE 1 OF 1

VPWRB-9B

HENRY HIGH
TEMPERATURE ROOFING
UNDERLAYMENT

FORTIFLASH BUTYL

BLUESKIN VP100



ROOF MEMBRANE
BY OTHERS



HENRY 1-2-3 MOISTURE CONTROL SYSTEM WEATHER-RESISTIVE BARRIER (WRB) INSTALLATION GUIDELINES

NOTES

1. VISIT WWW.HENRY.COM/WARRANTY FOR ELIGIBILITY REQUIREMENTS OF THE 15-YEAR RESIDENTIAL AND LIGHT COMMERCIAL HENRY 1-2-3 MOISTURE CONTROL SYSTEM WARRANTY.
2. HENRY OFFERS **BLUESKIN VP100** IN THE UNITED STATES AND CANADA. PRODUCT AVAILABILITY AND WARRANTY OPTIONS MAY VARY BY LOCATION. REFER TO THE HENRY **BLUESKIN VP100** GUIDE SPECIFICATION FOR RECOMMENDED FLASHINGS, SEALANTS, AND SYSTEM INFORMATION.
3. SEE PRODUCT SPECIFIC TECHNICAL DATA SHEET FOR ROLL SIZES, MAXIMUM UV EXPOSURE, COMPATIBILITY CONCERNS, APPLICATION TEMPERATURES AND SERVICE TEMPERATURE LIMITATIONS.
4. OPTIONAL INTERIOR VAPOR BARRIER NOT SHOWN FOR CLARITY. REFER TO LOCAL CODE ORDINANCES FOR INSULATION AND VAPOR BARRIER REQUIREMENTS.
5. SUBSTRATES MUST BE CLEAN AND DRY.
6. SELF-ADHERED MEMBRANES MAY REQUIRE A PRIMER FOR OPTIMAL ADHESION TO SOME SURFACES AND/OR SUBSTRATE TEMPERATURES. REFER TO PRODUCT SPECIFIC TECHNICAL DATA SHEET FOR PRIMER REQUIREMENTS.
7. ROLL SELF-ADHERED MEMBRANES TO OBTAIN CONTINUOUS ADHESION.
8. VERIFY WEATHER-RESISTIVE BARRIER IS FREE FROM PROTRUSIONS OR DAMAGE PRIOR TO CLADDING INSTALLATION.
9. CONTACT HENRY AT 800-773-4777 FOR TECHNICAL ASSISTANCE.

Henry
A CARLISLE COMPANY

999 N. Pacific Coast Highway, Suite 800
El Segundo, CA 90245
800-486-1278 • www.henry.com

BLUESKIN VP100 SELF-ADHERED AIR BARRIER PARAPET TRANSITION

BLUESKIN VP100 INSTALLED ON FRONT OF WALL
AND BLUESKIN VP100 INSTALLED ON BACK OF WALL

MANUFACTURER INSTALLATION GUIDELINES ARE FOR REFERENCE ONLY. HENRY DOES NOT ASSUME RESPONSIBILITY FOR ERRORS OR DEVIATIONS IN DESIGN OR ENGINEERING. PROJECT SPECIFIC VERIFICATION IS RECOMMENDED PRIOR TO INSTALLATION. DETAILS ARE NOT TO SCALE. REFER TO PRODUCT SPECIFIC TECHNICAL DATA SHEET FOR PRODUCT INFORMATION, RECOMMENDED AUXILIARY COMPONENTS AND INSTALLATION INSTRUCTIONS.

04-18-2022

PAGE 1 OF 1

VPWRB-9C

Warranty

Residential and Light Commercial Henry® 1-2-3 Moisture Control System™ Warranty

This system is expressly warranted for a period of fifteen (15) years from purchase that it will perform to Henry Company LLC (and its subsidiaries and affiliates, hereinafter collectively “Henry”) published specifications when installed according to Henry installation procedures and accepted industry standards or following installation details prepared by a properly licensed design professional. In the event of a warranty claim, Henry will pay the cost of materials and labor to correct leaks that result solely from the failure of Henry product as expressly warranted above.

The installed system must include one of each of the following three items:

1. A Weather resistive barrier (Blueskin® VP 100, WeatherSmart®, WeatherSmart Drainable, WeatherSmart D, WeatherSmart Commercial, Hydro Tex®, Super Jumbo Tex®, or Jumbo Tex brands)
2. Flashing (FortiFlash®, FortiFlash Butyl, FortiFlash 365, FortiFlex® Butyl, Moistop neXT®, Moistop PF®, Moistop EZ Seal®, Blueskin® Butyl Flash or Air-Bloc LF®)
3. Sealant (Moistop® Sealant)

When the complete system is used with all of the above components, any of the following accessories used (Moistop® Corner Shields, WeatherSmart® Rainscreen, Aquatac® Primer, Sheathing Tape) will also be covered by this warranty.

TO THE EXTENT PERMITTED BY APPLICABLE LAW, HENRY DISCLAIMS ALL OTHER WARRANTIES, GUARANTEES, CONDITIONS AND REPRESENTATIONS, EXPRESS OR IMPLIED, ORAL OR WRITTEN, STATUTORY OR OTHERWISE, INCLUDING BUT NOT LIMITED TO ANY IMPLIED CONDITIONS OR WARRANTIES AS TO THE MERCHANTABILITY OR FITNESS FOR A PARTICULAR PURPOSE.

THIS WARRANTY SHALL BE THE OWNER’S SOLE AND EXCLUSIVE REMEDY AGAINST HENRY AND UNDER NO CIRCUMSTANCES SHALL HENRY BE LIABLE FOR (1) ANY DAMAGES BASED ON ANY LEGAL THEORY OF LIABILITY OTHER THAN THE EXCLUSIVE LIABILITY SET FORTH IN THIS WARRANTY OR (2) ANY DIRECT, INDIRECT, CONSEQUENTIAL, EXEMPLARY, SPECIAL, INCIDENTAL OR OTHER DAMAGES INCLUDING, BUT NOT LIMITED TO, LOSS OF PROFITS, LOSS OF USE, OR DAMAGE TO THE BUILDING OR ITS CONTENTS.

IF ANY TERM OR CONDITION OF THIS WARRANTY IS LIMITED BY APPLICABLE LAW, THEN SUCH TERM OR CONDITION IS DEEMED SEVERED TO THE EXTENT SO LIMITED.

Warranty claims must be made in writing to Henry by email at warranty@henry.com no later than thirty (30) days after a potential claim covered under this warranty is or should by reasonable diligence have been discovered. Failure to give such notice within the time stated herein shall relieve Henry of all liability and any obligation to repair any leak otherwise covered by this warranty.

If the installation or use of these products do not qualify for this fifteen (15) year warranty, Henry’s standard product warranty will apply.

Henry Standard Product Warranty Information

We, the manufacturer, warrant only that this product is free of defects, since many factors which affect the results obtained from this product – such as weather, workmanship, equipment utilized, and prior condition of the substrate – are all beyond our control. We will replace at no charge any product proved to have a material defect within 12-months of purchase, provided it has been applied in accordance with our written directions for uses we recommend as suitable for this product. Proof of purchase must be provided.

DISCLAIMER OF WARRANTIES AND LIMITATION OF LIABILITY: THIS LIMITED WARRANTY IS IN LIEU OF ANY OTHER WARRANTIES, EXPRESS OR IMPLIED, INCLUDING BUT NOT LIMITED TO ANY IMPLIED WARRANTY OF MERCHANTABILITY OR FITNESS FOR A PARTICULAR PURPOSE. NO ONE, INCLUDING THE MANUFACTURER, SHALL HAVE ANY LIABILITY OF ANY KIND BEYOND PRODUCT REPLACEMENT, INCLUDING FOR NEGLIGENCE OR FOR DIRECT, CONSEQUENTIAL, EXEMPLARY OR INCIDENTAL DAMAGES, RESULTING FROM ANY MISUSE, DEFECTS OR DELAYS CAUSED BY REPLACEMENT OR OTHERWISE. IF PURCHASER DOES NOT ACCEPT THESE TERMS, PURCHASER MAY RETURN WITHIN 30-DAYS OF PURCHASE ALL UNOPENED CONTAINERS OR PACKAGES OF PRODUCT PURCHASED FOR A FULL REFUND. RETENTION OF PRODUCT BEYOND 30-DAYS, OR USE OF PRODUCT SHALL CONSTITUTE ACCEPTANCE OF THESE TERMS, CONDITIONS, AND DISCLAIMERS. THIS LIMITED WARRANTY AND LIABILITY DISCLAIMER PROVIDES THE PURCHASER'S EXCLUSIVE REMEDY FOR ANYTHING RELATING TO THE PRODUCT.

To the extent that any part of this LIMITED PRODUCT WARRANTY AND LIABILITY DISCLAIMER is determined unenforceable under the law of the place of purchase of the product, that part is severed and the remainder of these terms remain in full force and effect. To the extent permitted by law, the duration of any implied warranties is limited to the duration of Henry's express warranty.

This warranty language supersedes any language including product labels, sell sheets and/or technical documents.

For additional information on Henry's warranty programs, including Henry's standard product warranty, visit <https://us.henry.com/warranty>



ICC-ES Evaluation Report

ESR-2975

Reissued May 2022

This report is subject to renewal May 2023.

DIVISION: 07 00 00—THERMAL AND MOISTURE PROTECTION
Section: 07 25 00—Water-Resistive Barriers/Weather Barriers
Section: 07 27 00—Air Barriers

REPORT HOLDER:

HENRY COMPANY

EVALUATION SUBJECT:

HENRY BLUESKIN® VP100 AND BLUESKIN® VP160 SELF-ADHERED MEMBRANES

1.0 EVALUATION SCOPE

1.1 Compliance with the following codes:

- 2021, 2018, 2015, 2012, 2009 and 2006 *International Building Code*® (IBC)
- 2021, 2018, 2015, 2012, 2009 and 2006 *International Residential Code*® (IRC)
- 2021, 2018, 2015, 2012, 2009 and 2006 *International Energy Conservation Code*® (IECC)
- 2013 *Abu Dhabi International Building Code* (ADIBC)†

†The ADIBC is based on the 2009 IBC. 2009 IBC code sections referenced in this report are the same sections in the ADIBC.

Properties evaluated:

- Water resistance
- Air leakage
- Surface-burning characteristics

1.2 Evaluation to the following green code(s) and/or standards:

- 2019 California Green Building Standards Code (CALGreen), Title 24, Part 11
- 2018, 2015 and 2012 *International Green Construction Code*® (IgCC)
- 2017, 2014 and 2011 ANSI/ASHRAE/USGBC/IES Standard 189.1—Standard for the Design of High-Performance Green Buildings, Except Low-Rise Residential Buildings
- 2020, 2015, 2012 and 2008 ICC 700 *National Green Building Standard*™ (ICC 700-2015, ICC 700-2012 and ICC 700-2008)

Attributes verified:

See Section 2.0

2.0 USES

Henry BLUESKIN® VP100 and BLUESKIN® VP160 self-adhered membranes are used as water-resistive barriers on the exterior side of exterior walls of buildings of any construction type under the IBC and construction permitted under the IRC. Under the 2021, 2018, 2015 and 2012 IBC, BLUESKIN® VP100 and BLUESKIN® VP160 may be used on buildings of Type I, II, III and IV construction that are not greater than 40 feet (12.2 m) in height above grade in accordance with 2021 and 2018 IBC Section 1402.5 (2015 and 2012 IBC Section 1403.5), except as permitted in Exception 1 of Section 1402.5 of the 2021 and 2018 IBC (Section 1403.5 of the 2015 IBC).

The membranes have a water resistance greater than that of a 60-minute Grade D paper, which is permitted in Section 2510.6 of the 2021 IBC (the exception to Section 2510.6 of the 2012, 2009 and 2006 IBC) and Section R703.7.3 of the 2021, 2018 and 2015 IRC (2012, 2009 and 2006 Section R703.6.3 of the IRC). The membranes may be used as an air barrier material under IRC Section N1102.4.1 and 2021, 2018 and 2015 IECC Sections C402.5 and R402.4 [2012 IECC Sections C402.4 and R402.4 (2009 and 2006 IECC Sections 402.4 and 502.4)].

The attributes of the self-adhered membranes have been verified as conforming to the provisions of (i) CALGreen Section 5.407.1 for water-resistive barriers and Section A4.407.5 for air barriers; (ii) 2012 and 2015 IgCC Section 605.1.2.1 for air barriers; (iii) 2014 ASHRAE 189.1 Section 7.3.1.1 and 2011 ASHRAE 189.1 Section 7.4.2.9 for air barriers; (iv) ICC 700-2015 Section 602.1.8, 11.602.1.8 and 12.6.602.1.8; (v) ICC 700-2012 Section 602.1.8, 11.602.1.8 and 12.5.602.1.8; and (vi) ICC 700-2008 Section 602.9 for water-resistive barriers. Note that decisions on compliance for those areas rest with the user of this report. The user is advised of the project-specific provisions that may be contingent upon meeting specific conditions, and the verification of those conditions is outside the scope of this report. These codes or standards often provide supplemental information as guidance.

3.0 DESCRIPTION

3.1 General:

Henry BLUESKIN® VP100 and BLUESKIN® VP160 membranes are comprised of an engineered polymeric-

based sheet, bonded with a permeable adhesive layer, and a split-back poly-release film on the adhesive side.

3.2 Henry BLUESKIN® VP100 and BLUESKIN VP160 Self-adhered Membranes:

The membranes have a flame-spread index of 25 or less and a smoke-developed index of 450 or less, when tested in accordance of ASTM E84.

The Henry BLUESKIN® VP100 membrane has a nominal thickness of 0.019 inch (0.457 mm) and the Henry BLUESKIN® VP160 membrane has a nominal thickness of 0.023 inch (0.584 mm). Both Henry BLUESKIN® VP100 and BLUESKIN® VP160 membranes are produced in rolls of varying lengths and widths.

The membranes have an air leakage rate not exceeding 0.02 L/s-m² at 75 Pa [0.004 cfm/ft² at 0.3 w.g. (1.57 psf)].

4.0 INSTALLATION

4.1 General:

Installation of Henry BLUESKIN® VP100 and BLUESKIN® VP160 membranes must comply with this report and the report holder's published installation instructions. The report holder's published installation instructions must be available at the jobsite at all times during the installation.

Prior to installation of the membranes, the substrate surface must be sound, dry, clean, and free of oil, grease, dirt, excess mortar, loose nails and other protrusions, and other contaminants that would be detrimental to adhesion of the membranes. Installation is limited to plywood, OSB, aluminum and Georgia Pacific DensGlass sheathing substrates. Henry BLUESKIN® VP100 and BLUESKIN® VP160 membrane must be installed only when the ambient air and substrate temperature is at least 20°F (-7°C). When the ambient air or substrate temperature is below 40°F (5°C), the substrate must be prepared according to the report holder's published installation instructions.

4.2 Water-resistive Barrier:

When installed as a water-resistive barrier, the membrane must be installed over the exterior face of the exterior wall sheathings that are attached to wall framing, and must be installed in a consecutive weather board manner. The membrane roll must be placed at the starting wall corner, and is then unrolled around the building. A minimum of 3 inches (76 mm) of overlap is provided for vertical seams and a minimum of 2 inches (51 mm) for horizontal seams, except where the report holder's installation instructions specify a greater overlapping dimension. When use is over wood-based sheathing in exterior plaster applications, the installation must be in accordance with 2012, 2009 and 2006 IBC Section 2510.6 or 2018 and 2015 IRC Section R703.7.3 [2012, 2009 and 2006 IRC Section R703.6.3].

When used over wood based sheathing in exterior plaster applications in accordance with 2021 IBC Section 2510.6 and 2021 IRC Section R703.7.3 installations must be as follows:

- For dry climate zones (B) in accordance with 2021 IBC Section 2510.6.1 or 2021 IRC Section R703.7.3.1, for the product must be applied in accordance with 2021 IBC Section 2510.6.1 Item 1 or 2 and 2021 IRC Section R703.7.3.1 Item 1 or 2, as applicable.

- For moist climate zones (A) or marine climate zones (C) in accordance with 2021 IBC Section 2510.6.2 or 2021 IRC Section R703.7.3.2, the product must be applied in accordance the dry climate zone (B) provisions noted above and with the additional requirements noted in 2021 IBC

Section 2510.6.2 Item 1 or 2021 IRC Section R703.7.3.2 Item 1, as applicable.

For cementitious coatings or exterior insulation and finish systems, installation of the membrane must be in accordance with a current ICC-ES evaluation report on the exterior coating.

4.3 Air Barrier:

When used as an air barrier under IRC Section N1102.4.1 and 2021, 2018 and 2015 IECC Section C402.5 and R402.4 [2012 IECC Section C402.4 and R402.4 (2009 and 2006 IECC Section 402.4 or 502.4)], the membrane must be installed in accordance with the report holder's published installation instructions and this report.

5.0 CONDITIONS OF USE

Henry BLUESKIN® VP100 and BLUESKIN® VP160 self-adhered membranes described in this report comply with, or are suitable alternatives to what is specified in, those codes listed in Section 1.0 of this report, subject to the following conditions:

- 5.1 The membranes must be installed in accordance with the report holder's published installation instructions, the requirements of the applicable code, and this report. In the event of a conflict between this report and the report holder's published installation instructions, this report governs.
- 5.2 The membranes must be covered by an exterior wall covering complying with the requirements of the applicable code.
- 5.3 This evaluation report provides air leakage rates for the described membranes as an air barrier material only. The design and evaluation of the air barrier assembly, of which the self-adhered membranes are a component, are outside the scope of this report.

6.0 EVIDENCE SUBMITTED

- 6.1 Data in accordance with the ICC-ES Acceptance Criteria for Water-resistive Barriers (AC38), dated August 2016 (editorially revised July 2021).
- 6.2 Reports of tests for surface burning characteristics in accordance with ASTM E84.
- 6.3 Reports of air leakage tests in accordance with ASTM E2178.

7.0 IDENTIFICATION

- 7.1 Product labeling shall include, the name of the report holder or listee, and the ICC-ES mark of conformity. The listing or evaluation report number (ICC-ES ESR-2975) may be used in lieu of the mark of conformity. Henry BLUESKIN® VP100 and BLUESKIN® VP160 membranes described in this evaluation report must be identified by a label on the container of each roll of the membrane, and by printing at regular intervals on the membrane, that includes the name, address and telephone number of the manufacturer (Henry Company), and the evaluation report number (ESR-2975).
- 7.2 The report holder's contact information is the following:

HENRY COMPANY
999 NORTH SEPULVEDA BOULEVARD, SUITE 800
EL SEGUNDO, CALIFORNIA 90245
(310) 955-9200
cshenry@henry.com
www.henry.com

DIVISION: 07 00 00—THERMAL AND MOISTURE PROTECTION
Section: 07 25 00—Water-Resistive Barriers/Weather Barriers
Section: 07 27 00—Air Barriers

REPORT HOLDER:

HENRY COMPANY

EVALUATION SUBJECT:

HENRY BLUESKIN® VP100 AND BLUESKIN® VP160 SELF-ADHERED MEMBRANES

1.0 REPORT PURPOSE AND SCOPE**Purpose:**

The purpose of this evaluation report supplement is to indicate that Henry BLUESKIN® VP100 and BLUESKIN® VP160 self-adhered membranes, described in ICC-ES evaluation report ESR-2975, have also been evaluated for compliance with the codes noted below.

Applicable code editions:

- 2019 California Building Code (CBC)

For evaluation of applicable chapters adopted by the California Office of Statewide Health Planning and Development (OSHPD) and Division of State Architect (DSA), see Sections 2.1.1 and 2.1.2 below.

- 2019 California Residential Code (CRC)
- 2019 California Energy Code (CEC)

2.0 CONCLUSIONS**2.1 CBC:**

The Henry BLUESKIN® VP100 and BLUESKIN® VP160 self-adhered membranes, described in Sections 2.0 through 7.0 of the evaluation report ESR-2975, comply with CBC Chapter 14, provided the design and installation are in accordance with the 2018 *International Building Code*® (IBC) provisions noted in the evaluation report ESR-2975. Use as an air barrier must be in accordance with the CEC.

2.1.1 OSHPD:

The applicable OSHPD Sections and Chapters of the CBC are beyond the scope of this supplement.

2.1.2 DSA:

The applicable DSA Sections and Chapters of the CBC are beyond the scope of this supplement.

2.2 CRC:

The Henry BLUESKIN® VP100 and BLUESKIN® VP160 self-adhered membranes, described in Sections 2.0 through 7.0 of the evaluation report ESR-2975, comply with CRC Chapter 7, provided the design and installation are in accordance with the 2018 *International Residential Code*® (IRC) provisions noted in the evaluation report ESR-2975 and the applicable provisions of the CRC. Use as an air barrier must be in accordance with the CEC.

This supplement expires concurrently with the evaluation report, reissued May 2022.

LEED INFORMATION

PRODUCT: Blueskin VP 160
Blueskin VP 100

MR - CREDIT 4.x – RECYCLED CONTENT
RECYCLED CONTENT (POST-CONSUMER): 0%
RECYCLED CONTENT (POST-INDUSTRIAL): 0%

MR - CREDIT 5.x – REGIONAL MATERIALS
EXTRACTION SITE: Raw materials are sourced to Henry from various North American sources and extraction site of raw materials may vary without notice. As a result, the extraction site of materials used to manufacture this product is undetermined.

MANUFACTURING SITE: Kimberton PA 19442

MR- CREDIT 6 AND 7 – RAPIDLY RENEWABLE MATERIALS AND CERTIFIED WOOD
This product does not contain rapidly renewable materials or certified wood

* IEQ – CREDIT 4.1 – ADHESIVES AND SEALANTS
Product not applicable to this credit.

* IEQI – CREDIT 4.2 – PAINTS AND COATINGS
Product not applicable to this credit.

VOC Content 0 g/l

LEED INFORMATION

PRODUCT: Blueskin Weather Barrier

MR - CREDIT 4.x- RECYCLED CONTENT
RECYCLED CONTENT (POST-CONSUMER): 0%

RECYCLED CONTENT (POST-INDUSTRIAL): 0%

MR - CREDIT 5.x – REGIONAL MATERIALS

EXTRACTION SITE: **Raw materials are sourced to Henry from various North American sources and extraction site of raw materials may vary without notice. As a result, the extraction site of materials used to manufacture this product is undetermined.**

MANUFACTURING SITE: **Petrolia, Ont, Canada, N0N1R0**

MR- CREDIT 6 AND 7 – RAPIDLY RENEWABLE MATERIALS AND CERTIFIED WOOD

This product does not contain rapidly renewable materials or certified wood

* IEQ – CREDIT 4.1 – ADHESIVES AND SEALANTS

Product not applicable to this credit.

* IEQ – CREDIT 4.2 – PAINTS AND COATINGS

Product not applicable to this credit.

VOC Content 0 g/L