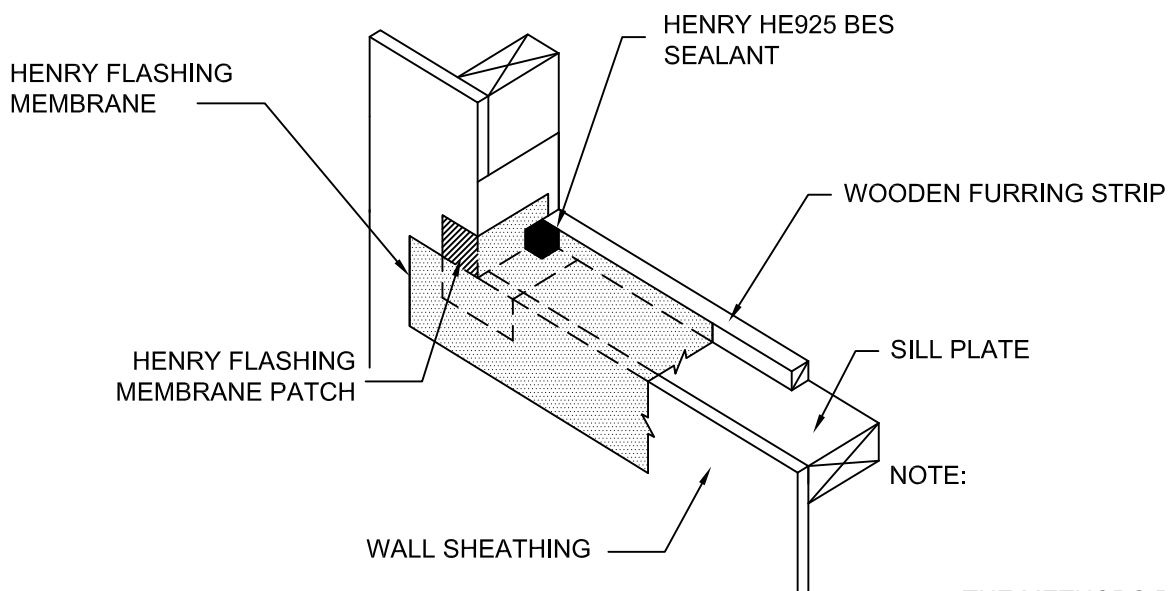


**OPTION A**



**OPTION B**

NOTE:

THE METHODS DEPICTED IN THIS DETAIL ARE APPLICABLE TO THE FOLLOWING HENRY WINDOW FLASHING MEMBRANES:

- BLUESKIN BUTYL FLASH
- BLUESKIN SA
- BLUESKIN WB
- METALCLAD



HENRY FLASHING MEMBRANES

SCALE: N.T.S.

WINDOW SILL PAN OPTIONS

FIT TO PAPER

**WINDOW  
FLASHING DETAIL**

**HC-WF101**