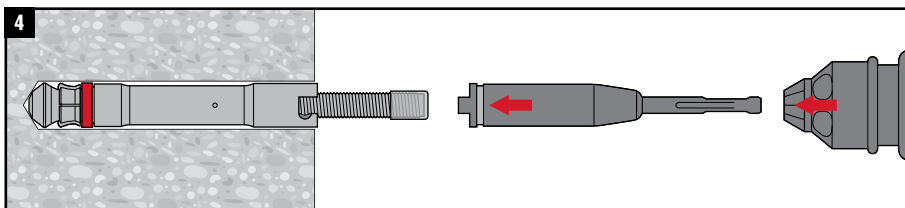
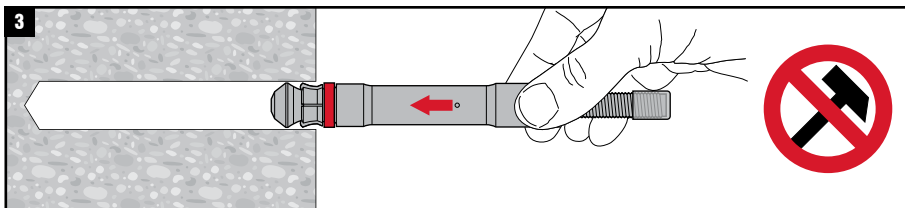
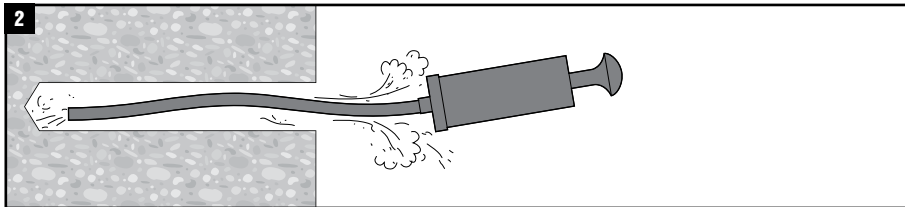
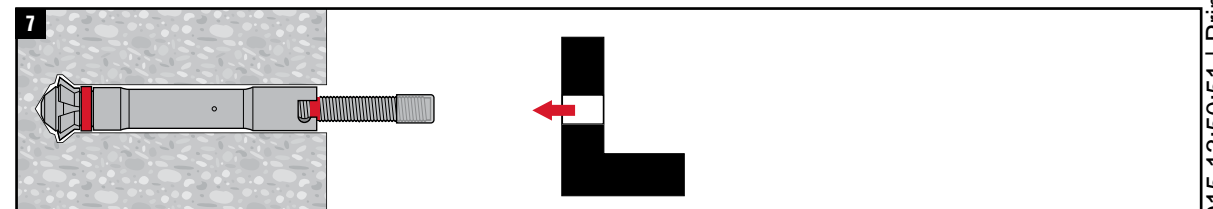
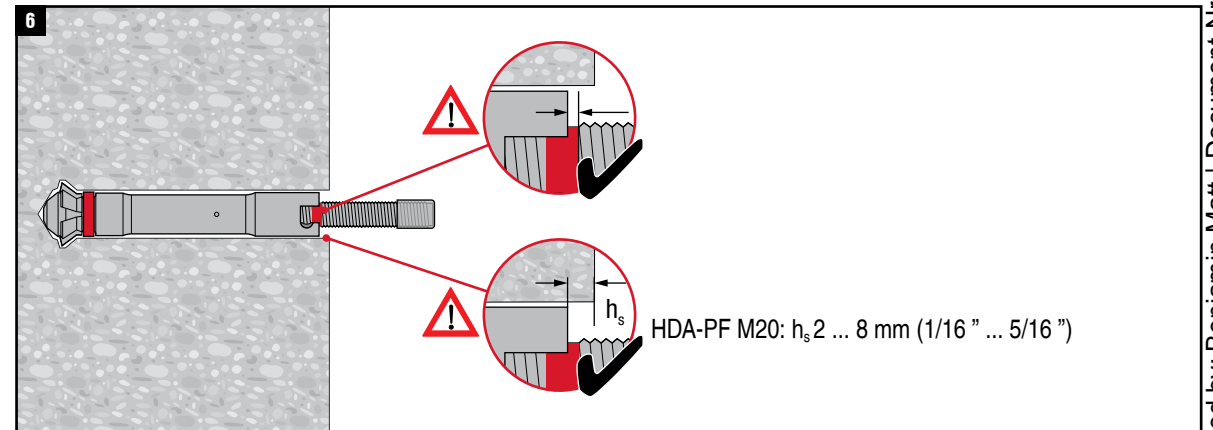
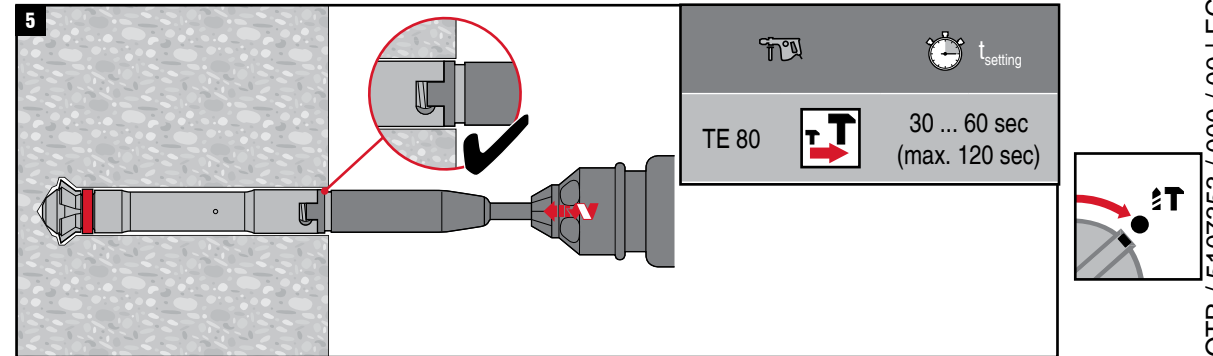


HDA-P	TE-Y (SDS max)
HDA-PF M20 x 250/50	TE-Y-HDA-B 37 x 250
HDA-PF M20 x 250/100	TE-Y-HDA-B 37 x 250



HDA-P	TE-Y (SDS max)
HDA-PF M20	TE 80

HDA-P	TE-Y (SDS max)
HDA-PF M20	TE-Y-HDA-ST37-M20



HDA-P	SW	$T_{inst}$
HDA-PF M20	30	300 Nm (221 ft-lb)