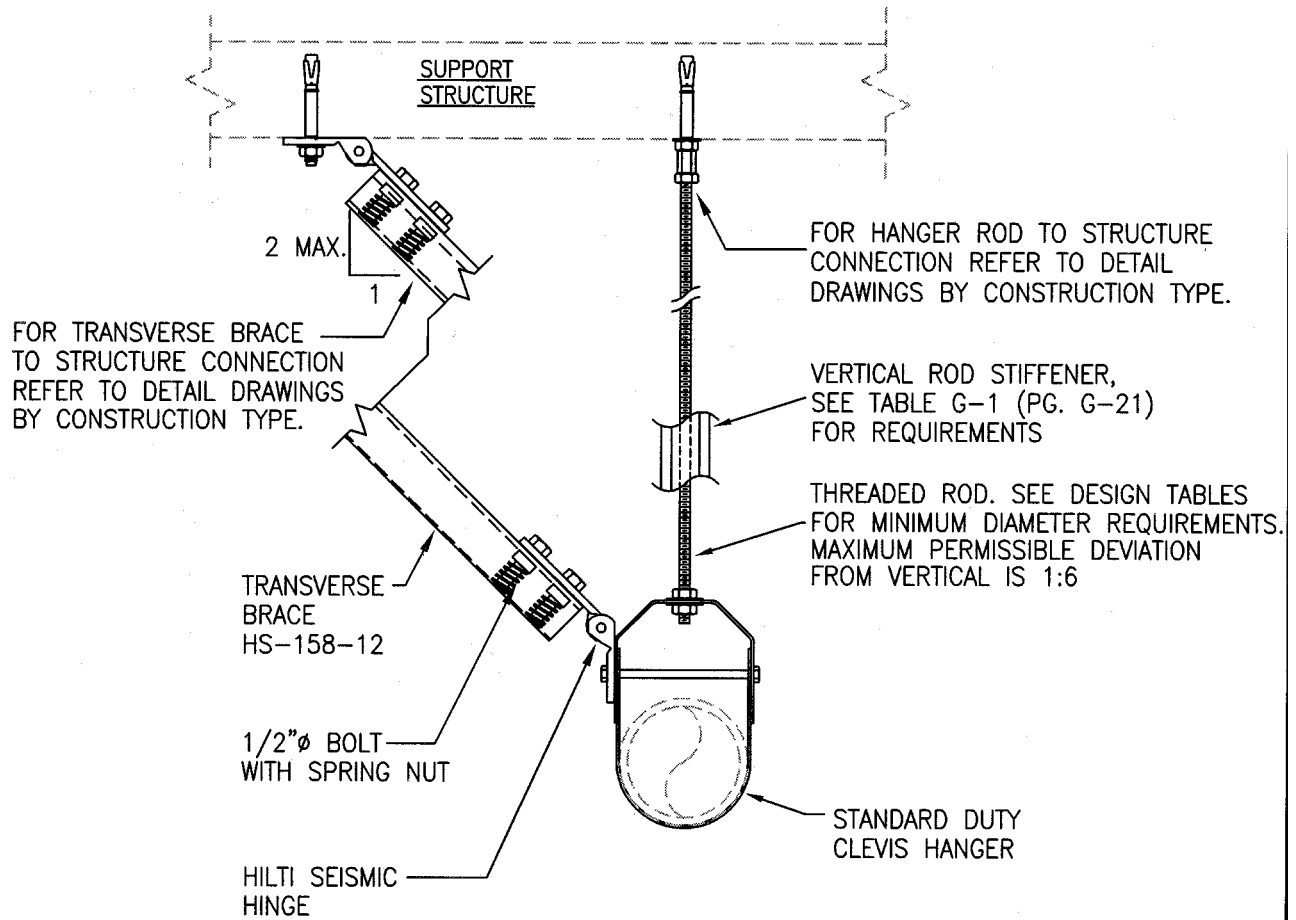


**NOTE:**

WHEN USED IN CONJUNCTION WITH DETAIL H-10, THIS CONFIGURATION MAY NOT BE USED TO CARRY LONGITUDINAL SEISMIC LOADS.



DETAIL H-01 – STANDARD DUTY CLEVIS HANGER  
(BRACED AT RESTRAINING BOLT)  
PIPE HANGER & BRACE  
INDIVIDUALLY SUPPORTED SYSTEMS

**A P P R O V E D**  
Fixed Equipment Anchorage  
Office of Statewide Health Planning and Development

**R- 0479**

**April 16, 2001**

\*\*\*\* Valid for 3 Years Maximum \*\*\*\*



*Bill Staehlin*  
Bill Staehlin (916) 654-3362



INSTALLATION SYSTEMS

5400 S. 122nd East Ave.  
Tulsa, Oklahoma 74146  
Phone: 1-800-879-8000  
Fax: 1-800-879-7000  
www.us.hilti.com



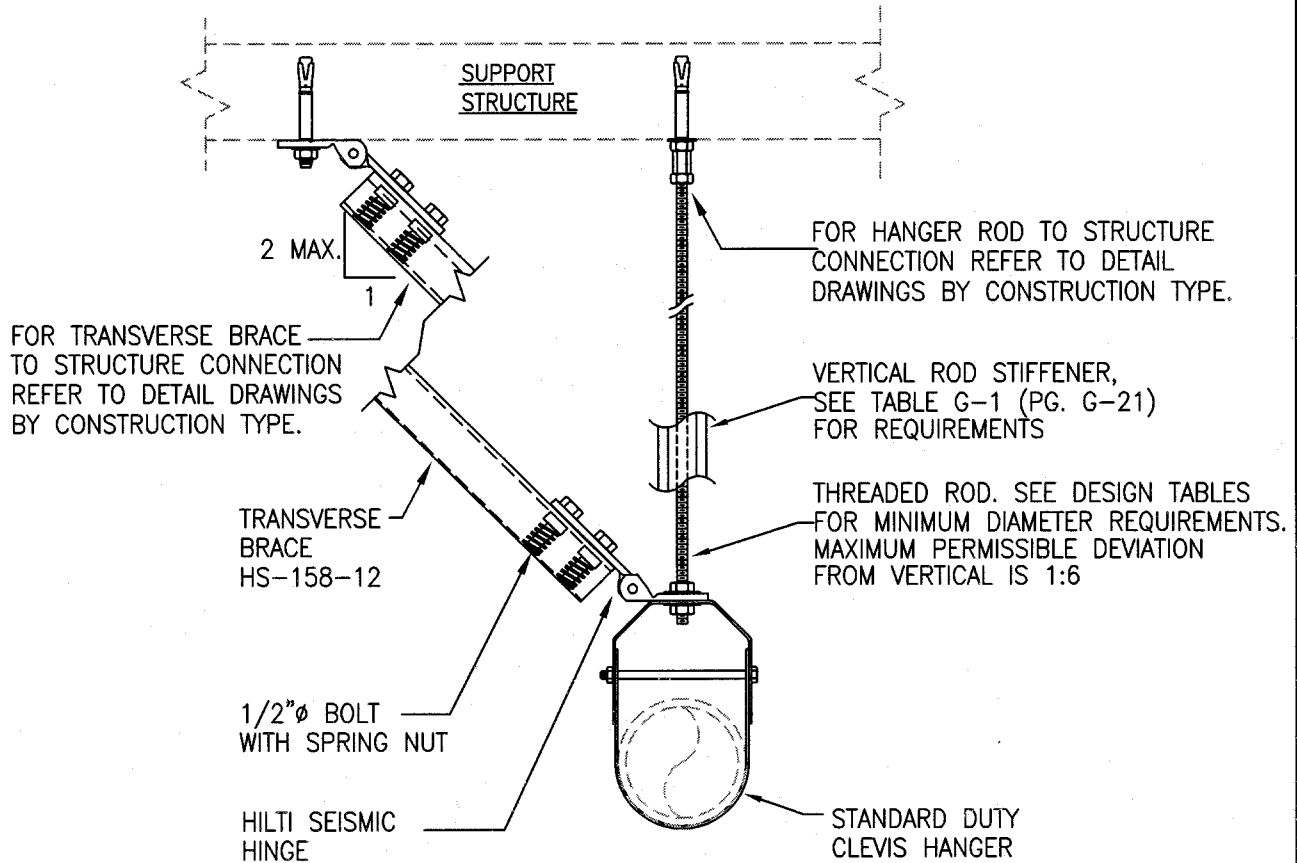
*Raymond S. Pugliesi*  
Raymond S. Pugliesi  
Structural Engineer  
California SE No. 3968

Page

**H-01**

**NOTE:**

WHEN USED IN CONJUNCTION WITH DETAIL H-10, THIS CONFIGURATION MAY NOT BE USED TO CARRY LONGITUDINAL SEISMIC LOADS.



DETAIL H-02 – STANDARD DUTY CLEVIS HANGER  
(BRACED AT HANGER ROD)  
PIPE HANGER & BRACE  
INDIVIDUALLY SUPPORTED SYSTEMS

**A P P R O V E D**  
Fixed Equipment Anchorage  
Office of Statewide Health Planning and Development

**R- 0479**

**April 16, 2001**

\*\*\*\* Valid for 3 Years Maximum \*\*\*\*



*Bill Staehlin*  
Bill Staehlin (916) 654-3362



INSTALLATION SYSTEMS

5400 S. 122nd East Ave.  
Tulsa, Oklahoma 74146  
Phone: 1-800-879-8000  
Fax: 1-800-879-7000  
www.us.hilti.com



*Raymond S. Pugliesi*

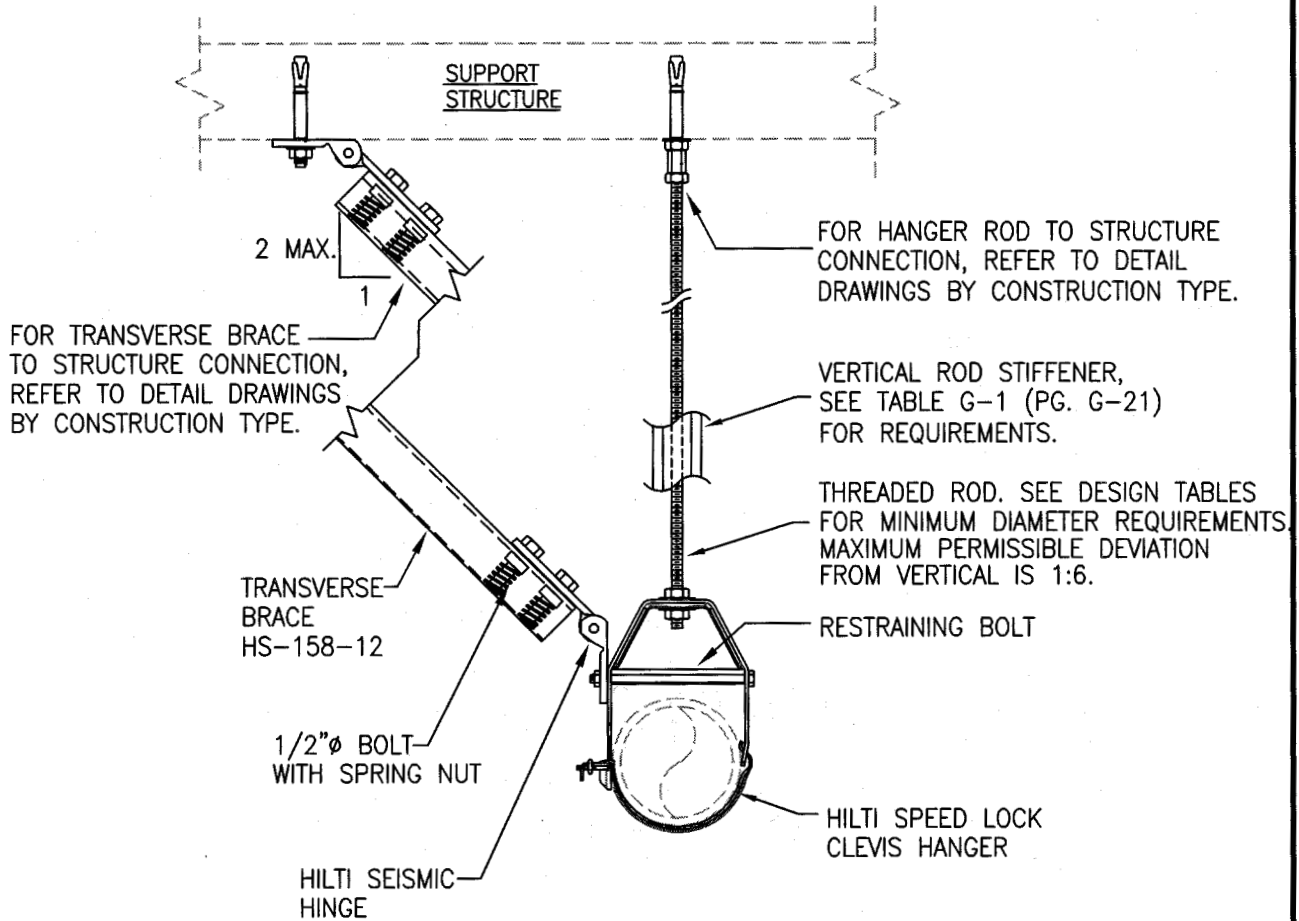
Raymond S. Pugliesi  
Structural Engineer  
California SE No. 3968

Page

**H-02**

**NOTE:**

WHEN USED IN CONJUNCTION WITH DETAIL H-10, THIS CONFIGURATION MAY NOT BE USED TO CARRY LONGITUDINAL SEISMIC LOADS.



**DETAIL H-03 - SPEED LOCK CLEVIS HANGER  
(BRACED AT RESTRAINING BOLT)  
PIPE HANGER & BRACE  
INDIVIDUALLY SUPPORTED SYSTEMS**

**APPROVED**  
Fixed Equipment Anchorage  
Office of Statewide Health Planning and Development

**R-0479 April 16, 2001**

\*\*\*\* Valid for 3 Years Maximum \*\*\*\*



*Bill Staehlin*  
Bill Staehlin (916) 654-3362



5400 S. 122nd East Ave.  
Tulsa, Oklahoma 74146  
Phone: 1-800-879-8000  
Fax: 1-800-879-7000  
www.us.hilti.com

INSTALLATION SYSTEMS



*Raymond S. Pugliesi*

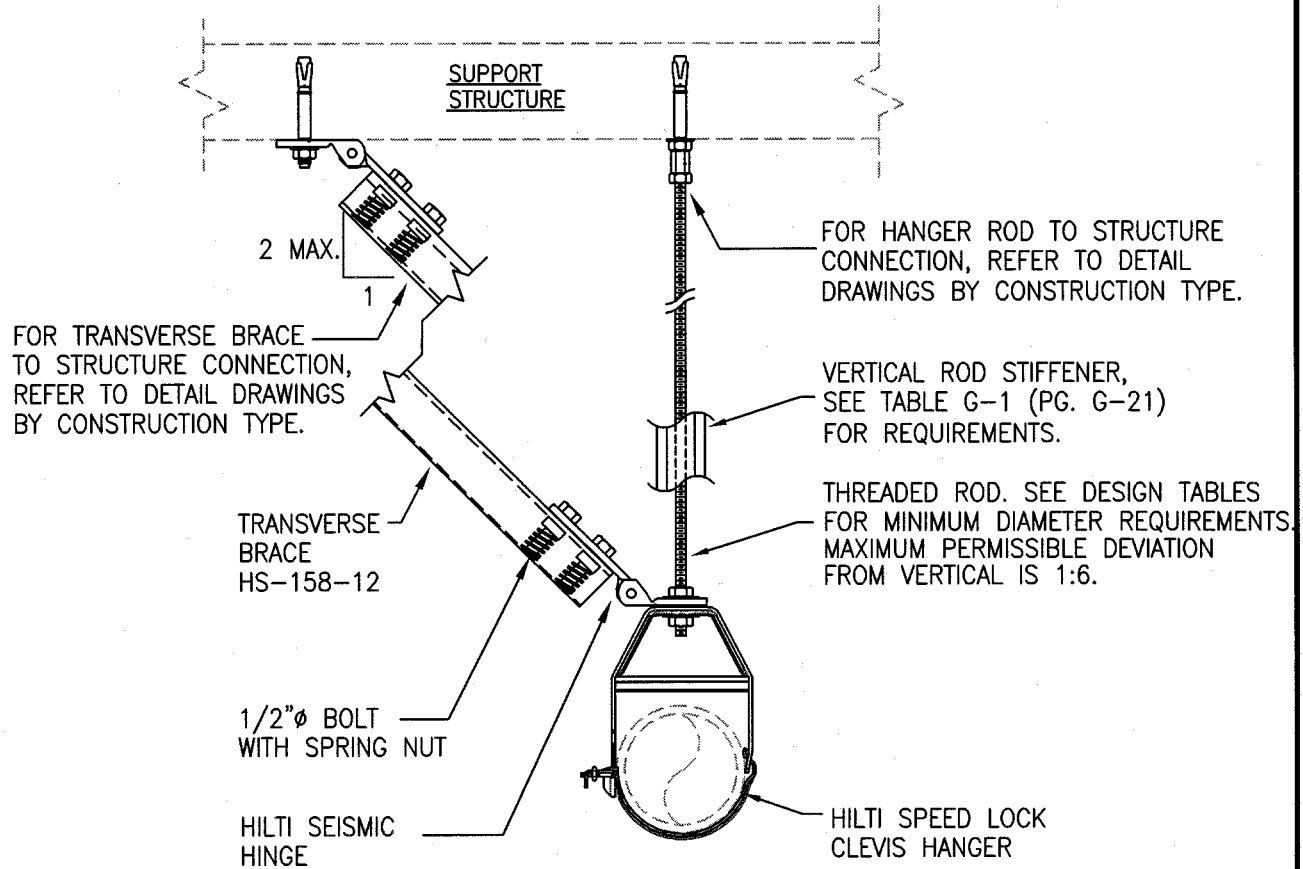
Raymond S. Pugliesi  
Structural Engineer  
California SE No. 3968

Page

**H-03**

**NOTE:**

WHEN USED IN CONJUNCTION WITH DETAIL H-10, THIS CONFIGURATION MAY NOT BE USED TO CARRY LONGITUDINAL SEISMIC LOADS.



DETAIL H-04 - SPEED LOCK CLEVIS HANGER  
(BRACED AT HANGER ROD)  
PIPE HANGER & BRACE  
INDIVIDUALLY SUPPORTED SYSTEMS

**A P P R O V E D**  
Fixed Equipment Anchorage  
Office of Statewide Health Planning and Development

**R- 0479**

**April 16, 2001**

\*\*\*\* Valid for 3 Years Maximum \*\*\*\*

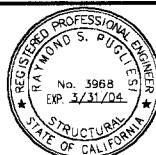


*Bill Staehlin*  
Bill Staehlin (916) 654-3362



INSTALLATION SYSTEMS

5400 S. 122nd East Ave.  
Tulsa, Oklahoma 74146  
Phone: 1-800-879-8000  
Fax: 1-800-879-7000  
www.us.hilti.com



*Raymond S. Pugliesi*

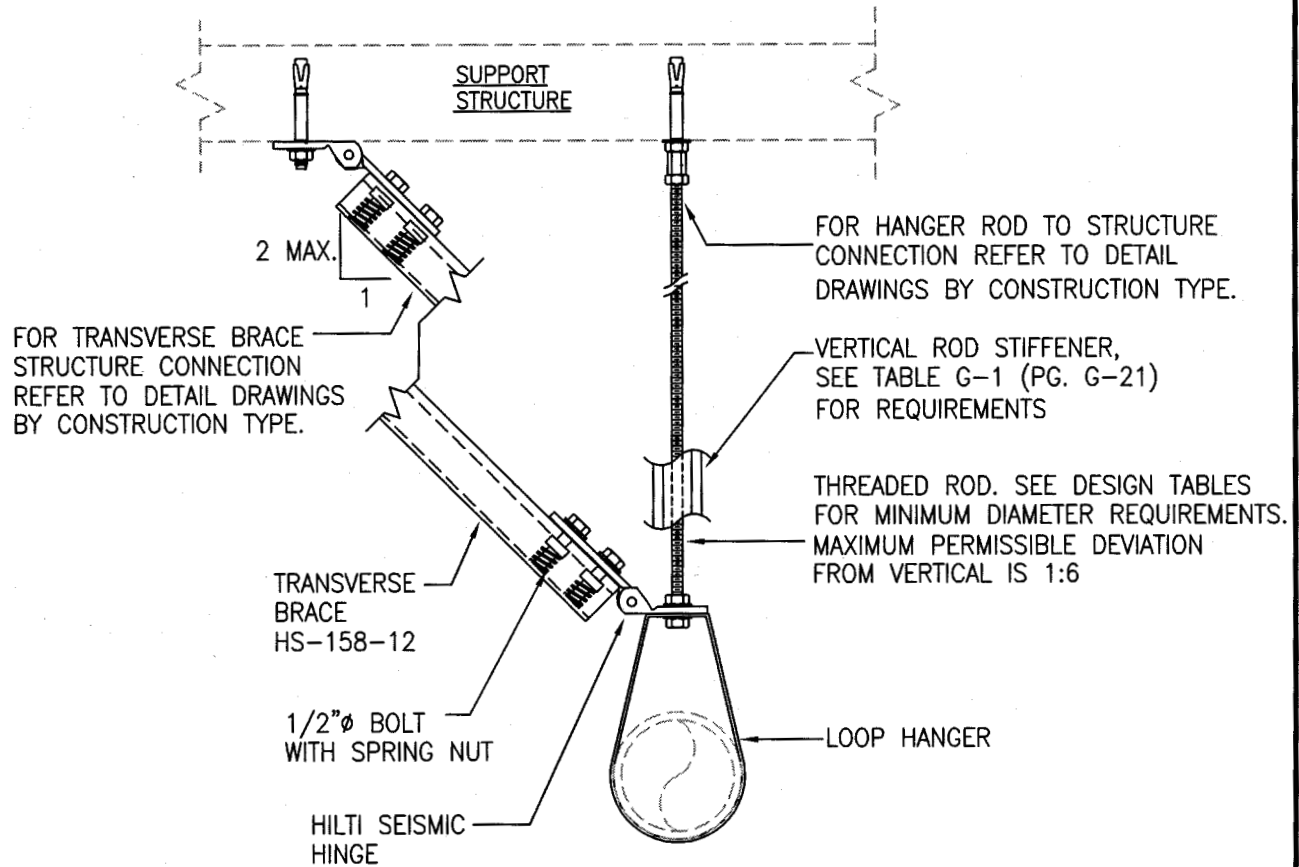
Raymond S. Pugliesi  
Structural Engineer  
California SE No. 3968

Page

**H-04**

**NOTE:**

WHEN USED IN CONJUNCTION WITH DETAIL H-10, THIS CONFIGURATION MAY NOT BE USED TO CARRY LONGITUDINAL SEISMIC LOADS.



DETAIL H-05 - LOOP HANGER  
PIPE HANGER & BRACE  
INDIVIDUALLY SUPPORTED SYSTEMS

**APPROVED**  
Fixed Equipment Anchorage  
Office of Statewide Health Planning and Development

**R-0479**      **April 16, 2001**

\*\*\*\* Valid for 3 Years Maximum \*\*\*\*



*Bill Staehlin*  
Bill Staehlin (916) 654-3362



INSTALLATION SYSTEMS

5400 S. 122nd East Ave.  
Tulsa, Oklahoma 74146  
Phone: 1-800-879-8000  
Fax: 1-800-879-7000  
www.us.hilti.com



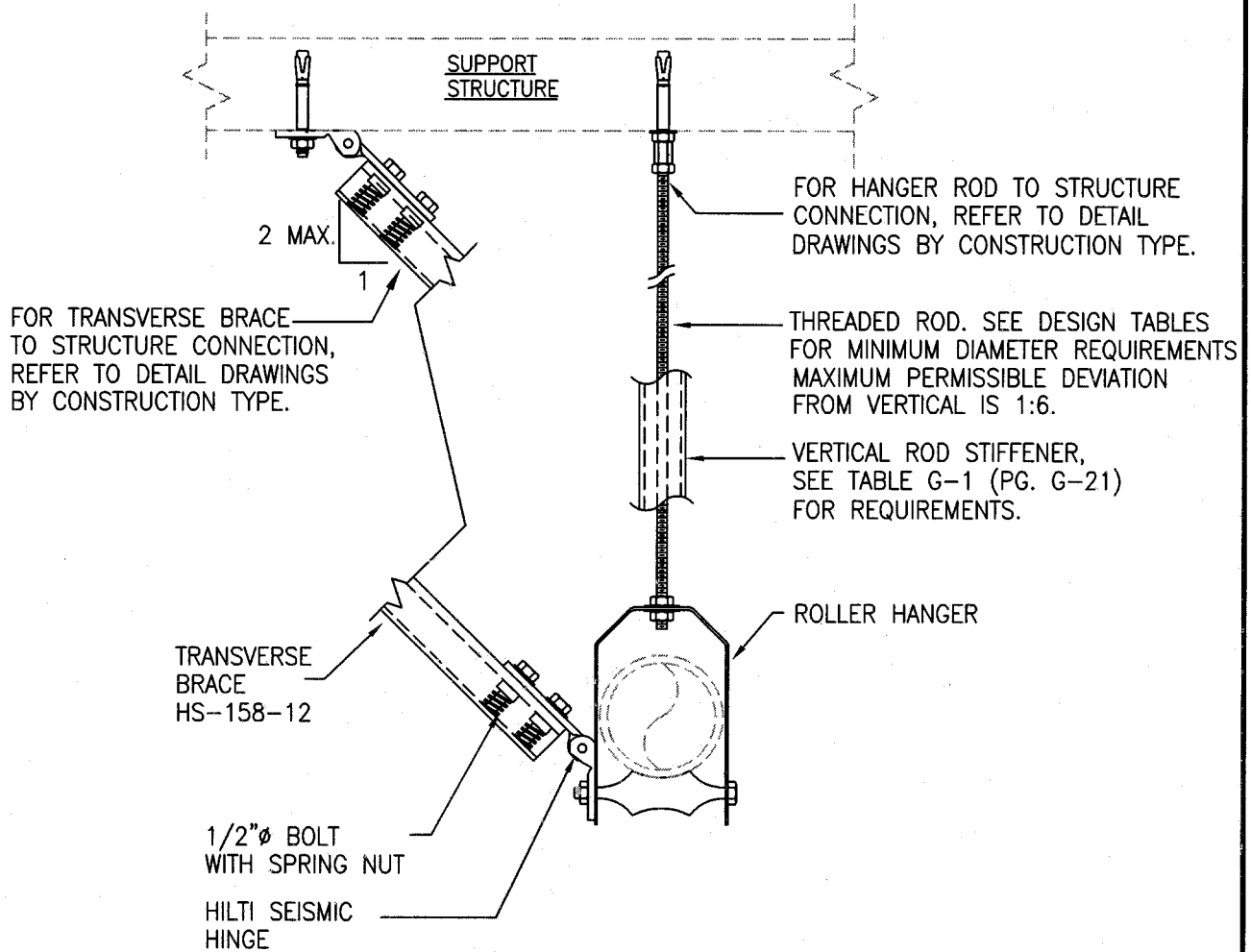
*Raymond S. Pugliesi*  
Raymond S. Pugliesi  
Structural Engineer  
California SE No. 3968

Page

**H-05**

**NOTE:**

WHEN USED IN CONJUNCTION WITH DETAIL H-10, THIS CONFIGURATION MAY NOT BE USED TO CARRY LONGITUDINAL SEISMIC LOADS.




**DETAIL H-06 - ROLLER HANGER  
(BRACED AT ROLLER AXLE)  
PIPE HANGER & BRACE  
INDIVIDUALLY SUPPORTED SYSTEMS**

**APPROVED**  
Fixed Equipment Anchorage  
Office of Statewide Health Planning and Development

**R- 0479**      **April 16, 2001**

\*\*\*\* Valid for 3 Years Maximum \*\*\*\*




*Bill Staehlin*  
Bill Staehlin (916) 654-3362



5400 S. 122nd East Ave.  
Tulsa, Oklahoma 74146  
Phone: 1-800-879-8000  
Fax: 1-800-879-7000  
www.us.hilti.com

INSTALLATION SYSTEMS

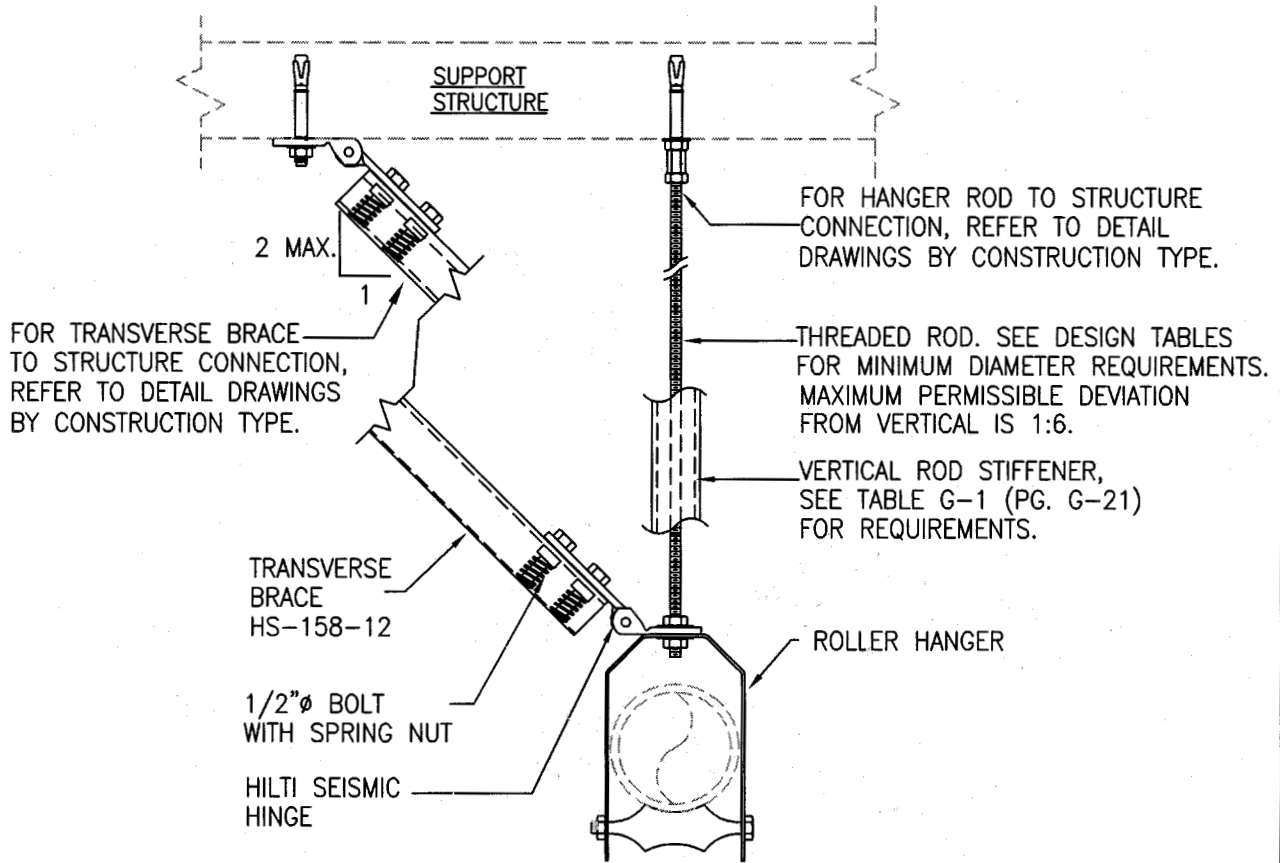


*Raymond S. Pugliesi*  
Raymond S. Pugliesi  
Structural Engineer  
California SE No. 3968

Page  
**H-06**

**NOTE:**

WHEN USED IN CONJUNCTION WITH DETAIL H-10, THIS CONFIGURATION MAY NOT BE USED TO CARRY LONGITUDINAL SEISMIC LOADS.



DETAIL H-07 - ROLLER HANGER  
(BRACED AT HANGER ROD)  
PIPE HANGER & BRACE  
INDIVIDUALLY SUPPORTED SYSTEMS

**APPROVED**  
Fixed Equipment Anchorage  
Office of Statewide Health Planning and Development

**R-0479**      **April 16, 2001**

\*\*\*\* Valid for 3 Years Maximum \*\*\*\*



*Bill Staehlin*  
Bill Staehlin (916) 654-3362



INSTALLATION SYSTEMS

5400 S. 122nd East Ave.  
Tulsa, Oklahoma 74146  
Phone: 1-800-879-8000  
Fax: 1-800-879-7000  
www.us.hilti.com



*Raymond S. Pugliese*

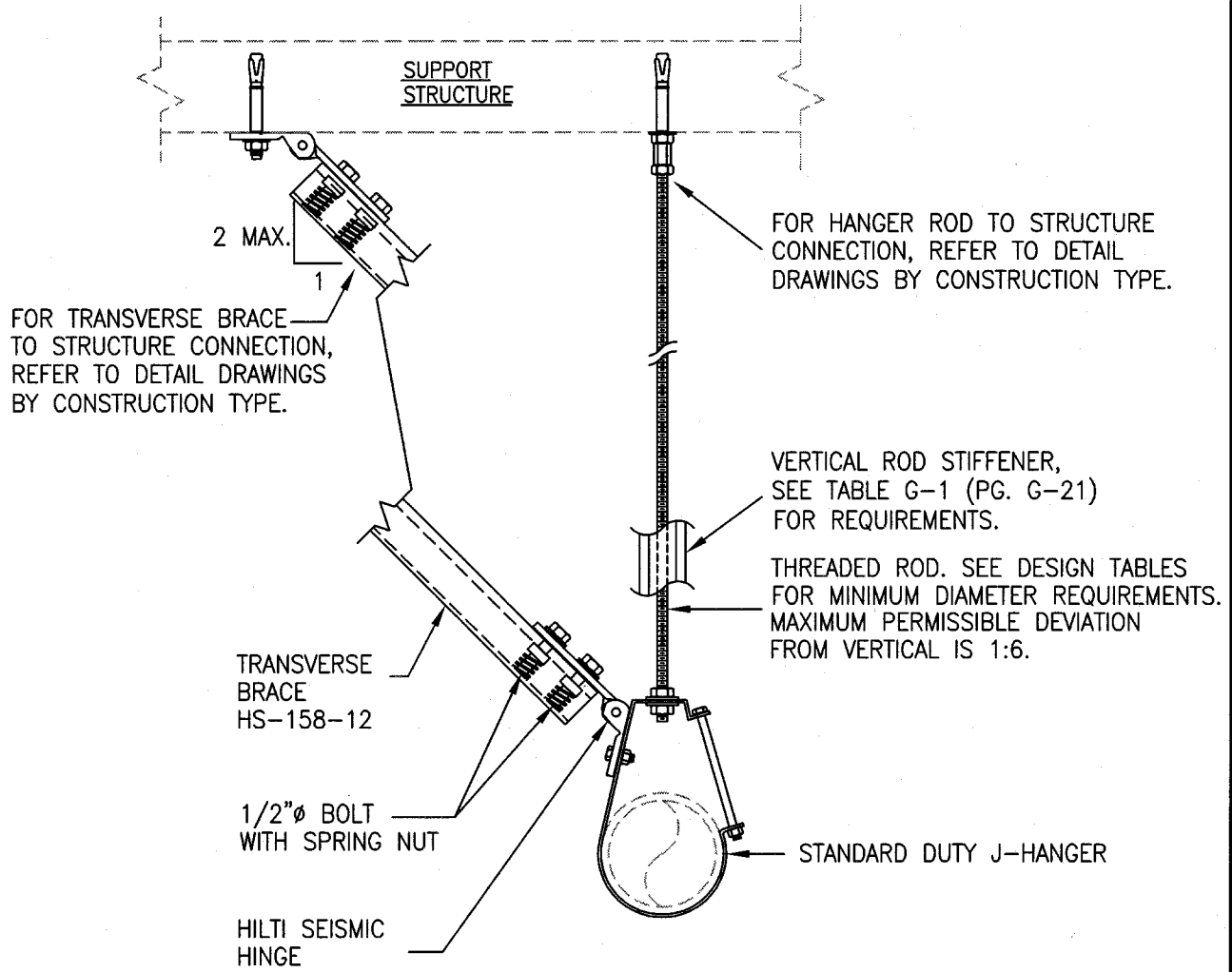
Raymond S. Pugliese  
Structural Engineer  
California SE No. 3968

Page

**H-07**

NOTE:

WHEN USED IN CONJUNCTION WITH DETAIL H-10, THIS CONFIGURATION MAY NOT BE USED TO CARRY LONGITUDINAL SEISMIC LOADS.



DETAIL H-08 - J-HANGER  
PIPE HANGER & BRACE  
INDIVIDUALLY SUPPORTED SYSTEMS

**A P P R O V E D**  
Fixed Equipment Anchorage  
Office of Statewide Health Planning and Development

**R-0479**      **April 16, 2001**

\*\*\*\* Valid for 3 Years Maximum \*\*\*\*

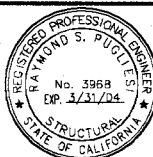


*Bill Staehlin*  
Bill Staehlin (916) 654-3362



5400 S. 122nd East Ave.  
Tulsa, Oklahoma 74146  
Phone: 1-800-879-8000  
Fax: 1-800-879-7000  
www.us.hilti.com

INSTALLATION SYSTEMS



*Raymond S. Pugliesi*  
Raymond S. Pugliesi  
Structural Engineer  
California SE No. 3968

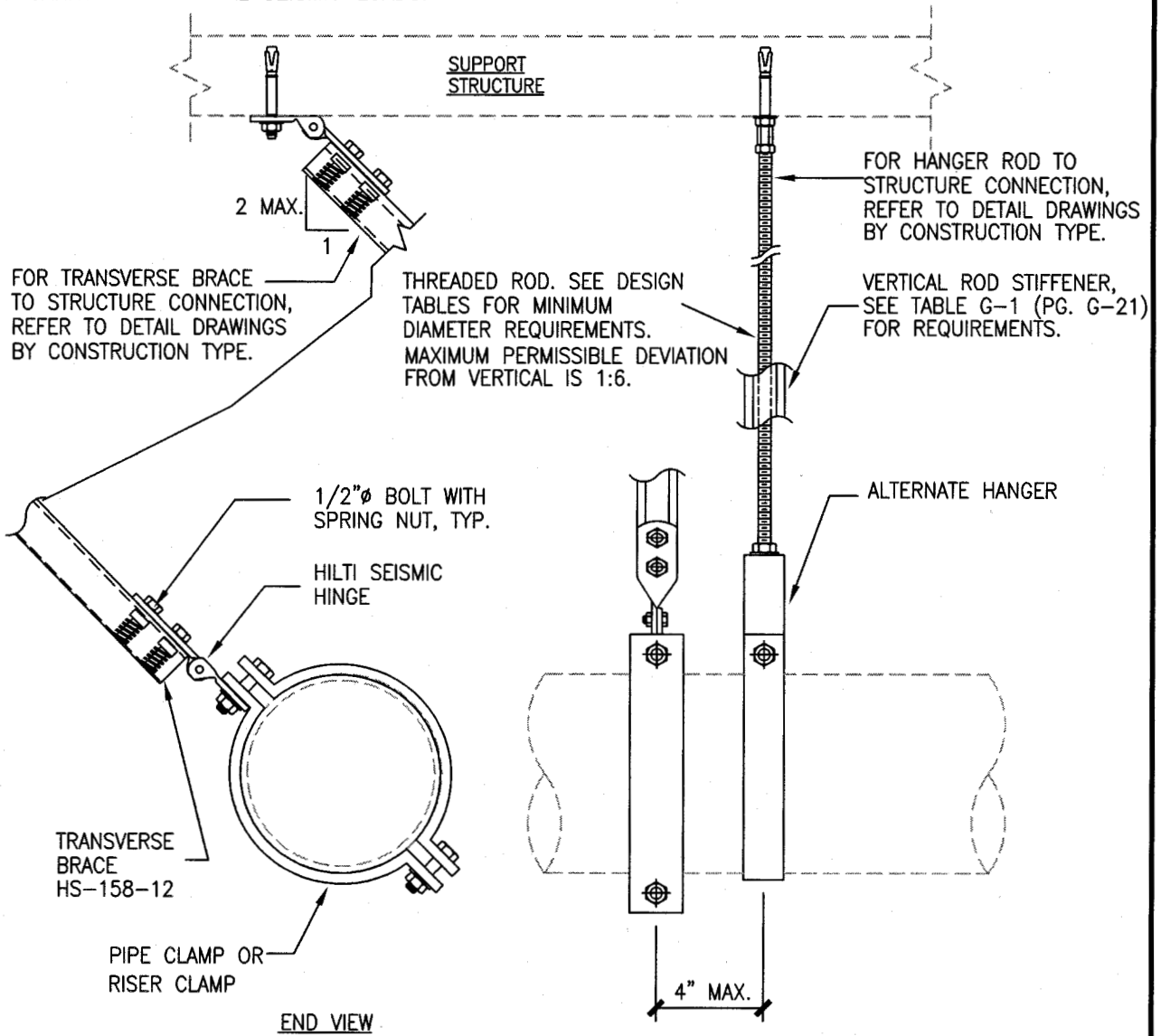
Page

**H-08**



**NOTE:**

WHEN USED IN CONJUNCTION WITH DETAIL H-10, THIS CONFIGURATION MAY BE USED TO CARRY LONGITUDINAL SEISMIC LOADS.



**DETAIL H-09 – TRANSVERSE BRACING  
PIPE HANGER & BRACE  
INDIVIDUALLY SUPPORTED SYSTEMS**

**APPROVED**  
Fixed Equipment Anchorage  
Office of Statewide Health Planning and Development

**R-0479**

**April 16, 2001**

\*\*\*\* Valid for 3 Years Maximum \*\*\*\*



*Bill Staehlin*  
Bill Staehlin (916) 654-3362



INSTALLATION SYSTEMS

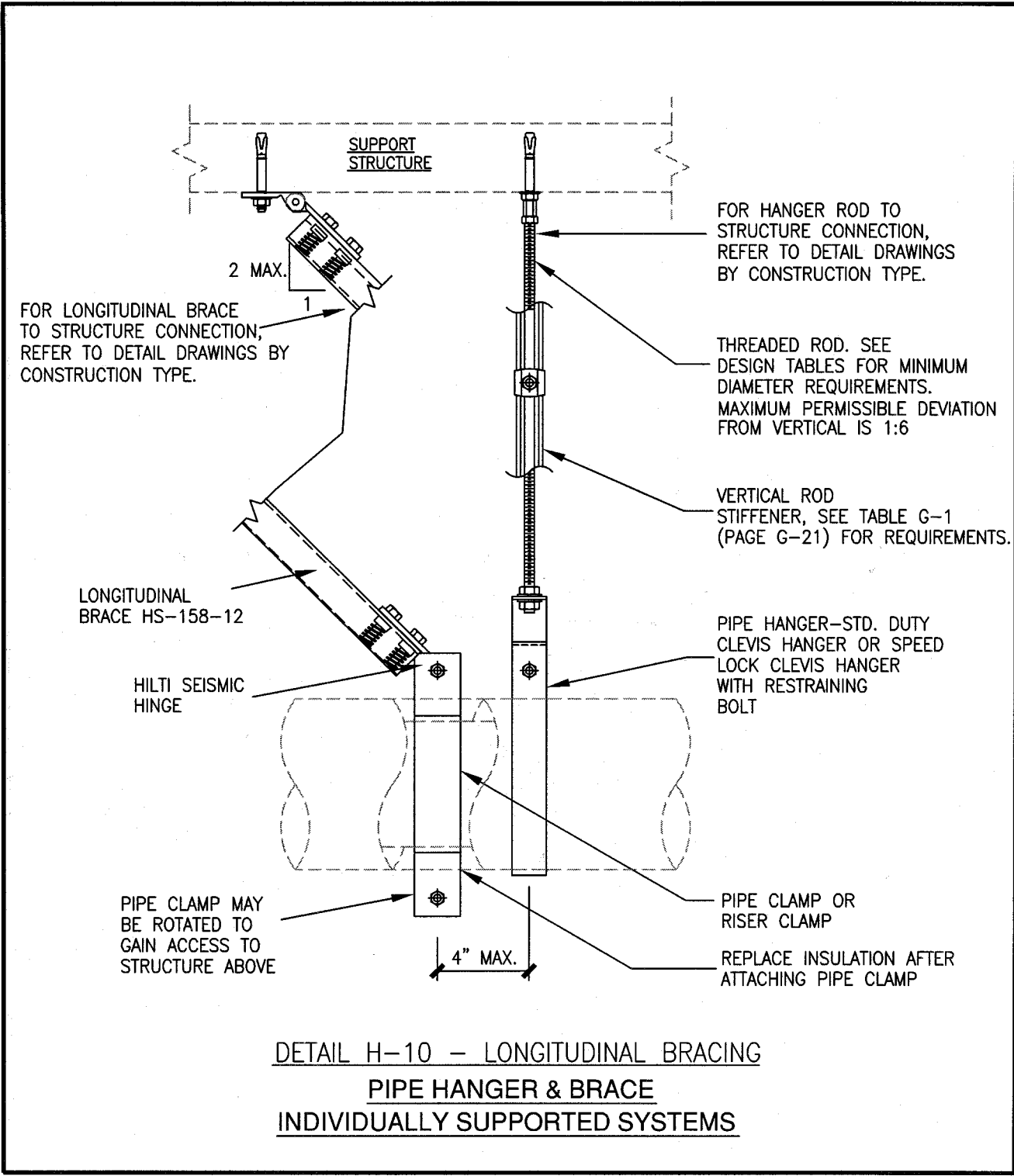
5400 S. 122nd East Ave.  
Tulsa, Oklahoma 74146  
Phone: 1-800-879-8000  
Fax: 1-800-879-7000  
www.us.hilti.com



*Raymond S. Pugliesi*  
Raymond S. Pugliesi  
Structural Engineer  
California SE No. 3968

Page

**H-09**



**APPROVED**  
Fixed Equipment Anchorage  
Office of Statewide Health Planning and Development

**R-0479**      **April 16, 2001**

\*\*\*\* Valid for 3 Years Maximum \*\*\*\*

*Bill Staehlin*  
Bill Staehlin (916) 654-3362

**HILTI**

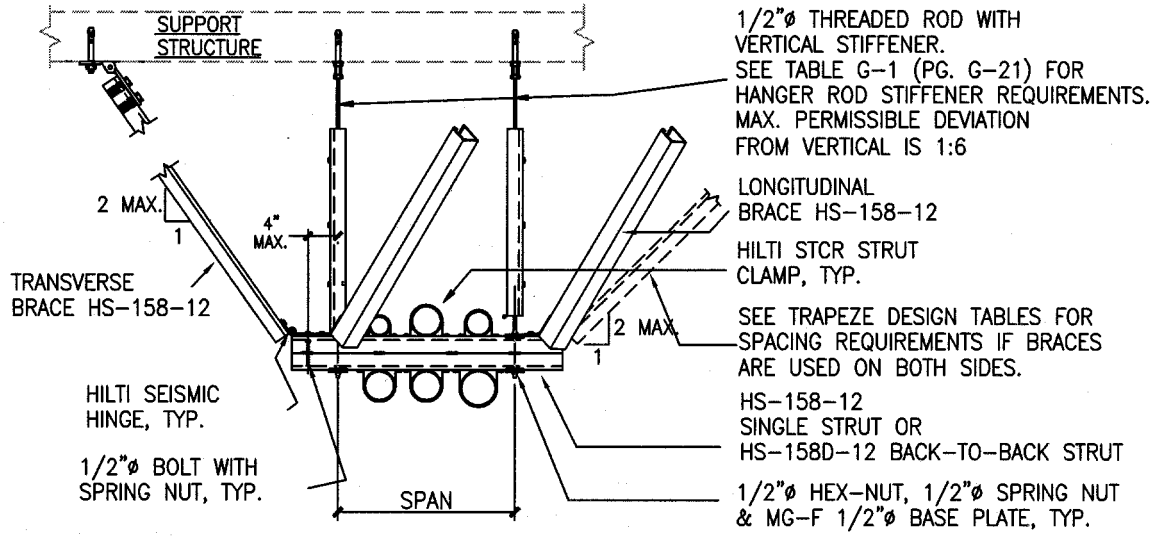
5400 S. 122nd East Ave.  
Tulsa, Oklahoma 74146  
Phone: 1-800-879-8000  
Fax: 1-800-879-7000  
www.us.hilti.com

INSTALLATION SYSTEMS

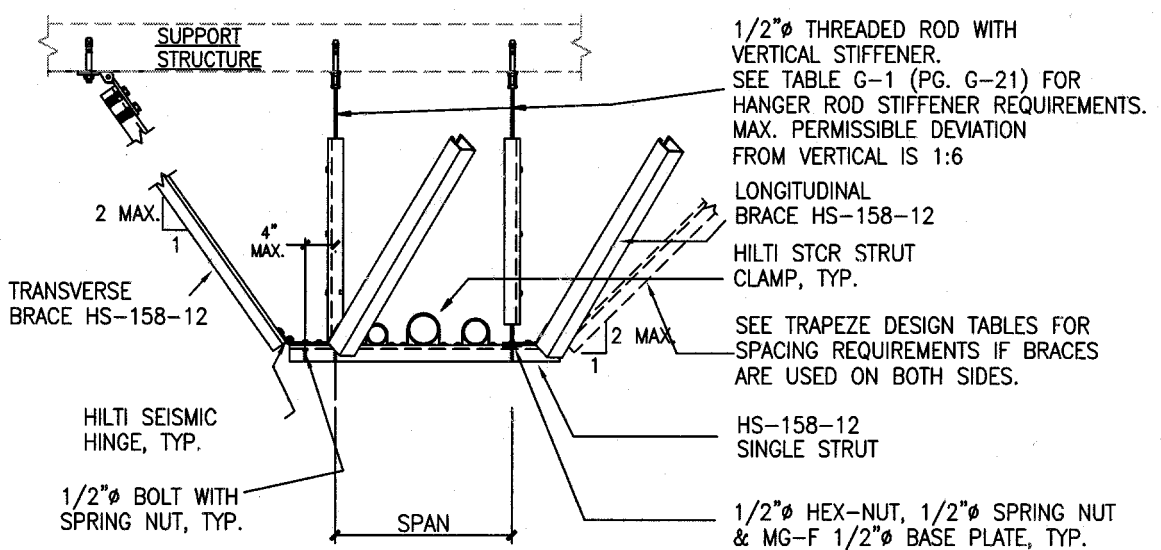
REGISTERED PROFESSIONAL ENGINEER  
RAYMOND S. PUGLIESI  
No. 3968  
EXP. 3/31/04  
STRUCTURAL  
STATE OF CALIFORNIA

*Raymond S. Pugliesi*  
Raymond S. Pugliesi  
Structural Engineer  
California SE No. 3968

Page  
**H-10**



CONFIGURATION A. TRAPEZE WITH BACK-TO-BACK STRUT




CONFIGURATION B. TRAPEZE WITH SINGLE STRUT

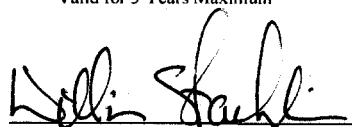
DETAIL H-11  
 PIPE HANGER AND BRACE  
 TRAPEZE SUPPORTED SYSTEMS

**A P P R O V E D**  
 Fixed Equipment Anchorage  
 Office of Statewide Health Planning and Development

**R- 0479**      **April 16, 2001**

\*\*\*\* Valid for 3 Years Maximum \*\*\*\*




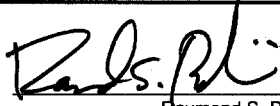
  
 Bill Staehlin      (916) 654-3362



5400 S. 122nd East Ave.  
 Tulsa, Oklahoma 74146  
 Phone: 1-800-879-8000  
 Fax: 1-800-879-7000  
 www.us.hilti.com

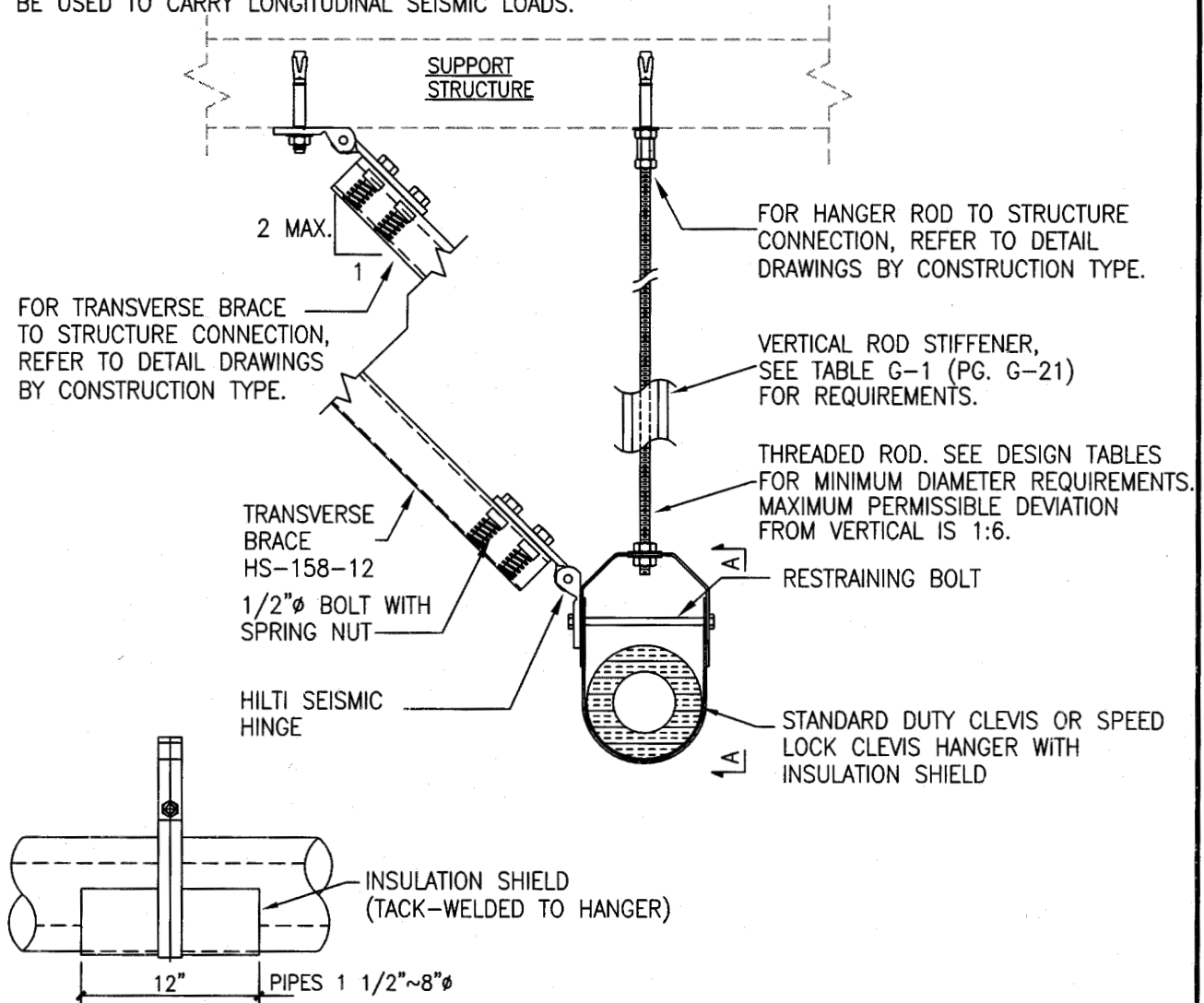
**INSTALLATION SYSTEMS**



  
 Raymond S. Pugliesi  
 Structural Engineer  
 California SE No. 3968

**NOTE:**

WHEN USED IN CONJUNCTION WITH DETAIL H-10, THIS CONFIGURATION MAY NOT BE USED TO CARRY LONGITUDINAL SEISMIC LOADS.



SECTION A-A

DETAIL H-12 - STANDARD DUTY OR SPEED LOCK CLEVIS HANGER  
(HANGER WITH SHIELD FOR INSULATED PIPES)  
PIPE HANGER & BRACE  
INDIVIDUALLY SUPPORTED SYSTEMS

**APPROVED**  
 Fixed Equipment Anchorage  
 Office of Statewide Health Planning and Development

**R-0479**

**April 16, 2001**

\*\*\*\* Valid for 3 Years Maximum \*\*\*\*



*Bill Staehlin*  
 Bill Staehlin (916) 654-3362



INSTALLATION SYSTEMS

5400 S. 122nd East Ave.  
 Tulsa, Oklahoma 74146  
 Phone: 1-800-879-8000  
 Fax: 1-800-879-7000  
 www.us.hilti.com



*Ray S. Pugliesi*  
 Raymond S. Pugliesi  
 Structural Engineer  
 California SE No. 3968

Page

**H-12**