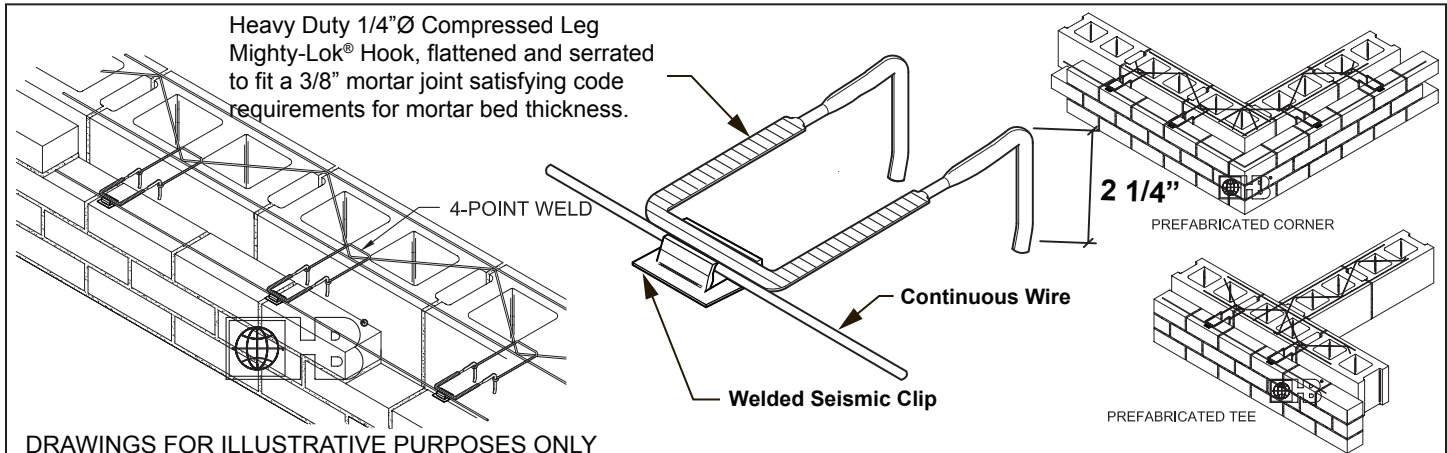


HOHMANN & BARNARD, INC.
a MiTek company

High Strength Reinforcement

170-ML Truss

Adjustable Eye-Wire featuring Mighty-Lok™ with Welded Seismic Clip



DRAWINGS FOR ILLUSTRATIVE PURPOSES ONLY

Hohmann & Barnard's Mighty-Lok Hook has been tested and designed to withstand over 290-lbf, in tension or compression, at maximum allowed offset (TMS 402/ACI 530 6.2.2.5.5.4) of 1 1/4" (disengagement of the pintle from the veneer anchor). These results exceed BIA recommendations and the capabilities of standard "round wire" hooks/pintles by over 100%, while maintaining the ASTM A1064/1064M wire specification.

EYE-WIRE WITH MIGHTY-LOK HOOKS (WORKING LOAD*)

CAVITY	0" OFFSET	1 1/4" OFFSET	2 1/4" OFFSET	TEST
4 1/2"	937#	470#	238#	TENSION
4 1/2"	1057#	448#	248#	COMPRESSION
7 1/2"	875#	446#	249#	TENSION
7 1/2"	950#	485#	239#	COMPRESSION

* WORKING LOAD DETERMINED AT .05" DEFLECTION

Tests were completed for 3" and 6" insulation with 1 1/2" air cavity.

MATERIAL CONFORMANCE

Hohmann & Barnard joint reinforcement products conform to:
ASTM A951/A951M (Standard Specification for Steel Wire for Masonry Joint Reinforcement)

ACI / ASCE 530 (Building Code Requirements for Masonry Structures)

Wire (Carbon Steel): Prefabricated from cold-drawn steel wire conforming to **ASTM A1064/A1064M**

Tensile Strength - 80,000 p.s.i. | Yield Point - 70,000 p.s.i. minimum
Zinc Coating:

Hot-Dip Galvanized after fabrication: **ASTM A153/A153M-B2** (1.5 oz/ft²)

Wire (Stainless Steel): **ASTM A580/ASTM 580M** - AISI Type 304 or Type 316

Wire Diameter: 9 gauge (.148" or W1.7) or 3/16"Ø (.187" or W2.8)
Side Rods and Cross Rods available in any combination of the above.
Eyes are 3/16"Ø, Cross Rods welded 16" O.C. First Cross Rods welded 12" in from each end to allow lap splices per code requirements.

Pintle Wire Diameter: Nominal 1/4"Ø Heavy Duty

Sheet Metal (Carbon Steel): **ASTM A1008/A1008M**

Zinc Coating: Hot-Dip Galvanized: **ASTM A153/A153M Class B** (1.5 oz/ft²) (sheet metal ties and anchors galvanized after fabrication)

Sheet Metal (Stainless Steel): **AISI Type 304 or 316**

ASTM A666, ASTM A480/A480M, and ASTM A240/A240M

Packaging: Packed 500' per bundle (50 pcs - 10' long)

H&B manufactures steel wire products from a minimum of 95% post-consumer recycled material.

Eye-Wire Finish:

Hot-Dip Galvanized | Stainless Steel Type 304 Type 316

Note: H&B recommends Stainless Steel for maximum protection against corrosion.

Eye-Wire Size:

(S) Standard Weight: 9 GA Side Rods x 9 GA Cross Rods

(EH) Extra Heavy: 3/16"Ø Side Rods x 9 GA Cross Rods

(SHD) Super Heavy Duty: 3/16"Ø Side Rods x 3/16"Ø Cross Rods

Block Size: (Std. sizes: 4" - 16" wall, other widths available on special request.)

4" 6" 8" 10" 12" 14" 16"

Note: State cavity and/or insulation thickness when ordering.

1/4"Ø Mighty Lok® Hook with Welded Seismic Clip Finish:

Hot-Dip Galvanized | Stainless Steel Type 304 Type 316

1/4"Ø Mighty Lok® Hook with Welded Seismic Clip Length:

3" 4" 4 3/4" 5 1/4" Custom _____

Continuous Wire Finish:

Hot-Dip Galvanized | Stainless Steel Type 304 Type 316

Continuous Wire Diameter: 9 ga. 3/16"Ø

IMPORTANT: Since each construction project is unique, the appropriate selection and use of any product contained herein must be determined by competent architects, engineers and other appropriate professionals who are familiar with the specific requirements of the project in question.

HOHMANN & BARNARD, Inc.
CORPORATE HEADQUARTERS
30 Rasons Court | Hauppauge, NY 11788
T: 800.645.0616 F: 631.234.0683
www.h-b.com

Branch/Subsidiary Locations:
ALABAMA - ILLINOIS - MARYLAND
NEW YORK - PENNSYLVANIA - TEXAS
UTAH - CANADA

© HOHMANN & BARNARD, INC. - 2016