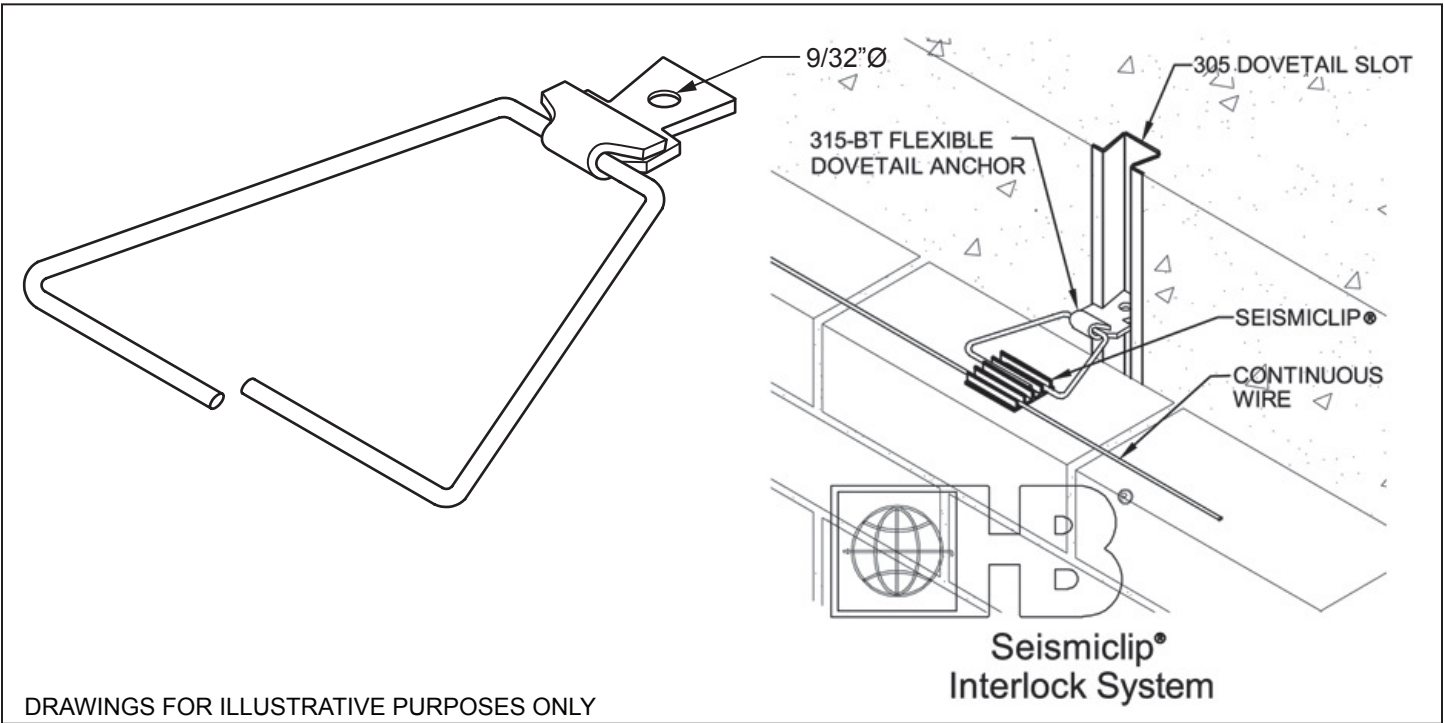


Seismic Anchors and Ties

315-BT-S.I.S.

Flexible Dovetail Brick Tie w/Seismicclip® Interlock System



DRAWINGS FOR ILLUSTRATIVE PURPOSES ONLY

315-BT Flexible Dovetail Brick Tie fitted with a Vee Byna-Tie® for use with the Seismicclip Interlock System

MATERIAL CONFORMANCE

Wire (Carbon Steel): Prefabricated from cold-drawn steel wire conforming to **ASTM A1064/A1064M**

Tensile Strength - 80,000 psi | Yield Point - 70,000 psi minimum

Zinc Coating:

Hot-Dip Galvanized after fabrication: **ASTM A153/A153M-B** (1.5 oz/ft²)

Note: Hohmann & Barnard will certify to a minimum of 2.0 oz/ft²

Wire (Stainless Steel):

ASTM A580/A580M - AISI Type 304 or Type 316

Sheet Metal (Carbon Steel): ASTM A1008/A1008M

Zinc Coating:

Hot-Dip Galvanized: **ASTM A153/A153M Class B** (1.5 oz/ft²)

(sheet metal ties and anchors galvanized after fabrication)

Note: Hohmann & Barnard will certify to a minimum of 2.0 oz/ft²

Sheet Metal (Stainless Steel): ASTM A666, ASTM A480/480M, and

ASTM A240/A240M - AISI Type 304 or Type 316

Seismicclip®: Impact-resistant, rigid polyvinyl chloride tested in conformance with: **ASTM D1781** (Cell Classification), **ASTM D2240** (Hardness Shore D), **ASTM D638** (Tensile Yield & Modulus), **ASTM D790** (Flexural Strength & Modulus)

Vee Byna-Tie® portion manufactured from a minimum of 95% recycled material.

Finish:

Hot-Dip Galv. | Stainless Steel: Type 304 Type 316

Note: Hohmann & Barnard recommends Stainless Steel for maximum protection against corrosion.

Dovetail Head Thickness:

12 Gauge (standard)

Vee Byna-Tie® Length:

3" 3 1/2" 4" 4 1/2"
 5" Other _____

Vee Byna-Tie® Diameter:

3/16"Ø (standard) 1/4"Ø (heavy-duty)

Continuous Wire:

9 Gauge 3/16"Ø

315 - Flexible Dovetail Brick Tie is manufactured for use with Hohmann & Barnard 305 Dovetail Slot.

H&B is not responsible for incompatibility if ties or slots are interchanged with those of other manufacturers.

IMPORTANT: Since each construction project is unique, the appropriate selection and use of any product contained herein must be determined by competent architects, engineers and other appropriate professionals who are familiar with the specific requirements of the project in question. This drawing and/or data sheet is the confidential and proprietary information of Hohmann & Barnard, Inc. and is not to be reproduced, copied or disclosed, in whole or in part, without the prior written consent of H&B.