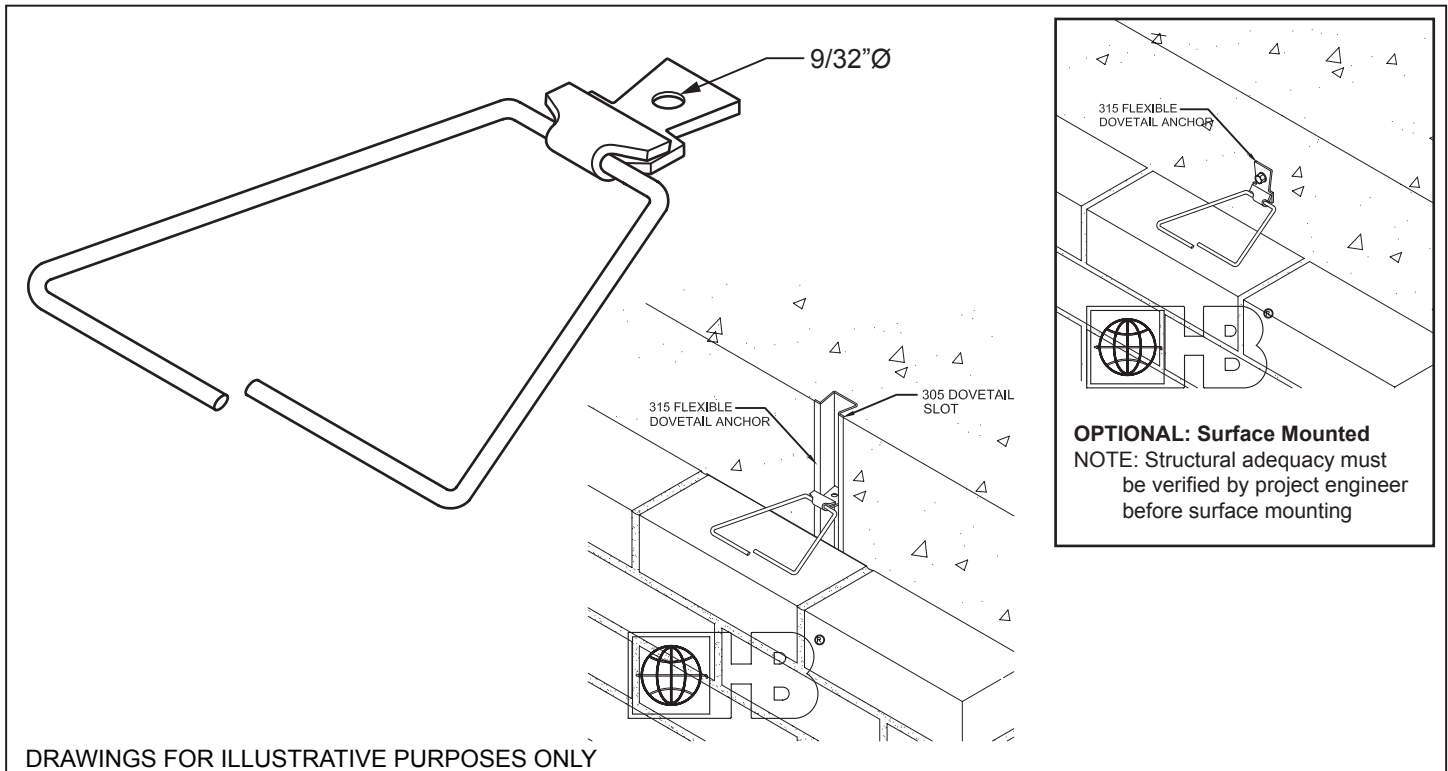


HOHMANN & BARNARD, INC.
a MiTek company

Dovetail Anchors, Slots & Ties

315 - Flexible Dovetail Brick Tie



DRAWINGS FOR ILLUSTRATIVE PURPOSES ONLY

315 Flexible Dovetail Brick Tie permits horizontal and vertical movement of the masonry wall while, restraining tension and compression. For use with 305 Dovetail Slot or surface mounted to concrete or block to block or brick.

MATERIAL CONFORMANCE

Wire (Carbon Steel): Prefabricated from cold-drawn steel wire conforming to **ASTM A1064/A1064M**
Tensile Strength - 80,000 p.s.i. | Yield Point - 70,000 p.s.i. minimum
Zinc Coating:
Hot-Dip Galvanized: **ASTM A153/A153M Class B** (1.5 oz/ft²) (sheet metal ties and anchors galvanized after fabrication)

Wire (Stainless Steel):
ASTM A580/A580M - AISI Type 304 (Type 316 available on special order)

Sheet Metal (Carbon Steel):
ASTM A1008/A1008M
Zinc Coating:
Hot-Dip Galvanized (refer to wire conformance above)

Sheet Metal (Stainless Steel):
ASTM A666, ASTM A480/480M, and ASTM A240/A240M AISI Type 304 or 316

Vee Byna-Tie® portion manufactured from a minimum of 95% post-consumer recycled material.

Finish:

- Hot-Dip Galvanized
- Stainless Steel - Type 304
- Stainless Steel - Type 316 (available on special order)

Note: Hohmann & Barnard recommends Stainless Steel for maximum protection against corrosion.

Dovetail Head Thickness:

- 12 Gauge

Vee Byna-Tie® Length:

- 3" 3 1/2" 4" 4 1/2"
- 5" Other _____

Vee Byna-Tie® Diameter:

- 3/16"Ø (standard) 1/4"Ø (heavy-duty)

315 - Flexible Dovetail Brick Tie is manufactured for use with Hohmann & Barnard 305 Dovetail Slot.

H&B is not responsible for incompatibility if ties or slots are interchanged with those of other manufacturers.

IMPORTANT: Since each construction project is unique, the appropriate selection and use of any product contained herein must be determined by competent architects, engineers and other appropriate professionals who are familiar with the specific requirements of the project in question. This drawing and/or data sheet is the confidential and proprietary information of Hohmann & Barnard, Inc. and is not to be reproduced, copied or disclosed, in whole or in part, without the prior written consent of H&B.

HOHMANN & BARNARD, Inc.
CORPORATE HEADQUARTERS
30 Rasons Court | Hauppauge, NY 11788
T: 800.645.0616 F: 631.234.0683
www.h-b.com

Branch/Subsidiary Locations:
ALABAMA - ARIZONA - ILLINOIS
MARYLAND - NEW YORK
PENNSYLVANIA - TEXAS - UTAH
CANADA

© 2013-2019 MiTek®